

Built-in Oven

User manual



BIM 25300 XS

EN | CZ | SK

285.4463.54/R.AA/07.06.2018

Please read this user manual first!

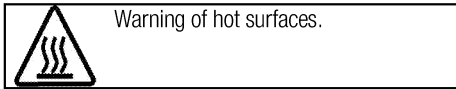
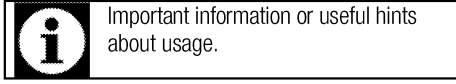
Dear Customer,

Thank you for purchasing this Beko product. We hope that you get the best results from your product which has been manufactured with high quality and state-of-the-art technology. Therefore, please read this entire user manual and all other accompanying documents carefully before using the product and keep it as a reference for future use. If you handover the product to someone else, give the user manual as well. Follow all warnings and information in the user manual.

Remember that this user manual is also applicable for several other models. Differences between models will be identified in the manual.

Explanation of symbols

Throughout this user manual the following symbols are used:



Arçelik A.Ş.
Karaağaç caddesi No:2-6
34445 Sütlüce/İstanbul/TURKEY
Made in TURKEY

CE

This product was manufactured using the latest technology in environmentally friendly conditions.

TABLE OF CONTENTS

1 Important instructions and warnings for safety and environment 4

General safety	4
Electrical safety	4
Product safety	5
Intended use	7
Safety for children.....	7
Disposing of the old product.....	8
Package information	8
Future Transportation.....	8

2 General information 9

Overview	9
Package contents	10
Technical specifications	11

3 Installation 12

Before installation	12
Installation and connection	14

4 Preparation 16

Tips for saving energy	16
Initial use.....	16
Time setting	16
First cleaning of the appliance	16
Initial heating.....	16

5 How to operate the oven 18

General information on baking, roasting and grilling	18
How to operate the electric oven	18
Operating modes.....	19
Using the oven clock	20
Cooking times table.....	22
How to operate the grill.....	23
Cooking times table for grilling.....	23

6 Maintenance and care 24

General information.....	24
Cleaning the control panel	24
Cleaning the oven	24
Removing the oven door	25
Removing the door inner glass	25
Replacing the oven lamp.....	26

7 Troubleshooting 27

1 Important instructions and warnings for safety and environment

This section contains safety instructions that will help protect from risk of personal injury or property damage. Failure to follow these instructions shall void any warranty.

General safety

- This appliance can be used by children aged from 8 years and above and persons with reduced physical, sensory or mental capabilities or lack of experience and knowledge if they have been given supervision or instruction concerning use of the appliance in a safe way and understand the hazards involved.

Children shall not play with the appliance. Cleaning and user maintenance shall not be made by children without supervision.

- The appliance is not to be used by persons (including children) with reduced physical, sensory or mental capabilities, or lack of experience and knowledge, unless they have been given supervision or instruction. Children should be supervised and ensure they do not play with the appliance
- If the product is handed over to someone else for personal use or second-hand use purposes, the

user manual, product labels and other relevant documents and parts should be also given.

- Installation and repair procedures must always be performed by Authorised Service Agents. The manufacturer shall not be held responsible for damages arising from procedures carried out by unauthorised persons which may also void the warranty. Before installation, read the instructions carefully.
- Do not operate the product if it is defective or has any visible damage.
- Ensure that the product function knobs are switched off after every use.

Electrical safety

- If the product has a failure, it should not be operated unless it is repaired by an Authorised Service Agent. There is the risk of electric shock!
- Only connect the product to a grounded outlet/line with the voltage and protection as specified in the “Technical specifications”. Have the grounding installation made by a qualified electrician while using the product with or without a

transformer. Our company shall not be liable for any problems arising due to the product not being earthed in accordance with the local regulations.

- Never wash the product by spreading or pouring water onto it! There is the risk of electric shock!
- Never touch the plug with wet hands! Never unplug by pulling on the cable, always pull out by holding the plug.
- The product must be disconnected during installation, maintenance, cleaning and repairing procedures.
- If the power connection cable for the product is damaged, it must be replaced by the manufacturer, its service agent or similarly qualified persons in order to avoid a hazard.
- The appliance must be installed so that it can be completely disconnected from the mains supply. The separation must be provided by a switch built into the fixed electrical installation, according to construction regulations.
- Rear surface of the oven gets hot when it is in use. Make sure that the electrical connection does not contact the rear surface; otherwise, connections can get damaged.

- Do not trap the mains cable between the oven door and frame and do not route it over hot surfaces. Otherwise, cable insulation may melt and cause fire as a result of short circuit.
- Any work on electrical equipment and systems should only be carried out by authorised and qualified persons.
- In case of any damage, switch off the product and disconnect it from the mains. To do this, turn off the fuse at home.
- Make sure that fuse rating is compatible with the product.

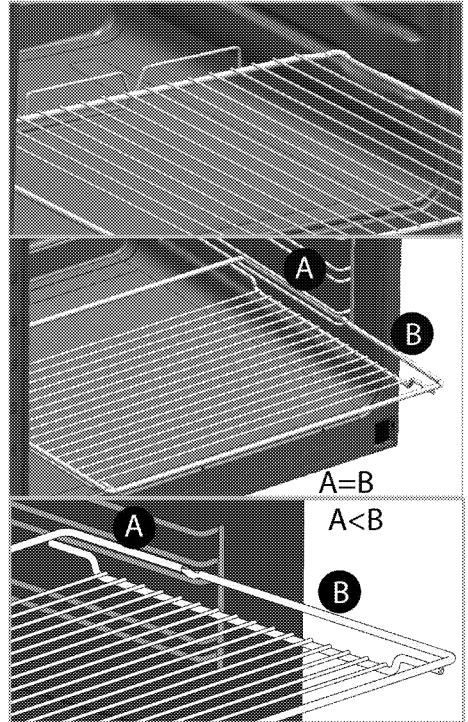
Product safety

- **WARNING:** The appliance and its accessible parts become hot during use. Care should be taken to avoid touching heating elements. Children less than 8 years of age shall be kept away unless continuously supervised.
- Never use the product when your judgment or coordination is impaired by the use of alcohol and/or drugs.
- Be careful when using alcoholic drinks in your dishes. Alcohol evaporates at high temperatures and may cause fire since it can ignite when it comes into contact with hot surfaces.
- **Food Poisoning Hazard:** Do not let food sit in oven for more than 1

hour before or after cooking. Doing so can result in food poisoning or sickness.

- Do not place any flammable materials close to the product as the sides may become hot during use.
- During use the appliances becomes hot. Care should be taken to avoid touching heating elements inside the oven.
- Keep all ventilation slots clear of obstructions.
- Do not heat closed tins and glass jars in the oven. The pressure that would build-up in the tin/jar may cause it to burst.
- Do not place baking trays, dishes or aluminium foil directly onto the bottom of the oven. The heat accumulation might damage the bottom of the oven.
- Do not use harsh abrasive cleaners or sharp metal scrapers to clean the oven door glass since they can scratch the surface, which may result in shattering of the glass.
- Do not use steam cleaners to clean the appliance as this may cause an electric shock.
- (Varies depending on the product model.)
Placing the wire shelf and tray onto the wire racks properly

It is important to place the wire shelf and/or tray onto the rack properly. Slide the wire shelf or tray between 2 rails and make sure that it is balanced before placing food on it (Please see the following figure).



- Do not use the product if the front door glass removed or cracked.
- Do not use the oven handle to hang towels for drying. Do not hang up towel, gloves, or similar textile products when the grill function is at open door.
- Always use heat resistant oven gloves when putting in or removing dishes into/from the hot oven.

- Place the baking paper into the cooking pot or on to the oven accessory (tray, wire grill etc) together with the food and then insert all into the preheated oven. Remove the excess parts of the baking paper overflowing from the accessory or the pot in order to prevent the risk of touching the oven's heating elements. Never use the baking paper in an operating temperature higher than the indicated value for the baking paper. Do not place the baking paper directly on the base of the oven.
- **WARNING:** Ensure that the appliance is switched off before replacing the lamp to avoid the possibility of electric shock.
- The appliance must not be installed behind a decorative door in order to avoid overheating.

Prevention against possible fire risk!

- Ensure all electrical connections are secure and tight to prevent risk of arcing.
- Do not use damaged cables or extension cables.
- Ensure liquid or moisture is not accessible to the electrical connection point.

Intended use

- This product is designed for domestic use. Commercial use will void the guarantee.

- This appliance is for cooking purposes only. It must not be used for other purposes, for example room heating.
- This product should not be used for warming the plates under the grill, drying towels, dish cloths etc. by hanging them on the oven door handles. This product should also not be used for room heating purposes.
- The manufacturer shall not be liable for any damage caused by improper use or handling errors.
- The oven can be used for defrosting, baking, roasting and grilling food.

Safety for children

- **WARNING:** Accessible parts may become hot during use. Young children should be kept away.
- The packaging materials will be dangerous for children. Keep the packaging materials away from children. Please dispose of all parts of the packaging according to environmental standards.
- Electrical products are dangerous to children. Keep children away from the product when it is operating and do not allow them to play with the product.
- Do not place any items above the appliance that children may reach for.

- When the door is open, do not load any heavy object on it and do not allow children to sit on it. It may overturn or door hinges may get damaged.

Disposing of the old product

Compliance with the WEEE Directive and Disposing of the Waste Product:



This product complies with EU WEEE Directive (2012/19/EU). This product bears a classification symbol for waste electrical and electronic equipment (WEEE).

This product has been manufactured with high quality parts and materials which can be reused and are suitable for recycling. Do not dispose of the waste product with normal domestic and other wastes at the end of its service life. Take it to the collection center for the recycling of electrical and electronic equipment. Please consult your local authorities to learn about these collection centers.

Compliance with RoHS Directive:

The product you have purchased complies with EU RoHS Directive (2011/65/EU). It does not contain harmful and prohibited materials specified in the Directive.

Package information

- Packaging materials of the product are manufactured from recyclable materials in accordance with our National Environment Regulations. Do not dispose of the packaging materials together with the domestic or other wastes. Take them to the packaging material collection points designated by the local authorities.

Future Transportation

- Keep the product's original carton and transport the product in it. Follow the instructions on the carton. If you do not have the original carton, pack the product in bubble wrap or thick cardboard and tape it securely.
- To prevent the wire grill and tray inside the oven from damaging the oven door, place a strip of cardboard onto the inside of the oven door that lines up with the position of the trays. Tape the oven door to the side walls.
- Do not use the door or handle to lift or move the product.



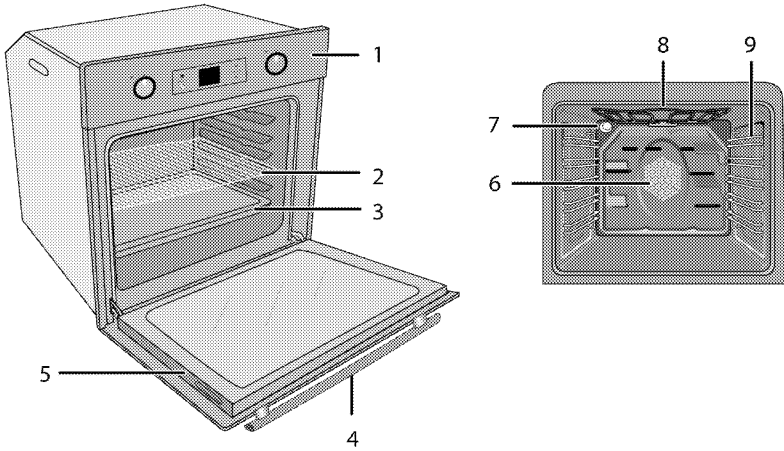
Do not place any objects onto the product and move it in upright position.



Check the general appearance of your product for any damages that might have occurred during transportation.

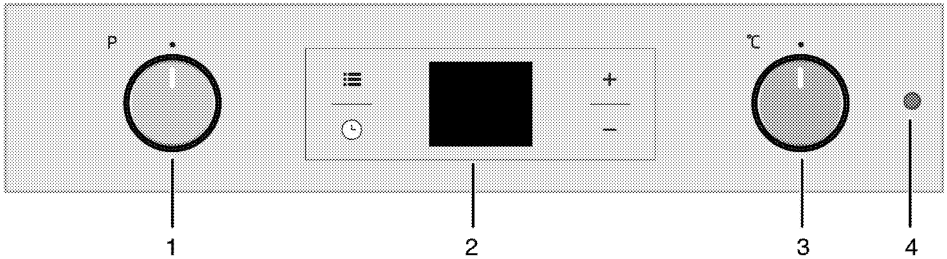
2 General information

Overview



- 1 Control panel
- 2 Wire shelf
- 3 Tray
- 4 Handle
- 5 Door

- 6 Fan motor (behind steel plate)
- 7 Lamp
- 8 Top heating element
- 9 Shelf positions



- 1 Function knob
- 2 Digital timer
- 3 Thermostat knob
- 4 Thermostat lamp

Package contents

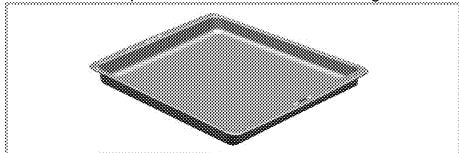


Accessories supplied can vary depending on the product model. Not every accessory described in the user manual may exist on your product.

1. **User manual**

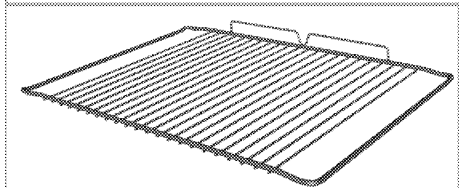
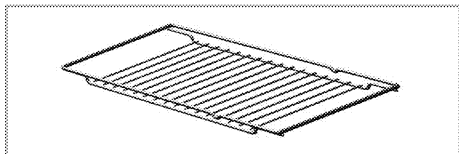
2. **Oven tray**

Used for pastries, frozen foods and big roasts.



3. **Wire Shelf**

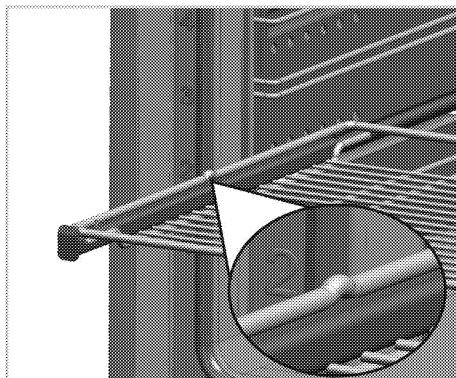
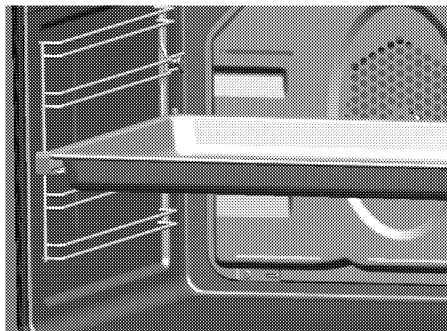
Used for roasting and for placing the food to be baked, roasted or cooked in casserole dishes to the desired rack.



4. **Placing the wire shelf and tray onto the telescopic racks properly**
(This feature is optional. It may not exist on your product.)

Telescopic racks allow you to install and remove the trays and wire shelf easily.

When using the tray and wire shelf with telescopic racks, make sure that the pins at the rear section of the telescopic rack stands against the edges of the wire shelf and tray.



Technical specifications

Voltage / frequency	220-240 V ~ 50 Hz
Total power consumption	2.5 kW
Fuse	16 A
Cable type / section	min.H05W-FG 3 x 1,5 mm ²
External dimensions (height / width / depth)	595 mm/594 mm/567 mm
Installation dimensions (height / width / depth)	**590 or 600 mm/560 mm/min. 550 mm
Main oven	Multifunction oven
Inner lamp	15/25 W
Grill power consumption	2.2 kW

Basics: Information on the energy label of electrical ovens is given in accordance with the EN 60350-1 / IEC 60350-1 standard. Those values are determined under standard load with bottom-top heater or fan assisted heating (if any) functions.
Energy efficiency class is determined in accordance with the following prioritization depending on whether the relevant functions exist on the product or not. 1-Cooking with eco-fan, 2- Turbo slow cooking, 3- Turbo cooking, 4- Fan assisted bottom/top heating, 5-Top and bottom heating.

** See. *Installation*, page 12.



Technical specifications may be changed without prior notice to improve the quality of the product.



Figures in this manual are schematic and may not exactly match your product.



Values stated on the product labels or in the documentation accompanying it are obtained in laboratory conditions in accordance with relevant standards. Depending on operational and environmental conditions of the product, these values may vary.

3 Installation

Product must be installed by a qualified person in accordance with the regulations in force. The manufacturer shall not be held responsible for damages arising from procedures carried out by unauthorized persons which may also void the warranty.



Preparation of location and electrical installation for the product is under customer's responsibility.



DANGER:

The product must be installed in accordance with all local electrical regulations.



DANGER:

Prior to installation, visually check if the product has any defects on it. If so, do not have it installed.

Damaged products cause risks for your safety.

Before installation

The appliances must not be installed behind a decorative door in order to avoid overheating. The appliance is intended for installation in commercially available kitchen cabinets. A safety distance must be left between the appliance and the kitchen walls and furniture. See figure (values in mm).

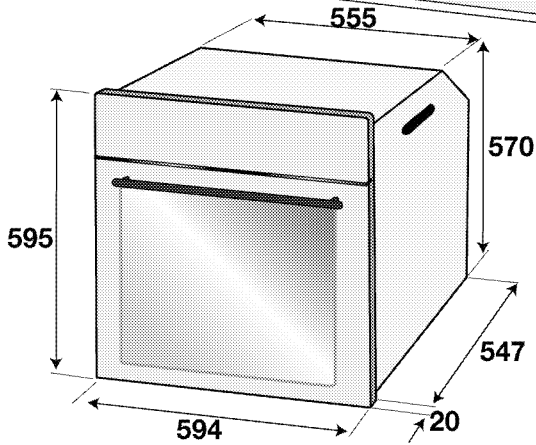
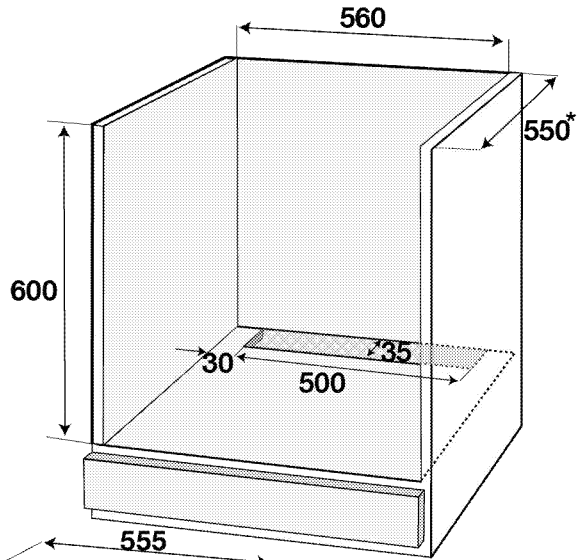
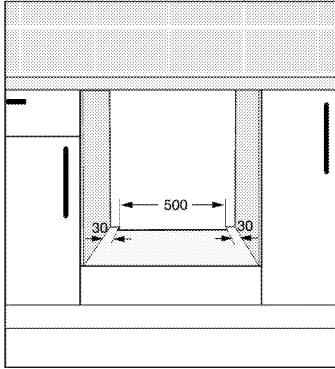
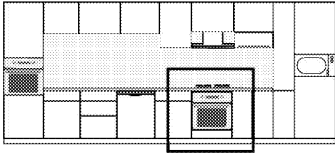
- Surfaces, synthetic laminates and adhesives used must be heat resistant (100 °C minimum).
- Kitchen cabinets must be set level and fixed.
- If there is a drawer beneath the oven, a shelf must be installed in order to separate from the oven and drawer.
- Carry the appliance with at least two persons.
- Hold the oven from the slots for handling on both sides to move it.
- Before installing the product, remove all materials and documents inside.
- Kitchen furniture must be in compliance with the dimensions given in the figure below. At the rear section of the kitchen furniture, an opening must be cut out with the dimensions given in the figure below to ensure sufficient ventilation.



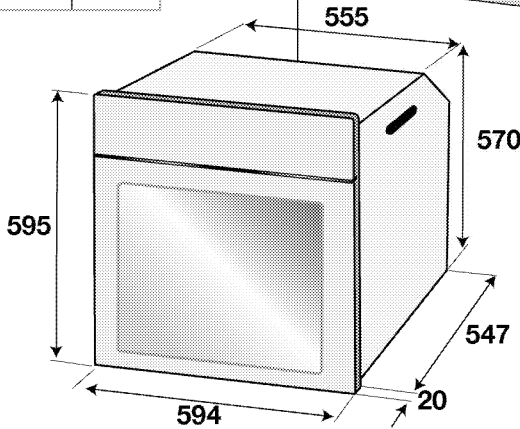
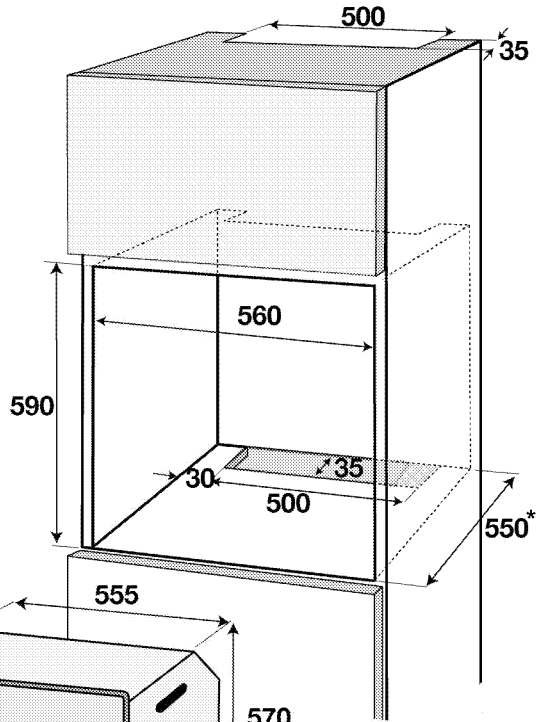
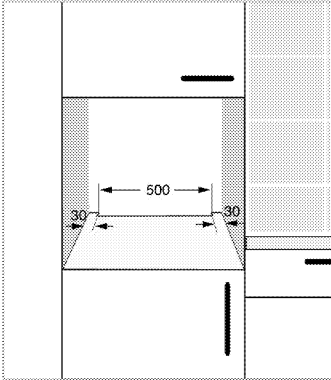
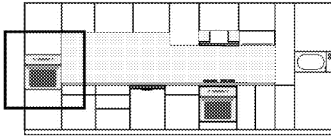
Do not install the appliance next to refrigerators or freezers. The heat emitted by the appliance will lead to an increased energy consumption of cooling appliances.



The door and/or handle must not be used for lifting or moving the appliance.



* min.



* min.

Installation and connection

- The product must be installed in accordance with all local gas and electrical regulations.

Electrical connection

Connect the product to a grounded outlet/line protected by a miniature circuit breaker of suitable capacity as stated in the "Technical specifications" table. Have the grounding installation made by a qualified electrician while using the product with or without a transformer. Our company shall not be liable for any damages that will arise due to using the

product without a grounding installation in accordance with the local regulations.



DANGER:

The product must be connected to the mains supply only by an authorised and qualified person. The product's warranty period starts only after correct installation. Manufacturer shall not be held responsible for damages arising from procedures carried out by unauthorised persons.

**DANGER:**

The power cable must not be clamped, bent or trapped or come into contact with hot parts of the product.

A damaged power cable must be replaced by a qualified electrician. Otherwise, there is risk of electric shock, short circuit or fire!

- Connection must comply with national regulations.
- The mains supply data must correspond to the data specified on the type label of the product. Open the front door to see the type label.
- Power cable of your product must comply with the values in "Technical specifications" table.

**DANGER:**

Before starting any work on the electrical installation, disconnect the product from the mains supply.

There is the risk of electric shock!



Power cable plug must be within easy reach after installation (do not route it above the hob).

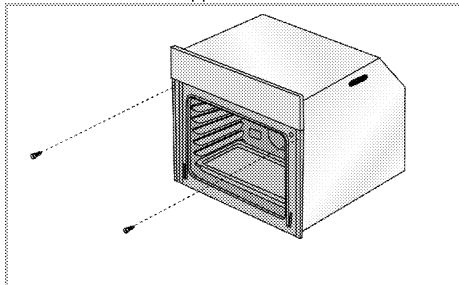


While performing the wiring, you must apply with the national/local electrical regulations and must use the appropriate socket outlet/line and plug for oven. In case of the product's power limits are out of current carrying capability of plug and socket outlet/line, the product must be connected through fixed electrical installation directly without using plug and socket outlet/line.

Plug the power cable into the socket.

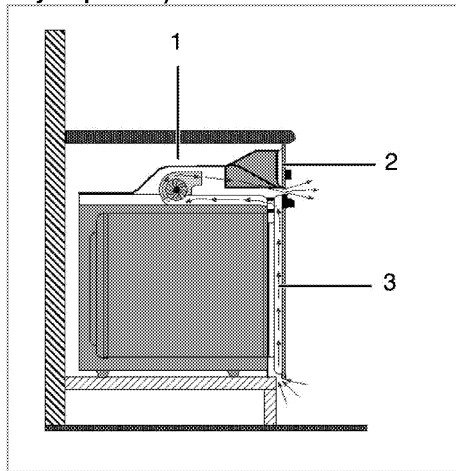
Installing the product

1. Slide the oven into the cabinet, align and secure it while making sure that the power cable is not broken and/or trapped.



Secure the oven with 2 screws as illustrated.

After the installation, make sure that the screws are sufficiently tightened and the oven does not move. Oven may tip over during use if it is not installed as per the instructions and if the screws are not sufficiently tightened.

For products with cooling fan (It may not exist on your product.)

- 1 Cooling fan
- 2 Control panel
- 3 Door

The built-in cooling fan cools both the built-in cabinet and the front of the product.



Cooling fan continues to operate for about 20-30 minutes after the oven is switched off.

If you have cooked by programming the timer of the oven, cooling fan will also be switched off at the end of the cooking time together with all functions.

Final check

1. Operate the product.
2. Check the functions.

4 Preparation


Tips for saving energy

The following information will help you to use your appliance in an ecological way, and to save energy:


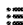
- Use dark coloured or enamel coated cookware in the oven since the heat transmission will be better.
- While cooking your dishes, perform a preheating operation if it is advised in the user manual or cooking instructions.
- Do not open the door of the oven frequently during cooking.
- Try to cook more than one dish in the oven at the same time whenever possible. You can cook by placing two cooking vessels onto the wire shelf.
- Cook more than one dish one after another. The oven will already be hot.
- You can save energy by switching off your oven a few minutes before the end of the cooking time. Do not open the oven door.
- Defrost frozen dishes before cooking them.

Initial use

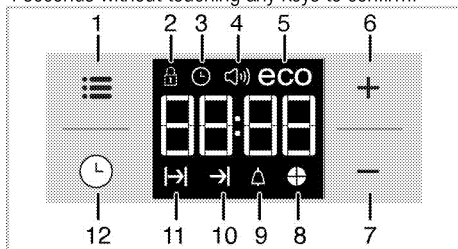
Time setting

 While making any adjustment, related symbols will flash on the display.

Press **+**/**-** keys to set the time of the day after the oven is energized for the first time.

 For touch control models, touch  first and then use **+**/**-** to set the time of the day.


Confirm the setting by touching  symbol and wait for 4 seconds without touching any keys to confirm.



- 1 Adjustment key
- 2 Keylock symbol
- 3 Clock symbol
- 4 Alarm volume symbol (It may not exist on your product.)

- 5 Eco mode symbol
- 6 Plus key
- 7 Minus key
- 8 Time slice symbol
- 9 Alarm symbol
- 10 End of Cooking Time symbol
- 11 Cooking Time symbol
- 12 Program key



If the initial time is not set, clock will run starting from **12:00** and  symbol will be displayed. The symbol will disappear once the time is set.



Current time settings are canceled in case of power failure. It needs to be readjusted.

First cleaning of the appliance



The surface might get damaged by some detergents or cleaning materials.

Do not use aggressive detergents, cleaning powders/creams or any sharp objects during cleaning.

Do not use harsh abrasive cleaners or sharp metal scrapers to clean the oven door glass since they can scratch the surface, which may result in shattering of the glass.

1. Remove all packaging materials.
2. Wipe the surfaces of the appliance with a damp cloth or sponge and dry with a cloth.

Initial heating

Heat up the product for about 30 minutes and then switch it off. Thus, any production residues or layers will be burnt off and removed.



WARNING

Hot surfaces cause burns!

Product may be hot when it is in use. Never touch the hot burners, inner sections of the oven, heaters and etc. Keep children away. Always use heat resistant oven gloves when putting in or removing dishes into/from the hot oven.

Electric oven

1. Take all baking trays and the wire grill out of the oven.
2. Close the oven door.

3. Select Static position.
4. Select the highest oven power; See *How to operate the electric oven, page 18*.
5. Operate the oven for about 30 minutes.
6. Turn off your oven; See *How to operate the electric oven, page 18*

Grill oven

1. Take all baking trays and the wire grill out of the oven.
2. Close the oven door.

3. Select the highest grill power; see *How to operate the grill, page 23*.
4. Operate the grill about 30 minutes.
5. Turn off your grill; see *How to operate the grill, page 23*



Smoke and smell may emit for a couple of hours during the initial operation. This is quite normal. Ensure that the room is well ventilated to remove the smoke and smell. Avoid directly inhaling the smoke and the smell that emits.

5 How to operate the oven

General information on baking, roasting and grilling



WARNING

Hot surfaces cause burns!

Product may be hot when it is in use. Never touch the hot burners, inner sections of the oven, heaters and etc. Keep children away. Always use heat resistant oven gloves when putting in or removing dishes into/from the hot oven.



DANGER:

Be careful when opening the oven door as steam may escape.

Exiting steam can scald your hands, face and/or eyes.

Tips for baking

- Use non-sticky coated appropriate metal plates or aluminum vessels or heat-resistant silicone moulds.
- Make best use of the space on the rack.
- Place the baking mould in the middle of the shelf.
- Select the correct rack position before turning the oven or grill on. Do not change the rack position when the oven is hot.
- Keep the oven door closed.

Tips for roasting

- Treating whole chicken, turkey and large piece of meat with dressings such as lemon juice and black pepper before cooking will increase the cooking performance.
- It takes about 15 to 30 minutes longer to roast meat with bones when compared to roasting the same size of meat without bones.
- Each centimeter of meat thickness requires approximately 4 to 5 minutes of cooking time.
- Let meat rest in the oven for about 10 minutes after the cooking time is over. The juice is better distributed all over the roast and does not run out when the meat is cut.
- Fish should be placed on the middle or lower rack in a heat-resistant plate.

Tips for grilling

When meat, fish and poultry are grilled, they quickly get brown, have a nice crust and do not get dry. Flat pieces, meat skewers and sausages are particularly suited for grilling as are vegetables with high water content such as tomatoes and onions.

- Distribute the pieces to be grilled on the wire shelf or in the baking tray with wire shelf in such a way that the space covered does not exceed the size of the heater.
- Slide the wire shelf or baking tray with grill into the desired level in the oven. If you are grilling on the wire shelf, slide the baking tray to the lower rack to collect fats. Add some water in the tray for easy cleaning.



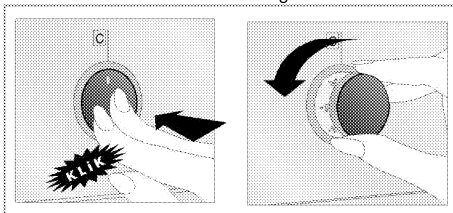
Foods that are not suitable for grilling carry the risk of fire. Only grill food which is suitable for intensive grilling heat.

Do not place the food too far in the back of the grill. This is the hottest area and fatty food may catch fire.

How to operate the electric oven

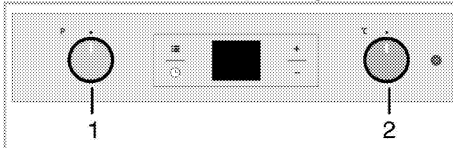
Your oven is equipped with pop-out knobs that protrude when you press them.

1. Press inwards to protrude the knob and then turn it to make the desired setting.



2. When the cooking process is finished, press the knob inwards.

Select temperature and operating mode



1. Function knob
 2. Thermostat knob
1. Set the Function knob to the desired operating mode.
 2. Set the Temperature knob to the desired temperature.

» Oven heats up to the adjusted temperature and maintains it. During heating, temperature lamp stays on.

Switching off the electric oven

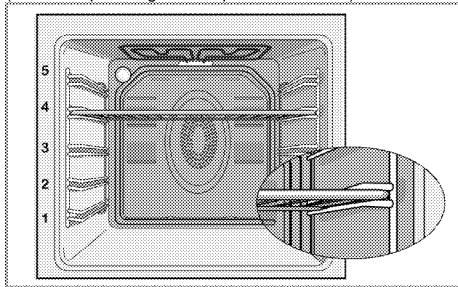
Turn the function knob and temperature knob to off (upper) position.

Rack positions (For models with wire shelf)

It is important to place the wire shelf onto the side rack correctly. Wire shelf must be inserted between the side racks as illustrated in the figure.

Do not let the wire shelf stand against the rear wall of the oven. Slide your wire shelf to the front section of the rack and settle it with the help of the door in order to obtain a good grill performance.

(Varies depending on the product model.)



Operating modes

The order of operating modes shown here may be different from the arrangement on your product.

Top and bottom heating



Top and bottom heating are in operation. Food is heated simultaneously from the top and bottom. For example, it is suitable for cakes, pastries, or cakes and casseroles in baking moulds. Cook with one tray only.

Bottom heating



Only bottom heating is in operation. It is suitable for pizza and for subsequent browning of food from the bottom.



This function must be used for easy steam cleaning as well.

Fan supported bottom/top heating



Top heating, bottom heating plus fan (in the rear wall) are in operation. Hot air is evenly distributed throughout the oven rapidly by means of the fan. Cook with one tray only.

Operating with fan



The oven is not heated. Only the fan (in the rear wall) is in operation. Suitable for thawing frozen granular food slowly at room temperature and cooling down the cooked food.

Fan Heating



Warm air heated by the rear heater is evenly distributed throughout the oven rapidly by means of the fan.

It is suitable for cooking your meals in different rack levels and preheating is not required in most cases. Suitable for cooking with multi trays.

This function must be used for easy steam cleaning as well.

"3D" function



Top heating, bottom heating and fan assisted heating (in the rear wall) are in operation. Food is cooked evenly and quickly all around. Cook with one tray only.

Full grill



Large grill at the ceiling of the oven is in operation. It is suitable for grilling large amount of meat.

- Put big or medium-sized portions in correct rack position under the grill heater for grilling.
- Set the temperature to maximum level.
- Turn the food after half of the grilling time.

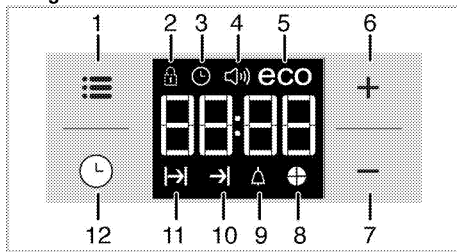
Grill+Fan







Grilling effect is not as strong as in Full Grill

- Put small or medium-sized portions in correct shelf position under the grill heater for grilling.
- Set the desired temperature.
- Turn the food after half of the grilling time.

Using the oven clock


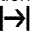
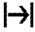


- 1 Adjustment key
- 2 Keylock symbol
- 3 Clock symbol
- 4 Alarm volume symbol (It may not exist on your product.)
- 5 Eco mode symbol
- 6 Plus key
- 7 Minus key
- 8 Time slice symbol
- 9 Alarm symbol
- 10 End of Cooking Time symbol
- 11 Cooking Time symbol
- 12 Program key

	Maximum time that can be set for end of cooking is 5 hours 59 minutes. Program will be cancelled in case of power failure. You must reprogram the oven.
	While making any setting, related symbols will flash on the display. You must wait for a short time for the settings to take effect.
	If no cooking setting is made, time of the day cannot be set.
	Remaining time will be displayed if cooking time is set when the cooking starts.

Cooking by setting the cooking time;



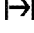

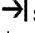
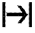
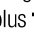
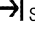
You can set the oven so that it will stop at the end of the specified time by setting the cooking time on the timer.

1. Select the function for cooking.
2. Touch  until  symbol appears on display for cooking time.
3. Set the cooking time with **+** / **-** keys.
» » After the cooking time is set,  symbol and the time slice will appear on display continuously.
4. Place the dish into the oven and set the temperature with temperature knob. Cooking will start.

» Cooking time starts to count down on display when cooking starts and all parts of time slice symbol is lit. The set cooking time is divided into 4 equal parts and when the time of each parts ends, the symbol of that parts turns off. So you can understand the ratio of remaining cooking time to total cooking time easily.

Setting the the end of cooking time to a later time;

After setting the cooking time on the timer, you can set the end of cooking time to a later time.

1. Select the function for cooking.
2. Touch  until  symbol appears on display for cooking time.
3. Set the cooking time with **+** / **-** keys.
» » Once the Cooking Time is set,  symbol will appear on display continuously.
4. Touch  until  symbol appears on display for the end of cooking time.
5. Press **+** / **-** keys to set the end of cooking time.
» After the cooking time is set,  symbol plus  symbol and the time slice will appear on display continuously. Once the cooking starts,  symbol disappears.
6. Place the dish into the oven and set the temperature with temperature knob. Cooking will start.
» **Oven timer calculates the startup time by deducting the cooking time from the end of cooking time you have set.** Selected operating mode is activated when the startup time of cooking has come and the oven is heated up to the set temperature. It maintains this temperature until the end of cooking time.
» Cooking time starts to count down on display when cooking starts and all parts of time slice symbol is lit. The set cooking time is divided into 4 equal parts and when the time of each parts ends, the symbol of that parts turns off. So you can understand the ratio of remaining cooking time to total cooking time easily.
7. After the cooking process is completed, "End" appears on the displayed and the timer gives an audio warning.
8. Audio warning sounds for 2 minutes. To stop the audio warning, just press any key. Audio warning will be silenced and current time will be displayed.



If you press any key at the end of the audio warning, the oven will restart operating. Turn the temperature knob and function knob to "0" (off) position to switch off the oven in order to prevent re-operation of the oven at the end of warning.

Activating the keylock

You can prevent oven from being intervened with by activating the key lock function.

1. Touch until symbol appears on display.
» "OFF" will appear on the display.
2. Press **+** to activate the key lock.
» Once the key lock is activated, "On" appears on the display and the symbol remains lit.



Oven keys are not functional when the key lock is activated. Key lock will not be cancelled in case of power failure.

To deactivate the keylock

1. Touch until symbol appears on display.
» "On" will appear on the display.
2. Disable the key lock by pressing the **-** key.
» "OFF" will be displayed once the keylock is deactivated.

Setting the alarm clock

You can use the timer of the product for any warning or reminder apart from the cooking program.

The alarm clock has no influence on the functions of the oven. It is only used as a warning. For example, this is useful when you want to turn food in the oven at a certain point of time. Timer will give an audio warning at the end of the set time.

1. Touch until symbol appears on display.



Maximum alarm time can be 23 hours and 59 minutes.

2. Set the alarm duration by using **+** / **-** keys.



Function keys for alarm tone, time of day, display brightness and temperature keys should be at 0 (OFF) position.

» symbol will remain lit and the alarm time will appear on the display once the alarm time is set.

3. At the end of the alarm time, symbol starts flashing and the audio warning is heard.

Turning off the alarm

1. Audio warning sounds for 2 minutes. To stop the audio warning, just press any key.
» Audio warning will be silenced and current time will be displayed.

Cancelling the alarm;

1. Touch until symbol appears on display in order to cancel the alarm.
2. Press and hold **-** key until "00:00" is displayed.



Alarm time will be displayed. If the alarm time and cooking time are set concurrently, shortest time will be displayed.

Changing alarm tone

1. Touch until symbol appears on display.
2. Adjust the desired alarm tone with **+** / **-** keys.
3. The tone you have set will be activated in a short time.
» Selected alarm tone will appear as "b-01", "b-02" or "b-03" on the display.

Changing the time of the day

To change the time of the day you have previously set:

1. Touch until symbol appears on display.
2. Set the time of the day with **+** / **-** keys.
3. The time you have set will be activated in a short time.

Economy mode

You can save energy with economy mode while cooking by setting cooking time in the oven.

This mode completes the cooking with the inner temperature of the oven by switching off the heaters before the end of cooking time.

Setting the economy mode

1. Touch symbol until **eco** symbol appears on display.
» "OFF" will appear on the display.
2. Enable economy mode by touching **+** key.
» Once the economy mode is activated, "On" appears on the display and the eco symbol remains lit.

Disabling economy mode

1. Touch symbol until **eco** symbol appears on display.
» "On" will appear on the display.
2. Disable economy mode by touching **-** key.
» "Off" will be displayed once the eco mode is deactivated.

Setting the screen brightness

(This feature is optional. It may not exist on your product.)

1. Touch until **d-01** or **d-02** or **d-03** appears on display for display brightness.
2. Set the desired brightness with **+** / **-** keys.
» The time you have set will be activated in a short time.

Cooking times table



The timings in this chart are meant as a guide. Timings may vary due to temperature of food, thickness, type and your own preference of cooking.

Baking and roasting



1st rack of the oven is the **bottom** rack.

Dish	Cooking level number		Rack position	Temperature (°C)	Cooking time (approx. in min.)
Cakes in tray*	One level	☐	3	175	25 ... 30
Cakes in mould*	One level	☒	2	180	40 ... 50
Cakes in cooking paper*	One level	☐	3	175	25 ... 30
	2 levels	☒	1 - 5	175	30 ... 40
	3 levels	☒	1 - 3 - 5	180	45 ... 55
Sponge cake*	One level	☐	3	200	5 ... 10
	2 levels	☒	1 - 5	175	20 ... 30
Cookies*	One level	☐	3	175	25 ... 30
	2 levels	☒	1 - 5	170 ... 190	30 ... 40
	3 levels	☒	1 - 3 - 5	175	35 ... 45
Dough pastry*	One level	☐	2	200	30 ... 40
	2 levels	☒	1 - 5	200	45 ... 55
	3 levels	☒	1 - 3 - 5	200	55 ... 65
Rich pastry*	One level	☐	2	200	25 ... 35
	2 levels	☒	1 - 5	200	35 ... 45
	3 levels	☒	1 - 3 - 5	190	45 ... 55
Leaven*	One level	☐	2	200	35 ... 45
	2 levels	☒	1 - 3	190	35 ... 45
Lasagna*	One level	☐	2 - 3	200	30 ... 40
Pizza*	One level	☐	2	200 ... 220	15 ... 20
Beef steak (whole) / Roast	One level	☒	3	25 min. 250/max, then 180 ... 190	100 ... 120
Leg of Lamb (casserole)	One level	☒	3	25 min. 250/max, then 190	70 ... 90
	One level	☒	3	25 min. 250/max, then 190	60 ... 80
Roasted chicken	One level	☒	2	15 min. 250/max, then 180 ... 190	55 ... 65
	One level	☒	2	15 min. 250/max, then 180 ... 190	55 ... 65
Turkey (5.5 kg)	One level	☒	1	25 min. 250/max, then 180 ... 190	150 ... 210
	One level	☒	1	25 min. 250/max, then 180 ... 190	150 ... 210
Fish	One level	☒	3	200	20 ... 30
	One level	☒	3	200	20 ... 30

When cooking with 2 trays at the same time, place the deeper tray on the upper rack and the other one on the lower rack.

* It is suggested to perform preheating for all foods.

(**) In a cooking that requires preheating, preheat at the beginning of cooking until the oven reached to adjusted temperature.

Tips for baking cake

- If the cake is too dry, increase the temperature by 10°C and decrease the cooking time.
- If the cake is wet, use less liquid or lower the temperature by 10°C.
- If the cake is too dark on top, place it on a lower rack, lower the temperature and increase the cooking time.
- If cooked well on the inside but sticky on the outside use less liquid, lower the temperature and increase the cooking time.

Tips for baking pastry

- If the pastry is too dry, increase the temperature by 10°C and decrease the cooking time. Dampen the layers of dough with a sauce composed of milk, oil, egg and yoghurt.
- If the pastry takes too long to bake, pay care that the thickness of the pastry you have prepared does not exceed the depth of the tray.
- If the upper side of the pastry gets browned, but the lower part is not cooked, make sure that the amount of sauce you have used for the pastry is not too much at the bottom of the pastry. Try to scatter the sauce equally between the dough layers and on the top of pastry for an even browning.



Cook the pastry in accordance with the mode and temperature given in the cooking table. If the bottom part is still not browned enough, place it on one lower rack next time.

Tips for cooking vegetables

- If the vegetable dish runs out of juice and gets too dry, cook it in a pan with a lid instead of a tray. Closed vessels will preserve the juice of the dish.

- If a vegetable dish does not get cooked, boil the vegetables beforehand or prepare them like canned food and put in the oven.

How to operate the grill



WARNING

Close oven door during grilling.
Hot surfaces may cause burns!

Switching on the grill

1. Turn the Function knob to the desired grill symbol.
2. Then, select the desired grilling temperature.
3. If required, perform a preheating of about 5 minutes.

» Temperature light turns on.

Switching off the grill

1. Turn the Function knob to Off (top) position.



Foods that are not suitable for grilling carry the risk of fire. Only grill food which is suitable for intensive grilling heat.

Do not place the food too far in the back of the grill. This is the hottest area and fatty food may catch fire.

Cooking times table for grilling

Grilling with electric grill

Food	Rack position	Recommended temperature (°C)**	Grilling time (approx.)
Fish	4...5	250/max	20...25 min. #
Sliced chicken	4...5	250/max	25...35 min.
Lamb chops	4...5	250/max	20...25 min.
Roast beef	4...5	250/max	25...30 min. #
Veal chops	4...5	250/max	25...30 min. #
Toast bread*	4	250/max	1...3 min.

depending on thickness


*Preheat for 5 minutes


**If the grill temperature of your product cannot be adjusted, the grill will work at the maximum temperature.

6 Maintenance and care


General information


Service life of the product will extend and the possibility of problems will decrease if the product is cleaned at regular intervals.

 **DANGER:**
Disconnect the product from mains supply before starting maintenance and cleaning works.
There is the risk of electric shock!

 **DANGER:**
Allow the product to cool down before you clean it.
Hot surfaces may cause burns!


- Clean the product thoroughly after each use. In this way it will be possible to remove cooking residues more easily, thus avoiding these from burning the next time the appliance is used.
- No special cleaning agents are required for cleaning the product. Use warm water with washing liquid, a soft cloth or sponge to clean the product and wipe it with a dry cloth.
- Always ensure any excess liquid is thoroughly wiped off after cleaning and any spillage is immediately wiped dry.
- Do not use cleaning agents that contain acid or chloride to clean the stainless or inox surfaces and the handle. Use a soft cloth with a liquid detergent (not abrasive) to wipe those parts clean, paying attention to sweep in one direction.

 The surface might get damaged by some detergents or cleaning materials.
Do not use aggressive detergents, cleaning powders/creams or any sharp objects during cleaning.
Do not use harsh abrasive cleaners or sharp metal scrapers to clean the oven door glass since they can scratch the surface, which may result in shattering of the glass.

 Do not use steam cleaners to clean the appliance as this may cause an electric shock.

Cleaning the control panel

Clean the control panel and knobs with a damp cloth and wipe them dry.

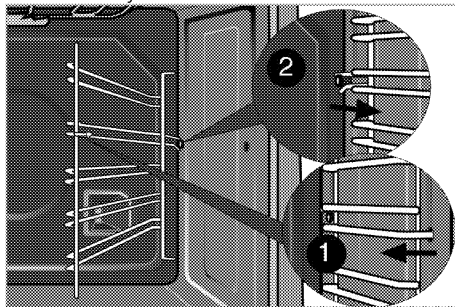
 If your product is equipped with buttons/knobs do not remove the control buttons/knobs to clean the control panel.
Control panel may get damaged!

Cleaning the oven

To clean the side wall

(This feature is optional. It may not exist on your product.)

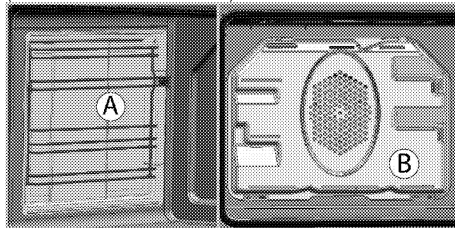
1. Remove the front section of the side rack by pulling it in the opposite direction of the side wall.
2. Remove the side rack completely by pulling it towards you.



Catalytic walls

(This feature is optional. It may not exist on your product.)

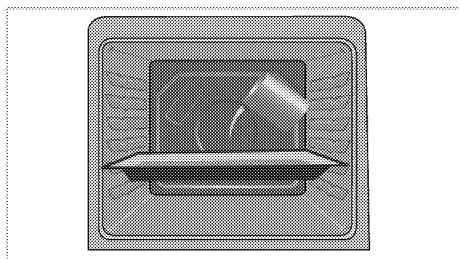
The inner side walls (A) and/or the rear wall (B) of your product may be coated with catalytic enamel. Catalytic walls have a light matte colour and a porous surface. Catalytic walls of the oven should not be cleaned. Porous surfaces of the catalytic walls are automatically cleaned by absorbing and converting the spilled oil (steam and carbon dioxide).



Easy Steam Cleaning

It ensures easy cleaning because the dirt (having waited not for too long) is softened with the steam that forms inside the oven and the water drops condensing on the inner surfaces of the oven.

1. Remove all accessories inside the oven.
2. Pour 500 ml of water into the oven tray and place the tray at the 2nd rack of the oven.



3. Set the oven to easy steam cleaning mode and run at 100°C for 25 minutes.
4. Open the door and wipe the inner surfaces of the oven with a damp sponge or cloth.
5. Use warm water with washing liquid, a soft cloth or sponge to clean the persistent dirt and wipe it with a dry cloth.

Clean oven door

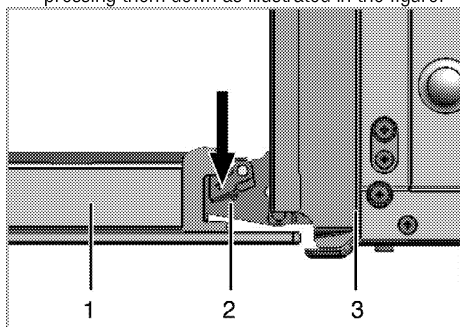
To clean the oven door, use warm water with washing liquid, a soft cloth or sponge to clean the product and wipe it with a dry cloth.



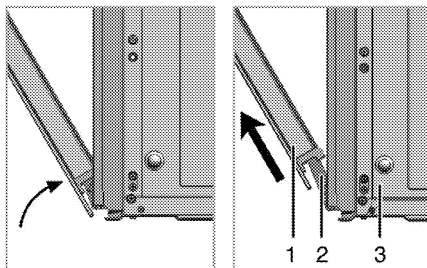
Don't use any harsh abrasive cleaners or sharp metal scrapers for cleaning the oven door. They could scratch the surface and destroy the glass.

Removing the oven door

1. Open the front door (1).
2. Open the clips at the hinge housing (2) on the right and left hand sides of the front door by pressing them down as illustrated in the figure.



- 1 Front door
- 2 Hinge
- 3 Oven



3. Move the front door to half-way.
4. Remove the front door by pulling it upwards to release it from the right and left hinges.



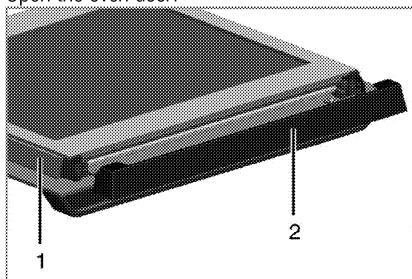
Steps carried out during removing process should be performed in reverse order to install the door. Do not forget to close the clips at the hinge housing when reinstalling the door.

Removing the door inner glass

(This feature is optional. It may not exist on your product.)

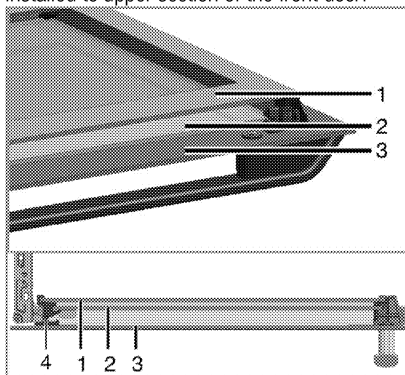
The inner glass panel of the oven door can be removed for cleaning.

Open the oven door.



- 1 Frame
- 2 Plastic part

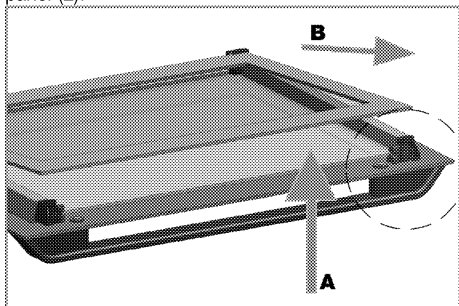
Pull towards yourself and remove the plastic part installed to upper section of the front door.



- 1 Innermost glass panel

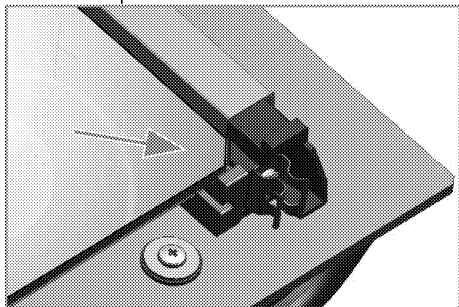
- 2 Inner glass panel
- 3 Outer glass panel
- 4 Plastic glass panel slot-Lower

As illustrated in figure, raise the innermost glass panel (1) slightly in direction **A** and pull it out in direction **B**. Repeat the same procedure to remove the inner glass panel (2).



The first step to regroup the door is reinstalling inner glass panel (2).

As illustrated in figure, place the chamfered corner of the glass panel so that it will rest in the chamfered corner of the plastic slot.



Inner glass panel (2) must be installed into the plastic slot close the innermost glass panel (1).

When installing the innermost glass panel (1), make sure that the printed side of the panel faces towards the inner glass panel.

It is important to seat lower corner of inner glass panel into the lower plastic slot.

Push the plastic part towards the frame until you hear a "click".

Replacing the oven lamp



DANGER:

Before replacing the oven lamp, make sure that the product is disconnected from mains and cooled down in order to avoid the risk of an electrical shock.
Hot surfaces may cause burns!



The oven lamp is a special electric light bulb that can resist up to 300 °C. See *Technical specifications, page 11* for details. Oven lamps can be obtained from Authorised Service Agents or technician with licence.



Position of lamp might vary from the figure.



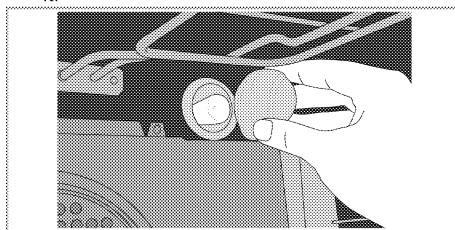
The lamp used in this appliance is not suitable for household room illumination. The intended purpose of this lamp is to assist the user to see foodstuffs.



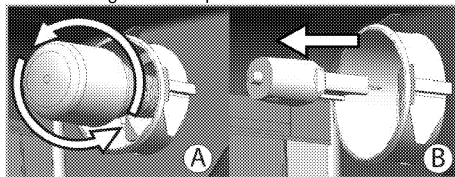
The lamps used in this appliance have to withstand extreme physical conditions such as temperatures above 50 °C.

If your oven is equipped with a round lamp:

1. Disconnect the product from mains.
2. Turn the glass cover counter clockwise to remove it.



3. If your oven lamp is of type (A) shown in the figure below, remove it by rotating as shown and replace it. If it is of type (B), pull and remove it as shown in the figure and replace it.



4. Install the glass cover.

7 Troubleshooting

Oven emits steam when it is in use.

- It is normal that steam escapes during operation. >>> *This is not a fault.*

Product emits metal noises while heating and cooling.

- When the metal parts are heated, they may expand and cause noise. >>> *This is not a fault.*

Product does not operate.

- The mains fuse is defective or has tripped. >>> *Check fuses in the fuse box. If necessary, replace or reset them.*
- Product is not plugged into the (grounded) socket. >>> *Check the plug connection.*

Oven light does not work.

- Oven lamp is defective. >>> *Replace oven lamp.*
- Power is cut. >>> *Check if there is power. Check the fuses in the fuse box. If necessary, replace or reset the fuses.*

Oven does not heat.

- Might not be set to a certain cooking function and/or temperature. >>> *Set the oven to a certain cooking function and/or temperature.*
- In models equipped with a timer, the timer is not adjusted. >>> *Adjust the time.*
(In products with microwave oven, timer controls only microwave oven.)
- Power is cut. >>> *Check if there is power. Check the fuses in the fuse box. If necessary, replace or reset the fuses.*

(In models with timer) Clock display is blinking or clock symbol is on.

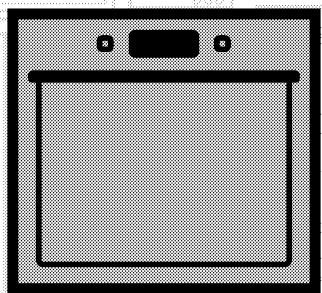
- A previous power outage has occurred. >>> *Adjust the time / Switch of the product and switch it on again.*



Consult the Authorised Service Agent or technician with licence or the dealer where you have purchased the product if you can not remedy the trouble although you have implemented the instructions in this section. Never attempt to repair a defective product yourself.

Vestavná trouba

Návod k použití



CZ

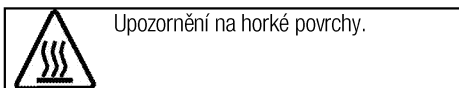
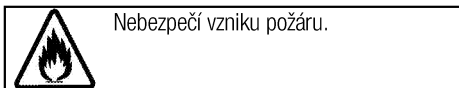
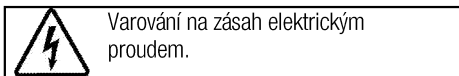
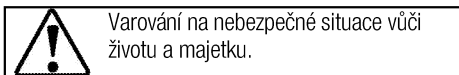
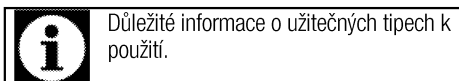
beko

Prosím, čtěte nejprve tento návod.

Vážený zákazník,
Děkujeme za výběr produktu Beko. Doufáme, že s tímto produktem, který byl vyroben s využitím vysoce kvalitní a moderní technologie, dosáhnete těch nejlepších výsledků. Proto si před použitím produktu pečlivě přečtěte celý návod k použití a jakékoli doplňující dokumenty a uchovejte je pro budoucí použití. Pokud produkt předáte další osobě, rovněž ji předejte návod k použití. Dodržte veškerá varování a informace obsažené v návodu k použití. Nezapomeňte, že tento návod se může vztahovat i k několika jiným modelům. Rozdíly mezi modely jsou v návodu výslovně uvedeny.

Vysvětlení symbolů

V celém návodu k použití jsou použity následující symboly:



Arçelik A.Ş.
Karaağaç caddesi No:2-6
34445 Sütlüce/Istanbul/TURKEY
Made in TURKEY

1 Důležité pokyny a upozornění týkající se bezpečnosti a životního prostředí **4**

Obecná bezpečnost.....	4
Elektrická bezpečnost.....	4
Bezpečnost produktu.....	5
Určené použití.....	7
Bezpečnost dětí.....	7
Likvidace starého výrobku.....	8
Likvidace obalových materiálů.....	8
Likvidace starého výrobku.....	8

2 Obecné informace **9**

Přehled.....	9
Obsah balení.....	10
Technické parametry.....	11

3 Montáž **12**

Před montáží.....	12
Instalace a připojení.....	14

4 Příprava **16**

Tipy pro úsporu energie.....	16
Úvodní použití.....	16
Nastavení času.....	16
První čištění produktu.....	16
Výchozí ohřev.....	16

5 Obsluha trouby **18**

Obecné informace pro pečení, rožnění a grilování..	18
Používání elektrické trouby.....	18
Provozní režimy.....	19
Používání hodin trouby.....	20
Tabulka časů vaření.....	22
Ovládání grilu.....	23
Tabulka časů pečení pro grilování.....	23

6 Údržba a péče **24**

Obecné informace.....	24
Čištění ovládacího panelu.....	24
Čištění trouby.....	24
Odstranění dvířka trouby.....	25
Odstranění vnitřního skla dvířek.....	25
Výměna vnitřní žárovky.....	26

7 Odstraňování potíží **27**

1 Důležité pokyny a upozornění týkající se bezpečnosti a životního prostředí

Tento oddíl obsahuje bezpečnostní pokyny, které vám pomohou předejít riziku zranění a poškození.

Nedodržení těchto pokynů zruší platnost záruky.

Obecná bezpečnost

- Toto zařízení může být používáno dětmi staršími 8 let a osobami se sníženými fyzickými, smyslovými nebo duševními schopnostmi nebo s nedostatkem zkušeností, pokud je na ně dohlíženo nebo byly poučeny o použití zařízení bezpečným způsobem a rozumí zahrnutým rizikům.

Děti si nesmí se zařízením hrát.

Čištění a údržba uživatelem nesmí být prováděna dětmi bez dozoru.

- Spotřebič není určen k použití osobami (včetně dětí) se sníženými fyzickými, sensorickými nebo duševními schopnostmi nebo bez nedostatku zkušeností, aniž by byly pod dohledem nebo proškolení.

Děti si nesmí se zařízením hrát.

- Pokud je výrobek předán jiné osobě za účelem soukromého použití nebo nepřímého použití, je třeba této osobě poskytnout také uživatelskou příručku, štítky k výrobku a další nezbytné dokumenty a díly.

- Instalaci a opravy musejí vždy provádět pracovníci autorizovaného servisu. Výrobce neodpovídá za škody vzniklé při procesech prováděných neoprávněnými osobami, může dojít i k propadnutí záruky. Před instalací si pečlivě přečtěte pokyny.
- Nepoužívejte výrobek, pokud je vadný nebo vykazuje viditelné škody.
- Po každém použití zkontrolujte, zda jsou všechna funkční tlačítka vypnutá.

Elektrická bezpečnost

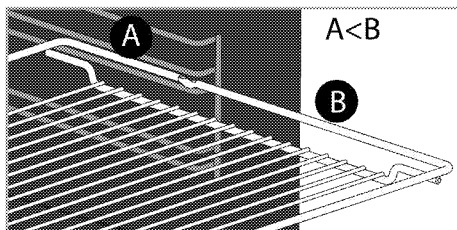
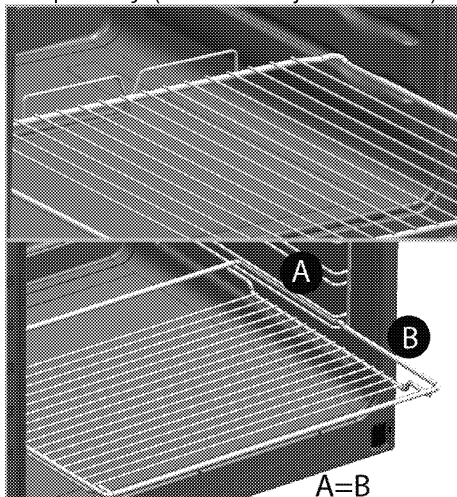
- Dojde-li k selhání produktu, nesmí být používán až do okamžiku opravy zástupcem autorizovaného servisu. Hrozí riziko zásahu elektrickým proudem!
- Produkt zapojte pouze do uzemněné zásuvky s daným napětím a ochranou uvedenou v "Technické údaje". Uzemnění musí zajistit kvalifikovaný elektrikář, pokud používáte výrobek s transformátorem nebo bez něj. Naše společnost nenese žádnou zodpovědnost za problémy vyplývající z neuzemnění produktu v souladu s místními směrnici.

- Produkt nikdy nemyjte nalitím vody na něj! Hrozí riziko zásahu elektrickým proudem!
- Zásuvky se nikdy nedotýkejte mokřými rukama! Zástrčku nikdy neodpojujte tahem za kabel, vždy za zástrčku.
- Produkt musí být během instalace, údržby, čištění nebo oprav odpojen.
- Pokud je napájecí kabel poškozen, musí jej vyměnit výrobce, jeho servisní zástupce nebo obdobně kvalifikovaná osoba, aby se předešlo riziku.
- Spotřebič musí být nainstalován tak, aby byl ze sítě zcela odpojen. Oddělení musí být zajištěno buď zástrčkou nebo spínačem vestavěným do fixní elektrické instalace, v souladu se stavebními směrnice.
- Zadní povrch trouby se při používání zahřívá. Zkontrolujte, zda není elektrické napojení v kontaktu se zadní stěnou; jinak může dojít k poškození spojů.
- Nezachycujte napájecí kabel mezi dvířky trouby a rám a nevedte jej po horkých plochách. Jinak může dojít k roztavení izolace kabelu a následkem zkratu dojde k požáru.
- Všechny činnosti s elektrickým zařízením a systémy mohou provádět jen autorizované osoby.
- V případě jakýchkoli poškození vypněte přístroj a odpojte jej od napájení. Za tímto účelem vypněte domovní pojistku.
- Zkontrolujte, zda je hodnota pojistky kompatibilní s výrobkem.

Bezpečnost produktu

- **VAROVÁNÍ:** Spotřebič a dostupné části se při používání zahřívají. Dávejte pozor, abyste se nedotkli topných prvků. Děti do 8 let věku udržujte mimo dosah nebo pod stálým dohledem.
- Nikdy nepoužívejte výrobek, pokud váš úsudek nebo koordinaci ovlivňuje použití alkoholu a/nebo léků.
- Dávejte pozor při používání alkoholu v pokrmech. Alkohol se při vysokých teplotách vypařuje a může způsobit požár, jelikož se vznítí, když se dostane do kontaktu s horkou plochou.
- Nestavte žádné hořlavé materiály vedle výrobku, jelikož jeho boky se při používání zahřejí.
- Během použití se spotřebič zahřeje. Dávejte pozor, abyste se nedotkli topných prvků.
- Všechny větrací otvory musejí zůstat bez překážek.
- Neohřívejte uzavřené plechovky a sklenice v troubě. Tlak, který se nahromadí ve sklenici/plechovce, může vést k jejímu prasknutí.

- Neumisťujte pečicí plechy, nádoby či alobal přímo na dno trouby. Nahromaděné horko může poškodit dno trouby.
- Nepoužívejte drsné abrazivní čisticí prostředky nebo ostré kovové stěrky na čištění skla dvířek trouby, protože mohou poškrábat povrch, což může vést k poničení skla.
- Na čištění spotřebiče nepoužívejte parní čističe, mohlo by dojít k zásahu elektrickým proudem.
- (Liší se podle modelu výrobku.) Správné umístění drátěné police a plechu na drátěné přihrádce
Je nutné správně umístit polici a/nebo plech na přihrádku. Nasuňte polici nebo plech mezi 2 kolejnice a zajistěte, aby byla v rovnováze, než na ni umístíte pokrmy (viz následující obrázek).



- Nepoužívejte výrobek bez předních skleněných dveří nebo s prasklými dveřmi.
- Madlo trouby není sušák pro utěrky. Nevěšete na něj utěrky, rukavice nebo podobné textilní výrobky, když je v provozu gril s otevřenými dvířky.
- Vždy používejte tepluvzdorné rukavice při vkládání a vyjímání nádob z horké trouby.
- Pečicí papír dejte do pekáče nebo do příslušenství trouby (plech, gril, atd.) společně s jídlem a potom vše zasuňte do předehřáté trouby. Odstraňte části pečicího papíru přechřívající okraje pekáče nebo příslušenství, abyste předešli nebezpečí kontaktu s topnými tělesy v troubě. Pečicí papír nikdy nepoužívejte při teplotě překračující uvedenou hodnotu na obalu pečicího papíru. Pečicí papír nedávejte přímo na dno trouby.
- **VAROVÁNÍ:** Než začnete žárovku vyměňovat, ujistěte se, zda je spotřebič vypnutý, abyste tak předešli možnosti úrazu elektrickým proudem.

- Spotřebič nesmí být instalován za ozdobnými dvířky, aby se zabránilo přehřátí.

Pro bezpečný provoz:

- Ujistěte se, zda zástručka zapadla do zásuvky a nezpůsobí vznik jiskry.
- Nepoužívejte poškozený nebo nalomený prodlužovací kabel ani jiný než originální kabel.
- Ujistěte se, zda je při zapojení není na zástrčce žádná vlhkost ani kapalina.

Určené použití

- Tento výrobek je určen pro domácí použití. Komerční použití není přípustné.
- Toto zařízení je určeno jen pro vaření. Nesmí se používat na jiné účely, například k vytápění místností.
- Tento výrobek nepoužívejte k ohřívání talířů pod grilem, sušení ručníků a utěrek atd. na rukojeti a pro vytápění.
- Výrobce nezodpovídá za žádné škody způsobené nesprávným použitím nebo manipulací.
- Troubu lze použít k rozmrazení, pečení, rožnění a grilování pokrmů.

Bezpečnost dětí

- **VAROVÁNÍ:** Přístupné části se mohou během používání rozehřát. Malé děti udržujte mimo dosah.

- Obalové materiály jsou pro děti nebezpečné. Udržujte děti mimo dosah obalových materiálů. Všechny části obalu prosím likvidujte v souladu se standardy ochrany životního prostředí.
- Elektrické výrobky jsou nebezpečné pro děti. Udržujte děti mimo dosah tohoto výrobku, pokud je v provozu, nedovolte jim hrát si s výrobkem.
- Nad spotřebič nestavte žádné předměty, na něž by děti mohly dosáhnout.
- Když jsou otevřená dvířka trouby, nevkládejte na ně žádný těžký předmět a nedovolte dětem, aby na ně sedaly. Může se převrátit nebo by se poškodily závěsy dveří.

Likvidace starého výrobku

Dodržování směrnice WEEE a o likvidaci odpadů:



Tento produkt splňuje směrnici EU WEEE (2012/19/EU).

Tento výrobek nese symbol pro třídění, platný pro elektrický a elektronický odpad (WEEE).

Tento produkt byl vyroben z vysoce kvalitních součástí a materiálů, které lze znovu použít a které jsou vhodné pro recyklaci. Produkt na konci životnosti nevyhazujte do běžného domácího odpadu. Odveďte ho do sběrného místa pro recyklaci elektrických a elektronických zařízení. Informace o těchto sběrných místech získáte na místních úřadech.

Dodržování směrnice RoHS:

Produkt, který jste zakoupili splňuje směrnici EU RoHS (2011/65/EU). Neobsahuje žádné škodlivé ani zakázané materiály, které jsou směrnici zakázané.

Likvidace obalových materiálů

- Obalové materiály jsou nebezpečné pro děti. Obalové materiály uschovejte na bezpečném místě mimo dosah dětí. Obalové materiály

výrobku jsou vyrobeny z recyklovatelných materiálů. Zlikvidujte je správně a tříděte je v souladu s pokyny pro likvidaci recyklovaného odpadu. Nelikvidujte je s běžným domácím odpadem.

Likvidace starého výrobku

- Uschovejte si originální karton od výrobku a přepravujte výrobek v něm. Dodržujte pokyny na kartonu. Pokud nemáte originální karton, zabalte výrobek do bublin nebo silného kartonu a pevně oblepte páskou.
- Aby drátěná police a plech v troubě nepoškodily dvířka trouby, umístěte pásku kartonu na vnitřek dveří trouby v částech, které odpovídají poloze plechů. Přilepte dvířka trouby k bočním stěnám.
- Nepoužívejte dvířka nebo madlo ke zvedání či přesouvání výrobku.



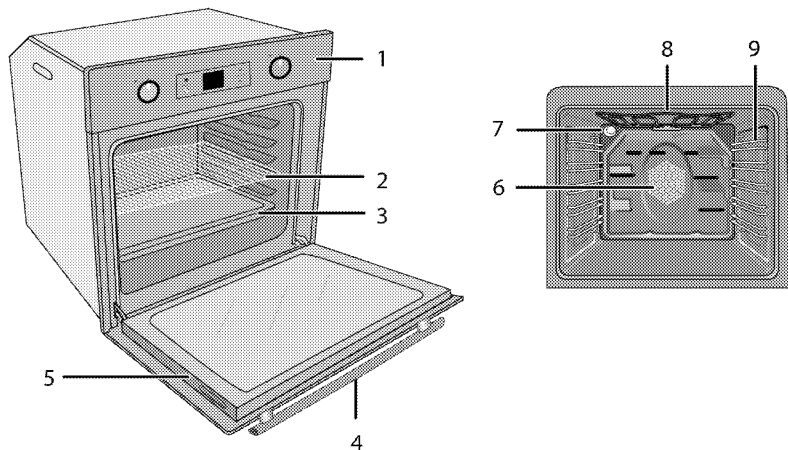
Nevkládejte žádné předměty na výrobek a posouvejte jej ve svislé poloze.



Zkontrolujte vzhled výrobku, zda neobsahuje škody, k nimž mohlo dojít při přepravě.

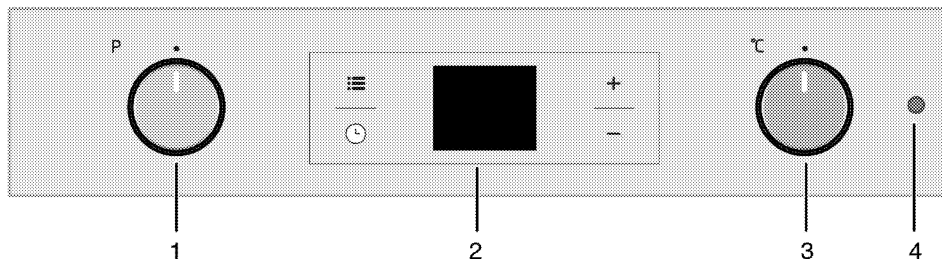
2 Obecné informace

Přehled



- 1 Ovládací panel
- 2 Drátěná police
- 3 Plech
- 4 Madlo
- 5 Dveøe

- 6 Pohon ventilátoru (za ocelovým plátem)
- 7 Světlo
- 8 Horní topný prvek
- 9 Polohy polic



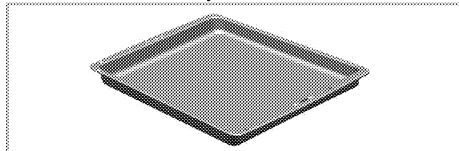
- 1 Funkční spínač
- 2 Digitální časovač
- 3 Spínač termostatu
- 4 Světlo termostatu

Obsah balení

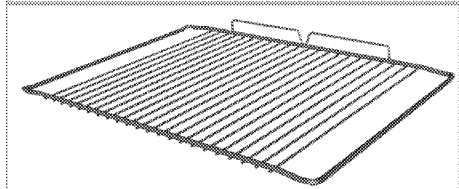
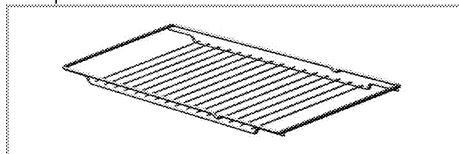


Dodávané příslušenství se může lišit podle modelu výrobku. Všechna příslušenství popisovaná v návodu k použití nemusejí být součástí vašeho výrobku.

1. **Návod k použití**
2. **Plech do trouby**
Používá se na cukroviny, mražené potraviny a velké rožňené kusy.



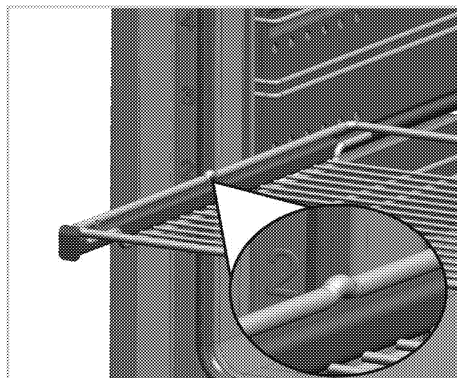
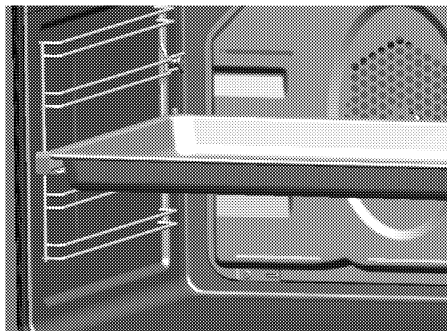
3. **Drátěná police**
Slouží k rožnění a pokládání pečených, rožňených nebo v hrnci pečených pokrmů na požadované úrovni.



4. **Správné umístění drátěné police a plechu na teleskopické přihrádky**
(Tato funkce je volitelná. Nemusí být součástí vašeho výrobku.)

Teleskopické přihrádky umožňují snadno vkládat a vyjmát plechy a drátěnou polici.

Při používání plechu a drátěné police s teleskopickými přihrádkami, zkontrolujte, zda jsou kolíky v zadní části stojanů na teleskopické přihrádce u okrajů drátěné police a plechu.



Technické parametry

Napětí/frekvence	220-240 V ~ 50 Hz
Celková spotřeba energie	2.5 kW
Pojistka	16 A
Typ kabelu / průřez	min.H05W-FG 3 x 1,5 mm ²
Vnější rozměry (výška/šířka/hloubka)	595 mm/594 mm/567 mm
Rozměry instalace (výška/šířka/hloubka)	**590 nebo 600 mm/560 mm/min. 550 mm
Hlavní trouba	Multifunkční trouba
Vnitřní světlo	15/25 W
Spotřeba energie grilu	2.2 kW

Základy: Informace na energetickém štítku elektrických trub jsou uvedeny v souladu s normou EN 60350-1 / IEC 60350-1. Tyto hodnoty jsou zjišťovány za standardního zatížení s horním-dolním ohřevem nebo horkovzdušným provozu (pokud existuje).

Třída energetické účinnosti je stanovena v souladu s následujícími prioritami podle toho, zda na výrobku existují příslušné funkce nebo ne. 1-Vaření s eko-ventilátorem, 2- Turbo pomalé pečení, 3- Turbo pečení, 4- Horní/dolní ohřev s ventilátorem, 5- Horní a dolní ohřev.

** Viz . *Montáž, strana 12.*



Technické parametry se mohou měnit bez předchozího upozornění za účelem zvyšování kvality výrobku.



Obrázky v tomto návodu jsou schematické a nemusí se shodovat s vaším výrobkem.



Hodnoty na štítcích výrobku nebo v doprovodné dokumentaci jsou zjišťovány v laboratorních podmínkách podle příslušných norem. Podle provozních a okolních podmínek výrobku se tyto hodnoty mohou měnit.

3 Montáž

Výrobek musí nainstalovat kvalifikovaná osoba v souladu s platnými předpisy. Jinak není možné uznat záruku. Výrobce neodpovídá za škody vzniklé při procesech prováděných neoprávněnými osobami, může dojít i k propadnutí záruky.



Za přípravu místa a elektrické instalace výrobku odpovídá zákazník.



NEBEZPEČÍ:

Výrobek musí být instalován v souladu se všemi místními a/nebo elektrickými vyhláškami.



NEBEZPEČÍ:

Před instalací zkontrolujte případné vady na výrobku. Pokud nějaké objevíte, neinstalujte jej.
Poškozené výrobky mohou ohrozit vaši bezpečnost.

Před montáží

Spotřebič je určen pro instalaci do běžně dostupných kuchyňských skříní. Mezi přístrojem a kuchyňskými stěnami a nábytkem musí zůstat bezpečnostní vzdálenost. Viz obrázek (hodnoty v mm).

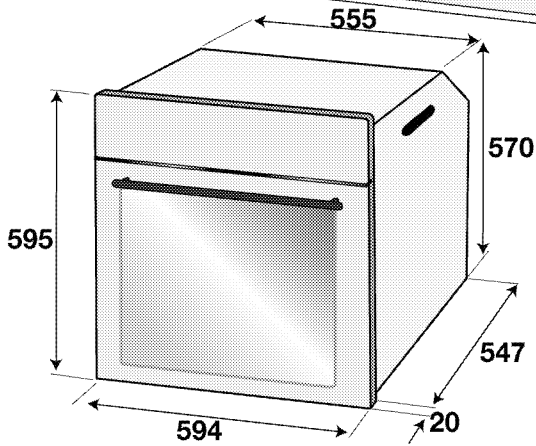
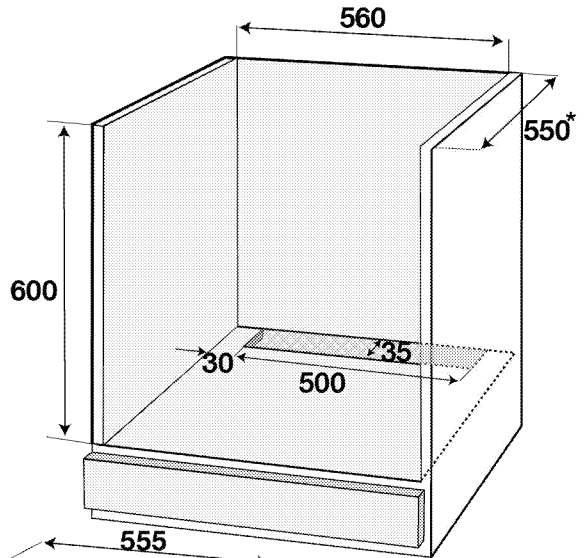
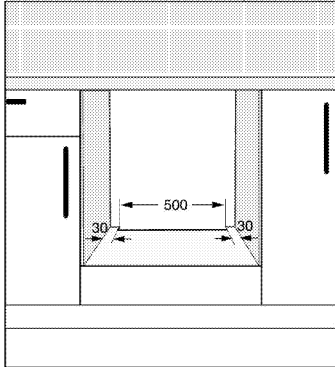
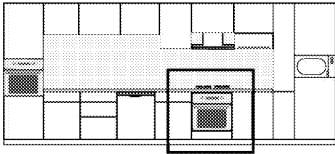
- Povrchy, syntetické lamináty a lepidla musejí být tepluvzdorné (100 °C minimum).
- Kuchyňské skříně musejí být nastaveny rovně.
- Pokud je pod troubou zásuvka, mezi troubou a zásuvkou musí být instalována police.
- Spotřebič přenášejte nejméně ve dvou.
- Chcete-li troubu přesunout, držte ji za manipulační sloty na obou stranách.
- Před instalací produktu vyjměte zevnitř veškeré materiály a dokumenty.
- Kuchyňský nábytek musí odpovídat rozměrům uvedeným na obrázku níže. Na zadní straně kuchyňského nábytku je nutno vyřezat otvor s rozměry uvedenými na obrázku níže, aby bylo zajištěno dostatečné větrání.



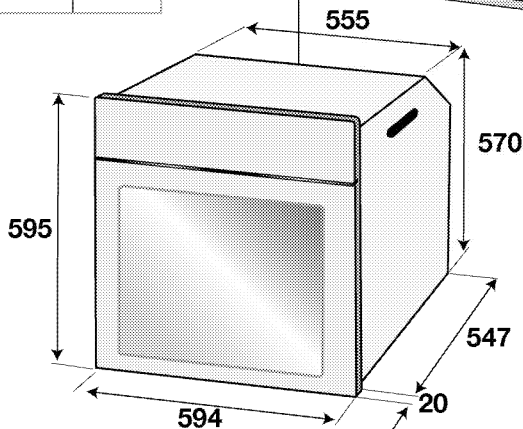
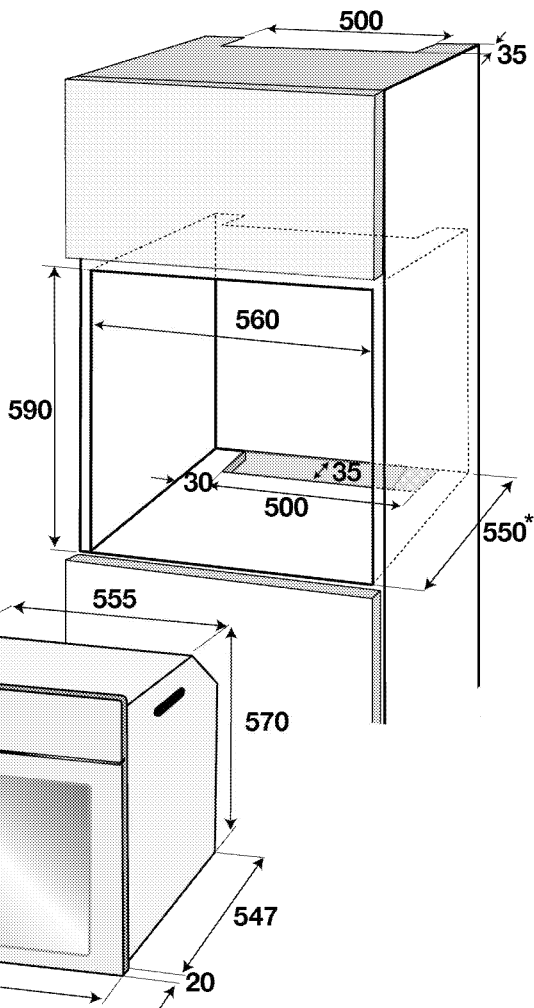
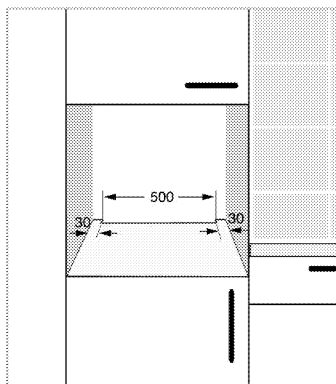
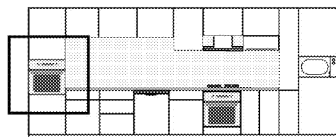
Neinstalujte přístroj vedle chladniček či mrazniček. Teplo vyzařované výrobkem zvýší spotřebu energie chladicích zařízení.



Nepoužívejte dvířka nebo madlo k přenášení či přesouvání výrobku.



* min.



* min.

Instalace a připojení

- Přístroj lze instalovat a připojovat jen v souladu se zákonnými předpisy.

Elektrické zapojení

Připojte výrobek k uzemněné zásuvce/vedení chráněného miniaturním jističem vhodného výkonu, jak je uvedeno v tabulce „Technické specifikace“.

Uzemnění musí zajistit kvalifikovaný elektrikář, pokud používáte výrobek s transformátorem nebo bez něj. Naše společnost neodpovídá za škody vzniklé z důvodu používání výrobku bez správného uzemnění v souladu s místními předpisy.



NEBEZPEČÍ:

Výrobek smí připojit k napájení pouze autorizovaný a kvalifikovaný pracovník. Záruční lhůta výrobku začíná běžet až po řádné instalaci.

Výrobce neodpovídá za škody vzniklé při procesech prováděných neoprávněnými osobami.

**NEBEZPEČÍ:**

Napájecí kabel je nutno nepřiskřípnout, ohnout či zmáčknout, nesmí přijít do styku s horkými částmi zařízení.

Poškozený napájecí kabel musí vyměnit kvalifikovaný elektrikář. Jinak je zde nebezpečí zásahu elektrickým proudem, zkratu nebo požáru!

- Zapojení musí splňovat národní předpisy.
- Údaje napájení musejí odpovídat údajům na typovém štítku přístroje. Otevřete přední dvířka a uvidíte typový štítek.
- Napájecí kabel vašeho výrobku musí odpovídat hodnotám v rabulce "Technické parametry".

**NEBEZPEČÍ:**

Než zahájíte jakoukoli činnost na elektrické instalaci, odpojte výrobek od napájení. Hrozí riziko zásahu elektrickým proudem!



Zástrčka napájecího kabelu musí být snadno dosažitelná i po instalaci (neved'te ji nad varnou deskou).

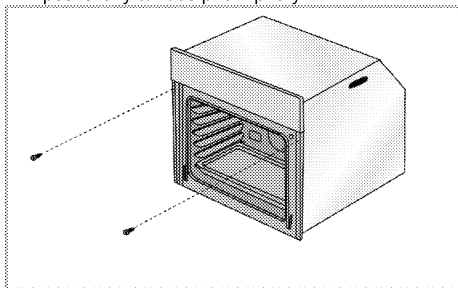


Během zapájení je nutné použít národní/místní elektrické předpisy a musí se použít příslušná zásuvka/vedení a zástrčka pro troubu. V případě, že jsou limity výkonu produktu mimo provozní schopnost zástrčky a zásuvky/vedení, musí být výrobek připojen přes pevnou elektrickou instalaci přímo bez použití zástrčky a zásuvky/vedení.

Zapojte napájecí kabel do zásuvky.

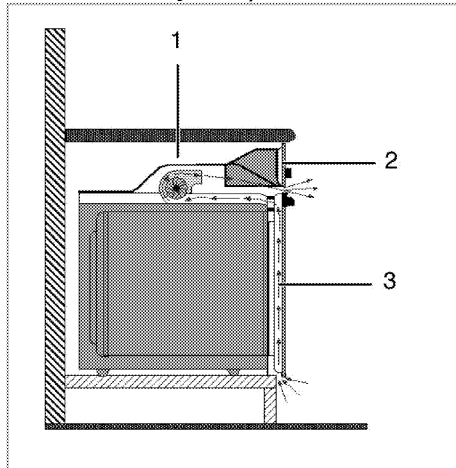
Instalace výrobku

1. Nasuňte troubu do skříně, vyrovnejte ji a zajistěte, přitom kontrolujte, zda napájecí kabel není poškozený a/nebo přiskřípnutý.



Troubu zajistěte 2 šrouby podle obrázku.

Po instalaci zajistěte, aby všechny šrouby byly dostatečně utaženy a aby se trouba nehýbala. Pokud instalace nebyla provedena podle pokynů nebo šrouby nebyly dostatečně utaženy, za provozu se trouba může převrhnout.

Výrobky s chladicím ventilátorem (Nemusí být součástí vašeho výrobku.)

- 1 Chladicí ventilátor
- 2 Ovládací panel
- 3 Přední dveře

Vestavný ochlazovací ventilátor chladí vestavnou skříň i přední stranu zařízení.



Chladicí ventilátor běží ještě 20-30 minut, i když je trouba vypnutá.

Pokud jste pekli pomocí naprogramování časovače trouby, vypne se chladicí ventilátor na konci doby pečení zároveň se všemi funkcemi.

Poslední kontrola

1. Obsluha výrobku..
2. Zkontrolujte funkce.

4 Příprava

Tipy pro úsporu energie

Následující informace vám pomohou používat zařízení ekologicky a ušetřit energii:

- Používejte tmavé a smaltované nádoby, přenos tepla pak bude lepší.
- Když připravujete pokrm, provádějte předehřívání, pokud je doporučuje návod k použití nebo recept.
- Během pečení neotvírejte často dvířka trouby.
- Zkuste péct více než jeden pokrm v troubě současně, jakmile je to možné. Můžete vařit tak, že na drátěnou polici umístíte dvě nádoby.
- Pečte více než jeden pokrm za druhým. Trouba již bude horká.
- Energii ušetříte, pokud troubu vypnete pár minut před koncem doby pečení. Neotvírejte dvířka trouby.
- Zmražené potraviny před vařením rozmrazte.

Úvodní použití

Nastavení času



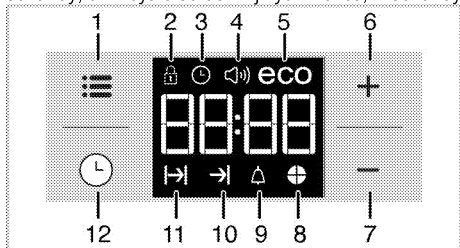
Při nastavování blikají příslušné symboly na displeji.

Stisknutím kláves **+/-** nastavíte čas, poté co troubu poprvé zapojíte.



Denní dobu nastavte pomocí **≡**, potom stlačte **+/-** a nastavte čas.

Nastavení potvrďte stisknutím symbolu **⌚** a počkejte 4 sekundy, aniž byste se dotkli jiných kláves, 4 sekundy.



- 1 Tlačítko nastavení
- 2 Symbol zámku
- 3 Symbol hodiny
- 4 Symbol hlasitosti alarmu (Nemusí být součástí vašeho výrobku.)
- 5 Symbol eko režimu
- 6 Tlačítko plus

- 7 Tlačítko minus
- 8 Symbol časového koláče
- 9 Symbol Alarm
- 10 Symbol konce času pečení
- 11 Symbol doby pečení
- 12 Tlačítko programu



Není-li počáteční čas nastaven, hodiny se spustí od **12:00** a zobrazí se symbol **⌚**. Jakmile ji nastavíte, tento symbol zmizí.



Aktuální nastavení času se zruší v případě výpadku elektrické energie. Je nutno je znovu nastavit.

První čištění produktu



Povrch se může poškodit vlivem některých saponátů nebo čistících materiálů. Nepoužívejte agresivní saponáty, čistící prášek/mléko ani ostré předměty při čištění.

1. Sejměte všechny obaly.
2. Setřete povrch výrobku vlhkým hadříkem nebo houbičkou a osušte hadříkem.

Výchozí ohřev

Zahřívejte výrobek cca 30 minut, pak je vypněte. Tím dojde k odpálení a odstranění zbytků nebo vrstev z výroby.



VAROVÁNÍ!

Horké povrchy způsobují popáleniny!
Výrobek může být během používání horký. Nikdy se nedotýkejte horkých hořáků, vnitřních částí trouby, topných prvků atd. Udržujte děti mimo dosah.
Vždy používejte tepluvzdorné rukavice při vkládání a vyjímání nádob z horké trouby.

Elektrická trouba

1. Vyjměte všechny pečící plechy a drátěnou polici z trouby.
2. Zavřete dvířka trouby.
3. Zvolte statickou pozici.
4. Zvolte nejvyšší výkon grilu; viz *Používání elektrické trouby, strana 18*.
5. Zapněte troubu asi na 30 minut.
6. Vypněte troubu; viz *Používání elektrické trouby, strana 18*

Trouba s grilem

1. Vyjměte všechny pečící plechy a drátěnou polici z trouby.
2. Zavřete dvířka trouby.
3. Zvolte nejvyšší výkon grilu; viz *Ovládání grilu, strana 23*.
4. Zapněte troubu asi na 30 minut.

5. Vypínání grilu; viz *Ovládání grilu, strana 23*



Při prvním použití se může na pár hodin uvolňovat kouř a zápach. To je normální. Zkontrolujte, zda je místnost řádně odvětrána, abyste odstranili kouř i zápach. Vyhněte se přímému vdechování kouře a zápachu.

5 Obsluha trouby

Obecné informace pro pečení, rožnění a grilování



VAROVÁNÍ!

Horké povrchy způsobují popáleniny! Výrobek může být během používání horký. Nikdy se nedotýkejte horkých hořáků, vnitřních částí trouby, topných prvků atd. Udržujte děti mimo dosah. Vždy používejte tepluvzdorné rukavice při vkládání a vyjímání nádob z horké trouby.



NEBEZPEČÍ:

Dávejte pozor při otevírání dvířek trouby, může unikat pára. Únik páry vám může opařit ruce, obličej a/nebo oči.

Tipy pro pečení

- Používejte nepřilnavé kovové plechy nebo hliníkové nádoby nebo tepluvzdorné silikonové formy.
- Co nejlépe využijte místo na polici.
- Pečící formu vkládejte doprostřed přihrádky.
- Zvolte správnou pozici přihrádky, než troubu nebo gril zapnete. Neměřte pozici přihrádky, když je trouba horká.
- Udržujte dvířka trouby zavřená.

Tipy na rožnění

- Pokud na celé kuře, krocana a velké kusy masa naneseš např. citronovou šťávu a černý pepř před pečením, zvýšíš účinnost pečení.
- Rožnění masa s kostí trvá asi o 15 až 30 minut déle než masa stejné velikosti bez kostí.
- Každý centimetr tloušťky masa vyžaduje asi 4 až 5 minut pečení.
- Maso nechte v troubě ještě cca 10 minut po době pečení. Štávy se pak lépe rozmístí po celém kusu masa a nevytěkají při nařiznutí.
- Ryby kladte na střední nebo dolní přihrádku do žáruvzdorného plechu.

Tipy na grilování

Když grilujete maso, ryby a drůbež, rychle zhnědnou, mají pěknou kůrku a nevysušují se. Ploché kusy, rožněné maso a klobásy jsou pro grilování zvláště vhodné, což platí i pro zeleninu s vysokým obsahem vody, jako jsou rajčata a cibule.

- Pokrmy ke grilování rozmístěte na drátěné mřížce nebo do plechu s drátěnou mřížkou tak, aby pokrytá plocha nepřekračovala rozměry ohřevu.

- Posuňte drátěnou mřížku nebo plech s grilem na požadovanou úroveň v troubě. Pokud grilujete na drátěné mřížce, posuňte na dolní přihrádku pečící plech pro zachytávání tuku. Do tohoto plechu nalijte trochu vody pro snadnější čištění.

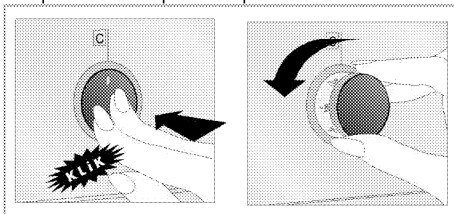


Potraviny, které nejsou vhodné ke grilování, představují nebezpečí požáru. Používejte na grilování jen ty potraviny, které jsou vhodné pro intenzivní žár grilu. Neumísťujte potraviny příliš daleko dozadu grilu. Je to nejteplejší část a mastné potraviny se mohou vznítit.

Používání elektrické trouby

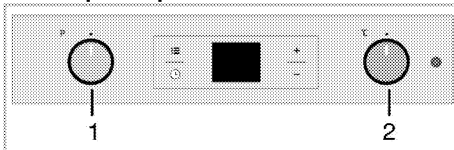
Vaše trouba je vybavena zasouvacími tlačítky, která vystoupí, když je stisknete.

1. Tiskněte směrem dovnitř, aby tlačítko vystoupilo, a pak otočením proveďte požadované nastavení.



2. Po dokončení vaření, stiskněte knoflík dovnitř.

Zvolte teplotu a provozní režim



1 Funkční spínač

2 Spínač termostatu

1. Nastavte funkční tlačítko na požadovaný provozní režim.
2. Nastavte tlačítko teploty na požadovanou teplotu.
» Trouba se zahřeje na nastavenou teplotu a udržuje ji. Při hazívání zůstane svítit kontrolka teploty.
»

Vypněte elektrickou troubu

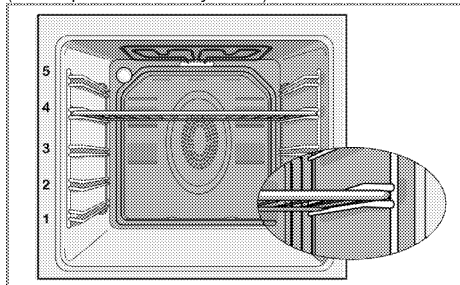
Přepněte funkční tlačítko a tlačítko teploty do polohy vypnout (nahore).

Polohy přihrádek (pro modely s drátěnou mřížkou)

Je nezbytné umístit drátěnou mřížku správně na přihrádku. Drátěnou mřížku je nutné zasunout mezi přihrádky podle obrázku.

Nenechte drátěnou mřížku stát opřenu o zadní stěnu trouby. Drátěnou mřížku posuňte do přední části police a vyrovnejte pomocí dvířek, abyste dosáhli ideálního výkonu grilu.

(Liší se podle modelu výrobku.)



Provozní režimy

Pořadí provozních režimů uvedených zde se může lišit od vybavy vašeho přístroje.

Horní a dolní ohřev



Horní a dolní ohřev jsou zapnuté. Potraviny se zahřívají současně shora i zdola. Vhodné např. pro koláče, sušenky či koláčky a rendlíky v pečicích formách. Používejte vždy jen jeden plech.

Dolní ohřev



Pracuje jen spodní ohřev. Je to vhodné pro pizzu a následně opečení potravin zespodu.



Tato funkce musí být použita rovněž pro snadné parní čištění.



Dolní/horní ohřev s pomocí ventilátoru



Horní ohřev, dolní ohřev s ventilátorem (v zadní stěně) jsou zapnuté. Ventilátor rychle a rovnoměrně rozvádí horký vzduch v troubě. Používejte vždy jen jeden plech.

Funkce s ventilátorem



Trouba se nezahřívá. Funguje pouze ventilátor (v zadní stěně). Zmražené potraviny se rozmrazuje pomalu při pokojové teplotě, upečené potraviny se ochladí.

Ohřev s ventilátorem



Funguje ohřev s ventilátorem (v zadní stěně).

Ventilátor rychle a rovnoměrně rozvádí horký vzduch v troubě. Ve většině případů není předehřívání nutné. Vhodné pro pečení vašich pokrmů na různých úrovních přihrádek. Vhodné pro použití více plechů.

Tato funkce musí být použita rovněž pro snadné parní čištění.



Funkce "3D"



Horní ohřev, dolní ohřev a ohřev s ventilátorem (v zadní stěně) jsou zapnuté. Pokrm je rovnoměrně a rychle upečen ze všech stran. Používejte vždy jen jeden plech.

Plný gril



Je zapnutý velký gril ve stropu trouby. Hodí se na grilování velkého množství masa.

- Vložte velké nebo středně velké části na správnou polici pod gril pro grilování.
- Nastavte teplotu na maximum.
- V polovině doby grilování potraviny otočte.

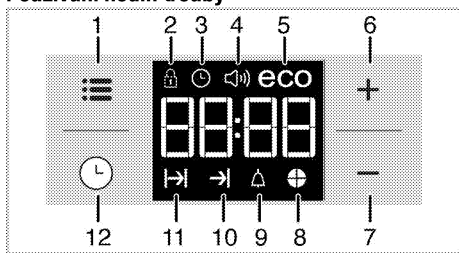
Gril + ventilátor



Grilování není tak výkonné jako u plného grilu

- Vložte malé nebo středně velké části na správnou polici pod gril pro grilování.
- Nastavte požadovanou teplotu.
- V polovině doby grilování potraviny otočte.

Používání hodin trouby



- 1 Tlačítko nastavení
- 2 Symbol zámku
- 3 Symbol hodin
- 4 Symbol hlasitosti alarmu (Nemusí být součástí vašeho výrobku.)
- 5 Symbol eko režimu
- 6 Tlačítko plus
- 7 Tlačítko minus
- 8 Symbol časového koláče
- 9 Symbol Alarm
- 10 Symbol konce času pečení
- 11 Symbol doby pečení
- 12 Tlačítko programu

i Maximální čas pro nastavení konce vaření je 5 hodin a 59 minut.
Program se zruší v případě výpadku energie.
Troubu pak musíte znovu naprogramovat.

i Během provádění nastavení na se displeji zobrazí související symboly. Musíte chvíli počkat, než nastavení bude účinné.

i Není-li nastaveno žádné pečení, nelze nastavit aktuální čas.

i Zobrazí se zbývající čas je-li čas vaření nastaven jakmile vaření začne.

Pečení s určením doby pečení:

Troubu můžete nastavit tak, aby se zastavila na konci specifikovaného času, a to nastavením doby vaření na časovači.

1. Vyberte funkci vaření.
2. Stiskněte dokud se na displeji nezobrazí symbol .
3. Nastavte čas vaření pomocí kláves **+** / **-**.
» Po nastavení času vaření se na displeji zobrazí symbol a čas se odpočítává.
4. Do trouby vložte nádobí a teplotu nastavte pomocí tlačítka nastavení teploty. Spustí se vaření.

» Čas vaření se začne odpočítávat na displeji, jakmile začne vaření a všechny části časového symbolu se rozsvítí. Nastavená doba vaření se rozdělí do 4 stejných částí, a když čas každé části skončí, symbol takové části se vypne. Tak snadno zjistíte odpovídající čas vaření a vše bude snazší.

Nastavení konce doby vaření na pozdější čas:




Po nastavení času vaření na časovači můžete nastavit konec času vaření.

1. Vyberte funkci vaření.
2. Stiskněte dokud se na displeji nezobrazí symbol .
3. Čas vaření nastavte pomocí kláves **+** / **-**.
» Jakmile je čas vaření nastavený, na displeji se rozsvítí symbol .
4. Stiskněte dokud se na displeji nezobrazí symbol .
5. Stiskněte klávesy **+** / **-** a nastavte konec času vaření.
» Po nastavení času vaření se na displeji zobrazí symbol a symbol . Jakmile vaření začne, symbol zmizí.
6. Do trouby vložte nádobí a teplotu nastavte pomocí tlačítka nastavení teploty. Spustí se vaření.
» **Časovač trouby vypočte čas spuštění odečtem času vaření od konce času, který jste nastavili.**
Vybraný provozní režim se aktivuje, když nadejde čas spuštění vaření a trouba se rozežehře na nastavenou teplotu. Udrží tuto teplotu až do konce času vaření.
» Čas vaření se začne odpočítávat na displeji, jakmile začne vaření a všechny části časového symbolu se rozsvítí. Nastavená doba vaření se rozdělí do 4 stejných částí, a když čas každé části skončí, symbol takové části se vypne. Tak snadno zjistíte odpovídající čas vaření a vše bude snazší.
7. Po dokončení vaření se na displeji zobrazí "End" a časovač vydá zvukové upozornění.
8. Audio upozornění zazní na dobu 2 minut. Chcete-li toto upozornění vypnout, stiskněte libovolnou klávesu. Buďk se ztlumí a zobrazí se aktuální čas.

i Pokud na konci zvukového varování stisknete libovolnou klávesu, trouba se znovu spustí. Otočte tlačítko pro nastavení teploty a funkce do pozice "0" (vypnuto) a vypněte troubu, abyste předešli opětovnému spuštění trouby po konci upozornění.

Aktivace zámku



Použitím tlačítek trouby můžete zabránit aktivaci funkce zámku.

1. Stiskněte  dokud se na displeji nezobrazí symbol  .
- » Na displeji se zobrazí "OFF" .
2. Pro aktivaci zámku stiskněte **+** .
- » Jakmile je zámek aktivovaný, na displeji se zobrazí "Zap." a symbol  zůstane rozsvícený.



Klávesy trouby po aktivaci zámku nefungují. Zámek se nezruší ani v případě výpadku napájení.



Chcete-li zámek deaktivovat

1. Stiskněte  dokud se na displeji nezobrazí symbol  .
- » Na displeji se zobrazí "On" .
2. Zámek deaktivujete stisknutím klávesy **-** .
- » "VYPNOUT" se zobrazí po vypnutí zámku.

Nastavení budíku

Hodiny na přístroji můžete používat k upozornění nebo připomenutí i mimo pečení.

Budík nemá žádný vliv na funkci trouby. Používá se jako upozornění. Například to může být užitečné, chcete-li pokrm v troubě v určité chvíli obrátit. Po uplynutí nastavené doby zazní alarm.

1. Stiskněte  dokud se na displeji nezobrazí symbol  .


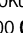


Maximální doba budíku může být 23 hodin a 59 minut.

2. Délku trvání nastavte pomocí kláves **+** / **-** .





Funkční tlačítka pro tón alarmu, denní dobu, jas displeje a nastavení teploty musí být v pozici 0 (OFF).

- » Na displeji se rozsvítí symbol budíku  a jakmile bude budík nastavený, na displeji se zobrazí čas budíku.
3. Na konci času budíku začne blikat symbol času budíku  a ozve se signál budíku.

Vypínání alarmu

1. Audio upozornění zazní na dobu 2 minut. Chcete-li toto upozornění vypnout, stiskněte libovolnou klávesu.
- » Budík se ztlumí a zobrazí se aktuální čas.



Zrušení budíku:

1. Stiskněte  dokud se na displeji nezobrazí symbol  a budík zrušte.
2. Stiskněte a přidržte klávesu **-** dokud se nezobrazí "00:00" .





Zobrazí se čas budíku. Pokud je čas budíku a čas vaření nastaven současně, zobrazí se kratší čas.

Změna tónu budíku

1. Stiskněte  dokud se na displeji nezobrazí symbol  .
2. Požadovaný tón alarm nastavte klávesami **+** / **-** .
3. Tón, který nastavíte, se aktivuje během krátké chvilky.
- » Zvolený tón budíku se zobrazí na displeji jako "b-01", "b-02" nebo "b-03" .

Změna denní doby

Chcete-li změnit čas, který jste nastavili dříve:

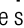
1. Stiskněte  dokud se na displeji nezobrazí symbol  .
2. Nastavte čas pomocí kláves **+** / **-** .
3. Čas, který nastavíte, se za chvíli aktivuje.

Úsporný režim

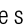
Můžete šetřit energii v úsporném režimu, budete-li vařit s nastavením času vaření.

Tento režim dokončí vaření při vnitřní teplotě trouby a vypnutých topných prvcích před koncem času vaření.

Nastavení úsporného režimu

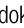
1. Stiskněte symbol  dokud se na displeji nezobrazí symbol úsporného režimu.
- » Na displeji se zobrazí "OFF" .
2. Aktivujte úsporný režim stisknutím klávesy **+** .
- » Jakmile se zámek aktivuje, na displeji se zobrazí "On" a symbol úsporného režimu zůstane rozsvícený.

Deaktivace úsporného režimu.

1. Stiskněte symbol  dokud se na displeji nezobrazí symbol úsporného režimu.
- » Na displeji se zobrazí "On" .
2. Úsporný režim deaktivujete stisknutím klávesy **-** .
- » "Off" se zobrazí jakmile se zámek deaktivuje.

Nastavení jasu obrazovky

(Tato funkce je volitelná. Nemusí být součástí vašeho výrobku.)

1. Stiskněte  dokud se na displeji nezobrazí d-01 nebo d-02 nebo d-03 a nastavte jas.
2. Požadovaný jas nastavte pomocí kláves **+** / **-** .
- » Čas, který nastavíte se aktivuje za chvíli.

Tabulka časů vaření



Časy v této tabulce jsou míněny jako průvodce. Časy se mohou lišit v závislosti na teplotě potravin, tloušťce, typu a vašich vlastních preferencích vaření.

Pečení a rožnění



1. police v troubě je **spodní** police.

Nádoba	Číslo úrovně pečení		Poloha příhrádky	Teplota (°C)	Čas pečení (cca min.)
Koláče na plechu*	Jedna úroveň		3	175	25 ... 30
Koláč ve formě*	Jedna úroveň		2	180	40 ... 50
Koláče v pečicím papíru*	Jedna úroveň		3	175	25 ... 30
	2 úrovně		1 - 5	175	30 ... 40
	3 úrovně		1 - 3 - 5	180	45 ... 55
Piškotový koláč	Jedna úroveň		3	200	5 ... 10
	2 úrovně		1 - 5	175	20 ... 30
Sušenky*	Jedna úroveň		3	175	25 ... 30
	2 úrovně		1 - 5	170 ... 190	30 ... 40
	3 úrovně		1 - 3 - 5	175	35 ... 45
Kynuté pečivo*	Jedna úroveň		2	200	30 ... 40
	2 úrovně		1 - 5	200	45 ... 55
	3 úrovně		1 - 3 - 5	200	55 ... 65
Hutné pečivo*	Jedna úroveň		2	200	25 ... 35
	2 úrovně		1 - 5	200	35 ... 45
	3 úrovně		1 - 3 - 5	190	45 ... 55
Kynuté*	Jedna úroveň		2	200	35 ... 45
	2 úrovně		1 - 3	190	35 ... 45
Lasagne*	Jedna úroveň		2 - 3	200	30 ... 40
Pizza*	Jedna úroveň		2	200 ... 220	15 ... 20
Hovězí steak (celý) / Rožnění	Jedna úroveň		3	25 min. 250/max. pak 180 190	100 ... 120
Jehněčí kýta (v hrnci)	Jedna úroveň		3	25 min. 250/max. pak 190	70 ... 90
	Jedna úroveň		3	25 min. 250/max. pak 190	60 ... 80
Rožněné kuře	Jedna úroveň		2	15 min. 250/max. pak 180 190	55 ... 65
	Jedna úroveň		2	15 min. 250/max. pak 180 190	55 ... 65
Krůta (5,5 kg)	Jedna úroveň		1	25 min. 250/max. pak 180 190	150 ... 210
	Jedna úroveň		1	25 min. 250/max. pak 180 190	150 ... 210
Ryba	Jedna úroveň		3	200	20 ... 30
	Jedna úroveň		3	200	20 ... 30

Když pečete se 2 plechy najednou, umístěte hluboký plech na horní polici a druhý plech na dolní polici.

* Doporučujeme provádět předehřívání u všech potravin.

(**) Pro vaření, které vyžaduje předehřátí, předehřejte na začátku troubu, dokud neobdržíte nastavenou teplotu.

Tipy pro pečení

- Pokud je koláč příliš suchý, zvýšte teplotu o cca 10 a zkráťte dobu pečení.
- Pokud je koláč vlhký, použijte méně tekutiny a snižte teplotu o 10°C.
- Pokud je koláč na povrchu příliš tmavý, položte ho na nižší polici, snižte teplotu a prodlužte dobu pečení.

- Pokud je dobře pečen uvnitř, ale lepkavý na povrchu, použijte méně tekutiny, snižte teplotu a prodlužte dobu pečení.

Tipy pro pečení pečiva

- Pokud je pečivo příliš suché, zvýšte teplotu o cca 10 a zkráťte dobu pečení. Navlhčete vrstvy těsta omáčkou z mléka, oleje, vajec a jogurtu.
- Pokud se pečivo peče příliš dlouho, dávejte pozor, aby tloušťka těsta nepřesáhla hloubku plechu.

- Pokud je povrch pečiva tmavne, ale spodní část není pečená, zkontrolujte, zda množství omáčky, kterou jste použili, není na spodní straně pečiva příliš velké. Snažte se rozprostřít omáčku rovnoměrně mezi vrstvy těsta a na ně pro rovnoměrné zbarvení.



Pečivo pečte v souladu s režimem a teplotou uvedenými v tabulce pečení. Pokud spodní část stále není dostatečně zbarvená, umístěte je příště o jednu úroveň níže.

Tipy na pečení zeleniny

- Pokud zeleninové jídlo ztrácí šťávu a začíná být vysušené, vařte ho v pánvi s poklicí místo na plechu. v uzavřených nádobách jídlo zůstane šťavnaté.
- Pokud se zeleninové jídlo nemůže dovařit, uvařte zeleninu nebo ji připravte jako konzervované jídlo a pak ji dejte do trouby.

Ovládání grilu



VAROVÁNÍ!

Zavírejte dvířka trouby během grilování. Horké povrchy mohou způsobovat popáleniny!

Zapínání grilu

1. Nastavte funkční tlačítko na požadovaný symbol grilu.
 2. Pak zvolte požadovanou teplotu grilování.
 3. Podle potřeby předehevte asi 5 minut.
- » Kontrolka teploty se rozsvítí.

Vypínání grilu

1. Otočte funkčním tlačítkem do polohy vypnout (nahore).



Potraviny, které nejsou vhodné ke grilování, představují nebezpečí požáru. Používejte na grilování jen ty potraviny, které jsou vhodné pro intenzivní žár grilu. Neumístujte potraviny příliš daleko dozadu grilu. Je to nejteplejší část a masné potraviny se mohou vznítit.

Tabulka časů pečení pro grilování

Grilování s elektrickým grilem



Potraviny	Poloha přihrádky	Doporučená teplota (°C)**	Čas grilování (přibl.)
Ryba	4...5	250/max	20...25 min. #
Krájené kuře	4...5	250/max	25...35 min.
Kousky jehněčího	4...5	250/max	20...25 min.
Roastbeef	4...5	250/max	25...30 min. #
Kousky telecího	4...5	250/max	25...30 min. #
Toastový chléb *	4	250/max	1...3 min.

podle tloušťky
 * Troubu předehevte po dobu 5 minut.
 ** Nelze-li nastavit teplota grilu vašeho spotřebiče, gril bude fungovat na maximální teplotu.


6 Údržba a péče

Obecné informace

Životnost výrobku se prodlouží a případné problémy se omezí, pokud je výrobek pravidelně čištěn.

	NEBEZPEČÍ: Odpojte zařízení od napájení, než začnete s údržbou a čištěním. Hrozí riziko zásahu elektrickým proudem!
	NEBEZPEČÍ: Před čištěním nechte přístroj vychladnout. Horké povrchy mohou způsobovat popáleniny!


- Výrobek po každém použití pečlivě vyčistěte. Takto snadněji odstraníte nečistoty z pečení, které se takto nebudou při příštím použití přístroje dále připalovat.
- Pro čištění přístroje nejsou potřeba žádná zvláštní čisticidla. Výrobek omyjte vodou s mycím přípravkem a hadříkem nebo houbou a osušte ji suchým hadrem.
- Vždy zkontrolujte, zda byla jakákoli zbylá kapalina po čištění pečlivě otřena a a případná vylitá kapalina vysušena.
- K čištění nerezových ploch a rukojeti nepoužívejte čisticidla obsahující kyselinu nebo chlorid. K otření těchto částí použijte měkký hadřík s tekutým rozpouštědlem (ne brusným) a dávejte pozor, abyste čistili jedním směrem.

	Povrch se může poškodit vlivem některých saponátů nebo čistících materiálů. Nepoužívejte agresivní saponáty, čisticí prášek/mléko ani ostré předměty při čištění.
--	--

	Na čištění spotřebiče nepoužívejte parní čističe, mohlo by dojít k zásahu elektrickým proudem.
--	--

Čištění ovládacího panelu

Vyčistíte ovládací panel a tlačítka vlhkým hadříkem a otřete je do sucha.

	Pokud je Váš výrobek vybaven tlačítky/knoflíky, při čištění ovládacího panelu ovládací knoflíky nesundávejte. Ovládací panel by se mohl poškodit.
--	--

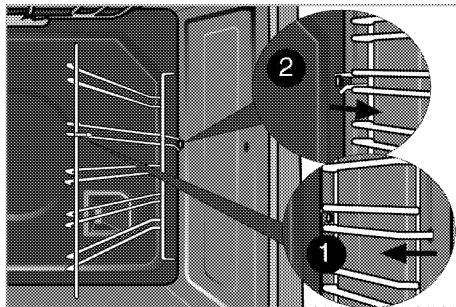
Čištění trouby

Čištění boční stěny

(Tato funkce je volitelná. Nemusí být součástí vašeho výrobku.)

1. Sejměte přední stranu boční police tak, že ji zatáhnete v opačném směru od boční stěny.

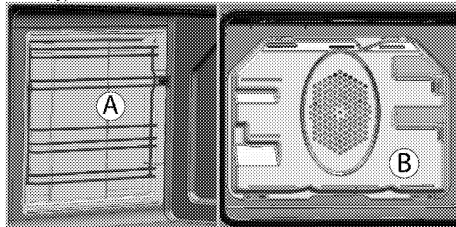
2. Vyjměte boční polici zcela tím, že ji přitáhnete k sobě.



Katalytické stěny

(Tato funkce je volitelná. Nemusí být součástí vašeho výrobku.)

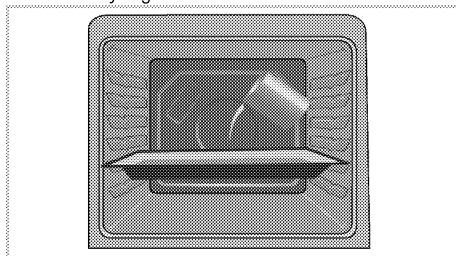
Vnitřní boční stěny (A) a/nebo zadní stěna (B) vašeho výrobku mohou být potaženy katalytickým smaltem. Katalytické stěny mají světle matovanou barvu a porézní povrch. Katalytické stěny trouby se nesmějí čistit. Porézní povrch katalytických stěn se čistí sám tím, že pohlcuje a přeměňuje prskající tuk (pára a oxid uhličitý).



Snadné parní čištění

Zajišťuje snadné čištění, protože nečistota (pokud není příliš stará) se změkčí párou, která se vytvoří uprostřed trouby a zkondenzované kapky vody omyjí vnitřní povrch trouby.

1. Z trouby vyjměte všechna příslušenství.
2. Do plechu nalijte 500 ml vody a umístěte plech na druhý regál v troubě.



- Nastavte troubu do režimu snadné čištění parou a běh na 100 ° C po dobu 25 minut.
- Otevřete dveře a vlhkou houbou nebo hadříkem otřete vnitřní povrchy trouby.
- Výrobek omyjte vodou s mycím přípravkem a hadříkem nebo houbou a osušte ji suchým hadrem.

Čištění dvířek trouby

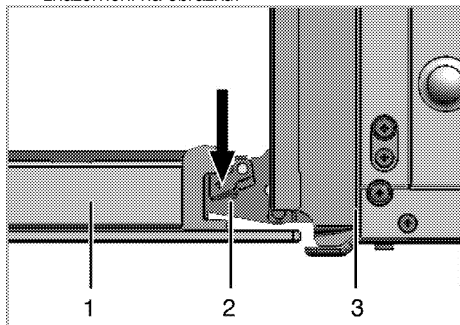
Chcete-li vyčistit dvířka trouby, použijte teplou vodu se saponátem, měkký hadřík nebo houbičku a vyčistěte výrobek, pak jej otřete suchým hadříkem.



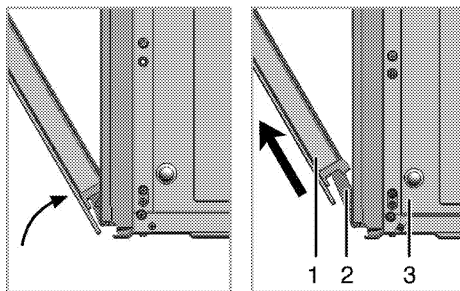
K čištění dvířek trouby nepoužívejte žádná hrubá brusná čistidla ani drátěnky. Mohou poškrábat povrch a poškodit sklo.

Odstranění dvířka trouby.

- Otevřete přední dvířka (1).
- Otevřete svorky v krytu pantu (2) na pravé a levé straně předních dveří tím, že zatlačíte dle znázornění na obrázku.



- Přední dveře
- Závěs
- trouba



- Posuňte přední dveře na půl cesty.
- Demontujte přední dvířka tak, že je zatlačíte nahoru, pokud je chcete uvolnit z pravého a levého závěsu.



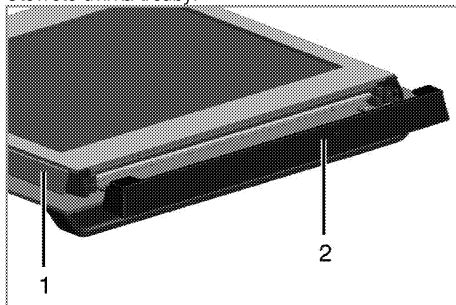
Při instalaci dvířek postupujte podle stejných kroků jako při jejich odstranění, jen v obráceném pořadí. Nezapomeňte zavřít svorky u krytu závěsu při opětovné montáži dveří.

Odstranění vnitřního skla dvířek

(Tato funkce je volitelná. Nemusí být součástí vašeho výrobku.)

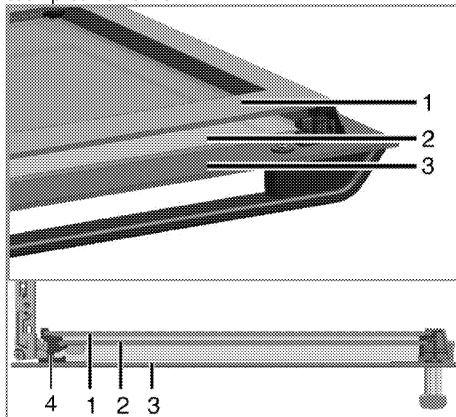
Vnitřní tabuli skla dvířek trouby lze demontovat z důvodu vyčištění.

Otevřete dvířka trouby.



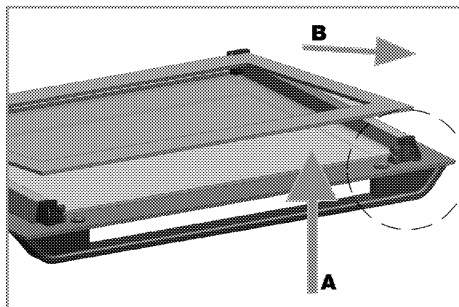
- Rám
- Plastový díl

Přitáhněte k sobě a sejměte plastovou část na horní části předních dvířek.



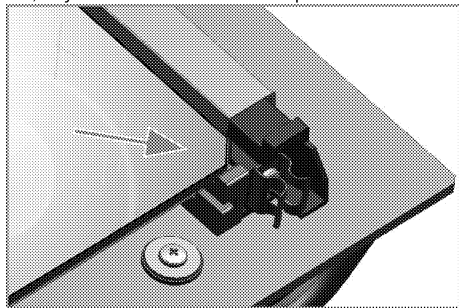
- Vnitřní skleněná tabule
- Vnitřní skleněná tabule
- Vnější skleněná tabule
- Plastový otvor skleněné tabule - dolní

Podle obrázku zvedněte vnitřní skleněnou tabuli (1) ve směru **A** a vytáhněte ji ve směru **B**. Tento postup zopakujte při demontáži vnitřní skleněné tabule (2).



Prvním krokem při montáži dvířek je nainstalování vnitřní skleněné tabule (2).

Podle obrázku vložte skosený růžek skleněné tabule tak, aby zůstal ve skoseném rohu plastového otvoru.



Vnitřní skleněnou tabulí (2) je nutno instalovat do plastového otvoru u nevnitřnější skleněné tabule (1). Při instalaci vnitřní skleněné tabule (1), zkontrolujte, zda potištěná strana tabule směřuje k nevnitřnější skleněné tabuli.

Je nutné usadit dolní rohy všech vnitřních skleněných tabulí do dolních plastových otvorů.

Zatlačte plastovou část k rámu, dokud nezacvakne.

Výměna vnitřní žárovky



NEBEZPEČÍ:

Před výměnou žárovky trouby zkontrolujte, zda je výrobek odpojen a vychladl, aby nedošlo k úrazu elektrickým proudem.

Horké povrchy mohou způsobovat popáleniny!

i Žárovka je zvláštní typ, který odolává teplotám do 300 °C. Podrobnosti najdete v *Technické parametry, strana 11*. Žárovky v troubě získáte od autorizovaného servisního pracovníka.

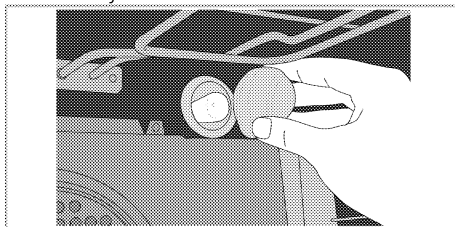
i Poloha žárovky se může lišit oproti obrázku.

i Žárovka použitá v tomto spotřebiči není vhodná k osvětlení místnosti. Zamýšleným účelem této žárovky je pomoci uživateli vidět na potraviny.

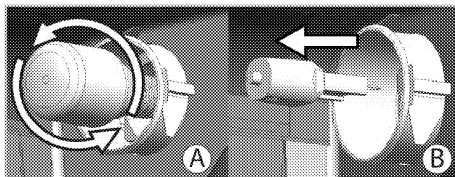
i Žárovky použité v tomto spotřebiči musí vydržet extrémní fyzické podmínky, např. teploty nad 50 °C.

Pokud je vaše trouba vybavena kulatou žárovkou:

1. Odpojte výrobek na napájení.
2. Sejměte skleněný kryt otočením proti směru hodinových ručiček.



3. Jestliže je vaše světlo v troubě typu (A), který je vyobrazen níže, vyjměte světlo otočením (viz obrázek) a vyměňte ho. Jestliže je světlo typu (B), zatáhněte a vyjměte světlo (viz obrázek) a vyměňte ho.



4. Nainstalujte skleněný kryt.

7 Odstraňování potíží

Z trouby za provozu vychází pára.

- Je normální, že při provozu uniká pára. >>> *Nejde o závadu.*

Při zahřívání a ochlazování výrobek vydává kovový zvuk.

- Když se zahřejí kovové součástky, mohou se rozpinat a způsobovat hluk. >>> *Nejde o závadu.*

Výrobek nehřeje.

- Hlavní pojistka je vadná nebo uvolněná. >>> *Zkontrolujte pojistky v pojistkové skříni. Pokud je to nutné, vyměňte je nebo znovu aktivujte.*
- Výrobek není zapojen do (uzemněné) zásuvky. >>> *Zkontrolujte zapojení zástrčky.*

Světlo trouby nefunguje.

- Je vadná žárovka v troubě. >>> *Vyměňte žárovku v troubě.*
- Elektrina je odpojená. >>> *Zkontrolujte, zda je připojená elektrina. Zkontrolujte pojistky v pojistkové skříni. Pokud je to nutné, vyměňte je nebo znovu aktivujte.*

Trouba nehřeje.

- Možná není nastavena na určitou funkci pečení nebo teplotu. >>> *Nastavte troubu na určitou funkci pečení nebo teplotu.*
- V typech vybavených časovačem není nastaven časovač. >>> *Nastavte čas. (U výrobků s mikrovlnnou troubou časovač řídí pouze mikrovlnnou troubu.)*
- Elektrina je odpojená. >>> *Zkontrolujte, zda je připojená elektrina. Zkontrolujte pojistky v pojistkové skříni. Pokud je to nutné, vyměňte je nebo znovu aktivujte.*

(V typech s časovačem) Displej hodin bliká nebo svítí symbol hodin.

- Došlo k výpadku energie. >>> *Nastavte čas/Přístroj vypněte a znovu zapněte.*



Pokud nemůžete odstranit poruchu ani poté, co jste postupovali podle pokynů obsažených v této části, obraťte se na autorizovaného servisního pracovníka nebo prodejce, u něhož jste výrobek zakoupili. Nikdy se nepokoušejte opravovat vadný výrobek sami.

ZÁKAZNICKÉ CENTRUM BEKO

BEKO Spolka Akcyjna, org. sl. Lužná 716/2, 160 00 Praha 6 – Vokovice

7 dní v týdnu od 8:00 do 18:00

pomůže vyřešit záruční, případně pozáruční opravy výrobků BEKO

kontakt	220 105 371
	800 350 333
e-mail	zakaznickecentrum@bekosa.cz
Objednávka opravy spotřebiče online	www.bekocr.cz
5 LET ZÁRUKY – podmínky a registrace online	www.bekocr.cz

ZÁRUČNÍ PODMÍNKY ČR

a) Platný a čitelný prodejní doklad, který obsahuje datum prodeje, model spotřebiče a označení prodejce opravňuje uživatele využít záruku na výrobek v souladu s ustanoveními Občanského zákoníku, v platném znění.

b) Není-li stanoveno jinak, je záruční doba na výrobek 24 měsíců. Začíná plynout ode dne převzetí věci kupujícím vyjma případu, kdy je nutné uvedení do provozu oprávněnou firmou. V tom případě začne záruční doba plynout ode dne uvedení výrobku do provozu.

Výrobky vyžadující odborné zapojení: plynové a kombinované sporáky a varné desky, dále všechny spotřebiče, které nejsou vybaveny přívodním elektrickým kabelem zakončeným vidlicí. Zapojení spotřebiče je službou hrazenou zákazníkem. Dovozece nezodpovídá za poškození vzniklé chybnou instalací a chybným zapojením výrobku.

c) Záruka vyplývající z těchto záručních podmínek může být uplatněna pouze na území České republiky a týká se pouze a výhradně spotřebičů dovezených do ČR prostřednictvím naší společnosti, BEKO Spolka Akcyjna, org. sl. Lužná 716/2, 160 00 Praha 6 – Vokovice, která je oficiálním zastoupením značky BEKO pro Českou republiku.

d) Záruka je poskytována kupujícímu (konečnému spotřebiteli) v souladu se zákonem č. 634/1992 Sb., o ochraně spotřebitele v platném znění, na výrobek sloužící běžnému používání v domácnosti. Výrobek není určen k průmyslovému použití a poskytování služeb. Spotřebiče, které nejsou používány v domácnosti, nejsou předmětem záruky (hotelová a restaurační zařízení, školská zařízení, úklidové firmy, atd...)

e) Práva ze zodpovědnosti za vady výrobku se uplatňují u prodávajícího. Záruční oprava se vztahuje výhradně na závady, které vzniknou v době platnosti záruční lhůty a to výrobní vadou. Takto vzniklé závady je oprávněn odstranit pouze autorizovaný servis.

O odstranění vad výrobku v záruční lhůtě je kupující oprávněn požádat prodejce nebo Zákaznické centrum BEKO tel: 220 105 371 (800 350 333) http://www.bekocr.cz/oprava_spotrebice.

f) Zákazník musí při objednání opravy nahlásit datum prodeje, model spotřebiče, výrobní a produktové číslo, které se nachází na výrobním štítku každého spotřebiče. Bez nahlášení těchto údajů nebude moci být požadavek zákazníka na bezplatnou opravu vyřešen. Zákazník je také dále povinen poskytnout autorizovanému servisu součinnost potřebnou k ověření existence případně odstranění reklamované vady.

g) Při návštěvě servisního technika kupující prokáže existenci záruky předložením čitelného prodejního dokladu nebo certifikátu 5 let záruky BEKO. Po provedení záruční opravy jsou autorizovaná servisní střediska nebo prodávající povinni vydat kupujícímu čitelnou kopii opravního listu nebo doklad o uplatnění práva záruky a době trvání opravy. Po dobu záruky je kupující povinen uschovat veškeré doklady související s koupí a servisem výrobku. Opravní list slouží k prokazování práv kupujícího, proto je ve vlastním zájmu kupujícího si zkontrolovat před podpisem veškeré údaje. Záruční lhůta se v případech, kdy závada znemožnila používání výrobku, prodlužuje o dobu, kdy kupující uplatnil nárok na záruční opravu u autorizovaného střediska až do dne převzetí opraveného výrobku.

h) Výrobek musí být instalován a provozován podle návodu k obsluze a platných norem. Funkce chladniček, mrazniček a jiných kombinací je zaručena při okolní teplotě od +10°C do +32°C.

i) Touto zárukou nejsou dotčena práva kupujícího, která se ke koupi věci váží podle zvláštních právních předpisů.

j) Společnost BEKO Spolka Akcyjna, org. sl. Lužná 716/2, 160 00 Praha 6 – Vokovice nabízí spotřebitelům na vybrané modely prodlouženou záruku vcelkové délce trvání 5 let. Předmětem této nadstandardní záruky je bezplatné odstraňování výrobních vad po dobu následujících 36 měsíců od skončení zákonné dvouleté záruční lhůty. Podmínkou získání certifikátu prodloužené záruky je splnění veškerých podmínek uvedených na www.bekocr.cz. O odstranění vad výrobku v prodloužené záruční lhůtě je kupující oprávněn požádat Zákaznické centrum BEKO tel.: 220 105 371 (800 350 333) <http://www.bekocr.cz/oprava-spotrebice>.

Při opravě v rámci prodloužené záruky je uživatel povinen autorizovanému servisu předložit platný certifikát prodloužené záruky a prodejní doklad.

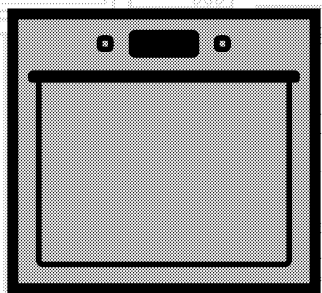
V době trvání prodloužené záruky bude oprávněná reklamacie řešena opravou nebo dodáním náhradního dílu. V případě neodstranitelné vady zajistí dovozce přímo u zákazníka výměnu výrobku za nový. Nárok na výměnu uplatňuje zákazník po zaslání všech potřebných dokladů /platný certifikát, doklad o zakoupení, vyjádření servisního technika/ na e-mail: reklamacie@bekosa.cz nebo poštou na adresu BEKO Spolka Akcyjna, org. sl. Lužná 716/2, 160 00 Praha 6 – Vokovice. Spotřebitel nemá právo v průběhu prodloužené záruky na vrácení kupní částky. Uplatnění práva na bezplatné odstraňování výrobních vad podléhá zde uvedeným všeobecným záručním podmínkám.

Právo na uplatnění záruky zaniká pokud:

- není výrobek používán v souladu s návodem
- došlo k mechanickému poškození výrobku cizím zaviněním, při nesprávné údržbě nebo jiným zanedbáním péče o výrobek
- byl na výrobku proveden neodborný zásah neoprávněnou osobou
- plynové spotřebiče nebo spotřebiče s napájením 400V nebyly uvedeny do provozu odbornou firmou
- došlo k mechanickému poškození při přepravě
- je vada způsobená vnějšími podmínkami, jako jsou např. poruchy v elektrické síti nebo vadná bytová instalace, nevhodnými provozními podmínkami, poškození živlem
- je výrobek vadný z důvodu použití neoriginálního příslušenství a náhradních dílů
- kuchyňská linka, do které je výrobek zabudovaný, nespĺňuje technické parametry
- záruka se dále nevztahuje na preventivní údržbu popsanou v návodu k obsluze, popřípadě závady způsobené nevhodnou manipulací, na opotřebením vzniklé běžným používáním, mechanické poškození skleněných a plastových komponentů
- záruka se nevztahuje na návštěvu technika za účelem poradenství, preventivní kontrolu stavu spotřebiče, výměnu náhradního dílu, který nevyžaduje odborný zásah, záměna směru otvírání dveří chladniček

Vstavaná rúra

Používateľská príručka



SK

beko

Túto príručku si prečítajte ako prvú!

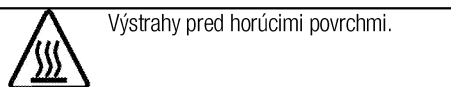
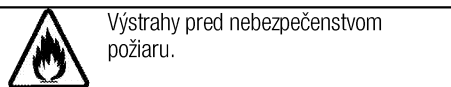
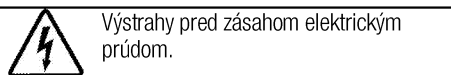
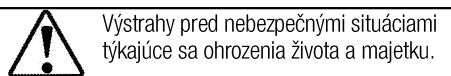
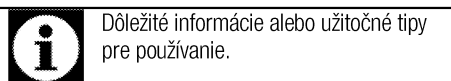
Vážení zákazníci,

Ďakujeme, že ste si vybrali výrobok Beko. Dúfame, že sa dočkáte tých najlepších výsledkov od výrobku, vyrobeného vo vysokej kvalite a s najmodernejšími technológiami. Preto vám odporúčame, aby ste si túto používateľskú príručku a iné sprievodné dokumenty prečítali pred použitím výrobku celé a aby ste si ich odložili pre referenciu v budúcnosti. Ak rúru prevediete na inú osobu, dajte tejto osobe aj užívateľskú príručku. Riadte sa všetkými varovaniami a informáciami užívateľskej príručky.

Pamätajte si, že táto užívateľská príručka sa môže vzťahovať aj na niektoré ďalšie modely. Rozdiely medzi modelmi sú v príručke presne vymedzené.

Vysvetlivky k symbolom

V celej užívateľskej príručke sa používajú nasledujúce symboly:



Arçelik A.Ş.
Karaağaç caddesi No:2-6
34445 Sütlüce/Istanbul/TURKEY
Made in TURKEY

1 Dôležité pokyny týkajúce sa bezpečnosti a životného prostredia.4

Všeobecná bezpečnosť	4
Elektrická bezpečnosť	4
Bezpečnosť produktu	5
Zamýšľané použitie	7
Bezpečnosť detí	7
Likvidácia starého výrobku	8
Likvidácia obalového materiálu	8
Budúca preprava	8

2 Všeobecné informácie 9

Prehľad	9
Obsah balenia	10
Technické parametre	11

3 Montáž 12

Pred montážou	12
Montáž a pripojenie	14

4 Prípravy 16

Tipy na šetrenie energiou	16
Prvé použitie	16
Nastavenie času	16
Prvé čistenie výrobku	16
Prvé zahriatie	16

5 Práca s rúrou 18

Všeobecné informácie o pečení, opekaní a grilovaní	18
Práca s elektrickou rúrou	18
Prevádzkové režimy	19
Používanie hodín rúry	20
Harmonogramy varenia	22
Prevádzka grilu	23
Varné harmonogramy pre grilovanie	23

6 Údržba a starostlivosť 24

Všeobecné informácie	24
Čistenie ovládacieho panela	24
Čistenie rúry	24
Odstránenie dvierok rúry	25
Odstránenie vnútorného skla dvierok	25
Výmena žiarovky v rúre	26

7 Riešenie problémov 27

1 Dôležité pokyny týkajúce sa bezpečnosti a životného prostredia.

Táto časť obsahuje bezpečnostné pokyny, ktoré vám pomôžu predísť riziku zranenia a poškodenia majetku. Porušenie týchto pokynov môže viesť k zrušeniu záruky.

Všeobecná bezpečnosť

- Tento spotrebič nesmie byť používaný deťmi vo veku menej ako 8 rokov a osobami so zníženými fyzickými, zmyslovými alebo duševnými schopnosťami alebo osobami s nedostatkom skúseností a znalostí, ak nie sú pod dozorom zodpovednej osoby alebo ak nedostanú pokyny týkajúce sa bezpečného používania spotrebiča alebo nerozumejú možným rizikám. Deti sa so spotrebičom nesmú hrať. Čistenie a užívateľská údržba stroja nesmie byť vykonávaná deťmi bez dozoru.
- Spotrebič nie je určený na použitie osobami (vrátane detí) so zníženými fyzickými, senzorickými alebo duševnými schopnosťami alebo bez nedostatku skúseností, bez toho, aby boli pod dohľadom alebo preškolení. Deti sa so spotrebičom nesmú hrať.
- Ak výrobok dáte niekomu inému na osobné využitie alebo využitie z

druhej ruky, mali by ste mu dať aj návod na použitie, štítky produktov a ďalšie relevantné dokumenty a súčasti.

- Montáž a opravu musia vždy vykonávať autorizovaní servisní technici. Výrobca nebude zodpovedný za škody, ktoré majú pôvod v postupoch, ktoré vykonávajú neoprávnené osoby a môže to mať za následok zrušenie záruky. Pred montážou si pozorne prečítajte tieto pokyny.
- Ak je výrobok chybný alebo ak má akékoľvek viditeľné poškodenie, nepoužívajte ho.
- Po každom použití skontrolujte, či je funkčný gombík vypnutý.

Elektrická bezpečnosť

- Ak má produkt poruchu, nemal by sa obsluhovať, kým ho neopraví autorizovaný servisný technik. Hrozí riziko zásahu elektrickým prúdom!
- Len pripojte výrobok k uzemnenej zásuvke/sieti s napätím a ochranou ako je to uvedené v časti „Technické špecifikácie“. Ak používate výrobok s transformátorom alebo bez neho, montáž uzemnenia prenechajte na kvalifikovaného elektrikára. Naša spoločnosť nebude niest

zodpovednosť za žiadne problémy spôsobené neuzemnením v súlade s miestnymi predpismi.

- Výrobok nikdy neumývajte rozptýlením alebo nalievaním vody naň! Hrozí riziko zásahu elektrickým prúdom!
- zástrčky sa nikdy nedotýkajte mokrými rukami! Nikdy neodpájajte vytiahnutím kábla, vždy vytriahnite uchopením zástrčky.
- Výrobok sa počas montáže, údržby a postupov čistenia a opravy musí odpojiť.
- Ak je kábel sieťového pripojenia pre výrobok poškodený, musí ho vymeniť výrobca, jeho servisný agent alebo podobne kvalifikovaná osoba, aby sa predišlo rizikám.
- Zariadenie sa musí namontovať tak, aby sa úplne mohlo odpojiť od siete. Oddelenie sa musí zabezpečiť buď sieťovou zástrčkou alebo spínačom zabudovaným do pevnej elektrickej inštalácie v súlade s montážnymi predpismi.
- Počas používania sa zadná stena rúry zohrieva. Uistite sa, že pripojenie elektriny sa nedotýka zadného povrchu, inak sa spojenia môžu poškodiť.
- Nedovoľte, aby sa sieťový kábel zachytil medzi dvierka rúry a rám,

ani ho nenasmerujte cez horúce povrchy. Inak sa izolácia káblov môže roztaviť a spôsobiť požiar v dôsledku skratu.

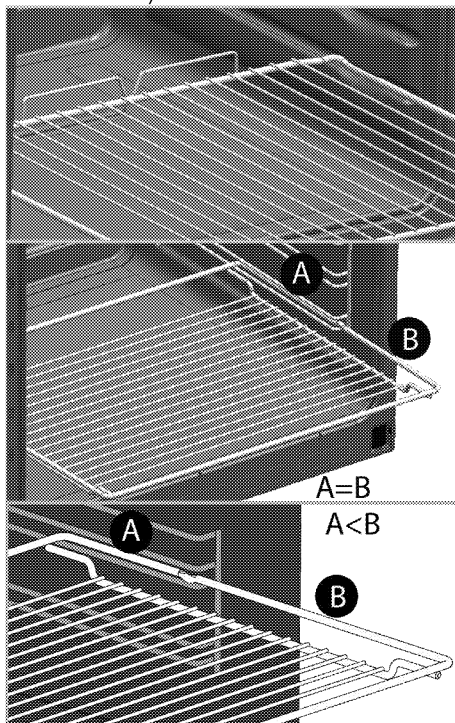
- Všetky práce na elektrických zariadeniach a systémoch by mali vykonávať iba autorizovaní kvalifikovaní odborníci.
- V prípade akéhokoľvek poškodenia vypnite prístroj a odpojte ho od sieťového zdroja. Aby ste tak urobili, vypnite poistky v domácnosti.
- Uistite sa, že menovitý výkon hodnota poistky je kompatibilný s výrobkom.

Bezpečnosť produktu

- **VÝSTRAHA:** Spotrebič a jeho prístupné časti sa môžu počas používania veľmi zohriať. Dávajte pozor, aby ste sa nedotkli výhrevných prvkov. Deti vo veku do 8 rokov udržiavajte mimo dosah, okrem prípadu, že na ne neustále dozeráte.
- Výrobok nikdy nepoužívajte v prípade, keď máte ovplyvnený úsudok alebo koordináciu po požití alkoholu a/alebo liekov.
- Ak v riadoch používate alkoholické nápoje, dávajte pozor. Alkohol sa pri vysokých teplotách vyparuje a môže spôsobiť požiar, pretože sa môže vznietiť, ak príde do styku s horúcimi povrchmi.

- Nekladte žiadne horľavé látky do blízkosti produktu, pretože bočné strany sa počas používania zahrejú.
- Počas používania sa spotrebič zahreje. Dávajte pozor, aby ste sa nedotkli výhrevných prvkov vo vnútri rúry.
- Nezakrývajte žiadny z vetracích otvorov.
- V rúre neohrievajte uzatvorené konzervy a sklenené poháre. Tlak, ktorý sa v plechovke/pohári nahromadí, môže spôsobiť, že pohár praskne.
- Nekladte pekáče, riad alebo hliníkové fólie priamo na dno rúry. Nahromadenie tepla môže poškodiť dno rúry.
- Na čistenie sklenených dvierok rúry nepoužívajte silné abrazívne čistiace prostriedky ani ostré kovové škrabky, pretože môžu poškrabať povrch, čoho dôsledkom môže byť rozbitie skla.
- Na čistenie zariadenia nepoužívajte parné čističe, pretože by to mohlo spôsobiť zásah elektrickým prúdom.
- (Líši sa v závislosti od modelu produktu.)
Správne umiestnenie drôtovej poličky a plechu na drôtené podstavce
Je dôležité, aby ste správne umiestnili drôtenú poličku a/alebo

plech na podstavec. Drôtenú poličku alebo plech zasunúte medzi 2 vodiace lišty a skôr, ako naň položíte jedlo, uistite sa, že je v rovnováhe (pozrite si nasledujúci obrázok).



- Ak je sklo na predných dvierkach odstránené alebo prasknuté, výrobok nepoužívajte.
- Rukoväť rúry nie je určená na sušenie utierok. Počas používania funkcie grilovania nedávajte na otvorené dvierka utierky, rukavice ani podobné výrobky.
- Keď vkladáte alebo vyberáte nádoby do alebo z horúcej rúry, používajte vždy teplovzdorné rukavice určené na použitie v rúre.

- Papier na pečenie dajte do pekáča alebo do príslušenstva rúry (plech, gril, atď.) spoločne s jedlom a potom všetko zasuňte do predhriatej rúry. Odstráňte časti papiera na pečenie prečnievajúce okraje pekáča alebo príslušenstvo, aby ste predišli nebezpečenstvu kontaktu s vykurovacími telesami v rúre. Papier na pečenie nikdy nepoužívajte pri teplote prekračujúcej uvedenú hodnotu na obale papiera na pečenie. Papier na pečenie nedávajte priamo na dno rúry.
- **VÝSTRAHA:** Uistite sa, že je spotrebič vypnutý predtým ako vymeníte lampu, vyhnete sa tak možnosti elektrického šoku.
- Spotrebič nesmie byť inštalovaný za ozdobnými dvierkami, aby sa zabránilo prehriatiu.

Záruka produktu voči požiaru

- Uistite sa, že zástrčka zapojená v zásuvke tak aby nedošlo k iskreniu.
- Nepoužívajte poškodené, zrezané alebo nadpojené káble, výnimkou sú iba originálne káble.
- Uistite sa, že v zásuvke, do ktorej bude produkt pripojený nie je vlhko.

Zamýšľané použitie

- Tento výrobok je navrhnutý na používanie v domácnosti. Komerčné využitie nie je prípustné.

- Tento spotrebič je určený len na varenie. Nesmie sa používať na iné účely, napríklad na vykurovanie miestnosti.
- Tento výrobok sa nesmie používať na ohrievanie tanierov pod grilom, na sušenie uterákov, utierok atď. tak, že ich zavesíte na rúčky a na vykurovacie účely.
- Výrobca nebude zodpovedný za žiadne škody spôsobené nesprávnym používaním alebo manipuláciou.
- Rúra sa môže používať na odmrazovanie, pečenie, opekanie a grilovanie jedla.

Bezpečnosť detí

- **VÝSTRAHA:** Prístupné časti môžu byť počas použitia horúce. Uchovajte z dosahu malých detí.
- Obalové materiály sú pre deti nebezpečné. Obalové materiály držte mimo dosahu detí. Likvidujte všetky časti balenia v súlade s predpismi o životnom prostredí.
- Elektrické výrobky sú pre deti nebezpečné. Držte deti mimo dosahu výrobku, keď pracuje a nedovoľte deťom, aby sa s výrobkom hrali.
- Nad spotrebič neukladajte žiadne veci, na ktoré by deti mohli dosiahnuť.
- Keď sú dvierka otvorené, nekladajte na spotrebič žiadne

ťažké predmety a nedovoľte deťom sedieť na spotrebiči. Môže sa prevrátiť alebo sa môžu poškodiť pánty dvierok.

Likvidácia starého výrobku

V súlade so smernicou o odpadoch z elektrických a elektronických zariadení a zneškodňovaní odpadov:



Tento produkt je v súlade so smernicou o odpadoch z elektrických a elektronických zariadení EÚ (2012/19/EÚ) Tento produkt obsahuje symbol triedeného odpadu pre odpadové elektrické a elektronické vybavenie (WEEE).

Tento produkt bol vyrobený z vysoko kvalitných častí a materiálov, ktoré môžu byť znovu použité a sú vhodné na recykláciu. Na konci životnosti odpad z produktu neodstraňujte s bežným odpadom z domácnosti ani s iným odpadom. Recyklujte ho v zbernom mieste určenom na recykláciu elektrického a elektronického vybavenia. Pre zistenie informácií o zberných miestach kontaktujte miestne úrady.

V súlade s Obmedzením používania niektorých nebezpečných látok v elektronických a elektrických zariadeniach:

Tento produkt bol zakúpený v súlade so smernicou o odpadoch z elektrických a elektronických zariadení EÚ

(2011/65/EÚ) Neobsahuje žiadne nebezpečné alebo zakázané materiály špecifikované smernicou.

Likvidácia obalového materiálu

- Obalové materiály sú pre deti nebezpečné. Obalové materiály uchovávajte na bezpečnom mieste, mimo dosahu detí. Obalové materiály výrobku sú vyrobené z recyklovateľných materiálov. Riadne ich zlikvidujte a roztriedte v súlade s pokynmi na recykláciu odpadu. Nelikvidujte ich spolu s bežným odpadom z domácnosti.

Budúca preprava

- Odložte si pôvodnú krabicu z výrobku a výrobok prepravujte v nej. Postupujte podľa pokynov na krabici. Ak nemáte pôvodnú krabicu, výrobok zabaľte do bublinkového obalu alebo do hrubého kartónu a bezpečne ho zalepte páskou.
- Aby ste drôtenému grilu a podnosu v rúre zabránili poškodeniu dvierok rúry, na vnútornú stranu dvierok rúry vložte pás kartónu, ktorý sa zhoduje s polohou podnosov. Zalepte páskou dvierka rúry s bočnými stenami.
- Na dvíhanie alebo prenášanie výrobku nepoužívajte dvierka, ani rúčku.



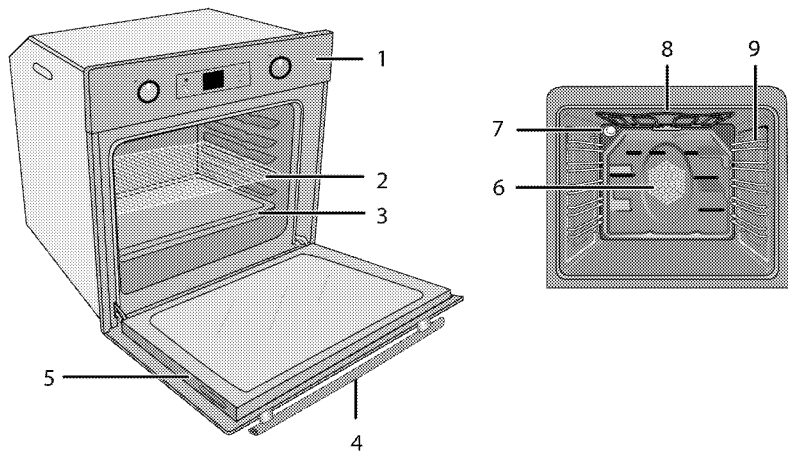
Na výrobok nekladte žiadne predmety a presúvajte ho vo vzpriamenej polohe.



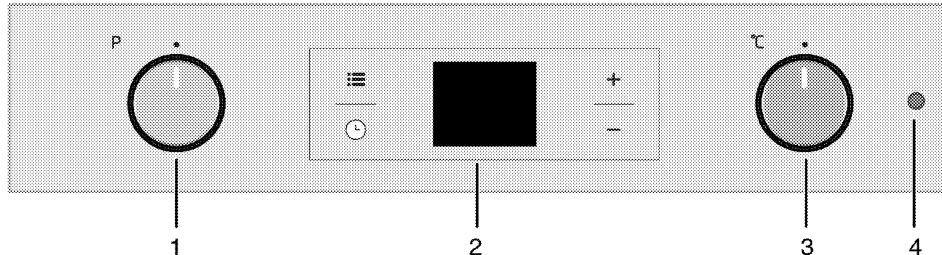
Skontrolujte celkový vzhľad výrobku, či neobsahuje akékoľvek poškodenie, ktoré sa mohlo vyskytnúť pri preprave.

2 Všeobecné informácie

Prehľad



- | | | | |
|---|-----------------|---|---|
| 1 | Ovládací panel | 6 | Motor ventilátora (za oceľovou platňou) |
| 2 | Drôtená polička | 7 | Svetlo |
| 3 | Plech | 8 | Horný ohrevný prvok |
| 4 | Rúčka | 9 | Polohy políc |
| 5 | Dvierka | | |



- | | |
|---|-------------------|
| 1 | Funkčný gombík |
| 2 | Digitálny časovač |
| 3 | Gombík termostatu |
| 4 | Svetlo termostatu |

Obsah balenia

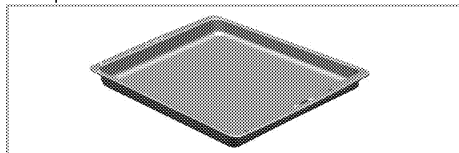


Dodané príslušenstvo sa môže odlišovať v závislosti od modelu produktu. Všetko príslušenstvo popísané v používateľskej príručke sa s vaším produktom nemusí dodávať.

1. Používateľská príručka

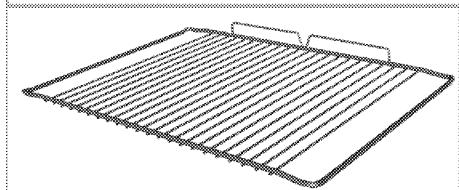
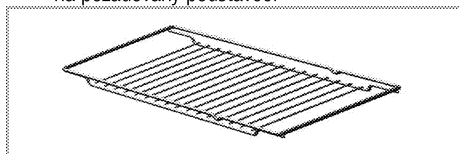
2. Plech do rúry

Používa sa pre cestoviny, mrazené jedlá a veľké pečenie.



3. Drôtená polička

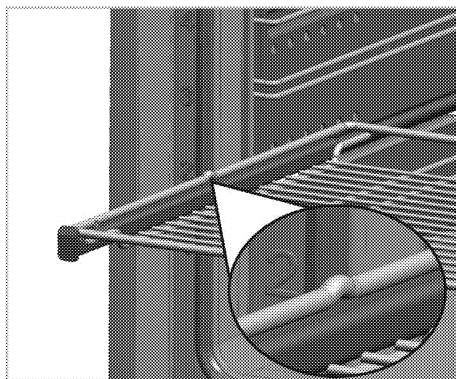
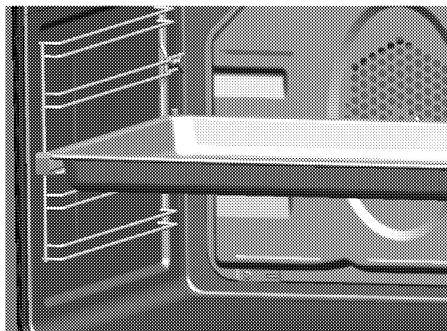
Používa sa na opekánie a na polozenie pokrmov, ktoré budete piecť, opekať alebo variť v misách na požadovaný podstavec.



4. Správne umiestnenie drôtenej poličky a plechu na teleskopické podstavce (Táto funkcia je voliteľná. Vo vašom produkte nemusí existovať.)

Teleskopické podstavce vám umožňujú jednoduché vkladanie a vyberanie plechov a drôtenej poličky.

Pri používaní plechu a drôtenej poličky s teleskopickými podstavcami sa ubezpečte, že kolíky v zadnej časti teleskopického podstavca zapadli na okraje drôtenej poličky a plechu.



Technické parametre

Napätie/frekvencia	220-240 V ~ 50 Hz
Čelkový príkon	2,5 kW
Poistka	16 A
Typ kábla/prierez	min.H05W-FG 3 x 1,5 mm ²
Vonkajšie rozmery (výška/šírka/hĺbka)	595 mm/594 mm/567 mm
Montážne rozmery (výška/šírka/hĺbka)	**590 alebo 600 mm/560 mm/min. 550 mm
Hlavná rúra	Multifunkčná rúra
Vnútorné osvetlenie	15/25 W
Príkon grilu	2,2 kW

Základy: Informácie na energetickom štítku elektrických rúr sú udávané v súlade s normou EN 60350-1 / IEC 60350-1. Tieto hodnoty sú určené pri štandardnom zaŕazení s funkciami ohrievača z dolnej a hornej strany alebo ohrievania za pomoci ventilátora (ak je súčasťou výrobu).

Trieda energetickej účinnosti je určená v súlade s nasledujúcim stanovením priorit, v závislosti od toho, či má výrobok podstatné funkcie, alebo nie. 1 - Varenie s ekologickým ventilátorom, 2- Varenie s turboventilátorom, 3 - Turbovarenie, 4 - Dolné/horné ohrievanie za pomoci ventilátora, 5 - Horné a dolné ohrievanie.

** Pozrite si časť *Montáž, strana 12*.



Technické parametre sa môžu zmeniť bez predchádzajúceho upozornenia za účelom zlepšenia kvality výrobu.



Obrázky v tejto príručke sú schematické a nemusia sa úplne zhodovať s vaším výrobkom.



Hodnoty uvedené na štítkoch produktov alebo v sprievodnej dokumentácii boli dosiahnuté v laboratórnych podmienkach v súlade s príslušnými normami. V závislosti od prevádzkových podmienok a podmienok okolitého prostredia výrobu sa tieto hodnoty môžu líšiť.

3 Montáž

Výrobok musí namontovať kvalifikovaná osoba podľa platných predpisov. V opačnom prípade záruka stratí platnosť. Výrobca nebude zodpovedný za škody, ktoré majú pôvod v postupoch, ktoré vykonajú neoprávnené osoby a môže to mať za následok zrušenie záruky.



Príprava miesta a montáž prívodov elektriny pre výrobok je na zodpovednosti zákazníka.



NEBEZPEČENSTVO:

Výrobok musí byť namontovaný v súlade so všetkými miestnymi plynovými a/alebo elektrickými nariadeniami.



NEBEZPEČENSTVO:

Pred montážou vizuálne skontrolujte, či na výrobku nie sú žiadne závady.

Ak sú, výrobok nemontujte. Poškodené výrobky predstavujú riziko pre vašu bezpečnosť.

Pred montážou

Spotrebič je určený na montáž v bežne dostupných kuchynských skrinkách. Bezpečná vzdialenosť musí byť ponechaná medzi spotrebičom a kuchynskými stenami a nábytkom. Pozrite si obrázok (hodnoty sú v mm).

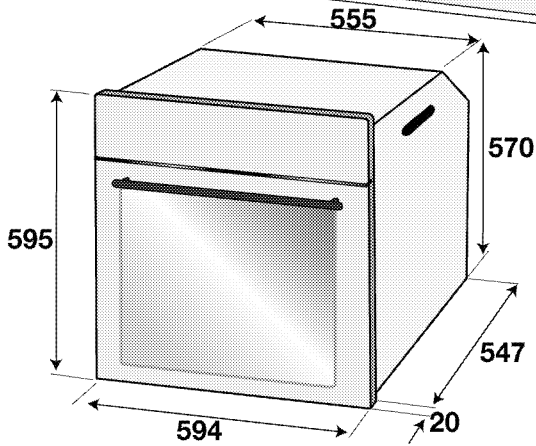
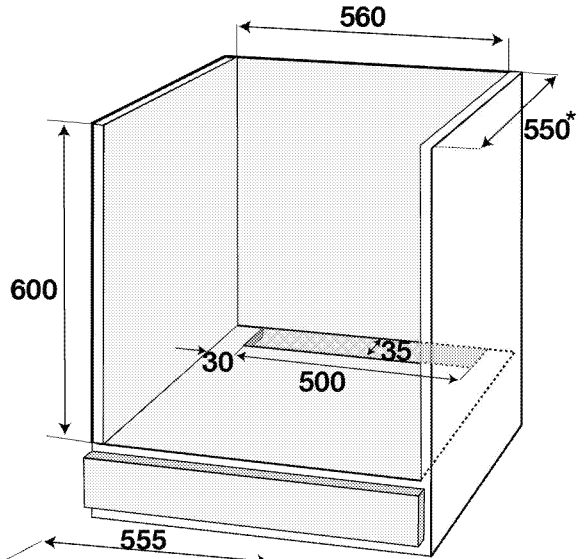
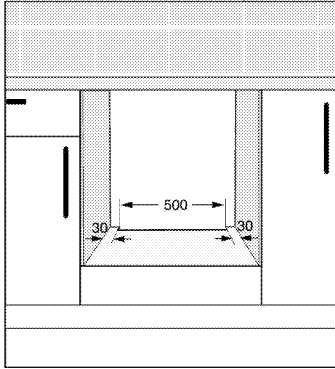
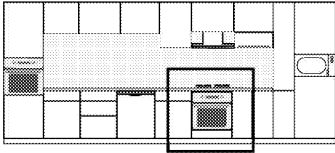
- Povrchy, syntetické lamináty a lepidlá musia byť teplotovzdomé (minimálne 100 °C).
- Kuchynské skrinky musia zarovnané a upevnené.
- Ak je za rúrou zásuvka, medzi rúrou a zásuvku musí byť namontovaná priehradka.
- Prístroj prenášajte za pomoci najmenej dvoch osôb.
- Ak chcete rúru presunúť, držte ju za manipulačný sloty na oboch stranách.
- Pred inštaláciou produktu vyberte zvnútra všetky materiály a dokumenty.
- Kuchynský nábytok musí zodpovedať rozmerom uvedeným na obrázku nižšie. Na zadnej strane kuchynského nábytku je nutné vyrezať otvor s rozmermi uvedenými na obrázku nižšie, aby sa zabezpečilo dostatočné vetranie.



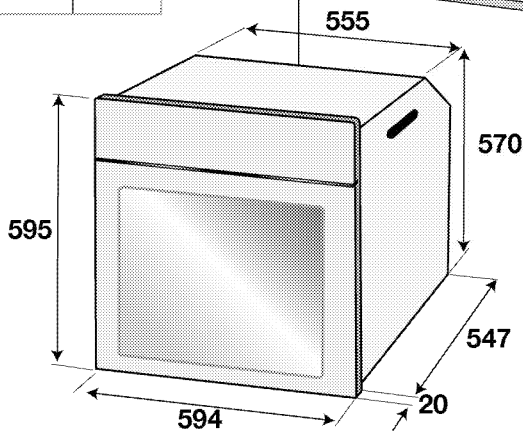
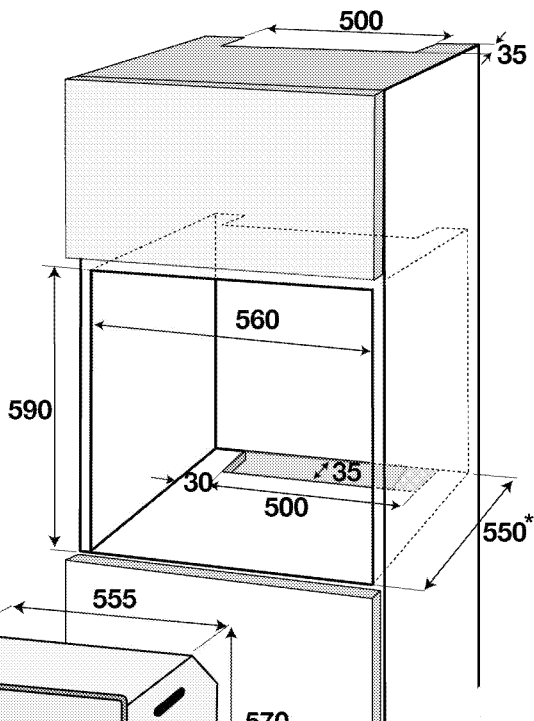
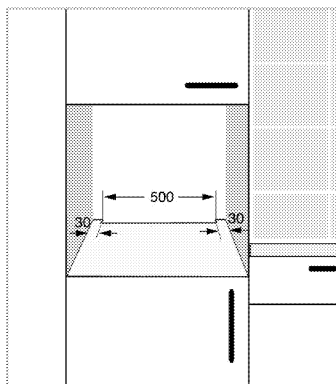
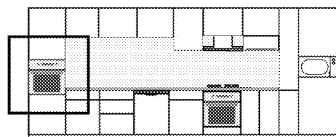
Výrobok nemontujte do blízkosti chladničiek alebo mrazničiek. Teplo, ktoré výrobok vyžaruje, bude zvyšovať spotrebu energie chladiacich spotrebičov.



Na držanie alebo prenášanie výrobku nepoužívajte dvierka a/ani rúčku.



* min.



* min.

Montáž a pripojenie

- Produkt môžete namontovať a pripojiť jedine v súlade so zákonnými pravidlami pre montáž.

Elektrické pripojenie

Výrobok pripojte k uzemnenej zásuvke/sieti, chránenej miniatúrnym ističom s vhodnou kapacitou tak, ako je to uvedené v tabuľke „Technické parametre“. Ak používate výrobok s transformátorom alebo bez neho, montáž uzemnenia prenechajte na kvalifikovaného elektrikára. Naša spoločnosť nezodpovedá za žiadne škody, ktoré sú spôsobené v dôsledku používania

výrobku bez namontovaného uzemnenia v súlade s miestnymi predpismi.



NEBEZPEČENSTVO:

Výrobok musí k sieťovému zdroju pripojiť iba autorizovaná a kvalifikovaná osoba. Záručná doba výrobku začína plynúť iba po správnej montáži.

Výrobca nebude zodpovedný za škody, ktoré majú pôvod v postupoch, ktoré vykonajú neoprávnené osoby.



NEBEZPEČENSTVO:

Sieťový kábel nesmie byť stisnutý, ohnutý, ani stlačený, ani nesmie prísť do styku s horúcimi časťami výrobku.

Poškodený sieťový kábel musí vymeniť kvalifikovaný elektrikár. V opačnom prípade existuje riziko zásahu elektrickým prúdom, skratu alebo požiaru!

- Pripojenie musí byť vykonané v súlade s miestnymi predpismi.
- Údaje sieťového napájania sa musia zhodovať s údajmi uvedenými na typovom štítku výrobku. Otvorte predné dvierka, aby ste videli typový štítok.
- Sieťový kábel vášho výrobku musí byť v súlade s tabuľkou „Technické parametre“.



NEBEZPEČENSTVO:

Pred začatím akejkoľvek práce na elektroinštalácii odpojte výrobok od sieťového zdroja.

Hrozí riziko zásahu elektrickým prúdom!



Zástrčka sieťového kábla musí byť po montáži ľahko dostupná (nenasmerujte ju ponad platňu).

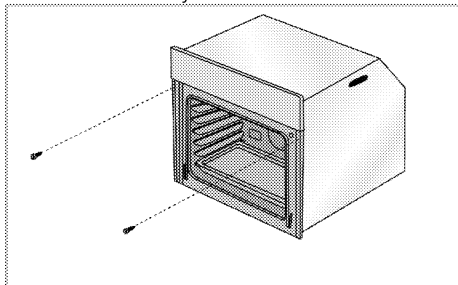


Prí zapájaní spotrebiča treba dodržiavať národné/miestne elektrické predpisy a je potrebné použiť príslušnú zásuvku/konektor a zástrčku pre rúru. V prípade, že výkonové limity spotrebiča presahujú prenosovú kapacitu zástrčky a zásuvky/konektora, musí byť výrobok pripojený priamo cez pevnú elektrickú inštaláciu bez použitia zástrčky a zásuvky/konektora.

Zasuňte sieťový kábel do zásuvky.

Inštalácia produktu

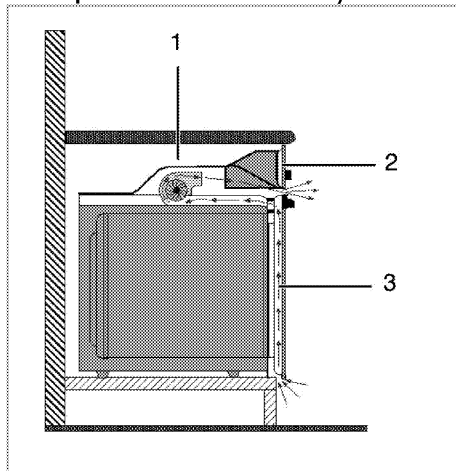
1. Zasuňte rúru do skrinky, zarovnajte ju a zaistite, pričom sa uistíte, že sieťový kábel nie je zlomený a/alebo uviaznutý.



Rúru zaistíte pomocou 2 skrutiek tak, ako je to znázornené.

Po inštalácii zaistíte, aby všetky skrutky boli dostatočne utiahnuté a aby sa rúra nehýbala. Ak inštalácia nebola vykonaná podľa pokynov alebo skrutky neboli dostatočne utiahnuté, za prevádzky sa rúra môže prevrátiť.

Per výrobky s chladiacim ventilátorom (Vo vašom produkte nemusí existovať.)



- 1 Chladiaci ventilátor
- 2 Ovládací panel
- 3 Dvierka

Zabudovaný chladiaci ventilátor chladí tak zabudovanú skrinku, ako aj prednú stranu výrobku.



Chladiaci ventilátor pokračuje v chode ďalších 20 - 30 minút po vypnutí rúry.

Ak varíte naprogramovaním časovača rúry, na konci doby varenia sa spolu so všetkými funkciami vypne aj chladiaci ventilátor.

Záverečná kontrola

1. Ovládanie spotrebiča.
2. Skontrolujte funkcie.

4 Prípravy

Tipy na šetrenie energiou

Nasledujúce informácie vám pomôžu používať váš spotrebič ekologicky a šetriť energiou:

- V rúre používajte tmavé alebo smaltované nádoby, pretože lepšie prenášajú teplo.
- Keď varíte pokrmy, vykonajte predhriatie, ak to odporúča používateľská príručka alebo pokyny na varenie.
- Počas varenia neotvárajte dvierka rúry príliš často.
- Vždy keď je to možné, pokúste sa v rúre variť viac ako len jedno jedlo súčasne. Môžete variť tak, že na drôtenú mriežku položíte dve varné nádoby.
- Varte jedlá hneď za sebou. Rúra už bude horúca.
- Energiu môžete ušetriť aj tak, že rúru vypnete pár minút pred dobou skončenia varenia. Neotvárajte dvierka rúry.
- Pred varením mrazeného jedla ho rozmrazte.

Prvé použitie

Nastavenie času



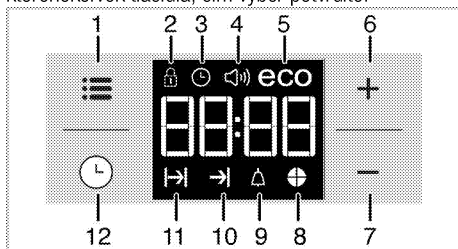
Počas vykonávania akýchkoľvek nastavení budú blikať na displeji príslušné symboly.

Stlačením kláves **+/-** nastavte čas, potom čo rúru prvýkrát zapojíte.



Pri dotykových modeloch ovládania sa najskôr dotknite tlačidla a potom použite **+/-** na nastavenie času.

Potvrďte nastavenie dotknutím sa symbolu a počkajte 4 sekundy bez toho, aby ste sa dotkli ktoréhokoľvek tlačidla, čím výber potvrdíte.



- 1 Tlačidlo nastavenia
- 2 Symbol uzamknutia tlačidiel
- 3 Symbol hodín
- 4 Symbol hlasitosti alarmu (Vo vašom produkte nemusí existovať.)

- 5 Symbol eko režime
- 6 Tlačidlo plus
- 7 Tlačidlo mínus
- 8 Symbol časového koláče
- 9 Symbol Alarm
- 10 Symbol skončenia doby varenia
- 11 Symbol doby varenia
- 12 Tlačidlo programu



Ak nie je počiatočný čas nastavený, hodiny sa spustí od **12:00** a zobrazí sa symbol . Symbol po nastavení času zmizne.



Nastavenia aktuálneho času sa v prípade výpadku prúdu stratia. Bude ich potrebné nastaviť znovu.

Prvé čistenie výrobku



Niektoré saponáty alebo čistiace látky môžu poškodiť povrch.

Počas čistenia nepoužívajte agresívne saponáty, čistiace prášky/krémy, ani žiadne ostré predmety.

Na čistenie skla na dvierkach rúry nepoužívajte hrubé drsné čistiace prostriedky alebo ostré kovové škrabky, pretože môžu poškriabať povrch, čo môže mať za následok rozbitie skla.

1. Odstráňte všetky obalové materiály.
2. Vyuťerajte povrchy produktu vlhkou tkaninou alebo špongiou a utrite ich tkaninou.

Prvé zahriatie

Výrobok zahrievajte asi 30 minút a potom ho vypnite. Dôjde tak k spáleniu a odstráneniu všetkých výrobných zvyškov alebo vrstiev.



VAROVANIE

Horúce povrchy spôsobujú popáleniny! Výrobok môže byť počas používania horúci. Nikdy sa nedotýkajte horúcich horákov, vnútorných častí rúry, ohrievačov atď. Držte mimo dosahu detí.

Keď vkladáte alebo vyberáte nádoby do alebo z horúcej rúry, používajte vždy teplovzdorné rukavice určené na použitie v rúre.

Elektrická rúra

1. Vyberte z rúry všetky plechy na pečenie a drôtený gril.
2. Zatvorte dvierka rúry.
3. Vyberte polohu Static (Statická).

4. Vyberte najvyšší výkon grilu. Pozrite si časť *Práca s elektrickou rúrou, strana 18*.
5. Nechajte rúru bežať po dobu 30 minút.
6. Vypnite rúru; pozrite si časť *Práca s elektrickou rúrou, strana 18*

Grilovacia rúra

1. Vyberte z rúry všetky plechy na pečenie a drôtený gril.
2. Zatvorte dvierka rúry.
3. Vyberte najvyšší výkon grilu. Pozrite si časť *Prevádzka grilu, strana 23*.

4. Nechajte rúru bežať po dobu 30 minút.
5. Vypnutie grilu si pozrite v časti *Prevádzka grilu, strana 23*



Dym a zápach sa môžu šíriť niekoľko hodín počas prvej prevádzky. Toto je úplne normálne. Zaisťte, aby bola miestnosť dobre vetraná, aby ste odstránili dym a zápach. Zabráňte priamemu vdychovaniu dymu a zápachu, ktorý sa vytvára.

5 Práca s rúrou

Všeobecné informácie o pečení, opekaní a grilovaní



VAROVANIE

Horúce povrchy spôsobujú popáleniny! Výrobok môže byť počas používania horúci. Nikdy sa nedotýkajte horúcich horákov, vnútorných častí rúry, ohrievačov atď. Držte mimo dosahu detí. Keď vkladáte alebo vyberáte nádoby do alebo z horúcej rúry, používajte vždy teplovzdorné rukavice určené na použitie v rúre.



NEBEZPEČENSTVO:

Dávajte pozor pri otváraní dveriek rúry, pretože môže unikať para. Unikajúca para vám môže obariť ruky, tvár a/alebo oči.

Tipy na pečenie

- Používajte vhodné kovové plechy s nelepivým náterom alebo hliníkové nádoby alebo teplovzdorné silikónové formy.
- Čo najlepšie využite priestor podstavca.
- Formu na pečenie položte do stredu podstavca.
- Pred zapnutím rúry alebo grilu vyberte správnu polohu podstavca. Keď je rúra horúca, nemeňte polohu podstavca.
- Dvierka na rúre nechajte zatvorené.

Tipy na opekánie

- Spracovanie celého kuraja, moriaka a veľkých kusov mäsa pomocou dresingov, ako napríklad citrónovej šťavy a čierneho korenia pred varením zvýši výkon varenia.
- Mäso s kosťami opekajte o približne 15 až 30 minút dlhšie, ako rovnakú porciu mäsa bez kostí.
- Každý centimeter hrúbky mäsa si vyžaduje dobu varenia približne 4 až 5 minút.
- Po dopečení nechajte mäso odpočívať v rúre asi na 10 minút. Šťava sa lepšie rozloží po celom pečenom mäse a pri krájaní nevyteká z mäsa.
- Ryby by ste mali položiť na stredný alebo dolný podstavec do teplovzdorného plechu.

Tipy na grilovanie

Keď grilujete mäso, ryby a hydinu, rýchlo zhnednú, sú chrumkavé a nevysušia sa. Pre grilovanie sú obzvlášť vhodné ploché kúsky, ihlice na mäso a omáčky, ako aj zelenina s vysokým obsahom vody, ako napríklad paradajky a cibule.

- Kúsky, ktoré idete grilovať, rozložte po drôtovej mriežke alebo po plechu na pečenie s drôtenou mriežkou takým spôsobom, aby pokrytý priestor nepresahoval veľkosť ohrievača.
- Drôtenú mriežku alebo plech na pečenie s mriežkou zasuňte do rúry na požadovanú úroveň. Ak grilujete na drôtovej mriežke, zasuňte plech na pečenie do dolného podstavca, aby zachytával masť. Do plechu na pečenie pridajte trochu vody kvôli ľahšiemu čisteniu.

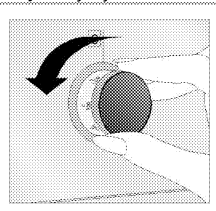
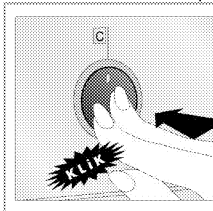


Potraviny, ktoré nie sú vhodné na grilovanie, predstavujú riziko požiaru. Grilujte iba jedlo, ktoré je vhodné na intenzívne teplo pri grilovaní. Jedlo neumiestňujte príliš ďaleko do zadnej časti grilu. Toto je najhorúcejšie miesto a masť sa môže vznietiť.

Práca s elektrickou rúrou

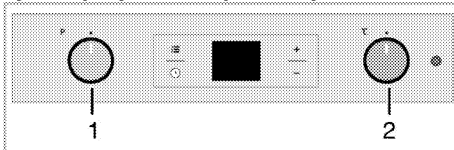
Vaša rúra obsahuje vyskakovacie gombíky, ktoré po stlačení vyčnievajú.

1. Po stlačení smerom dnu bude gombík vyčnievať a želané nastavenie potom vykonajte jeho otáčaním.



2. Po ukončení procesu varenia stlačte gombík smerom dovnútra.

Výber teploty a režimu prevádzky



- 1 Funkčný gombík
 - 2 Gombík termostatu
1. Funkčný gombík nastavte na želaný prevádzkový režim.
 2. Gombík teploty nastavte na želanú teplotu.
» Rúra sa zahreje na nastavenú teplotu a uchová si ju. Počas zahrievania teplotný indikátor zostáva svietiť.

Vypnutie elektrickej rúry

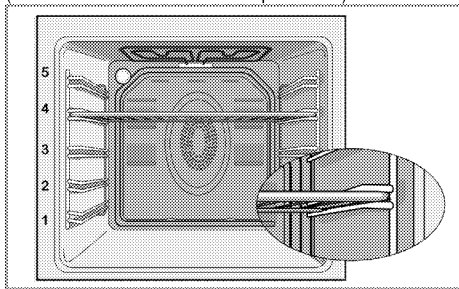
Funkčný gombík a gombík teploty otočte do vypnutej (hornej) polohy.

Polohy podstavca (pre modely s drôtenou mriežkou)

Je dôležité, aby ste drôtenú mriežku správne umiestnili na drôtený podstavec. Drôtená mriežka musí byť vložená medzi drôtené podstavce tak, ako je to znázornené na obrázku.

Nedovoľte, aby drôtená mriežka stála oproti zadnej stene rúry. Preto zasuňte drôtenú mriežku do prednej časti podstavca a podľa potreby ju vyrovajte pomocou dvierok, aby ste dosiahli dobrý výkon grilovania.

(Líši sa v závislosti od modelu produktu.)



Prevádzkové režimy

Poradie prevádzkových režimov znázornené na týchto obrázkoch sa môže líšiť od usporiadania na vašom výrobku.

Horné a spodné ohrevanie



Horné a spodné ohrevanie je v prevádzke. Jedlo sa ohrieva súčasne zhora aj zdola. Je to vhodné, napríklad, pre koláče, cestoviny alebo koláče a miskové jedlá vo formách na pečenie. Varte len s jedným plechom.

Spodné ohrevanie



V prevádzke je len spodné ohrevanie. Je to vhodné na pizzu a na následné stmavnutie jedál z dolnej časti.

Táto funkcia musí byť použitá aj pre ľahké čistenie paru.



Spodné/horné ohrevanie podporené ventilátorom



V prevádzke je horné ohrevanie, dolné ohrevanie plus ventilátor (v zadnej stene). Pomocou ventilátora sa horúci vzduch veľmi rýchlo a rovnomerne rozšíri po celej rúre. Varte len s jedným plechom.

Prevádzka s ventilátorom



Rúra sa neheje. V prevádzke je len ventilátor (v zadnej stene). Mrazené granulované jedlo sa roztápa pomaly pri izbovej teplote a varené jedlo sa ochladzuje.

Vyhrievanie ventilátorom



V prevádzke je ohrevanie s asistenciou ventilátora (v zadnej stene).

Pomocou ventilátora sa horúci vzduch veľmi rýchlo a rovnomerne rozšíri po celej rúre. Vo väčšine prípadov sa predhrievanie nevyžaduje. Vhodné na varenie vašich jedál na rôznych úrovniach podstavcov. Vhodné na varenie s viacerými plechmi.

Táto funkcia musí byť použitá aj pre ľahké čistenie paru.



Funkcia „3D“



V prevádzke je horné ohrevanie, dolné ohrevanie a ohrevanie s asistenciou ventilátora (v zadnej stene). Jedlo sa rovnomerne a rýchlo varí z každej strany. Varte len s jedným plechom.

Úplné grilovanie



V prevádzke je veľký gril v strope rúry. Je vhodné na grilovanie veľkých porcií mäsa.

- Veľké alebo stredné porcie na grilovanie dajte do správnej polohy na podstavec pod grilovací ohrievač.
- Nastavte teplotu na maximálnu úroveň.
- Po polovici času grilovania otočte jedlo.

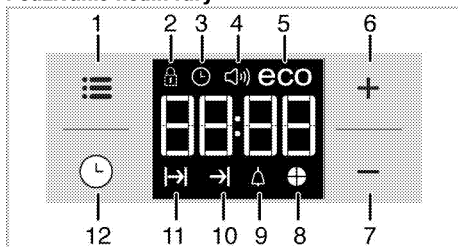
Grilovanie + ventilátor



Účinek grilovania nie je taký silný, ako pri úplnom grilovaní

- Malé alebo stredné porcie na grilovanie dajte do správnej polohy na policu pod grilovací ohrievač.
- Nastavte želanú teplotu.
- Po polovici času grilovania otočte jedlo.

Používanie hodín rúry



- 1 Tlačidlo nastavenia
- 2 Symbol uzamknutia tlačidiel
- 3 Symbol hodín
- 4 Symbol hlasitosti alarmu (Vo vašom produkte nemusí existovať.)
- 5 Symbol eko režime
- 6 Tlačidlo plus
- 7 Tlačidlo mínus
- 8 Symbol časového koláče
- 9 Symbol Alarm
- 10 Symbol skončenia doby varenia
- 11 Symbol doby varenia
- 12 Tlačidlo programu

	Maximálny čas, ktorý môžete nastaviť na ukončenie varenia, je 5 hodín a 59 minút. Program sa zruší v prípade výpadku prúdu. Rúru musíte preprogramovať.
	Počas vykonávania nastavení na sa displeji zobrazí súvisiace symboly. Musíte krátky čas počkať, kým sa nastavenia použijú.
	Ak nevykonáte žiadne nastavenie varenia, nebudete môcť nastaviť čas v rámci dňa.
	Zobrazí sa zostávajúci čas ak je čas varenia nastavený akonáhle varenie začne.

Varenie pomocou nastavenia času varenia:

Rúru môžete nastaviť tak, aby sa zastavila na konci špecifikovaného času, a to nastavením doby varenia na časovači.

1. Vyberte funkciu varenia.
2. Dotknite sa položky , kým sa na displeji nezobrazí symbol pre čas varenia.
3. Nastavte čas varenia pomocou kláves **+**/**-**.
» »Po nastavení času varenia sa na displeji zobrazí symbol a čas sa odpočítava.
4. Do rúry vložte riad a teplotu nastavte pomocou tlačidla nastavenia teploty. Spustí sa varenie.
» Čas varenia sa začne odpočítavať na displeji, ako náhle začne varenie a všetky časti časového symbolu sa rozsvietia. Nastavená doba varenia sa rozdelia do 4 rovnakých častí, a keď čas každej časti skončí, symbol také časti sa vypne. Tak ľahko zistíte zodpovedajúce čas varenia a všetko bude jednoduchšie.

Nastavenie konca času varenia na neskoršiu dobu:

Po nastavení času varenia na časovači môžete nastaviť koniec času varenia.

1. Vyberte funkciu varenia.
2. Dotknite sa položky , kým sa na displeji nezobrazí symbol pre čas varenia.
3. Čas varenia nastavte pomocou kláves **+**/**-**.
» »Akonáhle je čas varenia nastavený, na displeji sa rozsvieti symbol .
4. Dotknite sa položky , kým sa na displeji nezobrazí symbol pre koniec času varenia.
5. Stlačte klávesy **+**/**-** a nastavte koniec času varenia.
» Po nastavení času varenia sa na displeji zobrazí symbol a symbol . Akonáhle varenie začne, symbol zmizne.
6. Do rúry vložte riad a teplotu nastavte pomocou tlačidla nastavenia teploty. Spustí sa varenie.
» **Časovač rúry vypočíta čas spustenia odpočtom času varenia od konca času, ktorý ste nastavili.** Vybraný prevádzkový režim sa aktivuje, keď nastane čas začiatku varenia a rúra sa rozohreje na nastavenú teplotu. Udrží túto teplotu až do konca času varenia.
» Čas varenia sa začne odpočítavať na displeji, ako náhle začne varenie a všetky časti časového symbolu sa rozsvietia. Nastavená doba varenia sa rozdelia do 4 rovnakých častí, a keď čas každej časti skončí, symbol také časti sa vypne. Tak ľahko zistíte zodpovedajúce čas varenia a všetko bude jednoduchšie.
7. Po dokončení varenia sa na displeji zobrazí "End" a časovač vydá zvukové upozornenie.
8. Signál alarmu bude znieť počas 2 minút. Ak chcete zvukové upozornenie vypnúť, stlačte ľubovoľné tlačidlo. Zvukové upozornenie sa stíši a zobrazí sa aktuálny čas.

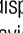


Ak na konci zvukového varovania stlačíte ľubovoľný kláves, rúra sa znovu spustí. Otočte tlačidlo pre nastavenie teploty a funkcie do pozície "0" (vypnuté) a vypnite rúru, aby ste predišli opätovnému spusteniu rúry po konci upozornenia.

Zapnutie zámky tlačidiel

Aktivovaním funkcie zámky tlačidiel môžete predísť používaniu rúry.



1. Dotknite sa položky , kým sa na displeji nezobrazí symbol .

- » Na displeji sa zobrazí hlásenie „OFF“.
- 2. Stlačením tlačidla **+** aktivujete zámku tlačidiel.
- » Po zapnutí zámky tlačidiel sa na displeji zobrazí hlásenie „On“ a symbol  zostane svietiť.



Tlačidlá rúry nie sú funkčné, keď je funkcia zámky tlačidiel zapnutá. Zámka tlačidiel sa v prípade výpadku prúdu nezruší.



Aby ste deaktivovali zámku tlačidiel

1. Stlačte  až kým sa na displeji nezobrazí symbol .

- » Na displeji sa zobrazí hlásenie „On“.
- 2. Vypnite zámku tlačidiel stlačením tlačidla **-**.
- » Po vypnutí zámky tlačidiel sa zobrazí hlásenie „OFF“ (VYP.).

Nastavenie budíka

Časovač produktu môžete používať na akékoľvek výstrahy alebo pripomienky, mimo programov varenia. Budík nemá žiaden vplyv na funkcie rúry. Používa sa iba ako forma varovania. Toto je napríklad užitočné vtedy, keď chcete jedlo v rúre otočiť v určenom časovom bode. Po uplynutí nastavenej doby zaznie zvukové upozornenie časovača.

1. Dotknite sa položky , kým sa na displeji nezobrazí symbol .



Maximálny čas alarmu môže byť 23 hodín a 59 minút.

2. Pomocou tlačidiel **+/-** nastavte trvanie alarmu.



Funkčné tlačidlá pre tón alarmu, dennú dobu, jas displeja a nastavenie teploty musí byť v pozícii 0 (OFF).



- » Po nastavení času alarmu zostane symbol alarmu  svietiť a na displeji sa zobrazí čas alarmu.
- 3. Na konci času alarmu začne blikať symbol  a zaznie zvukové upozornenie.

Vypnutie alarmu

1. Signál alarmu bude znieť počas 2 minút. Ak chcete zvukové upozornenie vypnúť, stlačte ľubovoľné tlačidlo.

» Zvukové upozornenie sa stíši a zobrazí sa aktuálny čas.

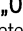
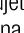
Zrušenie alarmu:

1. Dotknite sa položky , kým sa na displeji nezobrazí symbol , aby ste zrušili alarm.
2. Stlačte a podržte stlačené tlačidlo **-**, kým sa nezobrazí „00:00“.



Zobrazí sa čas budíka. Ak súčasne nastavíte čas alarmu a čas varenia, zobrazí sa kratší z časov.

Zmena tónu alarmu

1. Dotknite sa položky , kým sa na displeji nezobrazí symbol .
2. Požadovaný tón alarm nastavte klávesmi **+ / -**.
3. Tón, ktorý nastavíte, sa aktivuje behom krátkej chvíľky.

» Zvolený tón alarmu sa na displeji zobrazí ako „b-01“, „b-02“ alebo „b-03“.

Zmena denného času

Ak chcete zmeniť čas dňa, ktorý ste predtým nastavili:

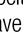
1. Dotknite sa položky , kým sa na displeji nezobrazí symbol .
2. Nastavte čas pomocou kláves **+ / -**.
3. Čas, ktorý nastavíte, sa za chvíľu aktivuje.

úsporný režim

Môžete šetriť energiu v úspornom režime, ak budete variť s nastavením času varenia.


Tento režim dokončí varenie pri vnútornej teplote rúry a vypnutých vykurovacích prvkoch pred koncom času varenia.

Nastavenie úsporného režimu

1. Stlačte symbol  až kým sa na displeji nezobrazí symbol **eco**.

- » Na displeji sa zobrazí hlásenie „OFF“.
- 2. Aktivujte úsporný režim stlačením klávesu **+**.
- » Jakkmile sa zámok aktivuje, na displeji sa zobrazí „On“ a symbol úsporného režimu zostane rozsvietený.


Deaktivácia úsporného režimu.

1. Stlačte symbol  až kým sa na displeji nezobrazí symbol **eco** režimu.

- » Na displeji sa zobrazí hlásenie „On“.
- 2. Úsporný režim deaktivujte stlačením klávesu **-**.
- » "Off" sa zobrazí akonáhle sa zámok deaktivuje.

Nastavenie jasu obrazovky

(Táto funkcia je voliteľná. Vo vašom produkte nemusí existovať.)

1. Stlačte  až kým sa na displeji nezobrazí **d-01** alebo **d-02** alebo **d-03** a nastavte jas.
2. Požadovaný jas nastavte pomocou kláves **+ / -**.
- » Čas, ktorý nastavíte sa aktivuje za chvíľu.

Harmonogramy varenia



Časy uvedené v tejto tabuľke sú myslené ako usmernenie. Časy sa môžu odlišovať v závislosti od teploty jedla, hrúbky, typu a vašich vlastných preferencií varenia.

Pečenie a opekanie



1. podstavec rúry je **spodný** podstavec.

Jedlo	Číslo úrovne varenia		Pozícia stojana	Teplota (°C)	Čas varenia (približne v min.)
Koláče na plechu*	Jedna úroveň		3	175	25 ... 30
Koláče vo forme*	Jedna úroveň		2	180	40 ... 50
Koláče v papieri na pečenie*	Jedna úroveň		3	175	25 ... 30
	2 úrovne		1 - 5	175	30 ... 40
	3 úrovne		1 - 3 - 5	180	45 ... 55
Pískotový koláč*	Jedna úroveň		3	200	5 ... 10
	2 úrovne		1 - 5	175	20 ... 30
Koláčiky*	Jedna úroveň		3	175	25 ... 30
	2 úrovne		1 - 5	170 ... 190	30 ... 40
	3 úrovne		1 - 3 - 5	175	35 ... 45
Kysnuté cesto*	Jedna úroveň		2	200	30 ... 40
	2 úrovne		1 - 5	200	45 ... 55
	3 úrovne		1 - 3 - 5	200	55 ... 65
Bohaté pečivo*	Jedna úroveň		2	200	25 ... 35
	2 úrovne		1 - 5	200	35 ... 45
	3 úrovne		1 - 3 - 5	190	45 ... 55
Droždie*	Jedna úroveň		2	200	35 ... 45
	2 úrovne		1 - 3	190	35 ... 45
Lazane*	Jedna úroveň		2 - 3	200	30 ... 40
Pizza*	Jedna úroveň		2	200 ... 220	15 ... 20
Hovädzi stejk (celý)/opekané mäso	Jedna úroveň		3	25 min. 250/max., potom 180 ... 190	100 ... 120
Jahnacie stehno (v kastrole)	Jedna úroveň		3	25 min. 250/max., potom 190	70 ... 90
	Jedna úroveň		3	25 min. 250/max., potom 190	60 ... 80
Pečené kura	Jedna úroveň		2	15 min. 250/max., potom 180... 190	55 ... 65
	Jedna úroveň		2	15 min. 250/max., potom 180... 190	55 ... 65
Moriak (5,5 kg)	Jedna úroveň		1	25 min. 250/max., potom 180... 190	150 ... 210
	Jedna úroveň		1	25 min. 250/max., potom 180... 190	150 ... 210
Ryby	Jedna úroveň		3	200	20 ... 30
	Jedna úroveň		3	200	20 ... 30

Počas súčasného pečenia s 2 plechmi umiestnite hlbší plech na horný podstavec a ten druhý plech na spodný podstavec.

* Odporúčame vám, aby ste všetky potraviny predhriali.

(**) Pri procesoch varenia, ktoré vyžadujú predhrievanie, predhrievajte rúru na začiatku procesu, kým nedosiahne nastavenú teplotu.

Tipy na pečenie koláčov

- Ak je koláč príliš suchý, zvýšte teplotu o 10 °C a skráťte dobu varenia.
- Ak je koláč vlhký, použite menej tekutiny alebo znížte teplotu o 10 °C.
- Ak je koláč na hornej strane príliš tmavý, položte ho na nižší podstavec, znížte teplotu a predĺžte dobu varenia.

- Ak je dobre upečený zvnútra, ale je lepkavý na vonkajšej strane, použite menej kvapaliny, znížte teplotu a predĺžte dobu pečenia.

Tipy na pečenie pečiva

- Ak je pečivo príliš suché, zvýšte teplotu o 10 °C a skráťte dobu varenia. Navlhčite vrstvy cesta omáčkou zloženou z mlieka, oleja, vajíčok a jogurtu.

- Ak pečenie pečiva trvá príliš dlho, dávajte pozor, aby hrúbka pečiva, ktoré ste si pripravili, nepresahuje hĺbku plechu.
- Ak horná strana pečiva zhnedne, ale dolná nie je upečená, uistite sa, že množstvo šfavy, ktoré ste použili na pečivo nie je na dolnej strane pečiva príliš veľké. Pokúste sa rozmiestniť omáčku rovnomerne medzi vrstvami cesta a na hornej strane pečiva, aby pečivo rovnomerne zhnedlo.



Pečivo pečte v súlade s režimom a teplotou uvedenou v tabuľke varenia. Ak spodná strana nie je stále dostatočne hnedá, umiestnite ho nabudúce na podstavec o jednu úroveň nižšie.

Tipy pre varenie zeleniny

- Ak sa jedlu zo zeleniny miňa šfava a začína byť suché, uvarte ho v panvici s vekom namiesto plechu. Uzatvorené nádoby uchovávajú šfavu v jedle.
- Ak sa zeleninové jedlo neuvarí, prevarte si zeleninu vopred alebo ho pripravte ako jedlo z konzervy a vložte ho do rúry.

Prevádzka grilu



VAROVANIE

Počas grilovania zatvorte dverka rúry. Horúce povrchy môžu spôsobiť popáleniny!

Zapnutie grilu

1. Funkčný gombík otočte na želaný symbol grilovania.
 2. Potom vyberte želanú teplotu grilovania.
 3. V prípade potreby vykonávajte predhrievanie približne 5 minút.
- » Temperature light turns on.

Vypnutie grilu

1. Funkčný gombík otočte do vypnutej (hornej) polohy.



Potraviny, ktoré nie sú vhodné na grilovanie, predstavujú riziko požiaru. Grilujte iba jedlo, ktoré je vhodné na intenzívne teplo pri grilovaní. Jedlo neumiestňujte príliš ďaleko do zadnej časti grilu. Toto je najhorúcejšie miesto a masné jedlo sa môže vznietiť.

Varné harmonogramy pre grilovanie

Grilovanie na elektrickom grile

Jedlo	Pozícia stojana	Odporúčaná teplota (°C)**	Čas grilovania (približne)
Ryby	4...5	250/max	20...25 min. #
Kuracie plátky	4...5	250/max	25...35 min.
Jahnacie kottlety	4...5	250/max	20...25 min.
Pečené mäso	4...5	250/max	25...30 min. #
Tefacie kottlety	4...5	250/max	25...30 min. #
Hriankový chlieb *	4	250/max	1...3 min.

v závislosti od hrúbky
 *Predhrievajte po dobu 5 minút
 **Ak nie je možné nastaviť teplotu grilu na spotrebiči, gril bude fungovať pri maximálnej teplote.

6 Údržba a starostlivosť

Všeobecné informácie

V prípade pravidelného čistenia sa životnosť produktu predlžá a zníži sa množstvo častých problémov.



NEBEZPEČENSTVO:

Pred začatím údržby a čistenia odpojte výrobok od zdroja napájania.

Hrozí riziko zásahu elektrickým prúdom!



NEBEZPEČENSTVO:

Pred čistením výrobku ho nechajte vychladnúť. Horúce povrchy môžu spôsobiť popáleniny!

- Po každom použití produkt dôkladne vyčistíte. Týmto spôsobom môžete oveľa ľahšie odstrániť možné zvyšky jedál, pretože zabránite ich pripáleniu pri ďalšom použití spotrebiča.
- Na čistenie produktu nie sú potrebné žiadne zvláštne čistiace prípravky. Na čistenie produktu použijete teplú vodu s čistiacim prostriedkom, jemnú látku alebo špongiu a utriete ju suchou látkou.
- Po čistení sa vždy ubezpečte, že ste dôkladne zotrelí všetku nadmernú kvapalinu a okamžite dosucha utriete všetky rozliatia.
- Na čistenie nehrdzavejúcich alebo neoxidujúcich povrchov a rúčky nepoužívajte čistiace prostriedky, ktoré obsahujú kyseliny alebo chloridy. Tieto časti očistite tak, že ich utriete jemnou látkou s tekutým saponátom (nie drsným), pričom musíte dávať pozor, aby ste ich utierali jedným smerom.



Niektoré saponáty alebo čistiace látky môžu poškodiť povrch.

Počas čistenia nepoužívajte agresívne saponáty, čistiace prášky/krémy, ani žiadne ostré predmety.

Na čistenie skla na dverkách rúry nepoužívajte hrubé drsné čistiace prostriedky alebo ostré kovové škrabky, pretože môžu poškriabať povrch, čo môže mať za následok rozbitie skla.



Na čistenie zariadenia nepoužívajte parné čističe, pretože by to mohlo spôsobiť zásah elektrickým prúdom.

Čistenie ovládacieho panela

Ovládací panel a gombíky vyčistite vlhkou tkaninou a utriete ich dosucha.



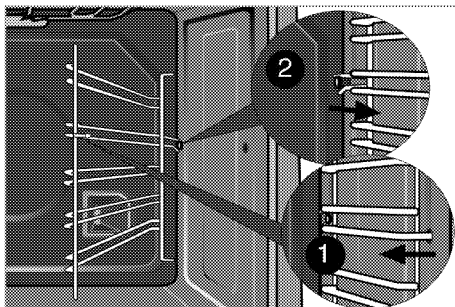
Ak je váš produkt vybavený tlačidlami/gombíkmi, pri čistení ovládacieho panela neodstraňujte ovládacie gombíky. Ovládací panel by sa mohol poškodiť!

Čistenie rúry

Ak chcete vyčistiť bočnú stenu

(Táto funkcia je voľiteľná. Vo vašom produkte nemusí existovať.)

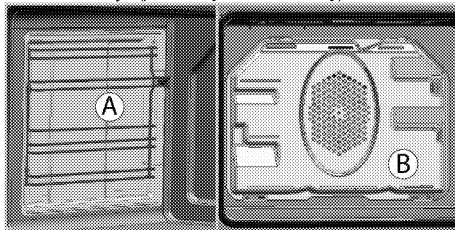
1. Odstráňte prednú časť bočného podstavca jeho potiahnutím smerom od bočnej steny.
2. Úplne vyberte bočný podstavec jeho potiahnutím smerom k sebe.



Katalytické steny

(Táto funkcia je voľiteľná. Vo vašom produkte nemusí existovať.)

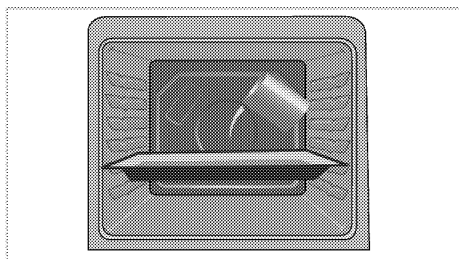
Vnútrné bočné steny (A) a/alebo zadná stena (B) vášho produktu môžu byť pokryté katalytickým smaltom. Katalytické steny majú svetlomatnú farbu a pórovitý povrch. Katalytické steny rúry by sa nemali čistiť. Pórovité povrchy katalytických stien sa automaticky vyčistia absorbovaním a konvertovaním rozliateho oleja (para a kyslíčnik uhlíčitý).



Jednoduché parné čistenie

Zaručuje jednoduché čistenie tým, že nečistoty (ak sa nenechajú príliš dlho zaschnúť) zmäkčí kvapôčkami pary vo vnútri rúry, vodné kvapky sa kondenzujú na vnútornom povrchu rúry.

1. Z vnútra rúry vyberte všetko príslušenstvo.
2. Nalejte do plechu do rúry 500 ml vody a položte plech na druhý regál rúry.



3. Nastavte rúru na jednoduché parné čistenie režimu a spustíte na 100°C po dobu 25 minút.
4. Otvorte dverka a utrite vnútorné povrchy rúry vlhkou špongiou alebo tkaninou.
5. Na čistenie produktu použite teplú vodu s čistiacim prostriedkom, jemnú látku alebo špongiu a utrite ju suchou látkou.

Čistenie dveriek rúry

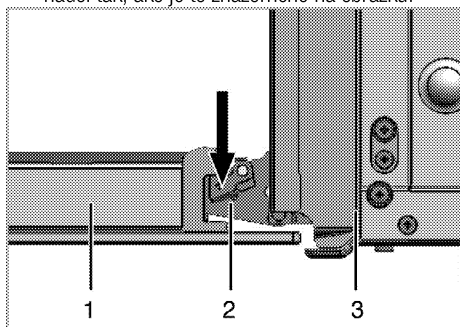
Ak chcete očistiť dverka rúry, produkt očistite pomocou teplej vody s čistiacim prostriedkom, jemnej látky alebo špongie a utrite ho suchou látkou.



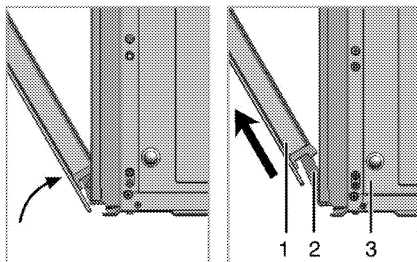
Na čistenie dveriek rúry nepoužívajte žiadne drsné, abrazívne čistiace prostriedky, ani kovové škrabky. Môžu poškriabať povrch a poškodiť sklo.

Odstránenie dveriek rúry

1. Otvorte predné dverka (1).
2. Otvorte svorky na kryte pántov (2) na pravej a ľavej strane predných dveriek tak, že ich stlačíte nadol tak, ako je to znázornené na obrázku.



- 1 Predné dverka
- 2 Pánt
- 3 Rúra



3. Pootvorte do polovice predné dverka.
4. Predné dverka vyberte tak, že ich vytiahnete nahor, aby sa uvoľnili z praveho a ľavého pántu.

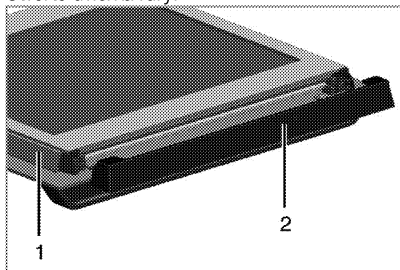


Kroky vykonané počas procesu odstránenia dveriek vykonajte pri montáži dveriek v opačnom poradí. Nezabudnite zatvoriť svorky na kryte pántov, keď znovu nasadzujete dverka.

Odstránenie vnútorného skla dveriek (Táto funkcia je voľiteľná. Vo vašom produkte nemusí existovať.)

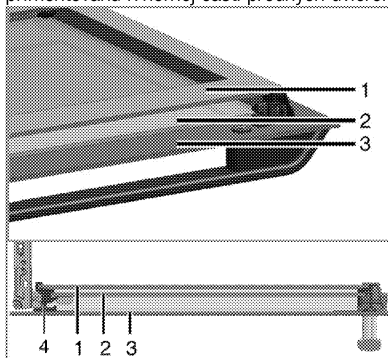
Panel vnútorného skla dveriek rúry sa dá vybrať kvôli čisteniu.

Otvorte dverka rúry.



- 1 Rám
- 2 Plastový diel

Ťahajte smerom k vám a vyberte plastovú časť prímontovanú k hornej časti predných dveriek.

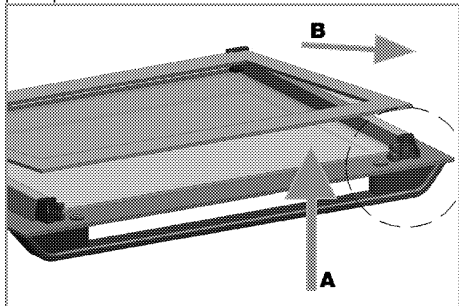


- 1 Najvnútornejší sklenený panel

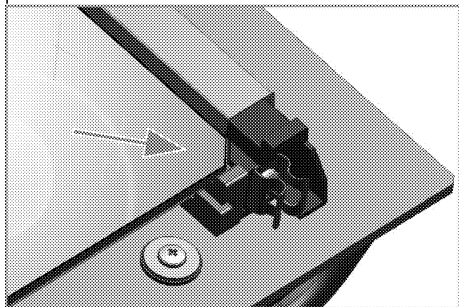
- 2 Vnútorý sklenený panel
- 3 Vonkajší sklenený panel
- 4 Plastový otvor na sklenený panel - dolný

Podľa zobrazenia na obrázku mierne zdvihnite najvnútornejší sklenený panel (1) v smere **A** a vytiahnite ho von v smere **B**.

Vnútorý sklenený panel (2) vyberte zopakovaním tohto postupu.



Prvým krokom pri preskupení dvierok je opätovné namontovanie vnútorného skleneného panelu (2). Podľa zobrazenia na obrázku umiestnite skosený okraj skleneného panelu tak, aby bol na skosenom okraji plastového otvoru.



Vnútorý sklenený panel (2) musíte namontovať do plastového otvoru v blízkosti najvnútornejšieho skleneného panelu (1).

Pri montáži najvnútornejšieho skleneného panelu (1) sa ubezpečte, že potlačená strana panelu smeruje čelom k vnútornému sklenenému panelu.

Je dôležité, aby ste dolný okraj vnútorného skleneného panelu umiestnili do dolného plastového otvoru.

Plastový časť tlačte smerom k rámu, pokým nebudete počuť „cvaknutie“.

Výmena žiarovky v rúre



NEBEZPEČENSTVO:

Pred výmenou žiarovky v rúre sa uistite, že výrobok je odpojený zo siete a že je vychladnutý, aby ste predišli riziku zásahu elektrickým prúdom. Horúce povrchy môžu spôsobiť popáleniny!



Osvetlenie rúry je špeciálna elektrická žiarovka, ktorá odoláva teplotám až do 300 °C. Podrobnosti nájdete v časti *Technické parametre, strana 11*. Svetlá do rúry môžete získať u vášho autorizovaného servisného zástupcu.



Poloha svetla sa môže líšiť od toho, ktoré je zobrazené na obrázku.



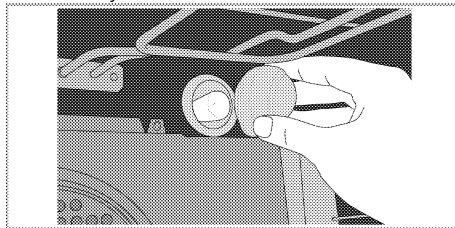
Žiarovka použitá v tomto spotrebiči nie je vhodná na osvetlenie miestnosti. Zamýšľaným účelom tejto žiarovky je pomôcť užívateľovi vidieť na potraviny.



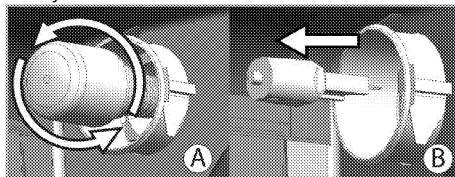
Žiarovky použité v tomto spotrebiči musí vydržať extrémne fyzické podmienky, napr. teploty nad 50 °C.

Ak je vaša rúra vybavená okrúhlym svetlom:

1. Výrobok odpojte zo siete.
2. Sklený kryt vyberte otáčaním proti smeru hodinových ručičiek.



3. Ak je vaše svetlo v rúre typu (A), ktorý je vyobrazený nižšie, vyberte svetlo otočením (pozrite si obrázok) a vymeňte ho. Ak je svetlo typu (B), zatiahnite a vyberte svetlo (pozrite si obrázok) a vymeňte ho.



4. Namontujte sklený kryt.

7 Riešenie problémov

Rúra emituje počas používania paru.

- Je to normálne, počas prevádzky uniká para. >>> *Nejde o poruchu.*

Počas ohrievania a chladenia vydáva produkt kovové zvuky.

- Keď sa kovové diely zahrejú, môžu sa roztrhnúť a vydávať zvuky. >>> *Nejde o poruchu.*

Produkt nepracuje.

- Sieťová poistka je chybná alebo sa prepálila. >>> *Skontrolujte poistky v poistkovej skrinke. Ak je to nutné, vymeňte ich alebo ich prepnite.*
- Výrobok nie je zapojený do (uzemnenej) zásuvky. >>> *Skontrolujte pripojenie zástrčky.*

Osvetlenie rúry nefunguje.

- Svetlo v rúre je chybné. >>> *Vymeňte svetlo v rúre.*
- Došlo k výpadku prúdu. >>> *Skontrolujte, či je prítomný prúd. Skontrolujte poistky v poistkovej skrinke. Ak je to nutné, poistky vymeňte alebo ich prepnite.*

Rúra sa nezohrieva.

- Možno nie je nastavená konkrétna funkcia varenia a/alebo teplota. >>> *Nastavte rúru na konkrétnu funkciu varenia a/alebo teplotu.*
- Na modeloch vybavených časovačom nie je časovač nastavený. >>> *Nastavte čas.* (Pri produktoch s mikrovlnnou rúrou ovláda časovač len mikrovlnnú rúru.)
- Došlo k výpadku prúdu. >>> *Skontrolujte, či je prítomný prúd. Skontrolujte poistky v poistkovej skrinke. Ak je to nutné, poistky vymeňte alebo ich prepnite.*

(Na modeloch s časovačom) Displej hodín bliká alebo svieti symbol hodín.

- Predtým došlo k výpadku prúdu. >>> *Nastavte čas/Výrobok vypnite a potom ho znovu zapnite.*



Ak problém nedokážete odstrániť, hoci ste postupovali podľa pokynov uvedených v tejto časti, obráťte sa na autorizovaného servisného technika alebo predajcu, u ktorého ste si zakúpili výrobok. Nikdy sa nepokúšajte sami opraviť pokazený výrobok.

