

# Oven

User Manual

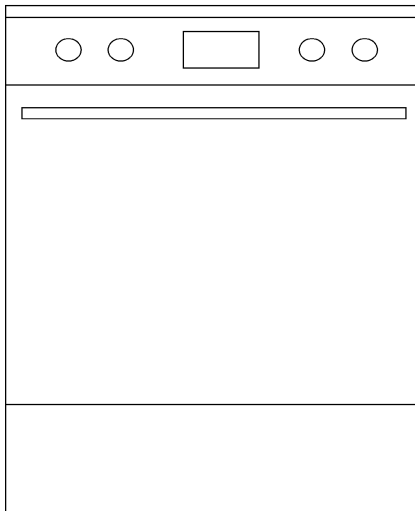
# Trouba

Návod k použití

# Rúra

Používateľská  
príručka

CSM 62325 DW



## Please read this user manual first!

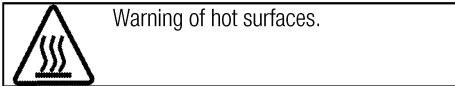
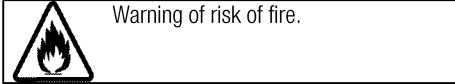
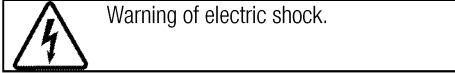
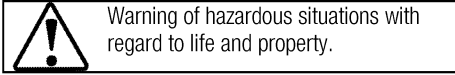
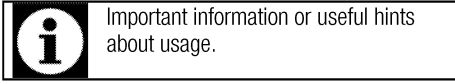
Dear Customer,

Thank you for purchasing this Beko product. We hope that you get the best results from your product which has been manufactured with high quality and state-of-the-art technology. Therefore, please read this entire user manual and all other accompanying documents carefully before using the product and keep it as a reference for future use. If you handover the product to someone else, give the user manual as well. Follow all warnings and information in the user manual.

Remember that this user manual is also applicable for several other models. Differences between models will be identified in the manual.

### Explanation of symbols

Throughout this user manual the following symbols are used:



### **Arçelik A.Ş.**

Karaağaç caddesi No:2-6  
34445 Sülüce/İstanbul/TURKEY

Made in TURKEY



---

This product was manufactured using the latest technology in environmentally friendly conditions.

**1 Important instructions and warnings for safety and environment 4**

General safety ..... 4  
 Safety when working with gas ..... 4  
 Electrical safety ..... 5  
 Product safety ..... 6  
 Intended use ..... 8  
 Safety for children ..... 8  
 Disposing of the old product ..... 9  
 Package information ..... 9

**2 General information 10**

Overview ..... 10  
 Package contents ..... 11  
 Technical specifications ..... 12  
 Injector table ..... 12

**3 Installation 13**

Before installation ..... 13  
 Installation and connection ..... 14  
 Gas conversion ..... 15  
 Future Transportation ..... 16

**4 Preparation 17**

Tips for saving energy ..... 17  
 Initial use ..... 17  
 Time setting ..... 17  
 First cleaning of the appliance ..... 17  
 Initial heating ..... 18

**5 How to use the hob 19**

General information about cooking ..... 19  
 Using the hobs ..... 19

**6 How to operate the oven 20**

General information on baking, roasting and grilling ..... 20  
 How to operate the electric oven ..... 20  
 Operating modes ..... 21  
 Using the oven clock ..... 22  
 Using the keylock ..... 22  
 Using the clock as an alarm ..... 23  
 Cooking times table ..... 24  
 How to operate the grill ..... 25  
 Cooking times table for grilling ..... 25

**7 Maintenance and care 26**

General information ..... 26  
 Cleaning the hob ..... 26  
 Cleaning the control panel ..... 26  
 Cleaning the oven ..... 26  
 Removing the oven door ..... 26  
 Replacing the oven lamp ..... 27

**8 Troubleshooting 28**

## **1 Important instructions and warnings for safety and environment**

This section contains safety instructions that will help protect from risk of personal injury or property damage. Failure to follow these instructions shall void any warranty.

### **General safety**

- This appliance can be used by children aged from 8 years and above and persons with reduced physical, sensory or mental capabilities or lack of experience and knowledge if they have been given supervision or instruction concerning use of the appliance in a safe way and understand the hazards involved.

Children shall not play with the appliance. Cleaning and user maintenance shall not be made by children without supervision.

- Never place the product on a carpet-covered floor. Otherwise, lack of airflow beneath the product will cause electrical parts to overheat. This will cause problems with your product.
- Installation and repair procedures must always be performed by Authorized Service Agents. The manufacturer shall not be held responsible for damages arising from procedures carried out by unauthorized persons which may

also void the warranty. Before installation, read the instructions carefully.

- Do not operate the product if it is defective or has any visible damage.
- Ensure that the product function knobs are switched off after every use.

### **Safety when working with gas**

- Any works on gas equipment and systems may only be carried out by authorised qualified persons who are Gas Safe registered.
- Prior to the installation, ensure that the local distribution conditions (nature of the gas and gas pressure) and the adjustment of the appliance are compatible.
- This appliance is not connected to a combustion products or evacuation device. It shall be installed and connected in accordance with current installation regulations. Particular attention shall be given to the relevant requirements regarding ventilation; See *Before installation, page 13*
- The use of gas cooking appliance results in the production of heat and moisture in the room in which it is installed. Ensure that the



kitchen is well ventilated: keep natural ventilation holes open or install a mechanical ventilation device (mechanical extractor hood). Prolonged intensive use of the appliance may call for additional ventilation, for example increasing the level of the mechanical ventilation where present.

- Gas appliances and systems must be regularly checked for proper functioning. Regulator, hose and its clamp must be checked regularly and replaced within the periods recommended by its manufacturer or when necessary.
- Clean the gas burners regularly. The flames should be blue and burn evenly.
- Good combustion is required in gas appliances. In case of incomplete combustion, carbon monoxide (CO) might develop. Carbon monoxide is a colourless, odourless and very toxic gas, which has a lethal effect even in very small doses.
- Request information about gas emergency telephone numbers and safety measures in case of gas smell from you local gas provider.

### **What to do when you smell gas**

- Do not use open flame or do not smoke. Do not operate any

electrical buttons (e.g. lamp button, door bell and etc.) Do not use fixed or mobile phones. Risk of explosion and toxication!

- Open doors and windows.
- Turn off all valves on gas appliances and gas meter at the main control valve, unless it's in a confined space or cellar.
- Check all tubes and connections for tightness. If you still smell gas leave the property.
- Warn the neighbours.
- Call the fire-brigade. Use a telephone outside the house.
- Do not re-enter the property until you are told it is safe to do so.

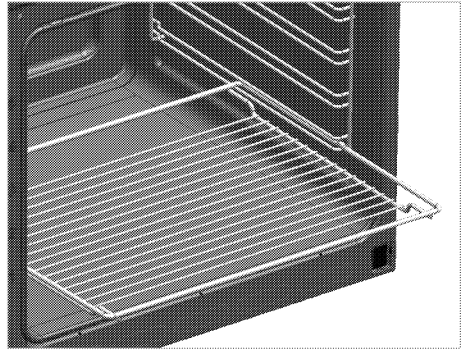
### **Electrical safety**

- If the product has a failure, it should not be operated unless it is repaired by an Authorized Service Agent. There is the risk of electric shock!
- Only connect the product to a grounded outlet/line with the voltage and protection as specified in the "Technical specifications". Have the grounding installation made by a qualified electrician while using the product with or without a transformer. Our company shall not be liable for any problems arising due to the product not being earthed in accordance with the local regulations.

- Never wash the product by spreading or pouring water onto it! There is the risk of electric shock!
  - Never touch the plug with wet hands! Never unplug by pulling on the cable, always pull out by holding the plug.
  - The product must be disconnected during installation, maintenance, cleaning and repairing procedures.
  - If the power connection cable for the product is damaged, it must be replaced by the manufacturer, its service agent or similarly qualified persons in order to avoid a hazard.
  - The appliance must be installed so that it can be completely disconnected from the mains supply. The separation must be provided by a switch built into the fixed electrical installation, according to construction regulations.
  - Rear surface of the oven gets hot when it is in use. Make sure that the gas/electrical connection does not contact the rear surface; otherwise, connections can get damaged.
  - Do not trap the mains cable between the oven door and frame and do not route it over hot surfaces. Otherwise, cable insulation may melt and cause fire as a result of short circuit.
  - Any work on electrical equipment and systems should only be carried out by authorized and qualified persons.
  - In case of any damage, switch off the product and disconnect it from the mains. To do this, turn off the fuse at home.
  - Make sure that fuse rating is compatible with the product.
- Product safety**
- The appliance and its accessible parts become hot during use. Care should be taken to avoid touching heating elements. Children less than 8 years of age shall be kept away unless continuously supervised.
  - Never use the product when your judgment or coordination is impaired by the use of alcohol and/or drugs.
  - Be careful when using alcoholic drinks in your dishes. Alcohol evaporates at high temperatures and may cause fire since it can ignite when it comes into contact with hot surfaces.
  - Do not place any flammable materials close to the product as the sides may become hot during use.
  - During use the appliance becomes hot. Care should be

taken to avoid touching heating elements inside the oven.

- Keep all ventilation slots clear of obstructions.
- Do not heat closed tins and glass jars in the oven. The pressure that would build-up in the tin/jar may cause it to burst.
- Do not place baking trays, dishes or aluminium foil directly onto the bottom of the oven. The heat accumulation might damage the bottom of the oven.
- Do not use harsh abrasive cleaners or sharp metal scrapers to clean the oven door glass since they can scratch the surface, which may result in shattering of the glass.
- Do not use steam cleaners to clean the appliance as this may cause an electric shock.
- Placing the wire shelf and tray onto the wire racks properly  
It is important to place the wire shelf and/or tray onto the rack properly. Slide the wire shelf or tray between 2 rails and make sure that it is balanced before placing food on it (Please see the following figure).



- Do not use the product if the front door glass removed or cracked.
- Do not use the oven handle to hang towels for drying. Do not hang up towel, gloves, or similar textile products when the grill function is at open door.
- Always use heat resistant oven gloves when putting in or removing dishes into/from the hot oven.
- Place the baking paper into the cooking pot or on to the oven accessory (tray, wire grill etc) together with the food and then insert all into the preheated oven. Remove the excess parts of the baking paper overflowing from the accessory or the pot in order to prevent the risk of touching the oven's heating elements. Never use the baking paper in an operating temperature higher than the indicated value for the baking paper. Do not place the baking paper directly on the base of the oven.
- Ensure that the appliance is switched off before replacing the

lamp to avoid the possibility of electric shock.

- Do not close the top cover before the hotplates or burners cool down. Wipe the top cover dry before opening it in order to avoid water leakage to the rear and inner sections of the oven.
- Unattended cooking on a hob with fat or oil can be dangerous and may result in fire. NEVER try to extinguish a fire with water, but switch off the appliance and then cover flame e.g. with a lid or a fire blanket.
- Danger of fire: Do not store items on the cooking surfaces.

Prevention against possible fire risk!

- Ensure all electrical connections are secure and tight to prevent risk of arcing.
- Do not use damaged cables or extension cables.
- Ensure liquid or moisture is not accessible to the electrical connection point.
- To prevent gas leakage ensure that the gas connection is sound.

### **Intended use**

- This product is designed for domestic use. Commercial use will void the guarantee.
- This appliance is for cooking purposes only. It must not be used for other purposes, for example room heating.

- This product should not be used for warming the plates under the grill, drying towels, dish cloths etc. by hanging them on the oven door handles. This product should also not be used for room heating purposes.
- The manufacturer shall not be liable for any damage caused by improper use or handling errors.
- The oven can be used for defrosting, baking, roasting and grilling food.

### **Safety for children**

- Accessible parts may become hot during use. Young children should be kept away.
- The packaging materials will be dangerous for children. Keep the packaging materials away from children. Please dispose of all parts of the packaging according to environmental standards.
- Electrical and/or gas products are dangerous to children. Keep children away from the product when it is operating and do not allow them to play with the product.
- Do not place any items above the appliance that children may reach for.
- When the door is open, do not load any heavy object on it and do not allow children to sit on it. It may overturn or door hinges may get damaged.

## **Disposing of the old product**

### **Compliance with the WEEE Directive and Disposing of the Waste Product:**



This product complies with EU WEEE Directive (2012/19/EU). This product bears a classification symbol for waste electrical and electronic equipment (WEEE).

This product has been manufactured with high quality parts and materials which can be reused and are suitable for recycling. Do not dispose of the waste product with normal domestic and other wastes at the end of its service life. Take it to the collection center for the recycling of electrical and electronic equipment. Please consult your local authorities to learn about these collection centers.

### **Compliance with RoHS Directive:**

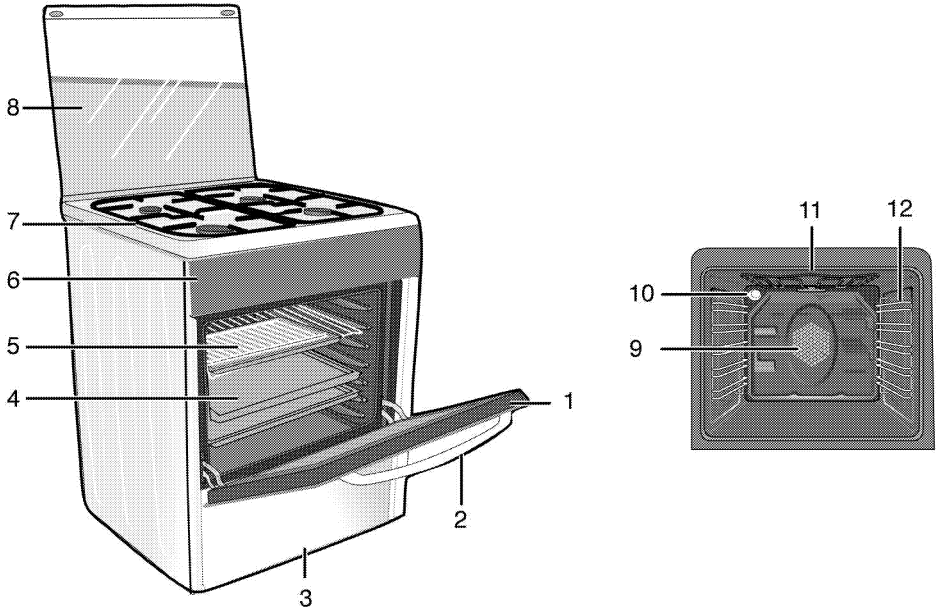
The product you have purchased complies with EU RoHS Directive (2011/65/EU). It does not contain harmful and prohibited materials specified in the Directive.

### **Package information**

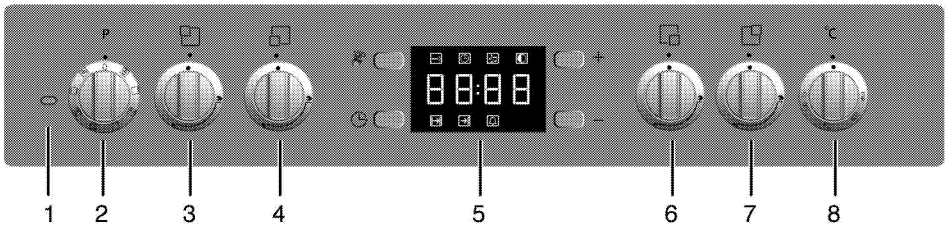
- Packaging materials of the product are manufactured from recyclable materials in accordance with our National Environment Regulations. Do not dispose of the packaging materials together with the domestic or other wastes. Take them to the packaging material collection points designated by the local authorities.

## 2 General information

### Overview



- |   |               |    |                                |
|---|---------------|----|--------------------------------|
| 1 | Front door    | 7  | Burner plate                   |
| 2 | Handle        | 8  | Top lid                        |
| 3 | Bottom drawer | 9  | Fan motor (behind steel plate) |
| 4 | Tray          | 10 | Lamp                           |
| 5 | Wire shelf    | 11 | Grill heating element          |
| 6 | Control panel | 12 | Shelf positions                |



- |   |                              |
|---|------------------------------|
| 1 | Thermostat lamp              |
| 2 | Function knob                |
| 3 | Normal burner Rear left      |
| 4 | Rapid burner Front left      |
| 5 | Digital timer                |
| 6 | Auxiliary burner Front right |
| 7 | Normal burner Rear right     |
| 8 | Thermostat knob              |

## Package contents

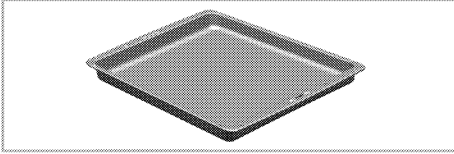


Accessories supplied can vary depending on the product model. Not every accessory described in the user manual may exist on your product.

1. **User manual**

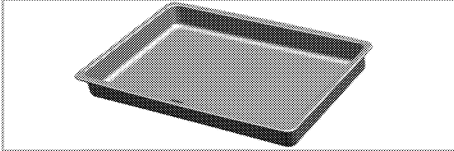
2. **Oven tray**

Used for pastries, frozen foods and big roasts.



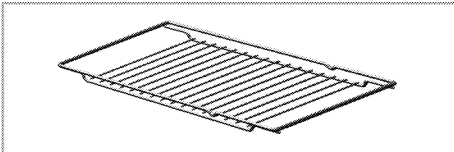
3. **Deep tray**

Used for pastries, large roasts, juicy dishes, and for collecting the fat while grilling.



4. **Wire Shelf**

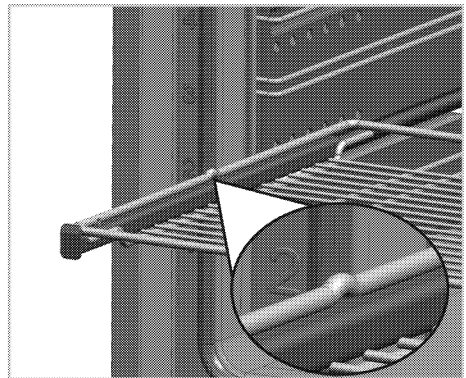
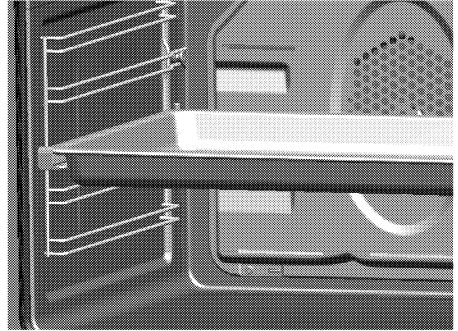
Used for roasting and for placing the food to be baked, roasted or cooked in casserole dishes to the desired rack.



5. **Placing the wire shelf and tray onto the telescopic racks properly**

Telescopic racks allow you to install and remove the trays and wire shelf easily.

When using the tray and wire shelf with telescopic racks, make sure that the pins at the rear section of the telescopic rack stands against the edges of the wire shelf and tray.



## Technical specifications

GENERAL	
External dimensions (height / width / depth)	850 mm/600 mm/600 mm
Voltage / frequency	220-240 V ~ 50 Hz
Total power consumption	2.4 kW
Fuse	min. 16 A
Cable type / section	H05VV-FG 3 x 1,5 mm <sup>2</sup>
Category of gas product	Cat II 2H3+
Gas type / pressure	NG G 20/20 mbar
Total gas consumption	7.9 kW
Converting the gas type / pressure <sup>s</sup>	LPG G 30/28-30 mbar
– optional	Propane 31/37 mbar
HOB	
Burners	
Rear left	<b>Normal burner</b>
Power	2 kW
Front left	<b>Rapid burner</b>
Power	2.9 kW
Front right	<b>Auxiliary burner</b>
Power	1kW
Rear right	<b>Normal burner</b>
Power	2 kW
OVEN/GRILL	
Main oven	<b>Multifunction oven</b>
Inner lamp	15–25 W
Grill power consumption	2.2 kW

<sup>#</sup> Basics: Information on the energy label of electrical ovens is given in accordance with the EN 60350-1 / IEC 60350-1 standard. Those values are determined under standard load with bottom-top heater or fan assisted heating (if any) functions.

Energy efficiency class is determined in accordance with the following prioritization depending on whether the relevant functions exist on the product or not. 1-Cooking with eco-fan, 2- Turbo slow cooking, 3- Turbo cooking, 4- Fan assisted bottom/top heating, 5-Top and bottom heating.



Technical specifications may be changed without prior notice to improve the quality of the product.



Figures in this manual are schematic and may not exactly match your product.



Values stated on the product labels or in the documentation accompanying it are obtained in laboratory conditions in accordance with relevant standards. Depending on operational and environmental conditions of the product, these values may vary.

## Injector table

Position hob zone	2 kW Rear left	2.9 kW Front left	1kW Front right	2 kW Rear right
Gas type / Gas pressure				
G 20/20 mbar	103	115	72	103
G 30/28-30 mbar	72	87	50	72
G 31/ 37 mbar	72	87	50	72



### 3 Installation

Product must be installed by a qualified person in accordance with the regulations in force. The manufacturer shall not be held responsible for damages arising from procedures carried out by unauthorized persons which may also void the warranty.



Preparation of location and electrical and gas installation for the product is under customer's responsibility.



#### DANGER:

The product must be installed in accordance with all local gas and/or electrical regulations.



#### DANGER:

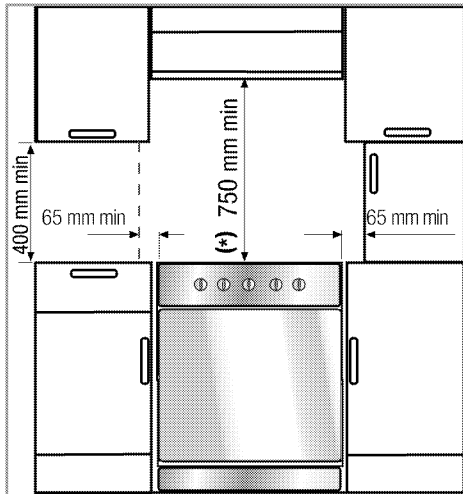
Prior to installation, visually check if the product has any defects on it. If so, do not have it installed.

Damaged products cause risks for your safety.

#### Before installation

To ensure that critical air gaps are maintained under the appliance, we recommend that this appliance is mounted on a solid base and that the feet do not sink into any carpet or soft flooring.

The kitchen floor must be able to carry the weight of the appliance plus the additional weight of cookware and bakeware and food.

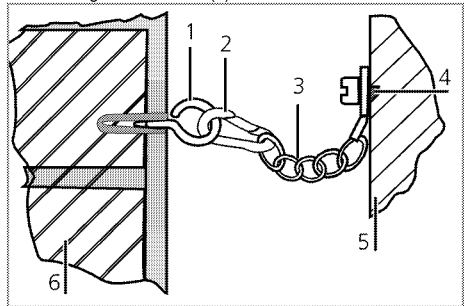


- It can be used with cabinets on either side but in order to have a minimum distance of 400mm above hotplate level allow a side clearance of 65mm between the appliance and any wall, partition or tall cupboard.

- It can also be used in a free standing position. Allow a minimum distance of 750 mm above the hob surface.
- (\*) If a cooker hood is to be installed above the cooker, refer to cooker hood manufacturer' instructions regarding installation height (min 650 mm).
- The appliance corresponds to device class 1, i.e. it may be placed with the rear and **one** side to kitchen walls, kitchen furniture or equipment of any size. The kitchen furniture or equipment on the **other** side may only be of the same size or smaller.
- Any kitchen furniture next to the appliance must be heat-resistant (100 °C min.).

#### Safety chain

The appliance must be secured against overbalancing by using the supplied two safety chains on your oven. Fasten hook (1) by using a proper peg to the kitchen wall (6) and connect safety chain (3) to the hook via the locking mechanism (2).



- Stability hook
- Locking mechanism
- Safety chain (supplied and mounted to oven)
- Firmly fix chain to cooker rear
- Rear of cooker
- Kitchen wall



Stability chain to be as short as practicable to avoid oven tilting forward and diagonal to avoid oven side tilting.

Cooker stability chain for cookers not designed with bracket engagement slot.

#### Room ventilation

All rooms require an openable window, or equivalent, and some rooms will require a permanent vent as well. The air for combustion is taken from the room air and the exhaust gases are emitted directly into the room.

Good room ventilation is essential for safe operation of your appliance. If there is no window or door available for room ventilation, an extra ventilation must be installed.

The appliance may be located in a kitchen, kitchen/diner or a bed-sitting room, but not in a room containing a bath or shower. The appliance must not be installed in a bed-sitting room of less than 20m<sup>3</sup>. Do not install this appliance in a room below ground level unless it is open to ground level on at least one side.

Room size	Ventilation opening
smaller than 5 m <sup>3</sup>	min. 100 cm <sup>2</sup>
5 m <sup>3</sup> to 10 m <sup>3</sup>	min. 50 cm <sup>2</sup>
greater than 10 m <sup>3</sup>	not required
In the cellar or basement	min. 65 cm <sup>2</sup>

## Installation and connection

Product can only be installed and connected in accordance with the statutory installation rules.



Do not install the product next to refrigerators or freezers. The heat emitted by the product will increase the energy consumption of cooling appliances.

- Carry the product with at least two persons.
- Product must be placed directly on the floor. It must not be placed onto a base or a pedestal.



Do not use the door and/or handle to carry or move the product. The door, handle or hinges get damaged.

## Electrical connection

Connect the product to a grounded outlet/line protected by a fuse of suitable capacity as stated in the "Technical specifications" table. Have the grounding installation made by a qualified electrician while using the product with or without a transformer. Our company shall not be liable for any damages that will arise due to using the product without a grounding installation in accordance with the local regulations.



### DANGER:

The product must be connected to the mains supply only by an authorised and qualified person. The product's warranty period starts only after correct installation. Manufacturer shall not be held responsible for damages arising from procedures carried out by unauthorised persons.



### DANGER:

The power cable must not be clamped, bent or trapped or come into contact with hot parts of the product.

A damaged power cable must be replaced by a qualified electrician. Otherwise, there is risk of electric shock, short circuit or fire!

The mains supply data must correspond to the data specified on the type label of the product. The rating plate is either seen when the door or the lower cover is opened or it is located at the rear wall of the unit depending on the unit type.

Power cable of your product must comply with the values in "Technical specifications" table.



Power cable plug must be within easy reach after installation (do not route it above the hob).



### DANGER:

Before starting any work on the electrical installation, disconnect the product from the mains supply.

There is the risk of electric shock!

Plug the power cable into the socket.

## Gas connection



### DANGER:

Product can be connected to gas supply system only by an authorised and qualified person or technician with licence.

Risk of explosion or toxication due to unprofessional repairs!

Manufacturer shall not be held responsible for damages arising from procedures carried out by unauthorised or unlicensed persons.



### DANGER:

Before starting any work on the gas installation, disconnect the gas supply.

There is the risk of explosion!

- Gas adjustment conditions and values are stated on labels (or ion type label).



Your product is equipped for natural gas (NG).

- Natural gas installation must be prepared before installing the product.
- There must be a pipe (Piping advised to be bought from a licensed installer), must comply with local gas standard, at the outlet of the installation for the natural gas connection of your product and the tip of this pipe must be closed with a blind plug. Service Representative will

remove the blind plug during connection and connect your product by means of a straight connection device (coupling).

- Make sure that the natural gas valve is readily accessible.
- If you need to use your product later with a different type of gas, you must consult the Authorised Service Agent for the related conversion procedure.

**DANGER:**  
The gas hose must not be clamped, bent or trapped or come into contact with hot parts of the product.  
There is the risk of explosion due to damaged gas hose.

- Push the product towards the kitchen wall.
- **Adjusting the feet of oven**  
Vibrations during use may cause cooking vessels to move. This dangerous situation can be avoided if the product is level and balanced. For your own safety please ensure the product is level by adjusting the four feet at the bottom by turning left or right and align level with the work top.

### Final check

1. Check electrical functions.
2. Open gas supply.
3. Check gas installations for secure fitting and tightness.
4. Ignite burners and check appearance of the flame.

**i** Flame must be blue and have a regular shape. If the flame is yellowish, check if the burner cap is seated securely or clean the burner.

### Gas conversion

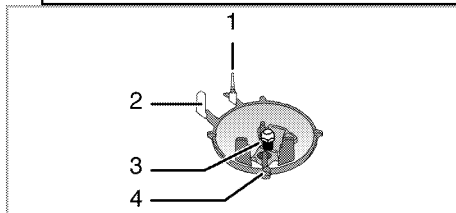
**DANGER:**  
Before starting any work on the gas installation, disconnect the gas supply.  
There is the risk of explosion!

In order to change your appliance's gas type, change all injectors and make flame adjustment for all valves at reduced flow rate position.

### Exchange of injector for the burners

1. Take off burner cap and burner body.
2. Unscrew injectors by turning the counter-clockwise.
3. Fit new injectors.
4. Check all connections for secure fitting and tightness.

**i** New injectors have their position marked on their packing or injector table on *Injector table, page 12* can be referred to.



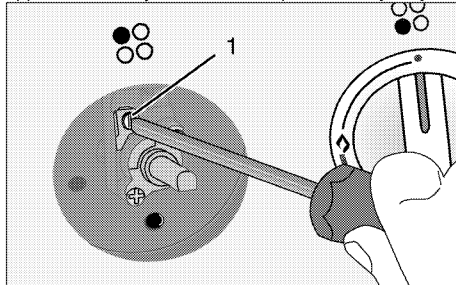
- 1 Flame failure device (model dependant)
- 2 Spark plug
- 3 Injector
- 4 Burner

**i** Unless there is an abnormal condition, do not attempt to remove the gas burner taps. You must call an Authorised service agent if it is necessary to change the taps.

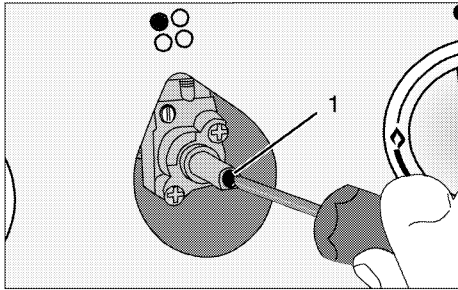
### Reduced gas flow rate setting for hob taps

1. Ignite the burner that is to be adjusted and turn the knob to the reduced position.
2. Remove the knob from the gas tap.
3. Use an appropriately sized screwdriver to adjust the flow rate adjustment screw.  
For LPG (Butane - Propane) turn the screw clockwise. For the natural gas, you should turn the screw **counter-clockwise** once.  
» The normal length of a straight flame in the reduced position should be 6-7 mm.
4. If the flame is higher than the desired position, turn the screw clockwise. If it is smaller turn anticlockwise.
5. For the last control, bring the burner both to high-flame and reduced positions and check whether the flame is on or off.

Depending on the type of gas tap used in your appliance the adjustment screw position may vary.



- 1 Flow rate adjustment screw



1 Flow rate adjustment screw



Do not place any objects onto the product and move it in upright position.



Check the general appearance of your product for any damages that might have occurred during transportation.



If the gas type of the unit is changed, then the rating plate that shows the gas type of the unit must also be changed.

### Future Transportation

- Keep the product's original carton and transport the product in it. Follow the instructions on the carton. If you do not have the original carton, pack the product in bubble wrap or thick cardboard and tape it securely.
- To prevent the wire grill and tray inside the oven from damaging the oven door, place a strip of cardboard onto the inside of the oven door that lines up with the position of the trays. Tape the oven door to the side walls.
- Secure the caps and pan supports with adhesive tape.
- Do not use the door or handle to lift or move the product.

## 4 Preparation

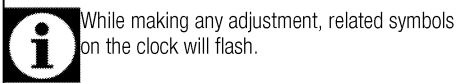
### Tips for saving energy

The following information will help you to use your appliance in an ecological way, and to save energy:

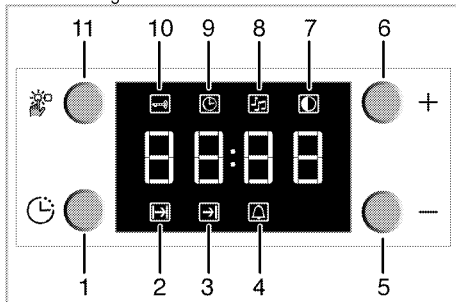
- Use dark coloured or enamel coated cookware in the oven since the heat transmission will be better.
- While cooking your dishes, perform a preheating operation if it is advised in the user manual or cooking instructions.
- Do not open the door of the oven frequently during cooking.
- Try to cook more than one dish in the oven at the same time whenever possible. You can cook by placing two cooking vessels onto the wire shelf.
- Cook more than one dish one after another. The oven will already be hot.
- You can save energy by switching off your oven a few minutes before the end of the cooking time. Do not open the oven door.
- Defrost frozen dishes before cooking them.
- Use pots/pans with cover for cooking. If there is no cover, energy consumption may increase 4 times.
- Select the burner which is suitable for the bottom size of the pot to be used. Always select the correct pot size for your dishes. Larger pots require more energy.

### Initial use

#### Time setting



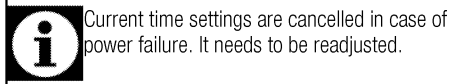
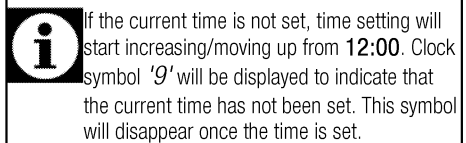
Press „-“ or „+“ (5/6) keys to set the time after the oven is energized for the first time.



- 1 Program key
- 2 Cooking Time symbol

- 3 End of Cooking Time symbol
- 4 Alarm symbol
- 5 Minus key
- 6 Plus key
- 7 Screen brightness setting
- 8 Alarm volume
- 9 Current time
- 10 Keylock symbol
- 11 Adjustment key

After setting the time, you can start and end the cooking by selecting the desired position with temperature button and function button.



#### Changing the time of the day

To change the time of the day you have previously set:

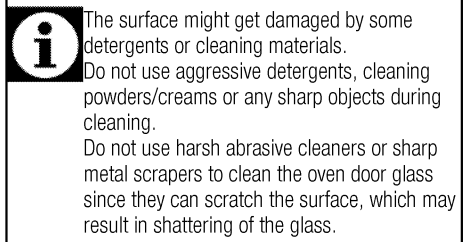
1. Press (11) key to activate current time symbol '9'.
2. Press „-“ or „+“ (5/6) keys to set the current time.

#### Changing screen brightness adjustment

1. Press (11) key to activate screen brightness symbol '7' for screen brightness adjustment.
2. Press „-“ or „+“ (5/6) keys to set the desired brightness.

» Selected brightness level will appear as d-01, d-02 or d-03 on the display.

#### First cleaning of the appliance



1. Remove all packaging materials.
2. Wipe the surfaces of the appliance with a damp cloth or sponge and dry with a cloth.

### Initial heating

Heat up the product for about 30 minutes and then switch it off. Thus, any production residues or layers will be burnt off and removed.



#### **WARNING**

Hot surfaces cause burns!

Product may be hot when it is in use. Never touch the hot burners, inner sections of the oven, heaters and etc. Keep children away. Always use heat resistant oven gloves when putting in or removing dishes into/from the hot oven.

### Electric oven

1. Take all baking trays and the wire grill out of the oven.
2. Close the oven door.
3. Select Static position.
4. Select the highest oven power; See *How to operate the electric oven, page 20*.
5. Operate the oven for about 30 minutes.
6. Turn off your oven; See *How to operate the electric oven, page 20*

### Grill oven

1. Take all baking trays and the wire grill out of the oven.
2. Close the oven door.
3. Select the highest grill power; see *How to operate the grill, page 25*.
4. Operate the grill about 30 minutes.
5. Turn off your grill; see *How to operate the grill, page 25*



Smoke and smell may emit for a couple of hours during the initial operation. This is quite normal. Ensure that the room is well ventilated to remove the smoke and smell. Avoid directly inhaling the smoke and the smell that emits.

## 5 How to use the hob

### General information about cooking



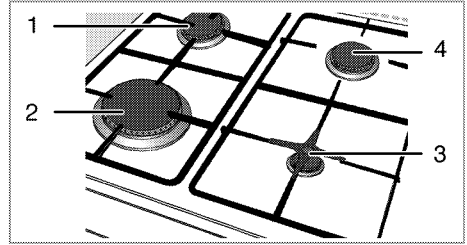
Never fill the pan with oil more than one third of it. Do not leave the hob unattended when heating oil. Overheated oils bring risk of fire. **Never attempt to extinguish a possible fire with water!** When oil catches fire, cover it with a fire blanket or damp cloth. Turn off the hob if it is safe to do so and call the fire department.

- Before frying foods, always dry them well and gently place into the hot oil. Ensure complete thawing of frozen foods before frying.
- Do not cover the vessel you use when heating oil.
- Place the pans and saucepans in a manner so that their handles are not over the hob to prevent heating of the handles. Do not place unbalanced and easily tilting vessels on the hob.
- Do not place empty vessels and saucepans on cooking zones that are switched on. They might get damaged.
- Operating a cooking zone without a vessel or saucepan on it will cause damage to the product. Turn off the cooking zones after the cooking is complete.
- As the surface of the product can be hot, do not put plastic and aluminum vessels on it. Such vessels should not be used to keep foods either.
- Use flat bottomed saucepans or vessels only.
- Put appropriate amount of food in saucepans and pans. Thus, you will not have to make any unnecessary cleaning by preventing the dishes from overflowing.  
Do not put covers of saucepans or pans on cooking zones.  
Place the saucepans in a manner so that they are centered on the cooking zone. When you want to move the saucepan onto another cooking zone, lift and place it onto the cooking zone you want instead of sliding it.

### Gas cooking

- Size of the vessel and the flame must match each other. Adjust the gas flames so that they will not extend the bottom of the vessel and center the vessel on saucepan carrier.

### Using the hobs



- 1 Normal burner 18-20 cm
- 2 Rapid burner 22-24 cm
- 3 Auxiliary burner 12-18 cm
- 4 Normal burner 18-20 cm is list of advised diameter of pots to be used on related burners.

Large flame symbol indicates the highest cooking power and small flame symbol indicates the lowest cooking power. In turned off position (top), gas is not supplied to the burners.

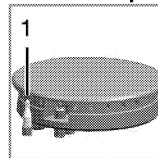
### Igniting the gas burners

1. Keep burner knob pressed.
2. Turn it counter clockwise to large flame symbol.  
» Gas is ignited with the spark created.
3. Adjust it to the desired cooking power.

### Turning off the gas burners

Turn the knob to off (upper) position.

### Gas shut off safety system (in models with thermic component)



1. Gas shut off safety

As a counter measure against blow out due to fluid overflows at burners, safety mechanism trips and shuts off the gas.

- Push the knob inwards and turn it counter clockwise to ignite.
- After the gas ignites, keep the knob pressed for 3-5 seconds more to engage the safety system.
- If the gas does not ignite after you press and release the knob, repeat the same procedure by keeping the knob pressed for 15 seconds.



### DANGER:

Release the button if the burner is not ignited within 15 seconds.

Wait at least 1 minute before trying again. There is the risk of gas accumulation and explosion!

## 6 How to operate the oven

### General information on baking, roasting and grilling



#### WARNING

Hot surfaces cause burns!  
Product may be hot when it is in use. Never touch the hot burners, inner sections of the oven, heaters and etc. Keep children away. Always use heat resistant oven gloves when putting in or removing dishes into/from the hot oven.



#### DANGER:

Be careful when opening the oven door as steam may escape.  
Exiting steam can scald your hands, face and/or eyes.

### Tips for baking

- Use non-sticky coated appropriate metal plates or aluminum vessels or heat-resistant silicone moulds.
- Make best use of the space on the rack.
- Place the baking mould in the middle of the shelf.
- Select the correct rack position before turning the oven or grill on. Do not change the rack position when the oven is hot.
- Keep the oven door closed.

### Tips for roasting

- Treating whole chicken, turkey and large piece of meat with dressings such as lemon juice and black pepper before cooking will increase the cooking performance.
- It takes about 15 to 30 minutes longer to roast meat with bones when compared to roasting the same size of meat without bones.
- Each centimeter of meat thickness requires approximately 4 to 5 minutes of cooking time.
- Let meat rest in the oven for about 10 minutes after the cooking time is over. The juice is better distributed all over the roast and does not run out when the meat is cut.
- Fish should be placed on the middle or lower rack in a heat-resistant plate.

### Tips for grilling

When meat, fish and poultry are grilled, they quickly get brown, have a nice crust and do not get dry. Flat pieces, meat skewers and sausages are particularly suited for grilling as are vegetables with high water content such as tomatoes and onions.

- Distribute the pieces to be grilled on the wire shelf or in the baking tray with wire shelf in such a way that the space covered does not exceed the size of the heater.
- Slide the wire shelf or baking tray with grill into the desired level in the oven. If you are grilling on the wire shelf, slide the baking tray to the lower rack to collect fats. Add some water in the tray for easy cleaning.



Foods that are not suitable for grilling carry the risk of fire. Only grill food which is suitable for intensive grilling heat.

Do not place the food too far in the back of the grill. This is the hottest area and fatty food may catch fire.

### How to operate the electric oven

#### Select temperature and operating mode



- 1 Function knob
- 2 Thermostat knob

1. Set the Function knob to the desired operating mode.
2. Set the Temperature knob to the desired temperature.

» Oven heats up to the adjusted temperature and maintains it. During heating, temperature lamp stays on.

#### Switching off the electric oven

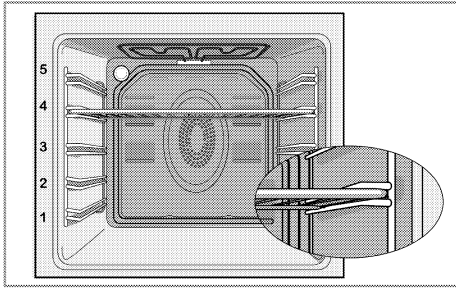
Turn the function knob and temperature knob to off (upper) position.

#### Rack positions (For models with wire shelf)

It is important to place the wire shelf onto the side rack correctly. Wire shelf must be inserted between the side racks as illustrated in the figure.

Do not let the wire shelf stand against the rear wall of the oven. Slide your wire shelf to the front section of the rack and settle it with the help of the door in order to obtain a good grill performance.





### Operating modes

The order of operating modes shown here may be different from the arrangement on your product.

#### Top and bottom heating



Top and bottom heating are in operation. Food is heated simultaneously from the top and bottom. For example, it is suitable for cakes, pastries, or cakes and casseroles in baking moulds. Cook with one tray only.

#### Bottom heating



Only bottom heating is in operation. It is suitable for pizza and for subsequent browning of food from the bottom.

#### Fan supported bottom/top heating



Top heating, bottom heating plus fan (in the rear wall) are in operation. Hot air is evenly distributed throughout the oven rapidly by means of the fan. Cook with one tray only.

#### Operating with fan



The oven is not heated. Only the fan (in the rear wall) is in operation. Suitable for thawing frozen granular food slowly at room temperature and cooling down the cooked food.

#### Fan Heating



Warm air heated by the rear heater is evenly distributed throughout the oven rapidly by means of the fan. It is suitable for cooking your meals in different rack levels and preheating is not required in most cases. Suitable for cooking with multi trays.

#### "3D" function



Top heating, bottom heating and fan assisted heating (in the rear wall) are in operation. Food is cooked evenly and quickly all around. Cook with one tray only.

#### Full grill



Large grill at the ceiling of the oven is in operation. It is suitable for grilling large amount of meat.

- Put big or medium-sized portions in correct rack position under the grill heater for grilling.
- Set the temperature to maximum level.
- Turn the food after half of the grilling time.

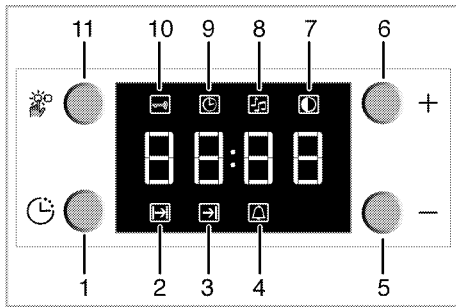
#### Grill+Fan







Grilling effect is not as strong as in Full Grill

- Put small or medium-sized portions in correct shelf position under the grill heater for grilling.
- Set the desired temperature.
- Turn the food after half of the grilling time.

## Using the oven clock



- 1 Program key
- 2 Cooking Time symbol
- 3 End of Cooking Time symbol
- 4 Alarm symbol
- 5 Minus key
- 6 Plus key
- 7 Screen brightness setting
- 8 Alarm volume
- 9 Current time
- 10 Keylock symbol
- 11 Adjustment key

	Maximum time that can be set for end of cooking is 5 hours 59 minutes. Program will be cancelled in case of power failure. You must reprogram the oven.
	While making any adjustments, related symbols will flash on the display. You must wait for a short time for the settings to take effect.
	If no cooking setting is made, time of the day cannot be set.
	Cooking time will be displayed once the cooking starts.

### Cooking by specifying the cooking time:


You can set the oven so that it will stop at the end of the specified time by setting the cooking time on the clock.

1. To adjust the cooking time, Press Program key (1) and activate the Cooking Time symbol (2).
2. Press '-' / '+' (5/6) keys to set the cooking time.  
» Once the Cooking Time is set, Cooking symbol will be displayed continuously.

### If you want to set the end of cooking time to a later time:

After setting the cooking time on the clock, you can set the end of cooking time to a later time.

1. To adjust the cooking time, press Program key (1) and activate the Cooking Time symbol (2).
2. Adjust the cooking time with Minus (5) and Plus (6) keys.  
» Cooking Time symbol remains lit (displayed continuously) after setting the cooking time.
3. To set the End of Cooking Time, Press Program key (1) and activate the Cooking Time symbol (3).
4. Press - (5) and + (6) keys to set the end of cooking time.  
» Once the End of Cooking Time is set, End of Cooking symbol and Cooking symbol will be displayed continuously. The End of Cooking Time symbol (3) will disappear as soon as the cooking starts.
5. Put your dish into the oven.
6. Select operation mode and temperature.  
» Oven timer automatically calculates the startup time for cooking by using the end of cooking time and the cooking period you have set. Selected operation mode is activated when the startup time of cooking has come and the oven is heated up to the set temperature. It maintains this temperature until the end of cooking time.
7. After the cooking process is completed, "End" appears on the displayed and the alarm will sound.
8. Alarm signal will sound for 2 minutes. To stop the alarm signal, just press any key. Alarm will be silenced and current time will be displayed.

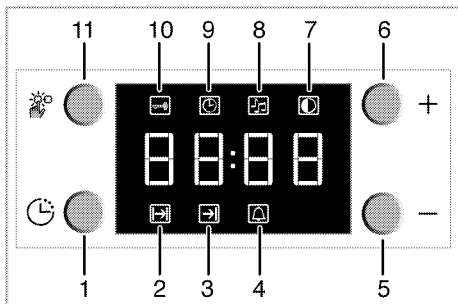
	If you mute the alarm by pressing any key, the oven will restart operating. If you press any button at the end of the alarm period, the oven will restart operating.
--	---

9. Turn off the oven with the Temperature knob and Function knob.

### Using the keylock

#### Activating the keylock

You can prevent oven from being used by activating the Keylock function.



- 1 Program key
- 2 Cooking Time symbol
- 3 End of Cooking Time symbol
- 4 Alarm symbol
- 5 Minus key
- 6 Plus key
- 7 Screen brightness setting
- 8 Alarm volume
- 9 Current time
- 10 Keylock symbol
- 11 Adjustment key

1. Press the key (11) to activate Keylock symbol (10).  
» "OFF" will appear on the display.
2. Press '+' key (6) to activate the keylock.  
» Once the keylock is activated, "On" appears on the display and the Keylock symbol (10) remains lit.



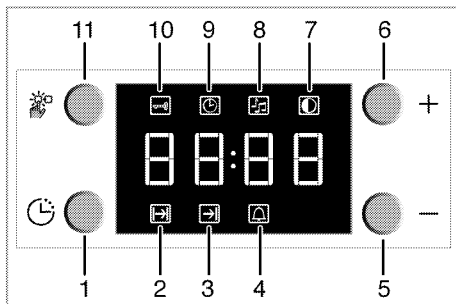
When the Keylock function is activated, control panel buttons except for the key (11) cannot be used.

### Deactivating the keylock

1. Press Adjustment key (11) to activate Keylock symbol (10).  
» "On" will appear on the display.
2. Press '-' (5) to deactivate the keylock.  
» "OFF" will be displayed once the keylock is deactivated.

### Using the clock as an alarm

You can use the clock of the product for any warning or reminder apart from the cooking programme. The alarm clock has no influence on the functions of the oven. It is only used as a warning. For example, this is useful when you want to turn food in the oven at a certain point of time. Alarm clock will give a signal once the time you set is over.



- 1 Program key
- 2 Cooking Time symbol
- 3 End of Cooking Time symbol
- 4 Alarm symbol
- 5 Minus key
- 6 Plus key
- 7 Screen brightness setting
- 8 Alarm volume
- 9 Current time
- 10 Keylock symbol
- 11 Adjustment key

### Setting the alarm clock

1. Press Program key (1) to activate the alarm time symbol (4).



Maximum alarm time can be 23 hours and 59 minutes.

2. Adjust the alarm time using „+“/„-“ (5/6) keys.  
» Alarm symbol will remain lit and the alarm time will appear on the display once the alarm time is set.
3. At the end of the alarm time, Alarm Time symbol (4) will start flashing and the alarm signal is heard.

### Turning off the alarm

1. To stop the alarm, just press any key.  
» Alarm will be silenced and current time will be displayed.

### If you want to cancel the alarm:

1. To reset the alarm time, press Program key (1) to activate the alarm time symbol (4).
2. Press and hold the '-' (5) key until "00:00" is displayed.



Alarm time will be displayed. If the alarm time and cooking time are set concurrently, shortest time will be displayed.

### Changing alarm tone

1. Press Setting key (11) to activate the Alarm Tone symbol (8).
2. Adjust the desired tone using „+“/„-“ (5/6) keys.  
» Selected alarm tone will appear as "b-01", "b-02" or "b-03" on the display.

## Cooking times table



The timings in this chart are meant as a guide. Timings may vary due to temperature of food, thickness, type and your own preference of cooking.

## Baking and roasting



1st rack of the oven is the **bottom** rack.

Dish	Cooking level number		Rack position	Temperature (°C)	Cooking time (approx. in min.)
Cakes in tray*	One level		4	175	30 ... 35
Cakes in mould*	One level		2	180	40 ... 50
Cakes in cooking paper*	One level		3	175	25 ... 30
	2 levels		1 - 5	175	30 ... 40
	3 levels		1 - 3 - 5	180	45 ... 55
Sponge cake*	One level		3	200	5 ... 10
	2 levels		1 - 5	175	18 ... 25
Cookies*	One level		3	175	20 ... 25
	2 levels		1 - 5	175	25 ... 30
	3 levels		1 - 3 - 5	175	30 ... 40
Dough pastry*	One level		2	200	30 ... 40
	2 levels		1 - 5	200	45 ... 55
	3 levels		1 - 3 - 5	200	55 ... 65
Rich pastry*	One level		2	200	25 ... 35
	2 levels		1 - 5	200	30 ... 40
	3 levels		1 - 3 - 5	190	40 ... 50
Leaven*	One level		2	200	35 ... 45
	2 levels		1 - 3	200	35 ... 45
Lasagna*	One level		2 - 3	200	30 ... 40
Pizza*	One level		2	200 ... 220	15 ... 20
Beef steak (whole) / Roast	One level		3	25 min. 250/max, then 180 ... 190	100 ... 120
Leg of Lamb (casserole)	One level		3	25 min. 250/max, then 190	70 ... 90
Roasted chicken	One level		2	15 min. 250/max, then 180 ... 190	65 ... 70
	One level		2	15 min. 250/max, then 180 ... 190	55 ... 65
Turkey (5.5 kg)	One level		2	25 min. 250/max, then 180 ... 190	150 ... 210
	One level		2	25 min. 250/max, then 180 ... 190	150 ... 210
Fish	One level		3	200	20 ... 30
	One level		3	200	20 ... 30

When cooking with 2 trays at the same time, place the deeper tray on the upper rack and the other one on the lower rack.  
\* It is suggested to perform preheating for all foods.

(\*\*) In a cooking that requires preheating, preheat at the beginning of cooking until the thermostat lamp turns off.

### Tips for baking cake

- If the cake is too dry, increase the temperature by 10°C and decrease the cooking time.
- If the cake is wet, use less liquid or lower the temperature by 10°C.
- If the cake is too dark on top, place it on a lower rack, lower the temperature and increase the cooking time.
- If cooked well on the inside but sticky on the outside use less liquid, lower the temperature and increase the cooking time.
- layers of dough with a sauce composed of milk, oil, egg and yoghurt.
- If the pastry takes too long to bake, pay care that the thickness of the pastry you have prepared does not exceed the depth of the tray.
- If the upper side of the pastry gets browned, but the lower part is not cooked, make sure that the amount of sauce you have used for the pastry is not too much at the bottom of the pastry. Try to scatter the sauce equally between the dough layers and on the top of pastry for an even browning.

### Tips for baking pastry

- If the pastry is too dry, increase the temperature by 10°C and decrease the cooking time. Dampen the



Cook the pastry in accordance with the mode and temperature given in the cooking table. If the bottom part is still not browned enough, place it on one lower rack next time.

### Tips for cooking vegetables

- If the vegetable dish runs out of juice and gets too dry, cook it in a pan with a lid instead of a tray. Closed vessels will preserve the juice of the dish.
- If a vegetable dish does not get cooked, boil the vegetables beforehand or prepare them like canned food and put in the oven.

### How to operate the grill



#### WARNING

Close oven door during grilling.  
Hot surfaces may cause burns!

### Switching on the grill

1. Turn the Function knob to the desired grill symbol.
2. Then, select the desired grilling temperature.
3. If required, perform a preheating of about 5 minutes.

» Temperature light turns on.

### Switching off the grill

1. Turn the Function knob to Off (top) position.



Foods that are not suitable for grilling carry the risk of fire. Only grill food which is suitable for intensive grilling heat.

Do not place the food too far in the back of the grill. This is the hottest area and fatty food may catch fire.

### Cooking times table for grilling

#### Grilling with electric grill

Food	Insertion level	Grilling time (approx.)
Fish	4..5	20..25 min. #
Sliced chicken	4..5	25...35 min.
Lamb chops	4..5	20..25 min.
Roast beef	4..5	25..30 min. #
Veal chops	4..5	25...30 min. #
Toast bread	4	1...2 min.

# depending on thickness

# 7 Maintenance and care

## General information

Service life of the product will extend and the possibility of problems will decrease if the product is cleaned at regular intervals.



### DANGER:

Disconnect the product from mains supply before starting maintenance and cleaning works.

There is the risk of electric shock!



### DANGER:

Allow the product to cool down before you clean it.

Hot surfaces may cause burns!

- Clean the product thoroughly after each use. In this way it will be possible to remove cooking residues more easily, thus avoiding these from burning the next time the appliance is used.
- No special cleaning agents are required for cleaning the product. Use warm water with washing liquid, a soft cloth or sponge to clean the product and wipe it with a dry cloth.
- Always ensure any excess liquid is thoroughly wiped off after cleaning and any spillage is immediately wiped dry.
- Do not use cleaning agents that contain acid or chloride to clean the stainless or inox surfaces and the handle. Use a soft cloth with a liquid detergent (not abrasive) to wipe those parts clean, paying attention to sweep in one direction.
- Do not use solid metal scrapers or abrasive cleaning materials to clean the glass cover. Glass surface can get damaged.



The surface might get damaged by some detergents or cleaning materials.

Do not use aggressive detergents, cleaning powders/creams or any sharp objects during cleaning.

Do not use harsh abrasive cleaners or sharp metal scrapers to clean the oven door glass since they can scratch the surface, which may result in shattering of the glass.



Do not use steam cleaners to clean the appliance as this may cause an electric shock.

## Cleaning the hob

### Gas hobs

1. Remove and clean the saucepan carriers and burner caps.
2. Clean the hob.
3. Install the burner caps and make sure that they are seated correctly.
4. When installing the upper grills, pay attention to place the saucepan carriers so that the burners are centered.

## Cleaning the control panel

Clean the control panel and knobs with a damp cloth and wipe them dry.



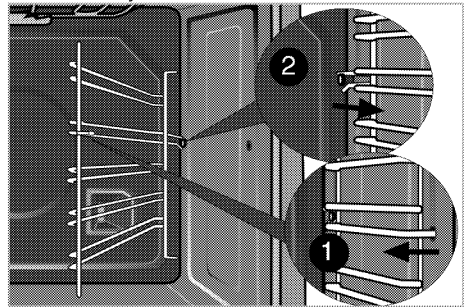
Do not remove the control buttons/knobs to clean the control panel.

Control panel may get damaged!

## Cleaning the oven

### To clean the side wall

1. Remove the front section of the side rack by pulling it in the opposite direction of the side wall.
2. Remove the side rack completely by pulling it towards you.



### Clean oven door

To clean the oven door, use warm water with washing liquid, a soft cloth or sponge to clean the product and wipe it with a dry cloth.

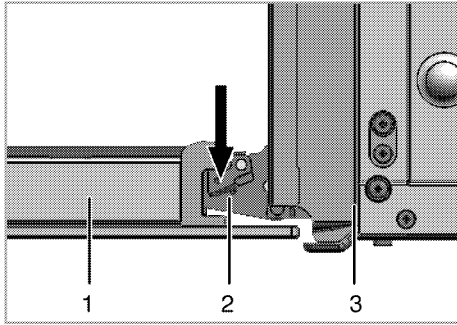


Don't use any harsh abrasive cleaners or sharp metal scrapers for cleaning the oven door.

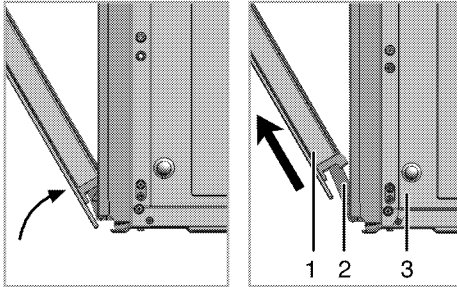
They could scratch the surface and destroy the glass.

## Removing the oven door

1. Open the front door (1).
2. Open the clips at the hinge housing (2) on the right and left hand sides of the front door by pressing them down as illustrated in the figure.



- 1 Front door
- 2 Hinge
- 3 Oven



- 3. Move the front door to half-way.
- 4. Remove the front door by pulling it upwards to release it from the right and left hinges.

**i** Steps carried out during removing process should be performed in reverse order to install the door. Do not forget to close the clips at the hinge housing when reinstalling the door.

## Replacing the oven lamp



### DANGER:

Before replacing the oven lamp, make sure that the product is disconnected from mains and cooled down in order to avoid the risk of an electrical shock.  
Hot surfaces may cause burns!



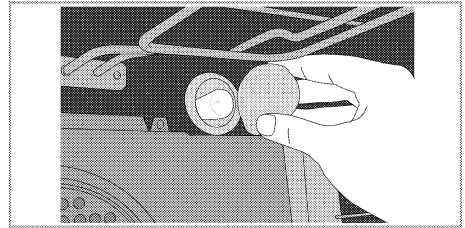
The oven lamp is a special electric light bulb that can resist up to 300 °C. See *Technical specifications, page 12* for details. Oven lamps can be obtained from Authorised Service Agents or technician with licence.



Position of lamp might vary from the figure.

### If your oven is equipped with a round lamp:

- 1. Disconnect the product from mains.
- 2. Turn the glass cover counter clockwise to remove it.



- 3. Remove the oven lamp by turning it counter clockwise and replace it with the new one.
- 4. Install the glass cover.

## 8 Troubleshooting

### **Oven emits steam when it is in use.**

- It is normal that steam escapes during operation. >>> *This is not a fault.*

### **Product emits metal noises while heating and cooling.**

- When the metal parts are heated, they may expand and cause noise. >>> *This is not a fault.*

### **Product does not operate.**

- The mains fuse is defective or has tripped. >>> *Check fuses in the fuse box. If necessary, replace or reset them.*
- Product is not plugged into the (grounded) socket. >>> *Check the plug connection.*
- Buttons/knobs/keys on the control panel do not function. >>> *Keylock may be enabled. Please disable it. (See. Using the keylock, page 22)*

### **Oven light does not work.**

- Oven lamp is defective. >>> *Replace oven lamp.*
- Power is cut. >>> *Check if there is power. Check the fuses in the fuse box. If necessary, replace or reset the fuses.*

### **Oven does not heat.**

- Function and/or Temperature are not set. >>> *Set the function and the temperature with the Function and/or Temperature knob/key.*
- In models equipped with a timer, the timer is not adjusted. >>> *Adjust the time.*  
(In products with microwave oven, timer controls only microwave oven.)
- Power is cut. >>> *Check if there is power. Check the fuses in the fuse box. If necessary, replace or reset the fuses.*

### **There is no ignition spark.**

- No current. >>> *Check fuses in the fuse box.*
- Time is not set. >>> *Set the time.*

### **There is no gas.**

- Main gas valve is closed. >>> *Open gas valve.*
- Gas pipe is bent. >>> *Install gas pipe properly.*

### **Burners are not burning properly or at all.**

- Burners are dirty. >>> *Clean burner components.*
- Burners are wet. >>> *Dry the burner components.*
- Burner cap is not mounted safely. >>> *Mount the burner cap properly.*
- Gas valve is closed. >>> *Open gas valve.*
- Gas cylinder is empty (when using LPG). >>> *Replace gas cylinder.*

### **(In models with timer) Clock display is blinking or clock symbol is on.**

- A previous power outage has occurred. >>> *Adjust the time / Switch of the product and switch it on again.*



Consult the Authorised Service Agent or technician with licence or the dealer where you have purchased the product if you can not remedy the trouble although you have implemented the instructions in this section. Never attempt to repair a defective product yourself.





Prosím, čtěte nejprve tento návod.

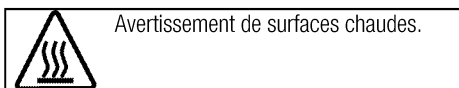
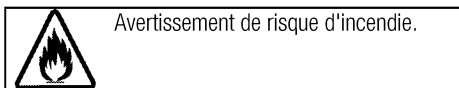
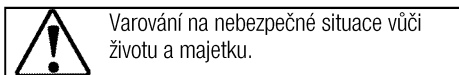
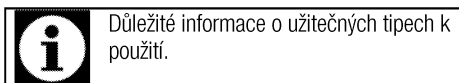
Cher client,

Děkujeme za výběr produktu Beko. Doufáme, že s tímto produktem, který byl vyroben s využitím vysoce kvalitní a moderní technologie, dosáhnete těch nejlepších výsledků. Proto si před použitím produktu pečlivě přečtěte celý návod k použití a jakékoli doplňující dokumenty a uchovejte je pro budoucí použití. Pokud produkt předáte další osobě, rovněž jí předejte návod k použití. Dodržte veškerá varování a informace obsažené v návodu k použití.

Nezapomeňte, že tento návod se může vztahovat i k několika jiným modelům. Rozdíly mezi modely jsou v návodu výslovně uvedeny.

### Signification des symboles

Tout au long de ce manuel, les symboles suivants sont utilisés:



**Arçelik A.Ş.**  
Karaağaç caddesi No:2-6  
34445 Sütlüce/Istanbul/TURKEY  
Made in TURKEY

<b>1</b>	<b>Důležité pokyny a upozornění týkající se bezpečnosti a životního prostředí</b>	<b>4</b>
	Obecná bezpečnost .....	4
	Bezpečnost při práci s plynem .....	4
	Elektrická bezpečnost.....	5
	Bezpečnost produktu .....	6
	Určené použití.....	8
	Mises en garde pour les enfants .....	8
	Likvidace starého výrobku .....	8
	Likvidace obalových materiálů .....	8
<b>2</b>	<b>Obecné informace</b>	<b>9</b>
	Přehled .....	9
	Obsah balení .....	10
	Technické parametry.....	11
	Tabulka injektoru .....	11
<b>3</b>	<b>Montáž</b>	<b>12</b>
	Před montáží .....	12
	Instalace a připojení .....	13
	Změna plynu .....	14
	Likvidace starého výrobku .....	15
<b>4</b>	<b>Příprava</b>	<b>16</b>
	Tipy pro úsporu energie.....	16
	Úvodní použití .....	16
	Nastavení času .....	16
	První čištění produktu.....	16
	Výchozí ohřev .....	16
<b>5</b>	<b>Používání varné desky</b>	<b>18</b>
	Obecné informace o vaření .....	18
	Používání varných desek.....	18
<b>6</b>	<b>Obsluha trouby</b>	<b>19</b>
	Obecné informace pro pečení, rožnění a grilování..	19
	Používání elektrické trouby.....	19
	Provozní režimy .....	20
	Používání hodin trouby.....	21
	Použití zámku.....	21
	Používání hodin jako budíku .....	22
	Tabulka časů vaření .....	23
	Ovládání grilu.....	24
	Tabulka časů pečení pro grilování.....	24
<b>7</b>	<b>Údržba a péče</b>	<b>25</b>
	Obecné informace .....	25
	Čištění varné desky. ....	25
	Čištění ovládacího panelu .....	25
	Čištění trouby.....	25
	Odstranění dvířka trouby.....	25
	Výměna vnitřní žárovky .....	26
<b>8</b>	<b>Odstraňování potíží</b>	<b>27</b>

## **1 Důležité pokyny a upozornění týkající se bezpečnosti a životního prostředí**

Tento oddíl obsahuje bezpečnostní pokyny, které vám pomohou předejít riziku zranění a poškození.

Nedodržení těchto pokynů zruší platnost záruky.

### **Obecná bezpečnost**

- Toto zařízení může být používáno dětmi staršími 8 let a osobami se sníženými fyzickými, smyslovými nebo duševními schopnostmi nebo s nedostatkem zkušeností, pokud je na ně dohlíženo nebo byly poučeny o použití zařízení bezpečným způsobem a rozumí zahrnutým rizikům.

Děti si nesmí se zařízením hrát.

Čištění a údržba uživatelem nesmí být prováděna dětmi bez dozoru.

- Produkt nikdy nepokládejte na podlahu zakrytou kobercem. Nedostatek vzduchu pod produktem způsobí přehřátí elektrických součástí. To způsobí problémy s vaším produktem.
- Instalaci a opravy musejí vždy provádět pracovníci autorizovaného servisu. Výrobce neodpovídá za škody vzniklé při procesech prováděných neoprávněnými osobami, může dojít i k propadnutí záruky. Před instalací si pečlivě přečtěte pokyny.

- Nepoužívejte výrobek, pokud je vadný nebo vykazuje viditelné škody.
- Po každém použití zkontrolujte, zda jsou všechna funkční tlačítka vypnutá.

### **Bezpečnost při práci s plynem**

- Všechny činnosti s plynovým zařízením a systémy mohou provádět jen autorizované osoby.
- Před instalací ověřte, zda podmínky místní rozvodné sítě (typ a tlak plynu) a nastavení spotřebiče jsou slučitelné.
- Tento spotřebič není připojen k zařízení na odvod produktů spalování. Mělo by být zařízení a připojeno v souladu s platnými montážními předpisy. Zvláštní pozornost věnujte příslušným požadavkům na ventilaci; Viz *Před montáží, strana 12*
- Při používání plynových vaříčů vzniká teplo, vlhkost a produkty spalování v místnosti, kde jsou vaříče instalovány. Zkontrolujte, zda je kuchyně řádně odvětraná, zejména během používání spotřebiče. Udržujte otevřené přirozené větrací otvory nebo použijte mechanické ventilační zařízení (mechanická odsávací digestoř). Dlouhodobé intenzivní používání spotřebiče může vést k

nutnosti instalovat další ventilaci, například zvýšením hladiny mechanické ventilace, je-li dostupná.

- Plynové spotřebiče a systémy je nutno pravidelně kontrolovat. Regulátor, hadice a její svorka musí být pravidelně kontrolovány a vyměňovány v intervalech doporučených výrobcem nebo v případě nutnosti.
- Plynové hořáky pravidelně čistěte. Plameny by měly být modré a rovnoměrně hořet.
- Správné spalování je nezbytné pro plynové spotřebiče. V případě neodkonaleho spalování se může uvolnit oxid uhelnatý (CO). Oxid uhelnatý je plyn bez barvy a zápachu, který je velmi jedovatý a má smrtelné účinky i ve velmi malých dávkách.
- Vyžádejte si informace o telefonních číslech pro pohotovost plynu a bezpečnostních opatřeních v případě, že ucítíte unikající plyn.

### **Postup v případě, že ucítíte plyn**

- Nepoužívejte otevření oheň a nekuřte. Nepoužívejte žádná elektrická tlačítka (např. lampu, domovní zvonek atd.). Nepoužívejte telefony nebo mobilní telefony. Riziko výbuchu a otravy!

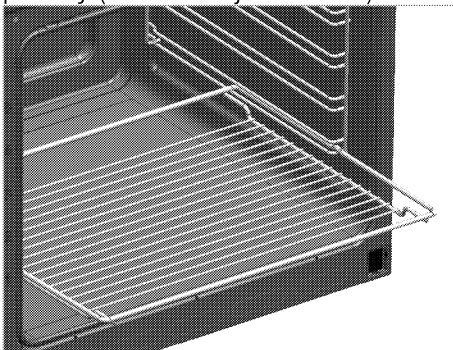
- Zavřete všechny ventily na plynových spotřebičích a plynových hodinách.
- Otevřete dveře a okna.
- Zkontrolujte těsnost všech trubic a spojení. Pokud stále cítíte unikající plyn, vyjděte z bytu.
- Upozorněte sousedy.
- Přivolejte hasiče. Použijte telefon mimo dům.
- Nepronikajte do zařízení, pokud nemáte informace, že je to bezpečné.

### **Elektrická bezpečnost**

- Dojde-li k selhání produktu, nesmí být používán až do okamžiku opravy zástupcem autorizovaného servisu. Hrozí riziko zásahu elektrickým proudem!
- Produkt zapojte pouze do uzemněné zásuvky s daným napětím a ochranou uvedenou v "Technické údaje". Uzemnění musí zajistit kvalifikovaný elektrikář, pokud používáte výrobek s transformátorem nebo bez něj. Naše společnost nenese žádnou zodpovědnost za problémy vyplývající z neuzemnění produktu v souladu s místními směnicemi.
- Produkt nikdy nemyjte nalitím vody na něj! Hrozí riziko zásahu elektrickým proudem!

- Zásuvky se nikdy nedotýkejte mokřými rukama! Zástrčku nikdy neodpojujte tahem za kabel, vždy za zástrčku.
  - Produkt musí být během instalace, údržby, čištění nebo oprav odpojen.
  - Pokud je napájecí kabel poškozen, musí jej vyměnit výrobce, jeho servisní zástupce nebo obdobně kvalifikovaná osoba, aby se předešlo riziku.
  - Spotřebič musí být nainstalován tak, aby byl ze sítě zcela odpojen. Oddělení musí být zajištěno buď zástrčkou nebo spínačem vestavěným do fixní elektrické instalace, v souladu se stavebními směrnici.
  - La surface arrière du four devient chaude lors de l'utilisation. Zkontrolujte, zda není plynové/elektrické napojení v kontaktu se zadní stěnou; jinak může dojít k poškození spojů.
  - Nezachycujte napájecí kabel mezi dvířky trouby a rám a nevedte jej po horkých plochách. Jinak může dojít k roztavení izolace kabelu a následkem zkratu dojde k požáru.
  - Všechny činnosti s elektrickým zařízením a systémy mohou provádět jen autorizované osoby.
  - V případě jakýchkoli poškození vypněte přístroj a odpojte jej od napájení. Za tímto účelem vypněte domovní pojistku.
  - Zkontrolujte, zda je hodnota pojistky kompatibilní s výrobkem.
- ### Bezpečnost produktu
- Spotřebič a dostupné části se při používání zahřívají. Dávejte pozor, abyste se nedotkli topných prvků. Děti do 8 let věku udržujte mimo dosah nebo pod stálým dohledem.
  - Nikdy nepoužívejte výrobek, pokud váš úsudek nebo koordinaci ovlivňuje použití alkoholu a/nebo léků.
  - Soyez prudent lors de l'utilisation d'alcool dans vos plats. Alkohol se při vysokých teplotách vypařuje a může způsobit požár, jelikož se vznítí, když se dostane do kontaktu s horkou plochou.
  - Nestavte žádné hořlavé materiály vedle výrobku, jelikož jeho boky se při používání zahřejí.
  - Během použití se spotřebič zahřeje. Dávejte pozor, abyste se nedotkli topných prvků.
  - Všechny větrací otvory musejí zůstat bez překážek.
  - Neohřívejte uzavřené plechovky a sklenice v troubě. Tlak, který se nahromadí ve sklenici/plechovce, může vést k jejímu prasknutí.
  - Neumísťujte pečicí plechy, nádoby či allobal přímo na dno trouby. Nahromaděné horko může poškodit dno trouby.

- Nepoužívejte drsné abrazivní čisticí prostředky nebo ostré kovové stěrky na čištění skla dvířek trouby, protože mohou poškrábat povrch, což může vést k poničení skla.
- Na čištění spotřebiče nepoužívejte parní čističe, mohlo by dojít k zásahu elektrickým proudem.
- Správné umístění drátěné police a plechu na drátěné přihrádky  
Je nutné správně umístit polici a/nebo plech na přihrádku. Nasuňte polici nebo plech mezi 2 kolejnice a zajistěte, aby byla v rovnováze, než na ni umístíte pokrmy (viz následující obrázek).



- Nepoužívejte výrobek bez předních skleněných dveří nebo s prasklými dveřmi.
- Madlo trouby není sušák pro utěrky. Nevěšte na něj utěrky, rukavice nebo podobné textilní výrobky, když je v provozu gril s otevřenými dvířky.
- Vždy používejte tepluvzdorné rukavice při vkládání a vyjímání nádob z horké trouby.

- Pečící papír dejte do pekáče nebo do příslušenství trouby (plech, gril, atd.) společně s jídlem a potom vše zasuňte do předehřáté trouby. Odstraňte části pečícího papíru přečnívající okraje pekáče nebo příslušenství, abyste předešli nebezpečí kontaktu s topnými tělesy v troubě. Pečící papír nikdy nepoužívejte při teplotě překračující uvedenou hodnotu na obalu pečícího papíru. Pečící papír nedávejte přímo na dno trouby.
- Než začnete žárovku vyměňovat, ujistěte se, zda je spotřebič vypnutý, abyste tak předešli možnosti úrazu elektrickým proudem.
- Neuzavírejte horní kryt, než se plotny nebo hořáky ochladí. Otřete horní kryt, než jej otevřete, aby nedošlo k úniku vody do zadních a vnitřních částí trouby.
- Vaření bez dozoru, při kterém používáte tuk nebo olej může být nebezpečné a může způsobit požár. NIKDY se nepokoušejte uhasit oheň vodou, ale vypněte spotřebič a poté plamen zakryjte pokličkou nebo hasicí rouškou.
- Nebezpečí požáru: Na povrchu určeném k vaření neskladujte žádné předměty.

Pro spolehlivost ohně:

- Ujistěte se, zda zástručka zapadla do zásuvky a nezpůsobí vznik jiskry.
- Nepoužívejte poškozený nebo nalomený prodlužovací kabel ani jiný než originální kabel.

- Ujistěte se, zda je při zapojení není na zástrčce žádná vlhkost ani kapalina.
- Ujistěte se, zda je připojení plynu nainstalované dobře a nedojde k unikání plynu.

### Určené použití

- Tento výrobek je určen pro domácí použití. Komerční použití není přípustné.
- Toto zařízení je určeno jen pro vaření. Nesmí se používat na jiné účely, například k vytápění místností.
- Tento výrobek nepoužívejte k ohřívání talířů pod grilem, sušení ručníků a utěrek atd. na rukojeti a pro vytápění.
- Výrobce nezodpovídá za žádné škody způsobené nesprávným použitím nebo manipulací.
- Troubu lze použít k rozmrazení, pečení, rožnění a grilování pokrmů.

### Mises en garde pour les enfants

- Přístupné části se mohou během používání rozehrát. Malé děti udržujte mimo dosah.
- Obalové materiály jsou pro děti nebezpečné. Udržujte děti mimo dosah obalových materiálů. Veuillez jeter les fournitures d'emballage en respectant les normes relatives à l'environnement.

- Elektrické a/nebo plynové výrobky jsou nebezpečné pro děti. Udržujte děti mimo tento výrobek, pokud je v provozu, nedovolte jim hrát si s výrobkem.
- Nad spotřebič nestavte žádné předměty, na něž by děti mohly dosáhnout.
- Když jsou otevřená dvířka trouby, nevkládejte na ně žádný těžký předmět a nedovolte dětem, aby na ně sedaly. Může se převrátit nebo by se poškodily závěsy dveří.

### Likvidace starého výrobku

#### Dodržování směrnice WEEE a o likvidaci odpadů:



Tento produkt splňuje směrnici EU WEEE (2012/19/EU). Tento výrobek nese symbol pro třídění, platný pro elektrický a elektronický odpad (WEEE).

Tento produkt byl vyroben z vysoce kvalitních součástí a materiálů, které lze znovu použít a které jsou vhodné pro recyklaci. Produkt na konci životnosti nevyhazujte do běžného domácího odpadu. Odveďte ho do sběrného místa pro recyklaci elektrických a elektronických zařízení. Informace o těchto sběrných místech získáte na místních úřadech.

#### Dodržování směrnice RoHS:

Produkt, který jste zakoupili splňuje směrnici EU RoHS (2011/65/EU). Neobsahuje žádné škodlivé ani zakázané materiály, které jsou směrnici zakázané.

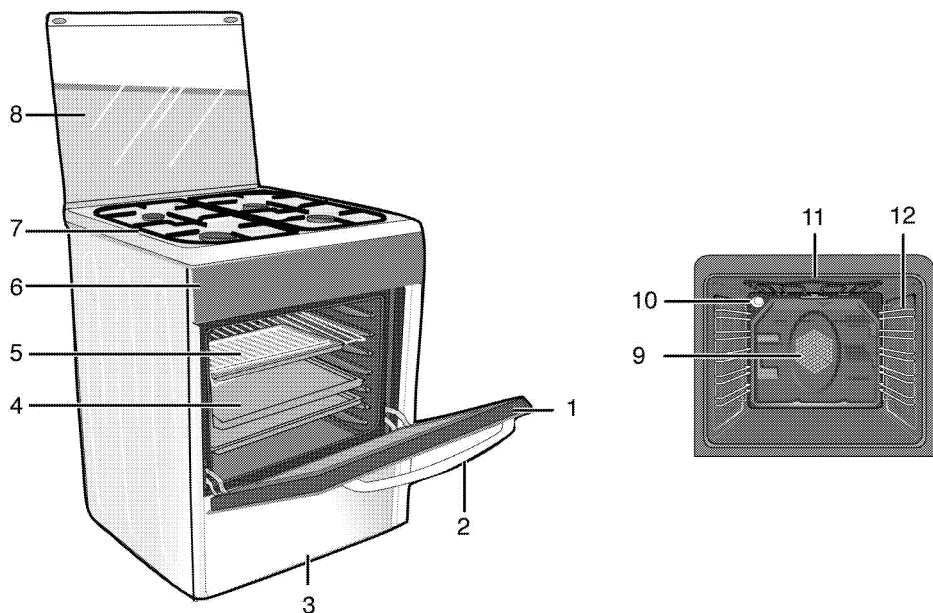
#### Likvidace obalových materiálů

- Obalové materiály jsou nebezpečné pro děti. Obalové materiály uschovejte na bezpečném místě mimo dosah dětí. Obalové materiály výrobku jsou vyrobeny z recyklovatelných materiálů. Zlikvidujte je správně a tříděte je v souladu s pokyny pro likvidaci recyklovaného odpadu. Nelikvidujte je s běžným domácím odpadem.

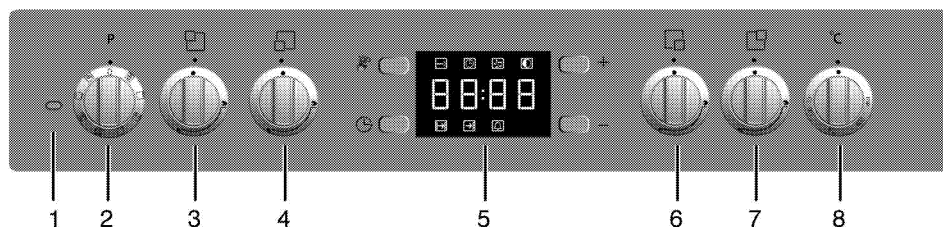


## 2 Obecné informace

### Přehled



- |   |                |    |  |
|---|----------------|----|--|
| 1 | Přední dveře   | 7  | Plotna                                 |
| 2 | Madlo          | 8  | Horní víko                             |
| 3 | Dolní zásuvka  | 9  | Pohon ventilátoru (za ocelovým plátem) |
| 4 | Plech          | 10 | Světlo                                 |
| 5 | Drátěná police | 11 | Prvek vyhřívání grilu                  |
| 6 | Ovládací panel | 12 | Polohy polic                           |



- |   |                            |   |                              |
|---|----------------------------|---|------------------------------|
| 1 | Světlo termostatu          | 5 | Digitální časovač            |
| 2 | Funkční spínač             | 6 | Přídavný hořák Vpředu vpravo |
| 3 | Normální hořák Vzadu vlevo | 7 | Normální hořák Vzadu vpravo  |
| 4 | Rychlý hořák Vpředu vlevo  | 8 | Spínač termostatu            |

## Obsah balení

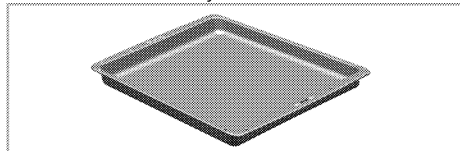


Dodávané příslušenství se může lišit podle modelu výrobku. Všechna příslušenství popisovaná v návodu k použití nemusejí být součástí vašeho výrobku.

### 1. Manuel d'utilisation

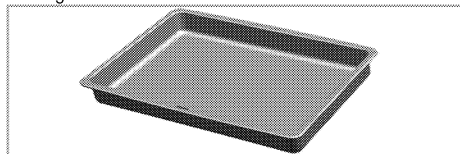
### 2. Plech do trouby

Používá se na cukroviny, mražené potraviny a velké rožněné kusy.



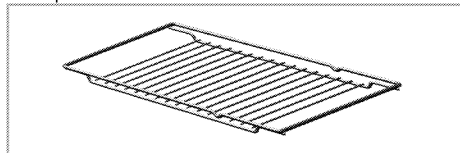
### 3. Hluboký plech

Slouží na cukroviny, velké rožněné kusy, pokrmy s vysokým obsahem tekutin a na sběr tuku při grilování.



### 4. Drátěná police

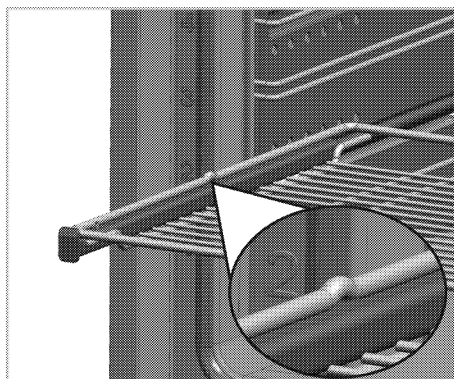
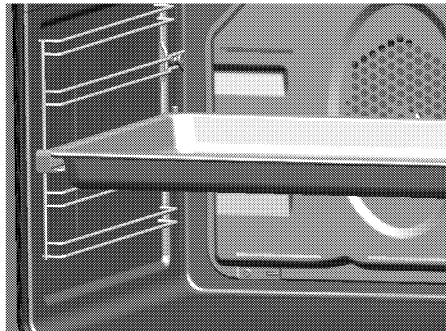
Slouží k rožnění a pokládání pečených, rožněných nebo v hrnci pečených pokrmů na požadované úrovni.



### 5. Správné umístění drátěné police a plechu na teleskopické přihrádky

Teleskopické přihrádky umožňují snadno vkládat a vyjmát plechy a drátěnou polici.

Při používání plechu a drátěné police s teleskopickými přihrádkami, zkontrolujte, zda jsou kolíky v zadní části stojanů na teleskopické přihrádky u okrajů drátěné police a plechu.




## Technické parametry


<b>OBECEŇ</b>	
Vnější rozměry (výška/šířka/hloubka)	850 mm/600 mm/600 mm
Napětí/frekvence	220-240 V ~ 50 Hz
Celková spotřeba energie	2.4 kW
Pojistka	min. 16 A
Typ kabelu / průřez	H05VV-FG 3 x 1,5 mm <sup>2</sup>
Kategorie plynového zařízení	Cat II 2H3+
Typ plynu / tlak	NG G 20/20 mbar
Celková spotřeba plynu	7.9 kW
Přeměna na typ plynu/tlak <sup>§</sup>	LPG G 30/28-30 mbar
– volitelné	Propan 31/37 mbar
<b>DESKA</b>	
<b>Hořáky</b>	
Vzadu vlevo	<b>Normální hořák</b>
Výkon	2 kW
Vpředu vlevo	<b>Rychlý hořák</b>
Výkon	2.9 kW
Vpředu vpravo	<b>Přídavný hořák</b>
Výkon	1kW
Vzadu vpravo	<b>Normální hořák</b>
Výkon	2 kW
<b>TROUBA/GRIL</b>	
Hlavní trouba	<b>Multifunkční trouba</b>
Vnitřní světlo	15–25 W
Spotřeba energie grilu	2.2 kW

<sup>#</sup> Základy: Informace na energetickém štítku elektrických trub jsou uvedeny v souladu s normou EN 60350-1 / IEC 60350-1. Tyto hodnoty jsou zjišťovány za standardního zatížení s horním-dolním ohřevem nebo horkovzdušným provozu (pokud existuje).


Třída energetické účinnosti je stanovena v souladu s následujícími prioritami podle toho, zda na výrobku existují příslušné funkce nebo ne. 1-Vaření s eko-ventilátorem, 2- Turbo pomalé pečení, 3- Turbo pečení, 4- Horní/dolní ohřev s ventilátorem, 5- Horní a dolní ohřev.



Technické parametry se mohou měnit bez předchozího upozornění za účelem zvyšování kvality výrobku.



Obrázky v tomto návodu jsou schematické a nemusí se shodovat s vaším výrobkem.



Hodnoty na štítcích výrobku nebo v doprovodné dokumentaci jsou zjišťovány v laboratorních podmínkách podle příslušných norem. Podle provozních a okolních podmínek výrobku se tyto hodnoty mohou měnit.

### Tabulka injektoru

Poloha oblasti varné desky Typ plynu / Tlak plynu	2 kW Vzadu vlevo	2.9 kW Vpředu vlevo	1kW Vpředu vpravo	2 kW Vzadu vpravo
	G 20/20 mbar	103	115	72
G 30/28-30 mbar	72	87	50	72
G 31/ 37 mbar	72	87	50	72

## 3 Montáž

Výrobek musí nainstalovat kvalifikovaná osoba v souladu s platnými předpisy. Jinak není možné uznat záruku. Výrobce neodpovídá za škody vzniklé při procesech prováděných neoprávněnými osobami, může dojít i k propadnutí záruky.

**i** Za přípravu místa a elektrické a plynové instalace výrobku odpovídá zákazník.



### NEBEZPEČÍ:

Výrobek musí být instalován v souladu se všemi místními a/nebo elektrickými vyhláškami.

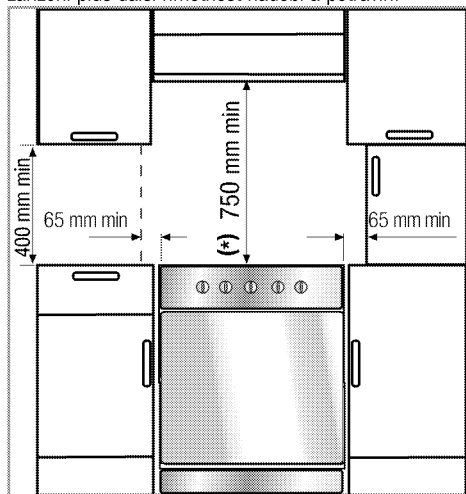


### NEBEZPEČÍ:

Před instalací zkontrolujte případné vady na výrobku. Pokud nějaké objevíte, neinstalujte jej. Poškozené výrobky mohou ohrozit vaši bezpečnost.

## Před montáží

Abyste zajistili přítomnost vzduchových průduchů pod produktem, doporučujeme upevnit výrobek na pevnou základnu s tím, že nožky by se neměly ponořovat do koberce ani měkkých podlahových krytin. Podlaha kuchyně musí být schopna unést hmotnost zařízení plus další hmotnost nádobí a potravin.



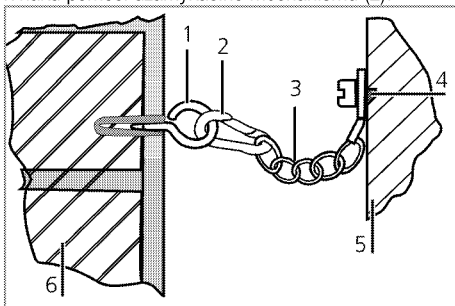
- Lze je používat se skříňemi po obou stranách, ale pro minimální vzdálenost 400 mm nad úroveň plotny počítejte s bočním odstupem 65 mm mezi spotřebičem a jakoukoli stěnou, příčkou nebo vysokou skříňí.

- Lze jej používat i jako samostatně stojící spotřebič. Nad povrchem desky je nutno počítat s minimální vzdáleností 750 mm.
- (\*) Pokud nad sporákem instalujete digestoř, upravte výšku instalace podle pokynů výrobce digestoře (min. 650 mm).
- Spotřebič odpovídá zařízením třídy 1, tj. lze jej umístit zadní a **jednou** stranou ke stěně kuchyně, kuchyňskému nábytku nebo zařízení libovolné velikosti. Kuchyňský nábytek nebo vybavení na **druhé** straně smí být pouze stejné velikosti nebo menší.
- Jakýkoli kuchyňský nábytek vedle spotřebiče musí být tepluvzdorný (do 100 °C min.).

## Bezpečnostní popruh

Spotřebič je nutno zajistit proti převážení pomocí dvou řetězů dodaných s troubou.

Hák (1) utáhněte pomocí správného čepu ke kuchyňské stěně (6) a bezpečnostní popruh (3) připojte k háku pomocí uzamykacího mechanismu (2).



- Stabilizační hák
- Uzamykací mechanismus
- Bezpečnostní popruh
- Upevněte popruh k zadní straně sporáku
- Zadní strana sporáku
- Stěna kuchyně



Stabilní řetěz, který je maximálně krátký a praktický a díky tomu se předchází překlapaní dopředu a do strany a posunutí trouby.

Stabilní řetěz pro vařiče není navržen s otvorem pro zapojení konzole.

## Ventilace místnosti

U všech místností musí být otevíratelné okno apod., u některých místností bude nutno použít trvalé odvětrání. Vzduch pro spalování je vtahován z místnosti a spalovací plyny jsou vypouštěny přímo do místnosti.

Pro bezpečné používání spotřebiče je nezbytná dobrá ventilace. Pokud nemáte k dispozici okno či dveře, je nutno instalovat náhradní ventilaci. Spotřebič lze umístit do kuchyně, kuchyně/jidelny nebo kuchyňského koutu v obytné místnosti, ne však do místnosti s vanou či sprchou. Spotřebič nesmí být instalován v obytné místnosti s plochou pod 20 m<sup>3</sup>. Neinstalujte tento spotřebič do místnosti pod úrovní země, pokud není otevřena na přízemní podlaží nejméně na jedné straně.

Velikost místnosti	Ventilační otvor
menší než 5 m <sup>3</sup>	min. 100 cm <sup>2</sup>
5 m <sup>3</sup> až 10 m <sup>3</sup>	min. 50 cm <sup>2</sup>
větší než 10 m <sup>3</sup> /den	není nutný
Ve sklepě či suterénu	min. 65 cm <sup>2</sup>

## Instalace a připojení

Přístroj lze instalovat a připojovat jen v souladu se zákonnými předpisy.



Neinstalujte přístroj vedle chladniček či mrazniček. Tepla vyzařované výrobkem zvýší spotřebu energie chladicích zařízení.

- Přístroj přenášejte nejméně ve dvou.
- Přístroj umístěte přímo na zem. Nesmí být na podstavci nebo základně.



Nepoužívejte dvířka nebo madlo k přenášení či přesouvání výrobku. Dvířka, madlo nebo závěsy se mohou poškodit.

## Elektrické zapojení

Zapojte výrobek do uzemněné zásuvky/vedení chráněné pojistkou o vhodné kapacitě podle tabulky "Technické parametry". Uzemnění musí zajistit kvalifikovaný elektrikář, pokud používáte výrobek s transformátorem nebo bez něj. Naše společnost neodpovídá za škody vzniklé z důvodu používání výrobku bez správného uzemnění v souladu s místními předpisy.



### NEBEZPEČÍ:

Výrobek smí připojit k napájení pouze autorizovaný a kvalifikovaný pracovník. Záruční lhůta výrobku začíná běžet až po řádné instalaci. Výrobce neodpovídá za škody vzniklé při procesech prováděných neoprávněnými osobami.



### NEBEZPEČÍ:

Napájecí kabel je nutno nepřiskřípnout, ohnout či zmáčknout, nesmí přijít do styku s horkými částmi zařízení.

Poškozený napájecí kabel musí vyměnit kvalifikovaný elektrikář. Jinak je zde nebezpečí zásahu elektrickým proudem, zkratu nebo požáru!

Údaje napájení musejí odpovídat údajům na typovém štítku přístroje. Štítek je přístupný při otevření dvířek nebo dolního krytu, případně se nachází na zadní stěně přístroje podle typu přístroje.

Napájecí kabel vašeho výrobku musí odpovídat hodnotám v tabulce "Technické parametry".



Zástrčka napájecího kabelu musí být snadno dosažitelná i po instalaci (nevedte ji nad varnou deskou).



### NEBEZPEČÍ:

Než zahájíte jakoukoli činnost na elektrické instalaci, odpojte výrobek od napájení. Hrozí riziko zásahu elektrickým proudem!

Zapojte napájecí kabel do zásuvky.

## Připojení plynu



### NEBEZPEČÍ:

Zařízení může být připojeno k systému dodávajícímu plyn pouze autorizovanou nebo kvalifikovanou osobou. Nebezpečí výbuchu nebo otrávení následkem neprofesionálních oprav! Výrobce neodpovídá za škody vzniklé při procesech prováděných neoprávněnými osobami.



### NEBEZPEČÍ:

Než zahájíte jakoukoli činnost na plynové instalaci, odpojte přívod plynu. Hrozí riziko výbuchu!

- Podmínky a hodnoty nastavení plynu jsou uvedeny na štítcích (nebo na typovém štítku).



Vaše zařízení je vybaveno přírodním plynem (NG).

- Instalaci zemního plynu je nutno připravit před instalací výrobku.
- Na výstupu instalace pro připojení zemního plynu k výrobku musí být pružná hadice a konec této hadice musí být uzavřen zátkou. Zástupce servisu zátku sejme při připojování a připojí váš přístroj pomocí rovného připojovacího zařízení (spoj).

- Zajistěte, aby byl ventil zemního plynu dobře dostupný.
- Pokud potřebujete použít spotřebiči později na jiný typ plynu, musíte kontaktovat autorizovaný servis za účelem příslušného postupu přeměny.



#### NEBEZPEČÍ:

Plynovou hadici je nutno nepřiskřípnout, ohnout či zmáčknout, nesmí přijít do styku s horkými částmi zařízení. Je zde nebezpečí výbuchu následkem poškozené plynové hadice.

- Zatlačte výrobek ke stěně kuchyně.
- **Nastavování nožek trouby**  
Vibrace během používání mohou vést k pohybům nádob. Těto nebezpečné situaci předejdete tím, když bude výrobek v rovině a vyvážený. Z bezpečnostních důvodů zkontrolujte vyváženost výrobku tak, že upravíte čtyři nožky vespod tak, že je otočíte doleva nebo doprava a zarovnáte podle pracovní desky.

#### Poslední kontrola

1. Zkontrolujte funkce elektriny.
2. Otevřete přívod plynu.
3. Zkontrolujte instalaci plynu kvůli správnému upevnění a těsnosti.
4. Zapalte hořáky a zkontrolujte vzhled plamene.



Plamen musí být modrý a musí mít pravidelný tvar. Pokud je plamen nažloutlý, zkontrolujte, zda je víčko hořáku bezpečně usazeno, nebo vyčistěte hořák.

#### Změna plynu



#### NEBEZPEČÍ:

Než zahájíte jakoukoli činnost na plynové instalaci, odpojte přívod plynu. Hrozí riziko výbuchu!

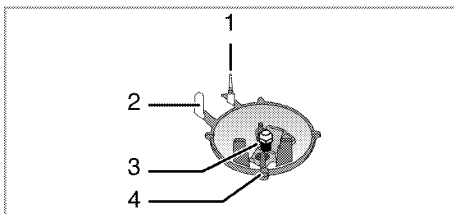
Chcete-li změnit typ plynu pro váš spotřebič, vyměňte všechny vstřikovače a upravte plamen všech ventilů v poloze nižšího průtoku.

#### Výměna vstřikovače hořáků

1. Sejměte víčko hořáku a tělo hořáku.
2. odšroubujte vstřikovače proti směru hodinových ručiček.
3. Nasaďte nové vstřikovače.
4. Zkontrolujte všechna spojení kvůli správnému upevnění a těsnosti.



Nové vstřikovače mají polohu vyznačenou na obalu nebo můžete postupovat podle tabulky vstřikovačů na *Tabulka injektoru, strana 11*.



- 1 Pojistka proti zhasnutí plamene (podle modelu)
- 2 Svíčka
- 3 Vstřikovač
- 4 Hořák



Pokud nedojde k abnormální situaci, nesnažte se sejmout kohouty plynových hořáků. Pokud je nutné vyměnit kohout, musíte kontaktovat autorizovaný servis.

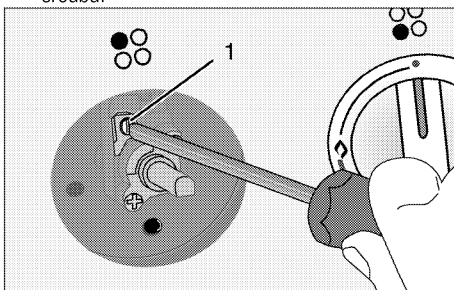
#### Nastavení sníženého průtoku plynu u kohoutů desky

1. Zapalte hořák, který chcete nastavit, a otočte tlačítko do polohy středního plamene.
2. Sejměte tlačítko z plynového kohoutu.
3. Použijte šroubovák vhodné velikosti k úpravě šroubu nastavení průtoku.

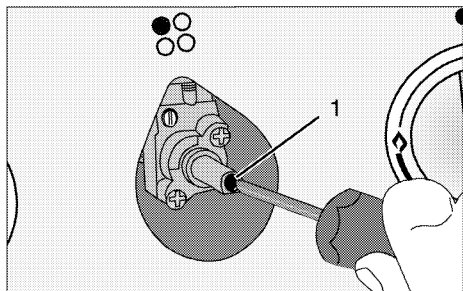
U LPG (propan-butan) otočte šroub doprava. U zemního plynu otočte šroub jednou **proti směru hodinových ručiček**.

» Normální délka rovného plamene ve snížené poloze by měla být 6-7 mm.

4. Pokud je plamen vyšší, než je požadovaná poloha, otočte šroub ve směru hodinových ručiček. Pokud je menší, otáčejte doleva.
5. V závislosti na použitém plynovém kohoutu ve vašem spotřebiči se může lišit poloha seřizovacího šroubu.



1 Šroub nastavení průtoku



1 Šroub nastavení průtoku

**i** Pokud se změní typ plynu přístroje, je nutno změnit i štítek, který udává typ plynu přístroje.

### Likvidace starého výrobku

- Uschovejte si originální karton od výrobku a přepravujte výrobek v něm. Dodržujte pokyny na kartonu. Pokud nemáte originální karton, zabalte výrobek do bublin nebo silného kartonu a pevně oblepte páskou.
- Aby drátěná police a plech v troubě nepoškodily dvířka trouby, umístěte pásku kartonu na vnitřek dveří trouby v částech, které odpovídají poloze plechů. Přilepte dvířka trouby k bočním stěnám.
- Zajistěte víčka a držáky pánví lepicí páskou.
- Nepoužívejte dvířka nebo madlo ke zvedání či přesouvání výrobku.

**i** Nevkládejte žádné předměty na výrobek a posouvejte jej ve svislé poloze.

**i** Zkontrolujte vzhled výrobku, zda neobsahuje škody, k nimž mohlo dojít při přepravě.

## 4 Příprava

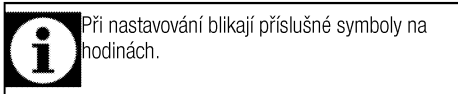
### Tipy pro úsporu energie

Následující informace vám pomohou používat zařízení ekologicky a ušetřit energii:

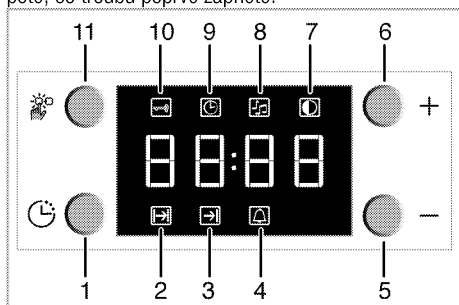
- Používejte tmavé a smaltované nádoby, přenos tepla pak bude lepší.
- Když připravujete pokrmy, provádějte předehřívání, pokud je doporučuje návod k použití nebo recept.
- Během pečení neotvírejte často dvířka trouby.
- Zkuste péct více než jeden pokrm v troubě současně, jakmile je to možné. Můžete vařit tak, že na drátěnou polici umístíte dvě nádoby.
- Pečte více než jeden pokrm za druhým. Trouba již bude horká.
- Energii ušetříte, pokud troubu vypnete pár minut před koncem doby pečení. Neotvírejte dvířka trouby.
- Zmražené potraviny před vařením rozmrazte.
- Používejte pánve/hrnce s víky na vaření. Pokud nemáte víko, spotřeba energie může vzrůst až čtyřnásobně.
- Zvolte hořák, který je vhodný pro rozměr dna hrnce. Vždy zvolte správný rozměr hrnce pro připravovaný pokrm. Větší hrnce vyžadují více energie.

### Úvodní použití

#### Nastavení času



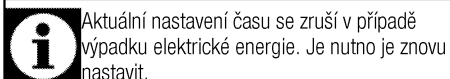
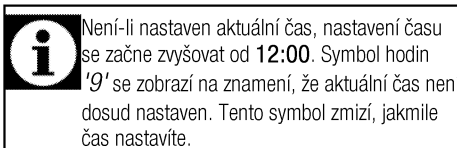
Stiskněte tlačítka "-" nebo "+" (5/6) a nastavte čas poté, co troubu poprvé zapnete.



- 1 Tlačítko programu
- 2 Symbol doby pečení
- 3 Symbol konce času pečení
- 4 Symbol Alarm

- 5 Tlačítko minus
- 6 Tlačítko plus
- 7 Nastavení jasu displeje
- 8 Hlasitost budíku
- 9 Aktuální čas
- 10 Symbol zámku
- 11 Tlačítko nastavení

Až nastavíte čas, můžete zahájit a ukončit vaření tím, že zvolíte požadovanou polohu tlačítkem teploty a funkčním tlačítkem.



#### Změna času dne

Chcete-li změnit čas, který jste nastavili dříve:

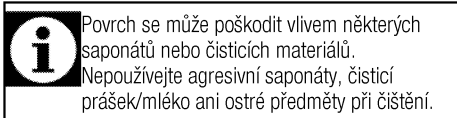
1. Stiskem tlačítka (11) aktivujte ikonu aktuálního času *G*.
2. Stiskněte tlačítka "-" nebo "+" (5/6) a nastavte aktuální čas.

#### Změna nastavení jasu displeje

1. Stiskem tlačítka (11) aktivujte symbol jasu displeje 7 pro nastavení jasu displeje.
2. Stiskněte tlačítka "-" nebo "+" (5/6) a nastavte požadovaný jas.

» Zvolená míra jasu se zobrazí jako **d-01**, **d-02** nebo **d-03** na displeji.

#### První čištění produktu



1. Sejměte všechny obaly.
2. Setřete povrch výrobku vlhkým hadříkem nebo houbičkou a osušte hadříkem.

#### Výchozí ohřev

Zahřívejte výrobek cca 30 minut, pak je vypněte. Tím dojde k odpálení a odstranění zbytků nebo vrstev z výroby.





### **VAROVÁNÍ!**

Horké povrchy způsobují popáleniny!  
Výrobek může být během používání horký.  
Nikdy se nedotýkejte horkých hořáků, vnitřních částí trouby, topných prvků atd. Udržujte děti mimo dosah.  
Vždy používejte tepluvzdorné rukavice při vkládání a vyjímání nádob z horké trouby.

### **Elektrická trouba**

1. Vyjměte všechny pečící plechy a drátěnou polici z trouby.
2. Zavřete dvířka trouby.
3. Zvolte statickou pozici.
4. Zvolte nejvyšší výkon grilu; viz *Používání elektrické trouby, strana 19*.
5. Zapněte troubu asi na 30 minut.
6. Vypněte troubu; viz *Používání elektrické trouby, strana 19*

### **Trouba s grilem**

1. Vyjměte všechny pečící plechy a drátěnou polici z trouby.
2. Zavřete dvířka trouby.
3. Zvolte nejvyšší výkon grilu; viz *Ovládání grilu, strana 24*.
4. Zapněte troubu asi na 30 minut.
5. Vypínání grilu; viz *Ovládání grilu, strana 24*



Při prvním použití se může na pár hodin uvolňovat kouř a zápach. To je normální. Zkontrolujte, zda je místnost řádně odvětrána, abyste odstranili kouř i zápach. Vyhněte se přímému vdechování kouře a zápachu.

## 5 Používání varné desky

### Obecné informace o vaření



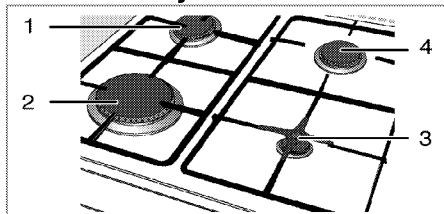
Nikdy nepiňte pánev olejem do více než jedné třetiny. Při nahřívání oleje nenechávejte varnou desku bez dozoru. Přehřátý olej znamená nebezpečí požáru. **Nikdy se nesnažte možný oheň uhasit vodou!** Když se olej vznítí, přikryjte jej požární dekou nebo vlhkým hadrem. Vypněte varnou desku, pokud je to bezpečné, a zavolejte hasiče.

- Potraviny před smažením pečlivě osušte a opatrně vložte do horkého oleje. Před smažením zkontrolujte, zda zmrazené potraviny zcela rozmrzly.
- Nezakrývejte nádobu, v níž zahříváte olej.
- Pánve a hrnce umístějte tak, aby jejich rukojeti nebyly nad varnou deskou a nemohlo dojít k jejich spálení. Na desku neumísťte nevyvážené a snadno překlápělné nádoby.
- Na zapnuté varné oblasti nepokládejte prázdné nádoby a hrnce. Mohly by se poškodit.
- Provoz varných oblastí naprázdno bez nádoby nebo hrnce může poškodit výrobek. Jakmile dovaříte, vypněte varné oblasti.
- Jelikož povrch výrobku může být horký, nepokládejte na něj plastové ani hliníkové nádoby. Takové nádoby by neměly být používány k uchování potravin.
- Používejte pouze hrnce a nádoby s plochým dnem.
- Do hrnců a pánví vkládejte přiměřené množství potravin. Takto nebudete muset provádět zbytečné čištění z důvodu přetečení. Nepokládejte poklice hrnců nebo pánví na varné oblasti. Pokládejte hrnce do středu varné oblasti. Pokud chcete hrnce posunout na jinou varnou oblast, zvedněte jej a postavte ho tam, neposunujte jím.

### Vaření s plynem

- Velikost nádoby musí odpovídat velikosti plamene. Upravte plamen tak, aby nepřesahoval dno nádoby a umístěte nádobu na držák hrnce.

### Používání varných desek



- 1 Normální hořák 18-20 cm
- 2 Rychlý hořák 22-24 cm
- 3 Přídavný hořák 12-18 cm
- 4 Normální hořák 18-20 cm je seznam doporučených průměrů pro hrnce nebo pánve na příslušné hořáky.

Velký symbol plamene označuje nejvyšší výkon vaření, malý symbol plamene odpovídá nejnižšímu výkonu vaření. Pokud otočíte do polohy vypnuto (nahoru), k hořákům neproudí plyn.

### Zapálení plynových hořáků

1. Tiskněte tlačítko hořáku.
2. Otáčejte jím proti směru hodinových ručiček k velkému symbolu plamene.

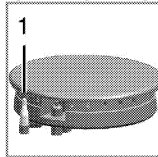
» Plyn zažehne vzniklá jiskra.

3. Nastavte požadovaný výkon.

### Vypínání plynových hořáků

Otočte tlačítkem pásma udržování teploty do polohy vypnuto (horní).

### Bezpečnostní systém uzávěru plynu ( u typů vybavených tepelnou součástí)



Jakmile dojde ke zhasnutí hořáků z důvodu přetečení, spustí se bezpečnostní systém a přeruší přívod plynu.

1. Bezpečnostní systém uzávěru plynu

- Stiskněte tlačítko směrem dovnitř a otočte jím proti směru hodinových ručiček a zapalte.
- Po zapálení plynu držte tlačítko ještě 3-5 sekund, aby se spustil bezpečnostní systém.
- Pokud se plyn nezapálil poté, co jste stiskli a pustili tlačítko, postup opakujte a tiskněte tlačítko po dobu 15 sekund.



### NEBEZPEČÍ:

Uvolněte tlačítko, pokud není hořák zapálen během 15 vteřin. Před dalším pokusem počkejte nejméně 1 minutu. Hrozí riziko nahromadění plynu a výbuchu!

## 6 Obsluha trouby

### Obecné informace pro pečení, rožnění a grilování



#### VAROVÁNÍ!

Horké povrchy způsobují popáleniny! Výrobek může být během používání horký. Nikdy se nedotýkejte horkých hořáků, vnitřních částí trouby, topných prvků atd. Udržujte děti mimo dosah. Vždy používejte tepluvzdorné rukavice při vkládání a vyjímání nádob z horké trouby.



#### NEBEZPEČÍ:

Dávejte pozor při otevírání dvířek trouby, může unikat pára. Únik páry vám může opařit ruce, obličej a/nebo oči.

#### Tipy pro pečení

- Používejte nepřílnavé kovové plechy nebo hliníkové nádoby nebo tepluvzdorné silikonové formy.
- Co nejlépe využijte místo na polici.
- Pečící formu vkládejte doprostřed přihrádky.
- Zvolte správnou pozici přihrádky, než troubu nebo gril zapnete. Neměňte pozici přihrádky, když je trouba horká.
- Udržujte dvířka trouby zavřená.

#### Tipy na rožnění

- Pokud na celé kuře, krocana a velké kusy masa naneseš např. citronovou šťávu a černý pepř před pečením, zvýšíš účinnost pečení.
- Rožnění masa s kostí trvá asi o 15 až 30 minut déle než masa stejné velikosti bez kostí.
- Každý centimetr tloušťky masa vyžaduje asi 4 až 5 minut pečení.
- Maso nechte v troubě ještě cca 10 minut po době pečení. Štávy se pak lépe rozmístí po celém kusu masa a nevytékají při naříznutí.
- Ryby kladte na střední nebo dolní přihrádku do záruvzdorného plechu.

#### Tipy na grilování

Když grilujete maso, ryby a drůbež, rychle zhnědnou, mají pěknou kůrku a nevysušují se. Ploché kusy, rožněné maso a klobásy jsou pro grilování zvláště vhodné, což platí i pro zeleninu s vysokým obsahem vody, jako jsou rajčata a cibule.

- Pokrmy ke grilování rozmístěte na drátěnou mřížku nebo do plechu s drátěnou mřížkou tak, aby pokrytá plocha nepřekračovala rozměry ohřevu.

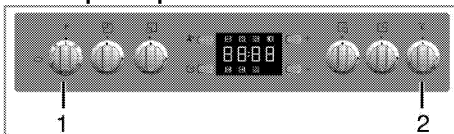
- Posuňte drátěnou mřížku nebo plech s grilem na požadovanou úroveň v troubě. Pokud grilujete na drátěné mřížce, posuňte na dolní přihrádku pečící plech pro zachytávání tuku. Do tohoto plechu nalijte trochu vody pro snadnější čištění.



Potraviny, které nejsou vhodné ke grilování, představují nebezpečí požáru. Používejte na grilování jen ty potraviny, které jsou vhodné pro intenzivní žár grilu. Neumísťujte potraviny příliš daleko dozadu grilu. Je to nejteplejší část a mastné potraviny se mohou vznítit.

### Používání elektrické trouby

#### Zvolte teplotu a provozní režim



- 1 Funkční spínač
- 2 Spínač termostatu

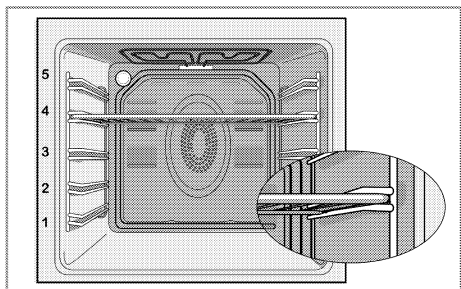
1. Nastavte funkční tlačítko na požadovaný provozní režim.
2. Nastavte tlačítko teploty na požadovanou teplotu. » Trouba se zahřeje na nastavenou teplotu a udržuje ji. Při hazířování zůstane svítit kontrolka teploty.

#### Vypněte elektrickou troubu

Přepněte funkční tlačítko a tlačítko teploty do polohy vypnout (nahorě).

#### Polohy přihrádek (pro modely s drátěnou mřížkou)

Je nezbytné umístit drátěnou mřížku správně na přihrádku. Drátěnou mřížku je nutné zasunout mezi přihrádky podle obrázku. Nenechte drátěnou mřížku stát opřenou o zadní stěnu trouby. Drátěnou mřížku posuňte do přední části police a vyrovnejte pomocí dvířek, abyste dosáhli ideálního výkonu grilu.



### Provozní režimy

Pořadí provozních režimů uvedené zde se může lišit od výbavy vašeho přístroje.

#### Horní a dolní ohřev



Horní a dolní ohřev jsou zapnuté. Potraviny se zahřívají současně shora i zdola. Vhodné např. pro koláče, sušenky či koláčky a rendlíky v pečících formách. Používejte vždy jen jeden plech.

#### Dolní ohřev



Pracuje jen spodní ohřev. Je to vhodné pro pizzu a následné opečení potravin zespodu.

#### Dolní/horní ohřev s pomocí ventilátoru



Horní ohřev, dolní ohřev s ventilátorem (v zadní stěně) jsou zapnuté. Ventilátor rychle a rovnoměrně rozvádí horký vzduch v troubě. Používejte vždy jen jeden plech.

#### Funkce s ventilátorem



Trouba se nezahřívá. Funguje pouze ventilátor (v zadní stěně). Zmražené potraviny se rozmrazuje pomalu při pokojové teplotě, upečené potraviny se ochladí.

### Ohřev s ventilátorem



Funguje ohřev s ventilátorem (v zadní stěně). Ventilátor rychle a rovnoměrně rozvádí horký vzduch v troubě. Ve většině případů není předehřívání nutné. Vhodné pro pečení vašich pokrmů na různých úrovních přihrádek. Vhodné pro použití více plechů.

### Funkce "3D"



Horní ohřev, dolní ohřev a ohřev s ventilátorem (v zadní stěně) jsou zapnuté. Pokrm je rovnoměrně a rychle upečen ze všech stran. Používejte vždy jen jeden plech.

### Plný gril



Je zapnutý velký gril ve stropu trouby. Hodí se na grilování velkého množství masa.

- Vložte velké nebo středně velké části na správnou polici pod gril pro grilování.
- Nastavte teplotu na maximum.
- V polovině doby grilování potraviny otočte.

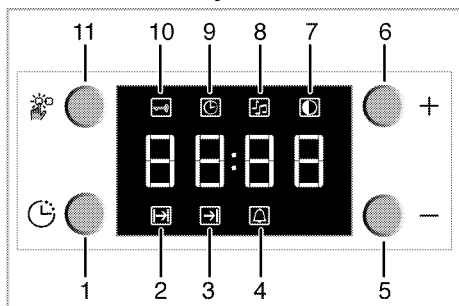
### Gril + ventilátor







Grilování není tak výkonné jako u plného grilu

- Vložte malé nebo středně velké části na správnou polici pod gril pro grilování.
- Nastavte požadovanou teplotu.
- V polovině doby grilování potraviny otočte.

## Používání hodin trouby



- 1 Tlačítko programu
- 2 Symbol doby pečení
- 3 Symbol konce času pečení
- 4 Symbol Alarm
- 5 Tlačítko minus
- 6 Tlačítko plus
- 7 Nastavení jasu displeje
- 8 Hlasitost budíku
- 9 Aktuální čas
- 10 Symbol zámku
- 11 Tlačítko nastavení

	Maximální čas pro nastavení konce vaření je 5 hodin a 59 minut. Program se zruší v případě výpadku energie. Troubu pak musíte znovu naprogramovat.
	Při nastavování blikají příslušné symboly na displeji. Musíte chvíli počkat, než nastavení bude účinné.
	Není-li nastaveno žádné pečení, nelze nastavit aktuální čas.
	Čas pečení se zobrazí, jakmile se spustí pečení.

### Pečení s určením doby pečení:

Můžete nastavit troubu tak, že se vypne na konci určené doby, nastavením doby pečení na hodinách.

1. Chcete-li nastavit čas pečení, stiskněte tlačítko programu (1) a aktivujte symbol času pečení (2).
2. Stiskněte tlačítka '-' / '+' (5/6) pro nastavení doby pečení.

» Po nastavení doby pečení se trvale zobrazí symbol pečení.


### Chcete-li nastavit konec doby pečení na pozdější čas:

Po nastavení doby pečení na hodinách můžete nastavit konec doby pečení na pozdější čas.

1. Chcete-li nastavit čas pečení, stiskněte tlačítko programu (1) a aktivujte symbol času pečení (2).
2. Upravte čas pečení tlačítky minus (5) a plus (6).  
» Symbol času pečení (4) zůstane svítit (trvale zobrazen) po nastavení času pečení.
3. Chcete-li nastavit čas konce pečení, stiskněte tlačítko programu (1) a aktivujte symbol času pečení (3).
4. Stiskněte tlačítka - (5) nebo + (6) a nastavte čas konce pečení.

» Jakmile nastavíte konec doby pečení, symbol konce pečení a symbol pečení budou svítit trvale. Symbol konce doby pečení (3) zmizí, jakmile se zahájí pečení.

5. Vložte pokrm do trouby.
6. Zvolte teplotu a provozní režim.  
» Časovač trouby automaticky vypočítá čas spuštění vaření pomocí času konce vaření, který jste nastavili, a délky vaření. Zvolený provozní režim se aktivuje, jakmile nastane čas spuštění vaření, trouba se zahřeje na nastavenou teplotu. Udrží tuto teplotu až do konce času vaření.
7. Až skončí proces pečení, na displeji se zobrazí "End" (Konec) a ozve se zvuk budíku.
8. Signál budíku zní 2 minuty. Signál budíku zastavíte stiskem libovolného tlačítka. Budík se ztlumí a zobrazí se aktuální čas.

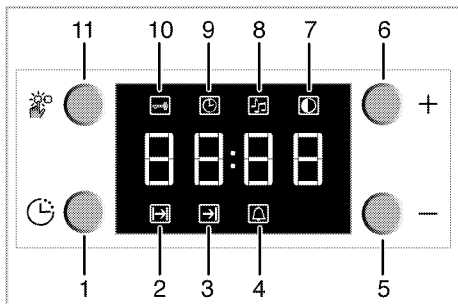
	Pokud stiskem libovolného tlačítka ztlumíte alarm, trouba se znovu zapne. Pokud stisknete libovolné tlačítko na konci doby alarmu, trouba se znovu zapne.
---	--

9. Vypněte troubu tlačítkem teploty a/nebo funkčním tlačítkem.

### Použití zámku

#### Aktivace zámku

Můžete zabránit používání trouby aktivací funkce zámku.



- 1 Tlačítko programu
- 2 Symbol doby pečení
- 3 Symbol konce času pečení
- 4 Symbol Alarm
- 5 Tlačítko minus
- 6 Tlačítko plus
- 7 Nastavení jasu displeje
- 8 Hlasitost budíku
- 9 Aktuální čas
- 10 Symbol zámku
- 11 Tlačítko nastavení

1. Stiskem tlačítka (11) aktivujete symbol zámku (10).
  - » Na displeji se zobrazí "Vypnout".
2. Stiskem tlačítka '+' (6) aktivujete zámek.
  - » Jakmile je zámek aktivován, zobrazí se na displeji "Zapnout" a symbol zámku (10) zůstane svítit.



Když je funkce zámku aktivována, tlačítka ovládacího panelu mimo tlačítka (11) nelze používat.

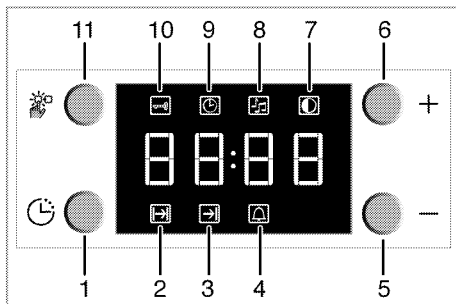
### Deaktivace zámku

1. Stiskem tlačítka nastavení (11) aktivujete symbol zámku (10).
  - » Na displeji se zobrazí "Zapnout".
2. Stiskem tlačítka '-' (5) aktivujete zámek.
  - » "OFF" (VYPNOUT) se zobrazí pro vypnutí zámku.

### Používání hodin jako budíku

Hodiny na přístroji můžete používat k upozornění nebo připomenutí i mimo pečení.

Budík nemá žádný vliv na funkce trouby. Používá se jako upozornění. Například to může být užitečné, chcete-li pokrm v troubě v určité chvíli obrátit. Budík vydá signál, jakmile uplyne nastavená doba.



- 1 Tlačítko programu
- 2 Symbol doby pečení
- 3 Symbol konce času pečení
- 4 Symbol Alarm
- 5 Tlačítko minus
- 6 Tlačítko plus
- 7 Nastavení jasu displeje
- 8 Hlasitost budíku
- 9 Aktuální čas
- 10 Symbol zámku
- 11 Tlačítko nastavení

### Nastavení budíku

1. Stiskem tlačítka programu (1) aktivujete symbol času alarmu (4).



Maximální doba budíku může být 23 hodin a 59 minut.

2. Upravte čas budíku tlačítky '-' / '+' (5/6).
  - » Symbol budíku bude svítit a čas budíku se zobrazí na displeji, jakmile je nastaven čas budíku.
3. Na konci času budíku začne blikat symbol času budíku (4) a ozve se signál budíku.

### Vypínání alarmu

1. Budík zastavíte stiskem libovolného tlačítka.
  - » Budík se ztlumí a zobrazí se aktuální čas.

### Pokud chcete budík zrušit:

1. Pro vynulování času budíku stiskněte tlačítko programu (1) pro aktivaci symbolu budíku (4).
2. Stiskněte a podržte tlačítko '-' (5), dokud se nezobrazí "00:00".



Zobrazí se čas budíku. Pokud je čas budíku a čas vaření nastaven současně, zobrazí se kratší čas.

### Změna tónu budíku

1. Stiskem tlačítka nastavení (11) aktivujete symbol tónu alarmu (8).
  - » Zvolený tón budíku se zobrazí na displeji jako "b-01", "b-02" nebo "b-03".

## Tabulka časů vaření



Časy v této tabulce jsou míněny jako průvodce. Časy se mohou lišit v závislosti na teplotě potravin, tloušťce, typu a vašich vlastních preferencích vaření.

## Pečení a rožnění



1. police v troubě je spodní police.

Nádoba	Číslo úroveň pečení		Poloha přihrádky	Teplota (°C)	Čas pečení (cca min.)
Koláče na plechu*	Jedna úroveň		4	175	30 ... 35
Koláč ve formě*	Jedna úroveň		2	180	40 ... 50
Koláče v pečicím papíru*	Jedna úroveň		3	175	25 ... 30
	2 úrovně		1 - 5	175	30 ... 40
	3 úrovně		1 - 3 - 5	180	45 ... 55
Piškotový koláč	Jedna úroveň		3	200	5 ... 10
	2 úrovně		1 - 5	175	18 ... 25
Sušenky*	Jedna úroveň		3	175	20 ... 25
	2 úrovně		1 - 5	175	25 ... 30
	3 úrovně		1 - 3 - 5	175	30 ... 40
Kynuté pečivo*	Jedna úroveň		2	200	30 ... 40
	2 úrovně		1 - 5	200	45 ... 55
	3 úrovně		1 - 3 - 5	200	55 ... 65
Hutné pečivo*	Jedna úroveň		2	200	25 ... 35
	2 úrovně		1 - 5	200	30 ... 40
	3 úrovně		1 - 3 - 5	190	40 ... 50
Kynuté*	Jedna úroveň		2	200	35 ... 45
	2 úrovně		1 - 3	200	35 ... 45
Lasagne*	Jedna úroveň		2 - 3	200	30 ... 40
Pizza*	Jedna úroveň		2	200 ... 220	15 ... 20
Hovězí steak (celý) / Rožnění	Jedna úroveň		3	25 min. 250/max. pak 180 190	100 ... 120
Jehněčí kyta (v hrnci)	Jedna úroveň		3	25 min. 250/max. pak 190	70 ... 90
Rožněné kuře	Jedna úroveň		2	15 min. 250/max. pak 180 190	65 ... 70
	Jedna úroveň		2	15 min. 250/max. pak 180 190	55 ... 65
Krůta (5,5 kg)	Jedna úroveň		2	25 min. 250/max. pak 180 190	150 ... 210
	Jedna úroveň		2	25 min. 250/max. pak 180 190	150 ... 210
Ryba	Jedna úroveň		3	200	20 ... 30
	Jedna úroveň		3	200	20 ... 30

Když pečete se 2 plechy najednou, umístěte hluboký plech na horní polici a druhý plech na dolní polici.

\* Doporučujeme provádět předehřívání u všech potravin.


(\*\*) Při pečení s nutným předehříváním předehřívajte na začátku pečení, dokud nezhasne kontrolka termostatu.

### Tipy pro pečení

- pokud je koláč příliš suchý, zvýšte teplotu o cca 10 a zkratěte dobu pečení.
- Pokud je koláč vlhký, použijte méně tekutiny a snižte teplotu o 10°C.
- Pokud je koláč na povrchu příliš tmavý, položte ho na nižší polici, snižte teplotu a prodlužte dobu pečení.
- Pokud je dobře pečen uvnitř, ale lepkavý na povrchu, použijte méně tekutiny, snižte teplotu a prodlužte dobu pečení.

### Tipy pro pečení pečiva

- Pokud je pečivo příliš suché, zvýšte teplotu o cca 10 a zkratěte dobu pečení. Navlhčete vrstvy těsta omáčkou z mléka, oleje, vajec a jogurtu.
- Pokud se pečivo peče příliš dlouho, dávejte pozor, aby tloušťka těsta nepřesáhla hloubku plechu.
- Pokud je povrch pečiva tmavě, ale spodní část není pečená, zkontrolujte, zda množství omáčky, kterou jste použili, není na spodní straně pečiva příliš velké. Snažte se rozprostřít omáčku rovnoměrně mezi vrstvy těsta a na ně pro rovnoměrné zbarvení.

 Pečivo pečte v souladu s režimem a teplotou uvedenými v tabulce pečení. Pokud spodní část stále není dostatečně zbarvená, umístěte je příště o jednu úroveň níže.

### Tipy na pečení zeleniny

- Pokud zeleninové jídlo ztrácí šťávu a začíná být vysušené, vařte ho v pánvi s poklicí místo na plechu. v uzavřených nádobách jídlo zůstane šťavnaté.
- Pokud se zeleninové jídlo nemůže dovařit, uvařte zeleninu nebo ji připravte jako konzervované jídlo a pak ji dejte do trouby.

### Ovládání grilu

 **VAROVÁNÍ!**  
Zavírejte dvířka trouby během grilování.  
Horké povrchy mohou způsobovat popáleniny!

### Zapínání grilu

1. Nastavte funkční tlačítko na požadovaný symbol grilu.
2. Pak zvolte požadovanou teplotu grilování.
3. Podle potřeby přehřejte asi 5 minut.  
» Kontrolka teploty se rozsvítí.

### Vypínání grilu

1. Otočte funkčním tlačítkem do polohy vypnout (nahore).



Potraviny, které nejsou vhodné ke grilování, představují nebezpečí požáru. Používejte na grilování jen ty potraviny, které jsou vhodné pro intenzivní žár grilu.  
Neumísťujte potraviny příliš daleko dozadu grilu. Je to nejteplejší část a mastné potraviny se mohou vznítit.

### Tabulka časů pečení pro grilování

#### Grilování s elektrickým grilem

Potraviny	Úroveň zasunutí	Čas grilování (přibl.)
Ryba	4..5	20..25 min. #
Krájené kuře	4..5	25..35 min.
Kousky jehněčího	4..5	20..25 min.
Roastbeef	4..5	25..30 min. #
Kousky telecího	4..5	25..30 min. #
Toastový chléb	4	1..2 min.


# podle tloušťky




## 7 Údržba a péče


### Obecné informace

Životnost výrobku se prodlouží a případné problémy se omezí, pokud je výrobek pravidelně čištěn.

 **NEBEZPEČÍ:**  
Odpojte zařízení od napájení, než začnete s údržbou a čištěním.  
Hrozí riziko zásahu elektrickým proudem!

 **NEBEZPEČÍ:**  
Před čištěním nechte přístroj vychladnout.  
Horké povrchy mohou způsobovat popáleniny!

- Výrobek po každém použití pečlivě vyčistěte. Takto snadněji odstraníte nečistoty z pečení, které se takto nebudou při příštím použití přístroje dále připalovat.
- Pro čištění přístroje nejsou potřeba žádná zvláštní čisticí prostředky. Výrobek omyjte vodou s mycím přípravkem a hadříkem nebo houbou a osušte ji suchým hadrem.
- Vždy zkontrolujte, zda byla jakákoli zbylá kapalina po čištění pečlivě otřena a a případná vylitá kapalina vysušena.
- K čištění nerezových ploch a rukojetí nepoužívejte čisticí prostředky obsahující kyselinu nebo chlorid. K očištění těchto částí použijte měkký hadřík s tekutým rozpouštědlem (ne brusným) a dávejte pozor, abyste čistili jedním směrem.
- K čištění skleněného krytu nepoužívejte žádné kovové škrabky nebo brusné čisticí materiály. Povrch skla by se mohl poškodit.

 Povrch se může poškodit vlivem některých saponátů nebo čisticích materiálů.  
Nepoužívejte agresivní saponáty, čisticí prášek/mléko ani ostré předměty při čištění.

 Na čištění spotřebiče nepoužívejte parní čističe, mohlo by dojít k zásahu elektrickým proudem.


### Čištění varné desky.

#### Plynové varné desky

1. Sejměte a vyčistěte držáky hrnců a víčka hořáků.
2. Vyčistěte varnou desku.
3. Nasadte zpět víčka hořáků a zkontrolujte, zda sedí správně na svém místě.
4. Při umísťování vrchních mřížek věnujte pozornost správnému umístění držáků hrnců, aby hořáky byly uprostřed.

### Čištění ovládacího panelu

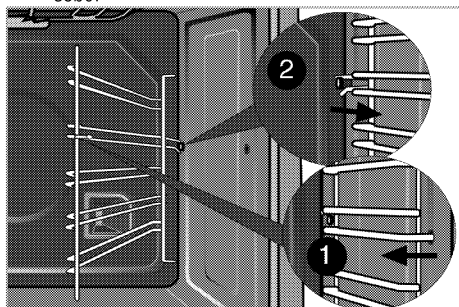
Vyčistěte ovládací panel a tlačítka vlhkým hadříkem a otřete je do sucha.

 Při čištění ovládacího panelu nesnímejte tlačítka/ovladače.  
Ovládací panel by se mohl poškodit.

### Čištění trouby


#### Čištění boční stěny

1. Sejměte přední stranu boční police tak, že ji zatáhnete v opačném směru od boční stěny.
2. Vyjměte boční polici zcela tím, že ji přitáhnete k sobě.



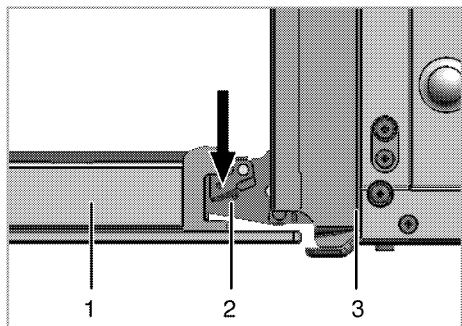
#### Čištění dvířek trouby

Chcete-li vyčistit dvířka trouby, použijte teplou vodu se saponátem, měkký hadřík nebo houbičku a vyčistěte výrobek, pak jej otřete suchým hadříkem.

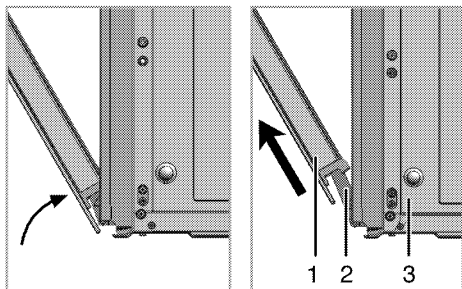
 K čištění dvířek trouby nepoužívejte žádná hrubá brusná čisticí ani drátěnky. Mohou poškrábat povrch a poškodit sklo.

#### Odstranění dvířka trouby.

1. Otevřete přední dvířka (1).
2. Otevřete svorky v krytu pantu (2) na pravé a levé straně předních dveří tím, že zatlačíte dle znázornění na obrázku.



- 1 Přední dveře
- 2 Závěs
- 3 trouba



- 3. Posuňte přední dveře na půl cesty.
- 4. Demontujte přední dvířka tak, že je zatlačíte nahoru, pokud je chcete uvolnit z pravého a levého závěsu.

**i** Při instalaci dvířek postupujte podle stejných kroků jako při jejich odstranění, jen v obráceném pořadí. Nezapomeňte zavřít svorky u krytu závěsu při opětovné montáži dveří.

## Výměna vnitřní žárovky



### NEBEZPEČÍ:

Před výměnou žárovky trouby zkontrolujte, zda je výrobek odpojen a vychladl, aby nedošlo k úrazu elektrickým proudem.  
Horké povrchy mohou způsobovat popáleniny!



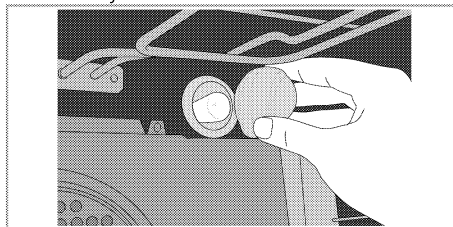
Žárovka je zvláštní typ, který odolává teplotám do 300 °C. Podrobnosti najdete v *Technické parametry, strana 10*. Žárovky v troubě získáte od autorizovaného servisního pracovníka.



Poloha žárovky se může lišit oproti obrázku.

### Pokud je vaše trouba vybavena kulatou žárovkou:

1. Odpojte výrobek na napájení.
2. Sejměte skleněný kryt otočením proti směru hodinových ručiček.



3. Sejměte světlo trouby proti směru hodinových ručiček a vyměňte za nové.
4. Nainstalujte skleněný kryt.

## 8 Odstraňování potíží

### Z trouby za provozu vychází pára.

- Je normální, že při provozu uniká pára. >>> *Nejde o závadu.*

### Při zahřívání a ochlazování výrobek vydává kovový zvuk.

- Když se zahřejí kovové součástky, mohou se rozpinat a způsobovat hluk. >>> *Nejde o závadu.*

### Výrobek nehřeje.

- Hlavní pojistka je vadná nebo uvolněná. >>> *Zkontrolujte pojistky v pojistkové skříni. Pokud je to nutné, vyměňte je nebo znovu aktivujte.*
- Výrobek není zapojen do (uzemněné) zásuvky. >>> *Zkontrolujte zapojení zástrčky.*
- Knoflíky/otočné regulátory/tlačítka na ovládacím panelu nefungují. >>> *Může být zapnutý zámek tlačítek. Vypněte jej prosím. (Viz Použití zámku, strana 21)*

### Světlo trouby nefunguje.

- Je vadná žárovka v troubě. >>> *Vyměňte žárovku v troubě.*
- Elektrina je odpojená. >>> *Zkontrolujte, zda je připojená elektrina. Zkontrolujte pojistky v pojistkové skříni. Pokud je to nutné, vyměňte je nebo znovu aktivujte.*

### Trouba nehřeje.

- Funkce anebo Teplota nejsou nastavené. >>> *Nastavte funkci a teplotu tlačítkem Funkce anebo Teplota.*
- V typech vybavených časovačem není nastaven časovač. >>> *Nastavte čas. (U výrobků s mikrovlnnou troubou časovač řídí pouze mikrovlnnou troubu.)*
- Elektrina je odpojená. >>> *Zkontrolujte, zda je připojená elektrina. Zkontrolujte pojistky v pojistkové skříni. Pokud je to nutné, vyměňte je nebo znovu aktivujte.*

### Chybí zapalovací jiskra.

- Není proud. >>> *Zkontrolujte pojistky v pojistkové skříni.*
- Čas není nastaven. >>> *Nastavte čas.*

### Není plyn.

- Je uzavřený hlavní přívod plynu. >>> *Otevřete přívod plynu.*
- Plynová trubka je ohnutá. >>> *Nainstalujte plynovou trubku správně.*

### Hořáky nehoří správně nebo vůbec.

- Hořáky jsou špinavé. >>> *Vyčistěte součásti hořáku.*
- Hořáky jsou vlhké. >>> *Osušte součásti hořáku.*
- Víčko hořáku není namontováno bezpečně. >>> *Namontujte víčko hořáku bezpečně.*
- Je uzavřený přívod plynu. >>> *Otevřete přívod plynu.*
- Plynová bomba je prázdná (při používání LPG). >>> *Vyměňte plynovou bombu.*

### (V typech s časovačem) Displej hodin bliká nebo svítí symbol hodin.

- Došlo k výpadku energie. >>> *Nastavte čas/Přístroj vypněte a znovu zapněte.*



Pokud nemůžete odstranit poruchu ani poté, co jste postupovali podle pokynů obsažených v této části, obraťte se na autorizovaného servisního pracovníka nebo prodejce, u něhož jste výrobek zakoupili. Nikdy se nepokoušejte opravovat vadný výrobek sami.

## ZÁKAZNICKÉ CENTRUM BEKO

BEKO Spolka Akcyjna, org. sl. Lužná 716/2, 160 00 Praha 6 – Vokovice

7 dní v týdnu od 8:00 do 18:00

pomůže vyřešit záruční, případně pozáruční opravy výrobků BEKO

kontakt	220 105 371
	800 350 333
e-mail	zakaznickecentrum@bekosa.cz
Objednávka opravy spotřebiče online	<a href="http://www.bekocr.cz">www.bekocr.cz</a>
5 LET ZÁRUKY – podmínky a registrace online	<a href="http://www.bekocr.cz">www.bekocr.cz</a>

### ZÁRUČNÍ PODMÍNKY ČR

a) Platný a čitelný prodejní doklad, který obsahuje datum prodeje, model spotřebiče a označení prodejce opravňuje uživatele využít záruku na výrobek v souladu s ustanoveními Občanského zákoníku, v platném znění.

b) Není-li stanoveno jinak, je záruční doba na výrobek 24 měsíců. Začíná plynout ode dne převzetí věci kupujícím výjma případu, kdy je nutné uvedení do provozu oprávněnou firmou. V tom případě začne záruční doba plynout ode dne uvedení výrobku do provozu.

Výrobky vyžadující odborné zapojení: plynové a kombinované sporáky a varné desky, dále všechny spotřebiče, které nejsou vybaveny přívodním elektrickým kabelem zakončeným vidlicí. Zapojení spotřebiče je službou hrazenou zákazníkem. Dovozece nezodpovídá za poškození vzniklé chybnou instalací a chybným zapojením výrobku.

c) Záruka vyplývající z těchto záručních podmínek může být uplatněna pouze na území České republiky a týká se pouze a výhradně spotřebičů dovezených do ČR prostřednictvím naší společnosti, BEKO Spolka Akcyjna, org. sl. Lužná 716/2, 160 00 Praha 6 – Vokovice, která je oficiálním zastoupením značky BEKO pro Českou republiku.

d) Záruka je poskytována kupujícímu (konečnému spotřebiteli) v souladu se zákonem č. 634/1992 Sb., o ochraně spotřebitele v platném znění, na výrobek sloužící běžnému používání v domácnosti. Výrobek není určen k průmyslovému použití a poskytování služeb. Spotřebiče, které nejsou používány v domácnosti, nejsou předmětem záruky (hotelová a restaurační zařízení, školská zařízení, úklidové firmy, atd...)

e) Práva ze zodpovědnosti za vady výrobku se uplatňují u prodávajícího. Záruční oprava se vztahuje výhradně na závady, které vzniknou v době platnosti záruční lhůty a to výrobní vadou. Takto vzniklé závady je oprávněn odstranit pouze autorizovaný servis.

O odstranění vad výrobku v záruční lhůtě je kupující oprávněn požádat prodejce nebo Zákaznické centrum BEKO tel: 220 105 371 (800 350 333) [http://www.bekocr.cz/oprava\\_spotrebice](http://www.bekocr.cz/oprava_spotrebice).

f) Zákazník musí při objednání opravy nahlásit datum prodeje, model spotřebiče, výrobní a produktové číslo, které se nachází na výrobním štítku každého spotřebiče. Bez nahlášení těchto údajů nebude moci být požadavek zákazníka na bezplatnou opravu vyřešen. Zákazník je také dále povinen poskytnout autorizovanému servisu součinnost potřebnou k ověření existence případně odstranění reklamované vady.

g) Při návštěvě servisního technika kupující prokáže existenci záruky předložením čitelného prodejního dokladu nebo certifikátu 5 let záruky BEKO. Po provedení záruční opravy jsou autorizovaná servisní střediska nebo prodávající povinni vydat kupujícímu čitelnou kopii opravního listu nebo doklad o uplatnění práva záruky a době trvání opravy. Po dobu záruky je kupující povinen uschovávat veškeré doklady související s koupí a servisem výrobku. Opravní list slouží k prokázání práv kupujícího, proto je ve vlastním zájmu kupujícího si zkontrolovat před podpisem veškeré údaje. Záruční lhůta se v případech, kdy závada znemožnila používání výrobku, prodlužuje o dobu, kdy kupující uplatnil nárok na záruční opravu u autorizovaného střediska až do dne převzetí opraveného výrobku.

h) Výrobek musí být instalován a provozován podle návodu k obsluze a platných norem. Funkce chladniček, mrazniček a jiných kombinací je zaručena při okolní teplotě od +10°C do +32°C.

i) Touto zárukou nejsou dotčena práva kupujícího, která se ke koupi věci váží podle zvláštních právních předpisů.

j) Společnost BEKO Spolka Akcyjna, org. sl. Lužná 716/2, 160 00 Praha 6 – Vokovice nabízí spotřebitelům na vybrané modely prodlouženou záruku vcelkové délce trvání 5 let. Předmětem této nadstandardní záruky je bezplatné odstraňování výrobních vad po dobu následujících 36 měsíců od skončení zákonné dvouleté záruční lhůty. Podmínkou získání certifikátu prodloužené záruky je splnění veškerých podmínek uvedených na [www.bekocr.cz](http://www.bekocr.cz). O odstranění vad výrobku v prodloužené záruční lhůtě je kupující oprávněn požádat Zákaznické centrum BEKO tel.: 220 105 371 (800 350 333) [http://www.bekocr.cz/oprava -spotrebice](http://www.bekocr.cz/oprava-spotrebice).

Při opravě v rámci prodloužené záruky je uživatel povinen autorizovanému servisu předložit platný certifikát prodloužené záruky a prodejní doklad.

V době trvání prodloužené záruky bude oprávněná reklamacie řešena opravou nebo dodáním náhradního dílu. V případě neodstranitelné vady zajistí dovozce přímo u zákazníka výměnu výrobku za nový. Nárok na výměnu uplatňuje zákazník po zaslání všech potřebných dokladů /platný certifikát, doklad o zakoupení, vyjádření servisního technika/ na e-mail: [reklamace@bekosa.cz](mailto:reklamace@bekosa.cz) nebo poštou na adresu BEKO Spolka Akcyjna, org. sl. Lužná 716/2, 160 00 Praha 6 – Vokovice. Spotřebitel nemá právo v průběhu prodloužené záruky na vrácení kupní částky. Uplatnění práva na bezplatné odstraňování výrobních vad podléhá zde uvedeným všeobecným záručním podmínkám.

#### Právo na uplatnění záruky zaniká pokud:

- není výrobek používán v souladu s návodem
- došlo k mechanickému poškození výrobku cizím zaviněním, při nesprávné údržbě nebo jiným zanedbáním péče o výrobek
- byl na výrobku proveden neodborný zásah neoprávněnou osobou
- plynové spotřebiče nebo spotřebiče s napájením 400V nebyly uvedeny do provozu odbornou firmou
- došlo k mechanickému poškození při přepravě
- je vada způsobená vnějšími podmínkami, jako jsou např. poruchy v elektrické síti nebo vadná bytová instalace, nevhodnými provozními podmínkami, poškození živlem
- je výrobek vadný z důvodu použití neoriginálního příslušenství a náhradních dílů
- kuchyňská linka, do které je výrobek zabudovaný, nespĺňuje technické parametry
- záruka se dále nevztahuje na preventivní údržbu popsanou v návodu k obsluze, popřípadě závady způsobené nevhodnou manipulací, na opotřebení vzniklé běžným používáním, mechanické poškození skleněných a plastových komponentů
- záruka se nevztahuje na návštěvu technika za účelem poradenství, preventivní kontrolu stavu spotřebiče, výměnu náhradního dílu, který nevyžaduje odborný zásah, záměna směru otírání dveří chladniček

## Túto príručku si prečítajte ako prvú!

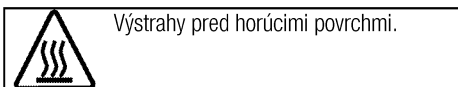
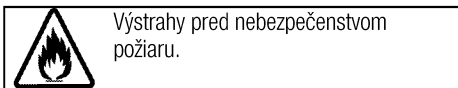
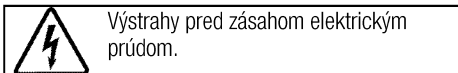
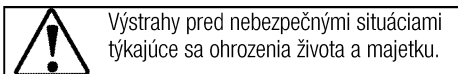
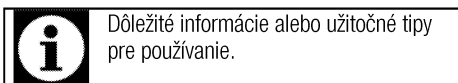
Vážený zákazník,

Ďakujeme, že ste si vybrali výrobok Beko. Dúfame, že sa dočkáte tých najlepších výsledkov od výrobku, vyrobeného vo vysokej kvalite a s najmodernejšími technológiami. Preto vám odporúčame, aby ste si túto používateľskú príručku a iné sprievodné dokumenty prečítali pred použitím výrobku celé a aby ste si ich odložili pre referenciu v budúcnosti. Ak rúru prevediete na inú osobu, dajte tejto osobe aj užívateľskú príručku. Riadte sa všetkými varovaniami a informáciami užívateľskej príručky.

Pamätajte si, že táto užívateľská príručka sa môže vzťahovať aj na niektoré ďalšie modely. Rozdiely medzi modelmi sú v príručke presne vymedzené.

### Vysvetlivky k symbolom

V celej užívateľskej príručke sa používajú nasledujúce symboly:



**Arçelik A.Ş.**  
Karaağaç caddesi No:2-6  
34445 Sütlüce/Istanbul/TURKEY  
Made in TURKEY

**1 Dôležité pokyny týkajúce sa bezpečnosti a životného prostredia.4**

Všeobecná bezpečnosť .....	4
Bezpečnosť pri práci s plynom .....	4
Elektrická bezpečnosť .....	5
Bezpečnosť produktu .....	6
Zamýšľané použitie .....	8
Bezpečnosť detí .....	8
Likvidácia starého výrobku.....	9
Likvidácia obalového materiálu .....	9

**2 Všeobecné informácie 10**

Prehľad .....	10
Obsah balenia .....	11
Technické parametre .....	12
Tabuľka vstrekačov.....	12

**3 Montáž 13**

Pred montážou .....	13
Montáž a pripojenie.....	14
Zmena plynu .....	15
Budúca preprava .....	16

**4 Prípravy 17**

Tipy na šetrenie energiou .....	17
Prvé použitie.....	17
Nastavenie času .....	17
Prvé čistenie výrobku .....	17
Prvé zahriatie.....	18

**5 Používanie platne 19**

0/Všeobecné informácie o varení.....	19
Používanie platní .....	19

**6 Práca s rúrou 20**

Všeobecné informácie o pečení, opekaní a grilovaní20	
Práca s elektrickou rúrou .....	20
Prevádzkové režimy .....	21
Používanie hodín rúry .....	22
Používanie zámku tlačidiel .....	22
Používanie hodín ako budíka .....	23
Harmonogramy varenia.....	24
Prevádzka grilu .....	25
Varné harmonogramy pre grilovanie .....	25

**7 Údržba a starostlivosť 26**

Všeobecné informácie .....	26
Čistenie platne .....	26
Čistenie ovládacieho panela .....	26
Čistenie rúry .....	26
Odstránenie dvierok rúry.....	26
Výmena žiarovky v rúre.....	27

**8 Riešenie problémov 28**

## **1 Dôležité pokyny týkajúce sa bezpečnosti a životného prostredia.**

Táto časť obsahuje bezpečnostné pokyny, ktoré vám pomôžu predísť riziku zranenia a poškodenia majetku. Porušenie týchto pokynov môže viesť k zrušeniu záruky.

### **Všeobecná bezpečnosť**

- Tento spotrebič nesmie byť používaný deťmi vo veku menej ako 8 rokov a osobami so zníženými fyzickými, zmyslovými alebo duševnými schopnosťami alebo osobami s nedostatkom skúseností a znalostí, ak nie sú pod dozorom zodpovednej osoby alebo ak nedostanú pokyny týkajúce sa bezpečného používania spotrebiča alebo nerozumejú možným rizikám. Deti sa so spotrebičom nesmú hrať. Čistenie a užívateľská údržba stroja nesmie byť vykonávaná deťmi bez dozoru.
- Nikdy neumiestňujte produkt na podlahu, na ktorej je koberec. Inak, by nedostatok prúdenia vzduchu pod spotrebičom mohol spôsobiť prehriatie elektrických častí. Čo vedie k problémom s Vaším spotrebičom.
- Montáž a opravu musia vždy vykonávať autorizovaní servisní technici. Výrobca nebude zodpovedný za škody, ktoré majú

pôvod v postupoch, ktoré vykonajú neoprávnené osoby a môže to mať za následok zrušenie záruky. Pred montážou si pozorne prečítajte tieto pokyny.

- Ak je výrobok chybný alebo ak má akékoľvek viditeľné poškodenie, nepoužívajte ho.
- Po každom použití skontrolujte, či je funkčný gombík vypnutý.

### **Bezpečnosť pri práci s plynom**

- Všetky práce na plynových zariadeniach a systémoch môžu vykonávať iba autorizovanými kvalifikovanými odborníkmi.
- Pred montážou sa uistite, že podmienky miestnej distribúcie (typ a tlak plynu) sú v súlade s nastavením spotrebiča.
- Tento spotrebič nie je pripojený k prístroju na odstránenie horľavých produktov. Mal by byť namontovaný a pripojený v súlade s aktuálnymi predpismi k montáži. Zvláštnu pozornosť by ste mali venovať príslušným požiadavkám týkajúcim sa vetrania. Pozrite si časť *Pred montážou, strana 13*
- Používanie plynového spotrebiča na varenie spôsobuje tvorbu tepla a vlhkosti v miestnosti, v ktorej je nainštalovaný. Zaisťte dostatočné vetranie kuchyne: uchovajte



otvorené prirodzené vetracie otvory alebo nainštalujte mechanické vetracie zariadenie (mechanický odsávací kryt).

Dlhodobé intenzívne používanie spotrebiča môže vyžadovať dodatočné vetranie, napríklad v prípade prítomnosti zvýšenu úroveň mechanickej ventilácie.

- Plynové spotrebiče a systémy musia byť pravidelne kontrolované, či fungujú správne. Regulátor, hadicu a ich svorky musíte pravidelne kontrolovať a vymieňať v intervaloch odporúčaných výrobcom alebo v prípade potreby.
- Pravidelne čistíte plynové horáky. Plamene by mali byť modré a horieť rovnomerne.
- V plynových spotrebičoch sa vyžaduje dobré horenie. V prípade nedokonalého horenia sa môže vytvárať oxid uhoľnatý (CO). Oxid uhoľnatý je bezfarebný plyn bez zápachu, ktorý je veľmi jedovatý a ktorý má smrtiaci účinok dokonca už aj v malých dávkach.
- Požadujte od vášho miestneho dodávateľa plynu informácie o núdzových telefónnych číslach pre prípad poruchy plynu a informácie o bezpečnostných opatreniach.

### **Čo robiť, keď cítite plyn**

- Nepoužívajte otvorení plameň a nefajčite. Nepoužívajte žiadne

elektrické tlačidlá (napr. tlačidlo svetla, zvonček na dverách atď.) Nepoužívajte pevné ani mobilné telefóny. Riziko výbuchu a otravy!

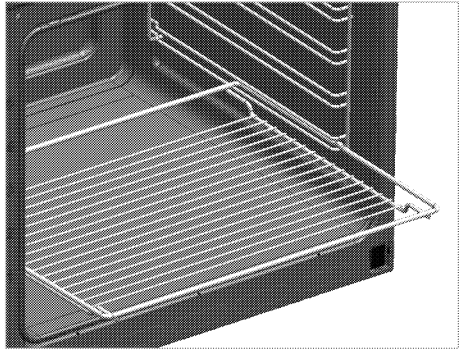
- Zatvorte všetky ventily na plynových spotrebičoch a plynomeroch.
- Otvorte dvere a okná.
- Skontrolujte všetky hadice a pripojenia, či sú tesné. Ak stále cítite plyn, opustite byt.
- Upozornite susedov.
- Zavolajte hasičov. Použite telefón mimo domu.
- Opätovne nevstupujte na pozemok, pokiaľ vám nebude oznámené, že je to bezpečné.

### **Elektrická bezpečnosť**

- Ak má produkt poruchu, nemal by sa obsluhovať, kým ho neopraví autorizovaný servisný technik. Hrozí riziko zásahu elektrickým prúdom!
- Len pripojte výrobok k uzemnenej zásuvke/sieti s napätím a ochranou ako je to uvedené v časti „Technické špecifikácie“. Ak používate výrobok s transformátorom alebo bez neho, montáž uzemnenia prenechajte na kvalifikovaného elektrikára. Naša spoločnosť nebude niesť zodpovednosť za žiadne problémy spôsobené neuzemnením v súlade s miestnymi predpismi.

- Výrobok nikdy neumývajte rozptýlením alebo nalievaním vody naň! Hrozí riziko zásahu elektrickým prúdom!
  - zástrčky sa nikdy nedotýkajte mokrými rukami! Nikdy neodpájajte vytiahnutím kábla, vždy vytiahnite uchopením zástrčky.
  - Výrobok sa počas montáže, údržby a postupov čistenia a opravy musí odpojiť.
  - Ak je kábel sieťového pripojenia pre výrobok poškodený, musí ho vymeniť výrobca, jeho servisný agent alebo podobne kvalifikovaná osoba, aby sa predišlo rizikám.
  - Zariadenie sa musí namontovať tak, aby sa úplne mohlo odpojiť od siete. Oddelenie sa musí zabezpečiť buď sieťovou zástrčkou alebo spínačom zabudovaným do pevnej elektrickej inštalácie v súlade s montážnymi predpismi.
  - Počas používania sa zadná stena rúry zohrieva. Uistite sa, že pripojenie elektriny/plynu sa nedotýka zadného povrchu, inak sa spojenia môžu poškodiť.
  - Nedovoľte, aby sa sieťový kábel zachytil medzi dvierka rúry a rám, ani ho nenasmerujte cez horúce povrchy. Inak sa izolácia káblov môže roztaviť a spôsobiť požiar v dôsledku skratu.
  - Všetky práce na elektrických zariadeniach a systémoch by mali vykonávať iba autorizovaní kvalifikovaní odborníci.
  - V prípade akéhokoľvek poškodenia vypnite prístroj a odpojte ho od sieťového zdroja. Aby ste tak urobili, vypnite poistky v domácnosti.
  - Uistite sa, že menovitý výkon hodnota poistky je kompatibilný s výrobkom.
- ### Bezpečnosť produktu
- Spotrebič a jeho prístupné časti sa môžu počas používania veľmi zohriať. Dávajte pozor, aby ste sa nedotkli výhrevných prvkov. Deti vo veku do 8 rokov udržiavajte mimo dosah, okrem prípadu, že na ne neustále dozeráte.
  - Výrobok nikdy nepoužívajte v prípade, keď máte ovplyvnený úsudok alebo koordináciu po požití alkoholu a/alebo liekov.
  - Ak v riadoch používate alkoholické nápoje, dávajte pozor. Alkohol sa pri vysokých teplotách vyparuje a môže spôsobiť požiar, pretože sa môže vznietiť, ak príde do styku s horúcimi povrchmi.
  - Nekladte žiadne horľavé látky do blízkosti produktu, pretože bočné strany sa počas používania zohrejú.

- Počas používania sa spotrebič zohreje. Dávajte pozor, aby ste sa nedotkli výhrevných prvkov vo vnútri rúry.
- Nezakrývajte žiadny z vetracích otvorov.
- V rúre neohrievajte uzatvorené konzervy a sklenené poháre. Tlak, ktorý sa v plechovke/pohári nahromadí, môže spôsobiť, že pohár praskne.
- Nekladte pekáče, riad alebo hliníkové fólie priamo na dno rúry. Nahromadenie tepla môže poškodiť dno rúry.
- Na čistenie sklenených dvierok rúry nepoužívajte silné abrazívne čistiace prostriedky ani ostré kovové škrabky, pretože môžu poškriabať povrch, čoho dôsledkom môže byť rozbitie skla.
- Na čistenie zariadenia nepoužívajte parné čističe, pretože by to mohlo spôsobiť zásah elektrickým prúdom.
- Správne umiestnenie drôtovej poličky a plechu na drôtené podstavce  
Je dôležité, aby ste správne umiestnili drôtenú poličku a/alebo plech na podstavec. Drôtenú poličku alebo plech zasuňte medzi 2 vodiace lišty a skôr, ako naň položíte jedlo, uistite sa, že je v rovnováhe (pozrite si nasledujúci obrázok).



- Ak je sklo na predných dvierkach odstránené alebo prasknuté, výrobok nepoužívajte.
- Rukoväť rúry nie je určená na sušenie utierok. Počas používania funkcie grilovania nedávajte na otvorené dvierka utierky, rukavice ani podobné výrobky.
- Keď vkladáte alebo vyberáte nádoby do alebo z horúcej rúry, používajte vždy teplovzdorné rukavice určené na použitie v rúre.
- Papier na pečenie dajte do pekáča alebo do príslušenstva rúry (plech, gril, atď.) spoločne s jedlom a potom všetko zasuňte do predhriatej rúry. Odstráňte časti papiera na pečenie prečnievajúce okraje pekáča alebo príslušenstvo, aby ste predišli nebezpečenstvu kontaktu s vykurovacími telesami v rúre. Papier na pečenie nikdy nepoužívajte pri teplote prekračujúcej uvedenú hodnotu na obale papiera na pečenie. Papier na pečenie nedávajte priamo na dno rúry.

- Uistite sa, že je spotrebič vypnutý predtým ako vymeníte lampu, vyhnete sa tak možnosti elektrického šoku.
- Horný kryt nezatvárajte pred ochladením varných platní alebo horákov.  
Horný kryt pred jeho otvorením utrite do sucha, aby ste zabránili úniku vody do zadných a vnútorných častí rúry.
- Varenie na platni s tukom alebo olejom môže byť bez dozoru nebezpečné alebo môže spôsobiť požiar. NIKDY sa nepokúšajte uhasiť oheň vodou, ale spotrebič vypnite a potom oheň prikryte, napr. s pokrievkou alebo hasiacim rúškom.
- Nebezpečenstvo ohňa: Na varnom povrchu neskladujte žiadne predmety.

#### Záruka produktu voči požiaru

- Uistite sa, že zástrčka zapojená v zásuvke tak aby nedošlo k iskreniu.
- Nepoužívajte poškodené, zrezané alebo nadpojené káble, výnimkou sú iba originálne káble.
- Uistite sa, že v zásuvke, do ktorej bude produkt pripojený nie je vlhko.
- Uistite sa, že plynové pripojenie je nainštalované tak, aby nedošlo k úniku plynu.

#### Zamýšľané použitie

- Tento výrobok je navrhnutý na používanie v domácnosti. Komerčné využitie nie je prípustné.
- Tento spotrebič je určený len na varenie. Nesmie sa používať na iné účely, napríklad na vykurovanie miestnosti.
- Tento výrobok sa nesmie používať na ohrievanie tanierov pod grilom, na sušenie uterákov, utierok atď. tak, že ich zavesíte na rúčky a na vykurovacie účely.
- Výrobca nebude zodpovedný za žiadne škody spôsobené nesprávnym používaním alebo manipuláciou.
- Rúra sa môže používať na odmrazovanie, pečenie, opekanie a grilovanie jedla.

#### Bezpečnosť detí

- Prístupné časti môžu byť počas použitia horúce. Uchovajte z dosahu malých detí.
- Obalové materiály sú pre deti nebezpečné. Obalové materiály držte mimo dosahu detí. Likvidujte všetky časti balenia v súlade s predpismi o životnom prostredí.
- Elektrické a/alebo plynové výrobky sú pre deti nebezpečné. Držte deti mimo dosahu výrobku, keď pracuje a nedovoľte deťom, aby sa s výrobkom hrali.

- Nad spotrebič neukladajte žiadne veci, na ktoré by deti mohli dosiahnuť.
- Keď sú dvierka otvorené, nekladajte na spotrebič žiadne ťažké predmety a nedovoľte deťom sedieť na spotrebiči. Môže sa prevrátiť alebo sa môžu poškodiť pánty dvierok.

### Likvidácia starého výrobku

**V súlade so smernicou o odpadoch z elektrických a elektronických zariadení a zneškodňovaní odpadov:**



Tento produkt je v súlade so smernicou o odpadoch z elektrických a elektronických zariadení EÚ (2012/19/EÚ) Tento produkt obsahuje symbol triedeného odpadu pre odpadové elektrické a elektronické vybavenie (WEEE).

Tento produkt bol vyrobený z vysoko kvalitných častí a materiálov, ktoré môžu byť znovu použité a sú vhodné na recykláciu. Na konci životnosti odpad z produktu neodstraňujte s bežným odpadom z domácnosti ani s iným odpadom. Recyklujte ho v zbernom mieste určenom na recykláciu elektrického a elektronického vybavenia. Pre zistenie informácií o zberných miestach kontaktujte miestne úrady.

### V súlade s Obmedzením používania niektorých nebezpečných látok v elektronických a elektrických zariadeniach:

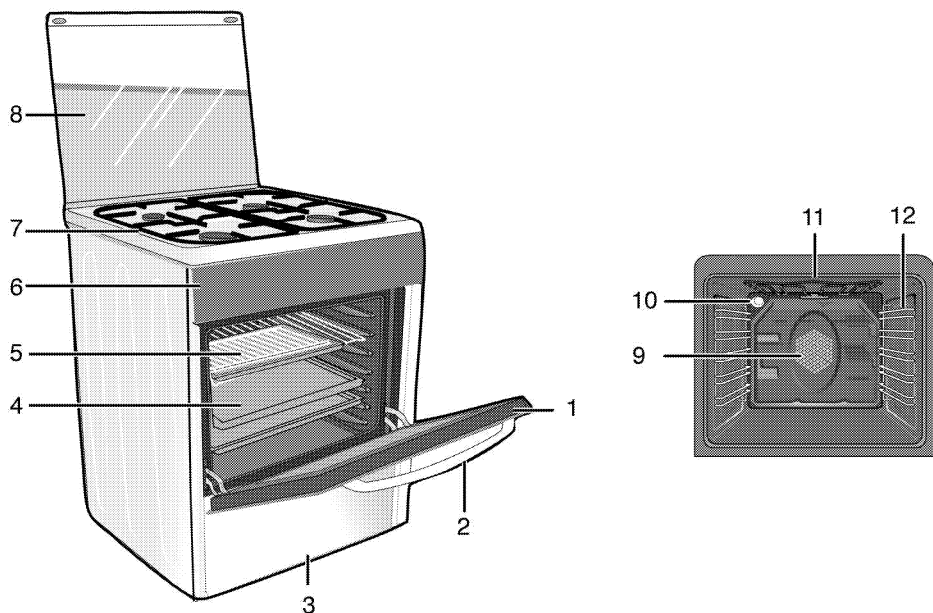
Tento produkt bol zakúpený v súlade so smernicou o odpadoch z elektrických a elektronických zariadení EÚ (2011/65/EÚ) Neobsahuje žiadne nebezpečné alebo zakázané materiály špecifikované smernicou.

### Likvidácia obalového materiálu

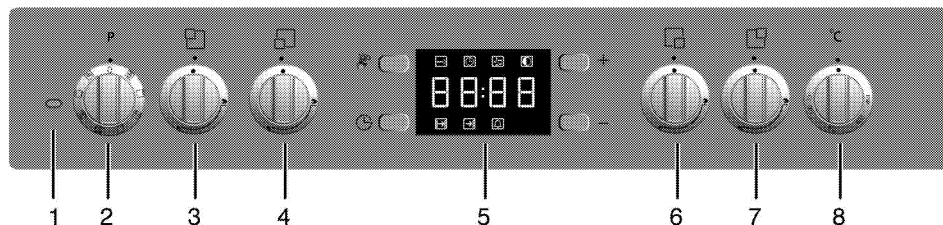
- Obalové materiály sú pre deti nebezpečné. Obalové materiály uchovávajte na bezpečnom mieste, mimo dosahu detí. Obalové materiály výrobku sú vyrobené z recyklovateľných materiálov. Riadne ich zlikvidujte a roztriedte v súlade s pokynmi na recykláciu odpadu. Nelikvidujte ich spolu s bežným odpadom z domácnosti.

## 2 Všeobecné informácie

### Prehľad



- |   |                 |    |   |
|---|-----------------|----|---|
| 1 | Predné dviierka | 7  | Platňa horáka                           |
| 2 | Rúčka           | 8  | Horný kryt                              |
| 3 | Spodná zásuvka  | 9  | Motor ventilátora (za oceľovou platňou) |
| 4 | Plech           | 10 | Svetlo                                  |
| 5 | Drôtená polička | 11 | Ohrevný prvok grilu                     |
| 6 | Ovládací panel  | 12 | Polohy políc                            |



- |   |                            |   |                             |
|---|----------------------------|---|-----------------------------|
| 1 | Svetlo termostatu          | 5 | Digitálny časovač           |
| 2 | Funkčný gombík             | 6 | Pomocný horák Vpredu vpravo |
| 3 | Normálny horák Vzadu vľavo | 7 | Normálny horák Vzadu vpravo |
| 4 | Rýchly horák Vpredu vľavo  | 8 | Gombík termostatu           |

## Obsah balenia

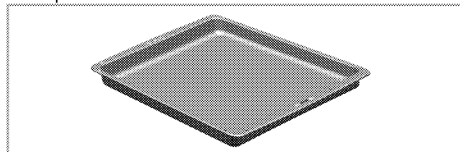


Dodané príslušenstvo sa môže odlišovať v závislosti od modelu produktu. Všetko príslušenstvo popísané v používateľskej príručke sa s vaším produktom nemusí dodávať.

### 1. Používateľská príručka

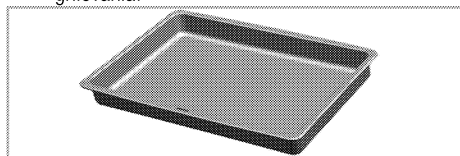
### 2. Plech do rúry

Používa sa pre cestoviny, mrazené jedlá a veľké pečenie.



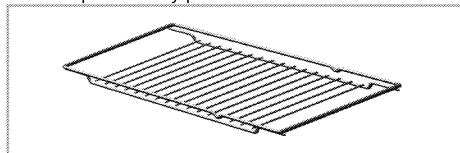
### 3. Hlboký plech

Používa sa pre cestoviny, veľké pečenie, šťavnaté jedlá a na zachytávanie tuku počas grilovania.



### 4. Drôtená polička

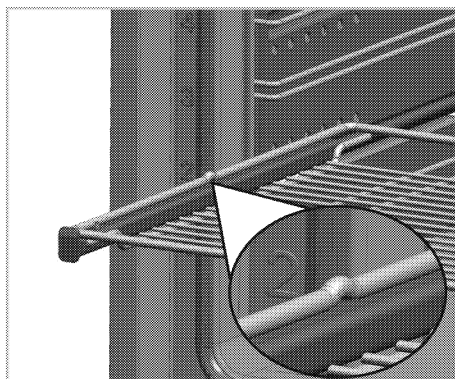
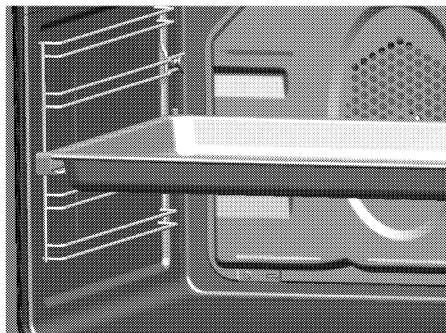
Používa sa na opekanie a na polozenie pokrmov, ktoré budete piecť, opekať alebo variť v misách na požadovaný podstavec.



### 5. Správne umiestnenie drôtenej poličky a plechu na teleskopické podstavce

Teleskopické podstavce vám umožňujú jednoduché vkladanie a vyberanie plechov a drôtenej poličky.

Pri používaní plechu a drôtenej poličky s teleskopickými podstavcami sa ubezpečte, že kolíky v zadnej časti teleskopického podstavca zapadli na okraje drôtenej poličky a plechu.






## Technické parametre

VŠEOBECNÉ	
Vonkajšie rozmery (výška/šírka/hĺbka)	850 mm/600 mm/600 mm
Napätie/frekvencia	220-240 V ~ 50 Hz
Celkový príkon	2.4 kW
Poistka	min. 16 A
Typ kábla/prierez	H05VV-FG 3 x 1,5 mm <sup>2</sup>
Kategória plynového výrobu	Cat II 2H3+
Typ plynu/tlak plynu	NG G 20/20 mbar
Celková spotreba plynu	7.9 kW
Prepočet typu/tlaku plynu <sup>S</sup>	LPG G 30/28-30 mbar
– voliteľné	Propán 31/37 mbar
PLATŇA	
Horáky	
Vzadu vľavo	Normálny horák
Výkon	2 kW
Vpredu vľavo	Rýchly horák
Výkon	2.9 kW
Vpredu vpravo	Pomocný horák
Výkon	1kW
Vzadu vpravo	Normálny horák
Výkon	2 kW
RÚRA/GRIL	
Hlavná rúra	Multifunkčná rúra
Vnútorne osvetlenie	15–25 W
Príkon grilu	2.2 kW

# Základy: Informácie na energetickom štítku elektrických rúr sú udávané v súlade s normou EN 60350-1 / IEC 60350-1. Tieto hodnoty sú určené pri štandardnom zaťažení s funkciami ohrievača z dolnej a hornej strany alebo ohrievania za pomoci ventilátora (ak je súčasťou výrobu).

Trieda energetickej účinnosti je určená v súlade s nasledujúcim stanovením priorít, v závislosti od toho, či má výrobok podstatné funkcie, alebo nie. 1 - Varenie s ekologickým ventilátorom, 2- Varenie s turboventilátorom, 3 - Turbovarenie, 4 - Dolné/horné ohrievanie za pomoci ventilátora, 5 - Horné a dolné ohrievanie.

	Technické parametre sa môžu zmeniť bez predchádzajúceho upozornenia za účelom zlepšenia kvality výrobu.
	Obrázky v tejto príručke sú schematické a nemusia sa úplne zhodovať s vašim výrobkom.

	Hodnoty uvedené na štítkoch produktov alebo v sprievodnej dokumentácii boli dosiahnuté v laboratórnych podmienkach v súlade s príslušnými normami. V závislosti od prevádzkových podmienok a podmienok okolitého prostredia výrobu sa tieto hodnoty môžu líšiť.
---	---

## Tabuľka vstrekačov

Umiestnenie zóny platne	2 kW Vzadu vľavo	2.9 kW Vpredu vľavo	1kW Vpredu vpravo	2 kW Vzadu vpravo
Typ plynu / tlak plynu				
G 20/20 mbar	103	115	72	103
G 30/28-30 mbar	72	87	50	72
G 31/ 37 mbar	72	87	50	72



### 3 Montáž

Výrobok musí namontovať kvalifikovaná osoba podľa platných predpisov. V opačnom prípade záruka stratí platnosť. Výrobca nebude zodpovedný za škody, ktoré majú pôvod v postupoch, ktoré vykonajú neoprávnené osoby a môže to mať za následok zrušenie záruky.

**i** Príprava miesta a montáž prívodov elektriny a plynu pre výrobok je na zodpovednosti zákazníka.

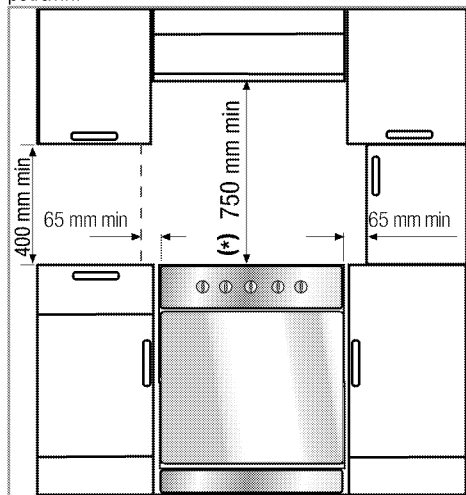
**!** **NEBEZPEČENSTVO:**  
Výrobok musí byť namontovaný v súlade so všetkými miestnymi plynovými a/alebo elektrickými nariadeniami.

**!** **NEBEZPEČENSTVO:**  
Pred montážou vizuálne skontrolujte, či na výrobku nie sú žiadne závady. Ak sú, výrobok nemontujte. Poškodené výrobky predstavujú riziko pre vašu bezpečnosť.

#### Pred montážou

Aby sa zaistilo, že pod zariadením sa zaistia kritické vzduchové medzery, odporúčame, aby ste toto zariadenie upevnili na pevný podklad a aby sa nožička neprepadávala do žiadneho koberca alebo mäkkej podlahy.

Kuchynská dlážka musí zniesť hmotnosť zariadenia plus ďalšiu hmotnosť nádob na varenie a pečenie a potravín.



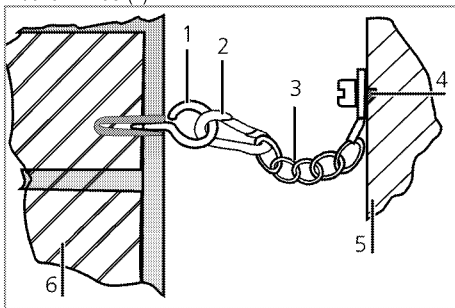
- Môže sa používať so skrinkami na oboch stranách, ale pri minimálnej vzdialenosti 400 mm nad úrovňou varnej dosky nechajte bočnú vôľu

65 mm medzi spotrebičom a akoukoľvek stenou, priečkou alebo vysokým kredencom.

- Môže sa tiež používať ako voľne stojaci spotrebič. Nad povrchom platne zabezpečte priestor minimálne 750 mm.
- (\*) Ak sa nad sporák chystáte nainštalovať kryt sporáka, ohľadom inštalačnej výšky (min. 650 mm) sa obráťte na pokyny od výrobcu krytu sporáka.
- Prístroj zodpovedá zariadeniu triedy 1, t.j. môžete ho umiestniť bočnou a zadnou a **jednu** bočnou stranou ku kuchynskej stene, nábytku v kuchyni alebo zariadeniu akýchkoľvek rozmerov. Kuchynský nábytok alebo zariadenie na **druhej** strane môže mať maximálne rovnakú veľkosť alebo menšiu.
- Akýkoľvek kuchynský nábytok vedľa prístroja musí byť teplovzdorný (minimálne do 100 °C).

#### Bezpečnostná reťaz

Zariadenie sa musí zabezpečiť proti nadvyvíženiu pomocou dodaných dvoch reťazí na vašej rúre. Upevnite hák (1) použitím kuchynskej steny (6) a pripevnite bezpečnostnú reťaz (3) k háku cez zamykací mechanizmus (2).



- 1 Stabilizačný hák
- 2 Zamykací mechanizmus
- 3 Bezpečnostná reťaz
- 4 Pevne upevnite reťaz k zadnej strane sporáka
- 5 Zadná strana sporáka
- 6 Kuchynská stena

**i** Stabilizačná reťaz má byť čo najkratšia, aby nedochádzalo k nakláňaniu rúry v smere dopredu a diagonálne, aby nedochádzalo k nakláňaniu rúry do strán.

Reťaz na stabilizáciu variča pre variče, ktoré nie sú vybavené drážkou na zaistenie konzoly.

## Vetrание miestnosti

Všetky miestnosti vyžadujú otvárateľné okno, prípadne ekvivalentný prostriedok a niektoré miestnosti vyžadujú nepretržité odvetrávanie.

Vzduch na horenie sa odoberá zo vzduchu v miestnosti a spaliny sa emitujú priamo do miestnosti.

Dobré vetranie miestnosti je základom bezpečnej prevádzky vášho prístroja. Ak na vetranie miestnosti nemáte žiadne okno alebo dvere, musíte namontovať prídavné vetranie.

Zariadenie sa môže nachádzať v kuchyni, kuchyni/jedálni alebo obývacej spálni, ale nie v miestnosti, v ktorej sa nachádza vaňa alebo sprcha. Zariadenie sa nemôže inštalovať do obývacej spálni, ktorá je menšia ako 20 m<sup>3</sup>.

Toto zariadenie neinštalujte do miestnosti v suteréne, pokiaľ nemá otvor k povrchu aspoň na jednej strane.

Veľkosť miestnosti	Vetracie otvory
menej ako 5 m <sup>3</sup>	min. 100 cm <sup>2</sup>
5 m <sup>3</sup> až 10 m <sup>3</sup>	min. 50 cm <sup>2</sup>
viac ako 10 m <sup>3</sup> /den	nevyžaduje sa
V pivnici alebo v suteréne	min. 65 cm <sup>2</sup>

## Montáž a pripojenie

Produkt môžete namontovať a pripojiť jedine v súlade so zákonnými pravidlami pre montáž.



Výrobok nemontujte do blízkosti chladničiek alebo mrazničiek. Teplo, ktoré výrobok vyžaruje, bude zvyšovať spotrebu energie chladiacich spotrebičov.

- Výrobok prenášajte za pomoci najmenej dvoch osôb.
- Produkt musí byť umiestnený priamo na podlahe. Nesmie byť položený na podstavec, ani na stojan.



Na držanie alebo prenášanie výrobku nepoužívajte dverka a/ani rúčku. Poškodia sa dverka, rukoväť alebo závesy.

## Elektrické pripojenie

Výrobok pripojte k uzemnenej zásuvke/sieti, chránenej poistkou s vhodnou kapacitou tak, ako je to uvedené v tabuľke „Technické parametre“. Ak používate výrobok s transformátorom alebo bez neho, montáž uzemnenia prenechajte na kvalifikovaného elektrikára. Naša spoločnosť nezodpovedá za žiadne škody, ktoré sú spôsobené v dôsledku používania výrobku bez namontovaného uzemnenia v súlade s miestnymi predpismi.



### NEBEZPEČENSTVO:

Výrobok musí k sieťovému zdroju pripojiť iba autorizovaná a kvalifikovaná osoba. Záručná doba výrobku začína plynúť iba po správnej montáži.

Výrobca nebude zodpovedný za škody, ktoré majú pôvod v postupoch, ktoré vykonajú neoprávnené osoby.



### NEBEZPEČENSTVO:

Sieťový kábel nesmie byť stisnutý, ohnutý, ani stlačený, ani nesmie prísť do styku s horúcimi časťami výrobku.

Poškodený sieťový kábel musí vymeniť kvalifikovaný elektrikár. V opačnom prípade existuje riziko zásahu elektrickým prúdom, skratu alebo požiaru!

Údaje sieťového napájania sa musia zhodovať s údajmi uvedenými na typovom štítku výrobku. Výkonnostný štítok je viditeľný buď pri otvorení dveriek, alebo dolného krytu alebo sa nachádza na zadnej stene prístroja, v závislosti od typu prístroja.

Sieťový kábel vášho výrobku musí byť v súlade s tabuľkou „Technické parametre“.



Zástrčka sieťového kábla musí byť po montáži ľahko dostupná (nenasmerujte ju ponad platňu).



### NEBEZPEČENSTVO:

Pred začatím akejkoľvek práce na elektroinštalácii odpojte výrobok od sieťového zdroja.

Hrozí riziko zásahu elektrickým prúdom!

Zasuňte sieťový kábel do zásuvky.

## Plynové pripojenie



### NEBEZPEČENSTVO:

Výrobok môže k systému prívodu plynu pripojiť len autorizovaná alebo kvalifikovaná osoba. Riziko výbuchu alebo otravy kvôli neodborným opravám!

Výrobca nebude zodpovedný za škody, ktoré majú pôvod v postupoch, ktoré vykonajú neoprávnené osoby.



### NEBEZPEČENSTVO:

Pred začatím každej práce na inštalácii plynu odpojte prívod plynu.

Hrozí riziko výbuchu!

- Na štítkoch (alebo na iónovom typovom štítku) sú uvedené podmienky a hodnoty regulácie plynu.



Váš výrobok je vybavený na používanie zemného plynu (NG).

- Pred montážou produktu musí byť pripravená inštalácia zemného plynu.
- Na vývode inštalácie produktu pre pripojenie zemného plynu musí byť flexibilná hadica a špička tejto rúry musí byť uzatvorená zásepkou. Servisný technik počas pripájania zásepku odstráni a pripojí váš produkt pomocou priameho pripojného zariadenia (spojky).
- Uistite sa, že ventil zemného plynu je ľahko prístupný.
- Ak budete neskôr potrebovať produkt používať s iným typom plynu, súvisiaci proces zmeny musíte prekonzultovať s autorizovaným servisným zástupcom.



### NEBEZPEČENSTVO:

Plynová hadica nesmie byť stisnutá, ohnutá alebo stlačená, ani nesmie prísť do styku s horúcimi časťami výrobku. Existuje tam riziko výbuchu kvôli poškodenej plynovej hadici.

- Produkt zatlačte smerom ku kuchynskej stene.
- **Nastavenie nožičiek rúry**  
Vibrácie počas používania môžu spôsobiť pohyb varných nádob. Tejto nebezpečnej situácii môžete zabrániť, ak bude produkt vodorovný a vyvážený.  
Pre vašu vlastnú bezpečnosť zabezpečte vodorovnosť produktu nastavením štyroch nožičiek na dolnej strane ich otáčaním doľava alebo doprava a zarovnaním s pracovným povrchom.

### Záverečná kontrola

1. Skontrolujte elektrické funkcie.
2. Otvorte prívod plynu.
3. Skontrolujte plynové pripojenia kvôli bezpečnému upevneniu a tesnosti.
4. Zapáľte horáky a skontrolujte vzhľad plameňa.



Plameň musí byť modrý a musí mať pravidelný tvar. Ak je plameň žltkastý, skontrolujte, či je uzáver horáka pevne umiestnený, prípadne horák vyčistite.

### Zmena plynu



### NEBEZPEČENSTVO:

Pred začatím každej práce na inštalácii plynu odpojte prívod plynu. Hrozí riziko výbuchu!

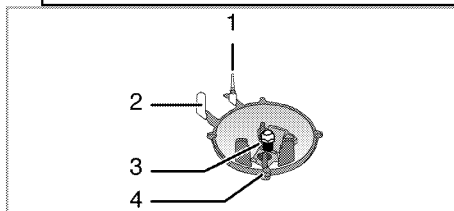
Za účelom zmeny typu plynu vo vašom spotrebiči vymeňte všetky vstrekače a vykonajte úpravu plameňa na všetkých ventiloch v polohe so zníženým prietokom.

### Výmena vstrekača horákov

1. Zložte uzáver horáku a teleso horáku.
2. Vstrekače odkrutkujte ich otáčaním proti smeru chodu hodinových ručičiek.
3. Upevnite nové vstrekače.
4. Skontrolujte všetky pripojenia kvôli bezpečnému upevneniu a tesnosti.



Umiestnenie nových vstrekačov je označené na ich baleniach alebo si môžete pozrieť tabuľku vstrekačov v časti *Tabuľka vstrekačov, strana 12*.



1. Zariadenie pre prípad zlyhania plameňa (závisí od modelu)
2. Zapalovacia sviečka
3. Vstrekač
4. Horák

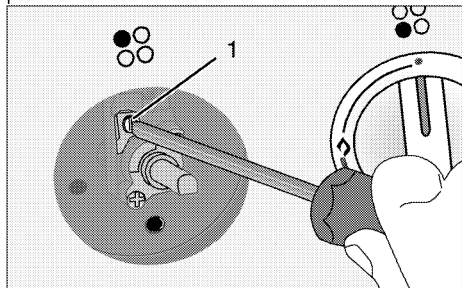


Kým nedôjde k nebezpečnej situácii, nepokúšajte sa odstrániť uzávery plynu na horáku. Ak je nutné vymeniť uzávery, musíte zavolať zástupcovi autorizovaného servisu.

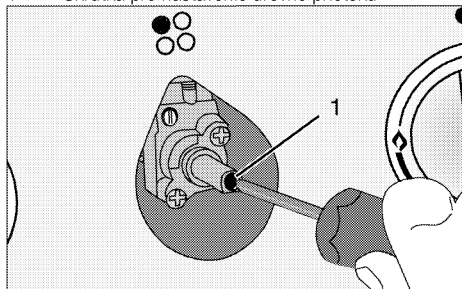
### Nastavenie zníženého prietoku plynu na uzáveroch platne

1. Zapáľte horák, ktorý sa ide nastaviť a otočte gombíkom do zníženej polohy.
2. Z uzáveru plynu odmontujte gombík.
3. Na nastavenie nastavovacej skrutky úroveň prietoku použite skrutkovač správnej veľkosti.  
Pre LPG (bután-propán) otočte skrutku v smere chodu hodinových ručičiek. Pri zemnom plyne by ste mali skrutku raz otočiť **proti smeru hodinových ručičiek**.  
» Normálna dĺžka priameho plameňa v redukovanej polohe by mala byť 6 až 7 mm.
4. Ak je plameň vyšší ako požadovaná poloha, otočte skrutku v smere hodinových ručičiek. Ak je menší, otočte proti smeru hodinových ručičiek.
5. Kvôli poslednej kontrole dajte horák do polohy s vysokým plameňom, ako aj do redukovanej polohy a skontrolujte, či plameň horí alebo nie.

Poloha nastavovacej skrutky sa môže odlišovať v závislosti od typu plynového kohútika, ktorý sa používa vo vašom zariadení.



1 Skrutka pre nastavenie úrovne prietoku



1 Skrutka pre nastavenie úrovne prietoku

**i** Ak sa zmení typ plynu v zariadení, potom musíte zmeniť aj štítok s údajmi znázorňujúci typ plynu v zariadení.

## Budúca preprava

- Odložte si pôvodnú krabicu z výrobku a výrobok prepravujte v nej. Postupujte podľa pokynov na krabici. Ak nemáte pôvodnú krabicu, výrobok zabalte do bublinkového obalu alebo do hrubého kartónu a bezpečne ho zalepte páskou.
- Aby ste drôtenému grilu a podnosu v rúre zabránili poškodeniu dvierok rúry, na vnútornú stranu dvierok rúry vložte pás kartónu, ktorý sa zhoduje s polohou podnosov. Zalepte páskou dvierka rúry s bočnými stenami.
- Lepiacou páskou zaistíte uzávery a podpery na hrnce.
- Na dvíhanie alebo prenášanie výrobku nepoužívajte dvierka, ani rúčku.

**i** Na výrobok nekladte žiadne predmety a presúvajte ho vo vzpriamenej polohe.

**i** Skontrolujte celkový vzhľad výrobku, či neobsahuje akékoľvek poškodenie, ktoré sa mohlo vyskytnúť pri preprave.

## 4 Prípravy

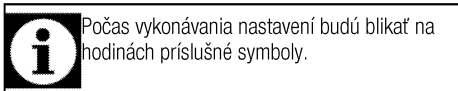
### Tipy na šetrenie energiou

Nasledujúce informácie vám pomôžu používať váš spotrebič ekologicky a šetriť energiou:

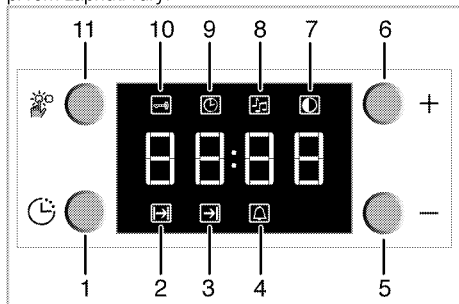
- V rúre používajte tmavé alebo smaltované nádoby, pretože lepšie prenášajú teplo.
- Keď varíte pokrmy, vykonajte predhriatie, ak to odporúča používateľská príručka alebo pokyny na varenie.
- Počas varenia neotvárajte dverka rúry príliš často.
- Vždy keď je to možné, pokúste sa v rúre variť viac ako len jedno jedlo súčasne. Môžete variť tak, že na drôtenú mriežku položíte dve varné nádoby.
- Varte jedlá hneď za sebou. Rúra už bude horúca.
- Energiu môžete ušetriť aj tak, že rúru vypnete pár minút pred dobou skončenia varenia. Neotvárajte dverka rúry.
- Pred varením mrazeného jedla ho rozmrazte.
- Na varenie používajte hrnce/panvice s pokrievkami. Ak pokrievku nemáte, spotreba energie sa môže zvýšiť 4-krát.
- Vyberte horák, ktorý je vhodný pre veľkosť dna hrnce, ktorý plánujete použiť. Pre jedlá vždy vyberajte správnu veľkosť hrnce. Väčšie hrnce vyžadujú viac energie.

### Prvé použitie

#### Nastavenie času



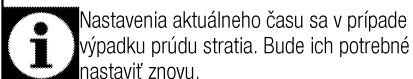
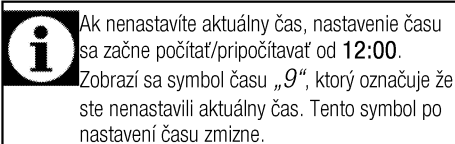
Stlačením tlačidiel „-“ alebo „+“ (5/6) nastavte čas po prvom zapnutí rúry.



- 1 Tlačidlo programu
- 2 Symbol doby varenia
- 3 Symbol skončenia doby varenia

- 4 Symbol Alarm
- 5 Tlačidlo mínus
- 6 Tlačidlo plus
- 7 Nastavenie jasu obrazovky
- 8 Hlasitosť alarmu
- 9 Aktuálny čas
- 10 Symbol uzamknutia tlačidiel
- 11 Tlačidlo nastavenia

Po nastavení času môžete spustiť a ukončiť varenie zvolením požadovanej polohy tlačidlom teploty a tlačidlom funkcií.



#### Zmena denného času

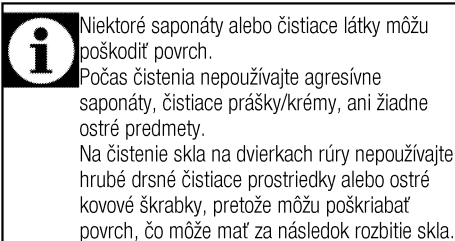
Ak chcete zmeniť čas dňa, ktorý ste predtým nastavili:

1. Stlačením tlačidla (11) aktivujete symbol aktuálneho času „9“.
2. Aktuálny čas nastavte stlačením tlačidiel „-“ alebo „+“ (5/6).

#### Zmena nastavenia jasu obrazovky

1. Stlačením tlačidla (11) aktivujete symbol jasu obrazovky „7“ za účelom nastavenia jasu obrazovky.
  2. Želaný jas nastavte stlačením tlačidiel „-“ alebo „+“ (5/6).
- » Zvolená úroveň jasu sa na displeji zobrazí ako d-01, d-02 alebo d-03.

#### Prvé čistenie výrobku



1. Odstráňte všetky obalové materiály.
2. Vytierajte povrchy produktu vlhkou tkaninou alebo špongiou a utrite ich tkaninou.

## Prvé zahriatie

Výrobok zahrievajte asi 30 minút a potom ho vypnite. Dôjde tak k spáleniu a odstráneniu všetkých výrobných zvyškov alebo vrstiev.



### VAROVANIE

Horúce povrchy spôsobujú popáleniny!

Výrobok môže byť počas používania horúci.

Nikdy sa nedotýkajte horúcich horákov, vnútorných častí rúry, ohrievačov atď. Držte mimo dosahu detí.

Keď vkladáte alebo vyberáte nádoby do alebo z horúcej rúry, používajte vždy teplovzdorné rukavice určené na použitie v rúre.

## Elektrická rúra

1. Vyberte z rúry všetky plechy na pečenie a drôtený gril.
2. Zatvorte dvierka rúry.
3. Vyberte polohu Static (Statická).
4. Vyberte najvyšší výkon grilu. Pozrite si časť *Práca s elektrickou rúrou, strana 20*.
5. Nechajte rúru bežať po dobu 30 minút.
6. Vypnite rúru; pozrite si časť *Práca s elektrickou rúrou, strana 20*

## Grilovacia rúra

1. Vyberte z rúry všetky plechy na pečenie a drôtený gril.
2. Zatvorte dvierka rúry.
3. Vyberte najvyšší výkon grilu. Pozrite si časť *Prevádzka grilu, strana 25*.
4. Nechajte rúru bežať po dobu 30 minút.
5. Vypnutie grilu si pozrite v časti *Prevádzka grilu, strana 25*



Dym a zápach sa môžu šíriť niekoľko hodín počas prvej prevádzky. Toto je úplne normálne. Zaisťte, aby bola miestnosť dobre vetraná, aby ste odstránili dym a zápach. Zabráňte priamemu vdychovaniu dymu a zápachu, ktorý sa vytvára.

## 5 Používanie platne

### 0/Všeobecné informácie o varení



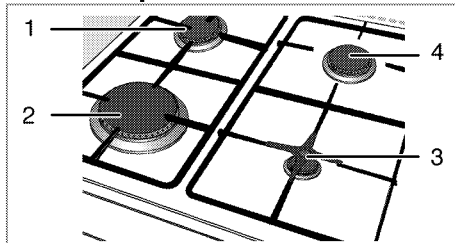
Do panvice nikdy nelejte viac oleja, ako je jedna tretina jej objemu. Počas zohrievania oleja nenechávajte platňu bez dozoru. Nadmerne zohriaty olej predstavuje riziko požiaru. **Nikdy sa nepokúšajte uhasiť možný požiar vodou!** Keď olej začne horieť, prikryte ho hasiacim rúškom alebo vlhkou handrou. Ak je to bezpečné, platňu vypnite a zavolajte hasičov.

- Potraviny pred vyprážením vždy dobre osušte a zľahka ich vložte do horúceho oleja. Pred vyprážením skontrolujte, či sa mrazené potraviny úplne rozmrazili.
- Pri zohrievaní oleja nezakrývajte nádobu, ktorú používate.
- Hrnce a panvice uložte tak, aby ich držadlá neboli nad platňou, čím zabránite zohriatiu držadiel. Na platňu nedávajte nevyvážené nádoby a ani nádoby, ktoré sa ľahko prevrhnú.
- Na zapnuté varné zóny nedávajte prázdne nádoby a panvice. Môžu sa poškodiť.
- Prevádzka varnej zóny bez toho, aby na nej bola položená nádoba alebo panvica spôsobí poškodenie produktu. Po dokončení varenia vypnite varné zóny.
- Vzhľadom na to, že povrch produktu môže byť horúci, nedávajte naň plastové a ani hliníkové nádoby. Takéto nádoby by ste nemali používať ani na uchovanie jedál.
- Používajte len panvice alebo nádoby s plochým dnom.
- Do panvic a hrncov dávajte príslušné množstvo jedla. A takto nebudete musieť prostredníctvom zabránenia pretečenia riadov vykonať žiadne nepotrebné čistenia. Pokrievky panvic alebo hrncov nedávajte na varné zóny. Panvice umiestnite tak, aby boli na varnej zóne vycentrované. Keď chcete panvicu premiestniť na inú varnú zónu, namiesto jej posúvania ju zdvihnite a dajte na želanú varnú zónu.

### Varenie na plyne

- Veľkosť nádoby a plameň sa musia zhodovať. Plynové plamene nastavte tak, aby nepresahovali dno nádoby a nádobu vycentrujte na držiaku panvice.

### Používanie platní



- 1 Normálny horák 18-20 cm
- 2 Rýchly horák 22-24 cm
- 3 Pomocný horák 12-18 cm
- 4 Normálny horák 18-20 cm predstavuje zoznam odporúčaného priemeru hrncov, ktoré sa môžu použiť vo vzťahu k horákam.

Symbol veľkého plameňa označuje najvyšší výkon varenia a symbol malého plameňa označuje najnižší výkon varenia. Po otočení do vypnutej polohy (hore) sa do horákov neprívádza plyn.

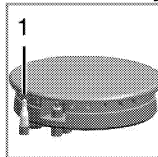
### Zapálenie plynových horákov

1. Tlačidlo horáku držte stlačené.
2. Otočte ho proti smeru chodu hodinových ručičiek na symbol veľkého plameňa.
- » Plyn sa zapáli pomocou vytvorenej iskry.
3. Nastavte na želaný výkon varenia.

### Vypnutie plynových horákov

Tlačidlo zóny uchovania teploty otočte do vypnutej (hornej) polohy.

### Bezpečnostný systém vypnutia plynu (v modeloch s termickým komponentom)



Ako protiopatrenie proti zhasnutiu kvôli pretečeniu tekutiny na horáky sa spustí bezpečnostný mechanizmus a vypne plyn.

#### 1. Bezpečné vypnutie plynu

- Zapálenie vykonajte stlačením tlačidla smerom dnu a jeho otočením proti smeru hodinových ručičiek.
- Po zapálení plynu držte tlačidlo stlačené ďalších 3 až 5 sekúnd, aby sa bezpečnostný systém zapalil.
- Ak sa plyn po stlačení a uvoľnení tlačidla nezapáli, rovnaký postup zopakujte a tlačidlo držte stlačené 15 sekúnd.



### NEBEZPEČENSTVO:

Ak sa horák nezapáli do 15 sekúnd, tlačidlo uvoľnite. Pred opätovným pokusom počkajte aspoň 1 minútu. Hrozí riziko nahromadenia plynu a výbuchu!

## 6 Práca s rúrou

### Všeobecné informácie o pečení, opekaní a grilovaní



#### VAROVANIE

Horúce povrchy spôsobujú popáleniny! Výrobok môže byť počas používania horúci. Nikdy sa nedotýkajte horúcich horákov, vnútorných častí rúry, ohrievačov atď. Držte mimo dosahu detí.

Keď vkladáte alebo vyberáte nádoby do alebo z horúcej rúry, používajte vždy teplovzdorné rukavice určené na použitie v rúre.



#### NEBEZPEČENSTVO:

Dávajte pozor pri otváraní dvierok rúry, pretože môže unikáť para.

Unikajúca para vám môže obariť ruky, tvár a/alebo oči.

#### Tipy na pečenie

- Používajte vhodné kovové plechy s nelepivým náterom alebo hliníkové nádoby alebo teplovzdorné silikónové formy.
- Čo najlepšie využite priestor podstavca.
- Formu na pečenie položte do stredu podstavca.
- Pred zapnutím rúry alebo grilu vyberte správnu polohu podstavca. Keď je rúra horúca, nemeňte polohu podstavca.
- Dvierka na rúre nechajte zatvorené.

#### Tipy na opekánie

- Spracovanie celého kurčaťa, moriaka a veľkých kusov mäsa pomocou dresingov, ako napríklad citrónovej šťavy a čierneho korenia pred varením zvýši výkon varenia.
- Mäso s kostami opekajte o približne 15 až 30 minút dlhšie, ako rovnakú porciu mäsa bez kostí.
- Každý centimeter hrúbky mäsa si vyžaduje dobu varenia približne 4 až 5 minút.
- Po dopečení nechajte mäso odpočívať v rúre asi na 10 minút. Štáva sa lepšie rozloží po celom pečenom mäse a pri krájaní nevyteká z mäsa.
- Ryby by ste mali položiť na stredný alebo dolný podstavec do teplovzdorného plechu.

#### Tipy na grilovanie

Keď grilujete mäso, ryby a hydinu, rýchlo zhnednú, sú chrumkavé a nevysušia sa. Pre grilovanie sú obzvlášť vhodné ploché kúsky, ihlice na mäso a omáčky, ako aj zelenina s vysokým obsahom vody, ako napríklad paradajky a cibule.

- Kúsky, ktoré idete grilovať, rozložte po drôtenej mriežke alebo po plechu na pečenie s drôtenou

mriežkou takým spôsobom, aby pokrytý priestor nepresahoval veľkosť ohrievača.

- Drôtenú mriežku alebo plech na pečenie s mriežkou zasuňte do rúry na požadovanú úroveň. Ak grilujete na drôtenej mriežke, zasuňte plech na pečenie do dolného podstavca, aby zachytával masť. Do plechu na pečenie pridajte trochu vody kvôli ľahšiemu čisteniu.



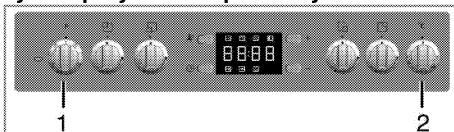
Potraviny, ktoré nie sú vhodné na grilovanie, predstavujú riziko požiaru.

Grilujte iba jedlo, ktoré je vhodné na intenzívne teplo pri grilovaní.

Jedlo neumiestňujte príliš ďaleko do zadnej časti grilu. Toto je najhorúcejšie miesto a masť na jedle sa môže vznietiť.

### Práca s elektrickou rúrou

#### Výber teploty a režimu prevádzky



- 1 Funkčný gombík
- 2 Gombík termostatu

1. Funkčný gombík nastavte na želaný prevádzkový režim.
2. Gombík teploty nastavte na želanú teplotu.  
» Rúra sa zahreje na nastavenú teplotu a uchová si ju. Počas zahrievania teplotný indikátor zostáva svietiť.

#### Vypnutie elektrickej rúry

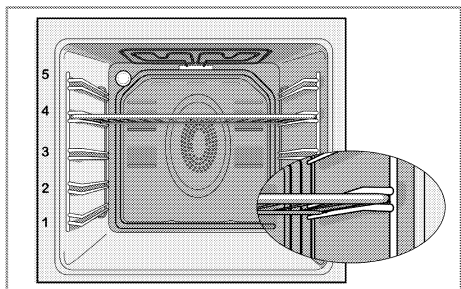
Funkčný gombík a gombík teploty otočte do vypnutej (hornej) polohy.

#### Polohy podstavca (pre modely s drôtenou mriežkou)

Je dôležité, aby ste drôtenú mriežku správne umiestnili na drôtený podstavec. Drôtená mriežka musí byť vložená medzi drôtené podstavce tak, ako je to znázornené na obrázku.

Nedovoľte, aby drôtená mriežka stála oproti zadnej stene rúry. Preto zasuňte drôtenú mriežku do prednej časti podstavca a podľa potreby ju vyrovnajte pomocou dvierok, aby ste dosiahli dobrý výkon grilovania.





### Prevádzkové režimy

Poradie prevádzkových režimov znázornené na týchto obrázkoch sa môže líšiť od usporiadania na vašom výrobku.

#### Horné a spodné ohrievanie



Horné a spodné ohrievanie je v prevádzke. Jedlo sa ohrieva súčasne zhora aj zdola. Je to vhodné, napríklad, pre koláče, cestoviny alebo koláče a miskové jedlá vo formách na pečenie. Varte len s jedným plechom.

#### Spodné ohrievanie



V prevádzke je len spodné ohrievanie. Je to vhodné na pizzu a na následné stmavnutie jedál z dolnej časti.

#### Spodné/horné ohrievanie podporené ventilátorom



V prevádzke je horné ohrievanie, dolné ohrievanie plus ventilátor (v zadnej stene). Pomocou ventilátora sa horúci vzduch veľmi rýchlo a rovnomerne rozšíri po celej rúre. Varte len s jedným plechom.

#### Prevádzka s ventilátorom



Rúra sa neheje. V prevádzke je len ventilátor (v zadnej stene). Mrazené granulované jedlo sa roztápa pomaly pri izbovej teplote a varené jedlo sa ochladzuje.

#### Vyhrievanie ventilátorom



V prevádzke je ohrievanie s asistenciou ventilátora (v zadnej stene). Pomocou ventilátora sa horúci vzduch veľmi rýchlo a rovnomerne rozšíri po celej rúre. Vo väčšine prípadov sa predhrievanie nevyžaduje. Vhodné na varenie vašich jedál na rôznych úrovniach podstavcov. Vhodné na varenie s viacerými plechmi.

#### Funkcia „3D“



V prevádzke je horné ohrievanie, dolné ohrievanie a ohrievanie s asistenciou ventilátora (v zadnej stene). Jedlo sa rovnomerne a rýchlo varí z každej strany. Varte len s jedným plechom.

#### Úplné grilovanie



V prevádzke je veľký gril v strope rúry. Je vhodné na grilovanie veľkých porcií mäsa.

- Veľké alebo stredné porcie na grilovanie dajte do správnej polohy na podstavec pod grilovací ohrievač.
- Nastavte teplotu na maximálnu úroveň.
- Po polovici času grilovania otočte jedlo.

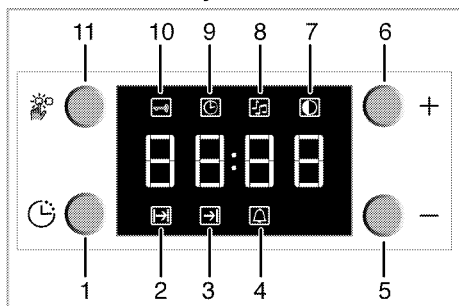
#### Grilovanie + ventilátor





Účinok grilovania nie je taký silný, ako pri úplnom grilovaní

- Malé alebo stredné porcie na grilovanie dajte do správnej polohy na policu pod grilovací ohrievač.
- Nastavte želanú teplotu.
- Po polovici času grilovania otočte jedlo.

## Používanie hodín rúry



- 1 Tlačidlo programu
- 2 Symbol doby varenia
- 3 Symbol skončenia doby varenia
- 4 Symbol Alarm
- 5 Tlačidlo mínus
- 6 Tlačidlo plus
- 7 Nastavenie jasu obrazovky
- 8 Hlasitosť alarmu
- 9 Aktuálny čas
- 10 Symbol uzamknutia tlačidiel
- 11 Tlačidlo nastavenia

	Maximálny čas, ktorý môžete nastaviť na ukončenie varenia, je 5 hodín a 59 minút. Program sa zruší v prípade výpadku prúdu. Rúru musíte preprogramovať.
	Počas vykonávania akýchkoľvek nastavení budú na displeji príslušné symboly. Musíte krátky čas počkať, kým sa nastavenia použijú.
	Ak nevykonáte žiadne nastavenie varenia, nebudete môcť nastaviť čas v rámci dňa.
	Čas varenia bude zobrazovať po spustení varenia.

### Varenie pomocou určenia času varenia:

Rúru môžete nastaviť tak, aby sa zastavila na konci určeného času, a to nastavením času varenia na hodinách.

1. Čas varenia nastavte stlačením tlačidla programu (1) a zapnutím symbolu času varenia (2).
2. Čas varenia nastavte stlačením tlačidiel „-“ a „+“ (5/6).

» Po nastavení času varenia sa bude neprerušovane zobrazovať symbol varenia.

### Ak chcete nastaviť čas skončenia varenia na neskorší čas:


Po nastavení času varenia na hodinách môžete čas skončenia varenia nastaviť na neskorší čas.

1. Čas varenia nastavte stlačením tlačidla programu (1) a zapnutím symbolu času varenia (2).
  2. Čas varenia nastavte pomocou tlačidiel mínus (5) a plus (6).
- » Symbol času varenia zostane po nastavení času varenia svietiť (neprerušovane zobrazený).
3. Ak chcete nastaviť čas skončenia varenia, stlačte tlačidlo programu (1) a aktivujte symbol času varenia (3).
  4. Čas skončenia varenia nastavte stlačením tlačidla - (5) a tlačidla + (6).

» Po nastavení času skončenia varenia bude symbol skončenia varenia a symbol varenia svietiť nepretržite. Symbol času skončenia varenia (3) zmizne hneď, ako varenie začne.

5. Vložte jedlo do rúry.
  6. Zvoľte prevádzkový režim a teplotu.
- » Časovač rúry automaticky prepočíta čas spustenia pomocou času skončenia varenia a doby varenia, ktoré ste nastavili. Vybraný prevádzkový režim sa aktivuje, keď nastane čas spustenia varenia a rúra sa zahreje na nastavenú teplotu. Túto teplotu uchováva až do času skončenia varenia.

7. Po dokončení varenia sa na displeji zobrazí hlásenie „End“ (Koniec) a zaznie alarm.
8. Signál alarmu bude znieť 2 minúty. Ak chcete signál alarmu vypnúť, stlačte ľubovoľné tlačidlo. Alarm sa stíši a zobrazí sa aktuálny čas.

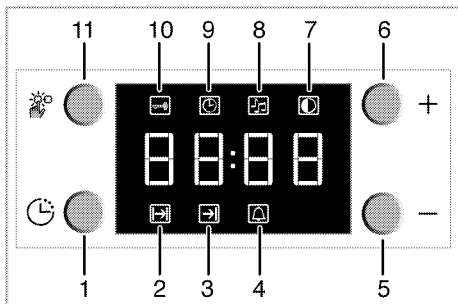
	Ak stlačením akéhokoľvek tlačidla stíšite alarm, znovu sa spustí prevádzka rúry. Ak stlačíte akékoľvek tlačidlo na konci doby upozornenia, znovu sa spustí prevádzka rúry.
---	---

9. Rúru vypnite pomocou gombíka teploty a funkčného gombíka.

### Používanie zámku tlačidiel

#### Zapnutie zámku tlačidiel

Aktivovaním funkcie zámky tlačidiel môžete predísť používaniu rúry.



- 1 Tlačidlo programu
- 2 Symbol doby varenia
- 3 Symbol skončenia doby varenia
- 4 Symbol Alarm
- 5 Tlačidlo mínus
- 6 Tlačidlo plus
- 7 Nastavenie jasu obrazovky
- 8 Hlasitosť alarmu
- 9 Aktuálny čas
- 10 Symbol uzamknutia tlačidiel
- 11 Tlačidlo nastavenia

1. Stlačením tlačidla (11) aktivujete symbol zámky tlačidiel (10).
- » Na displeji sa zobrazí hlásenie „OFF“ (VYP).
2. Stlačením tlačidla '+' (6) aktivujete zámku tlačidiel.
- » Po zapnutí zámky tlačidiel sa na displeji zobrazí hlásenie „On“ (Zap.) a symbol zámky tlačidiel (10) zostane svietiť.



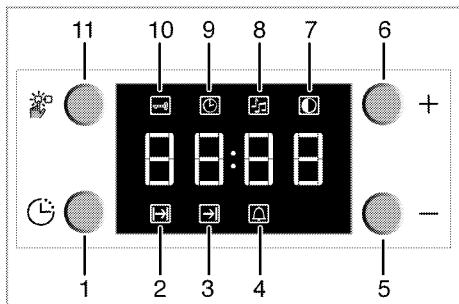
Po aktivácii funkcie zámky tlačidiel nemôžete používať tlačidlá ovládacieho panelu, okrem tlačidla (11).

### Vypnutie zámky tlačidiel

1. Stlačením tlačidla nastavenia (11) aktivujete symbol zámky tlačidiel (10).
- » Na displeji sa zobrazí hlásenie „On (Zap.)“.
2. Stlačením tlačidla '-' (5) deaktivujete zámku tlačidiel.
- » Po vypnutí zámky tlačidiel sa zobrazí hlásenie „OFF“ (VYP.).

### Používanie hodín ako budíka

Hodiny výrobku môžete používať na akékoľvek výstrahy alebo pripomienky, mimo programov varenia. Budík nemá žiaden vplyv na funkcie rúry. Používa sa iba ako forma varovania. Toto je napríklad užitočné vtedy, keď chcete jedlo v rúre otočiť v určenom časovom bode. Budík vydá signál po uplynutí nastaveného času.



- 1 Tlačidlo programu
- 2 Symbol doby varenia
- 3 Symbol skončenia doby varenia
- 4 Symbol Alarm
- 5 Tlačidlo mínus
- 6 Tlačidlo plus
- 7 Nastavenie jasu obrazovky
- 8 Hlasitosť alarmu
- 9 Aktuálny čas
- 10 Symbol uzamknutia tlačidiel
- 11 Tlačidlo nastavenia

### Nastavenie budíka

1. Symbol času alarmu (4) aktivujete stlačením tlačidla programu (1).



Maximálny čas alarmu môže byť 23 hodín a 59 minút.

2. Čas alarmu nastavte pomocou tlačidiel mínus (5) a plus (6).
- » Po nastavení času alarmu zostane symbol alarmu svietiť a na displeji sa zobrazí čas alarmu.
3. Na konci času alarmu začne symbol času alarmu (4) blikať a zaznie signál alarmu.

### Vypnutie alarmu

1. Ak chcete alarm vypnúť, stlačte ľubovoľné tlačidlo.
- » Alarm sa stíši a zobrazí sa aktuálny čas.

### Ak chcete alarm zrušiť:

1. Ak chcete čas alarmu vynulovať, stlačením tlačidla programu (1) aktivujte symbol času alarmu (4).
2. Stlačte tlačidlo mínus (5) a podržte ho, pokiaľ sa nezobrazí „00:00“.



Zobrazí sa čas budíka. Ak súčasne nastavíte čas alarmu a čas varenia, zobrazí sa kratší z časov.

### Zmena tónu alarmu

1. Symbol tónu alarmu (8) aktivujete stlačením tlačidla nastavenia (11).
2. Želaný tón nastavte pomocou tlačidiel mínus (5) a plus (6).
- » Zvolený tón alarmu sa na displeji zobrazí ako „b-01“, „b-02“ alebo „b-03“.

## Harmonogramy varenia



Časy uvedené v tejto tabuľke sú myslené ako usmernenie. Časy sa môžu odlišovať v závislosti od teploty jedla, hrúbky, typu a vašich vlastných preferencií varenia.

## Pečenie a opekanie



1. podstavec rúry je **spodný** podstavec.

Jedlo	Číslo úrovne varenia		Pozícia stojana	Teplota (°C)	Čas varenia (približne v min.)
Koláče na plechu*	Jedna úroveň	☐	4	175	30 ... 35
Koláče vo forme*	Jedna úroveň	☒	2	180	40 ... 50
Koláče v papierí na pečenie*	Jedna úroveň	☐	3	175	25 ... 30
	2 úrovne	☒	1 - 5	175	30 ... 40
	3 úrovne	☒	1 - 3 - 5	180	45 ... 55
Piškótový koláč*	Jedna úroveň	☐	3	200	5 ... 10
	2 úrovne	☒	1 - 5	175	18 ... 25
Koláčiky*	Jedna úroveň	☐	3	175	20 ... 25
	2 úrovne	☒	1 - 5	175	25 ... 30
	3 úrovne	☒	1 - 3 - 5	175	30 ... 40
Kysnuté cesto*	Jedna úroveň	☐	2	200	30 ... 40
	2 úrovne	☒	1 - 5	200	45 ... 55
	3 úrovne	☒	1 - 3 - 5	200	55 ... 65
Bohaté pečivo*	Jedna úroveň	☐	2	200	25 ... 35
	2 úrovne	☒	1 - 5	200	30 ... 40
	3 úrovne	☒	1 - 3 - 5	190	40 ... 50
Droždie*	Jedna úroveň	☐	2	200	35 ... 45
	2 úrovne	☒	1 - 3	200	35 ... 45
Lazane*	Jedna úroveň	☐	2 - 3	200	30 ... 40
Pizza*	Jedna úroveň	☐	2	200 ... 220	15 ... 20
Hovädzi stejk (celý)/opekané mäso	Jedna úroveň	☒	3	25 min. 250/max., potom 180... 190	100 ... 120
Jahňacie stehno (v kastróle)	Jedna úroveň	☒	3	25 min. 250/max., potom 190	70 ... 90
Pečené kura	Jedna úroveň	☒	2	15 min. 250/max., potom 180... 190	65 ... 70
	Jedna úroveň	☒	2	15 min. 250/max., potom 180... 190	55 ... 65
Moriak (5,5 kg)	Jedna úroveň	☒	2	25 min. 250/max., potom 180... 190	150 ... 210
	Jedna úroveň	☒	2	25 min. 250/max., potom 180... 190	150 ... 210
Ryby	Jedna úroveň	☒	3	200	20 ... 30
	Jedna úroveň	☒	3	200	20 ... 30

Počas súčasného pečenia s 2 plechmi umiestnite hlbší plech na horný podstavec a ten druhý plech na spodný podstavec.  
 \* Odporúčame vám, aby ste všetky potraviny predhriali.

(\*\*) Pri varení, ktoré vyžaduje predhrievanie, predhrievajte na začiatku varenia, kým sa nevypne kontrolka termostatu.

### Tipy na pečenie koláčov

- Ak je koláč príliš suchý, zvýšte teplotu o 10 °C a skráťte dobu varenia.
- Ak je koláč vlhký, použite menej tekutiny alebo znížte teplotu o 10 °C.
- Ak je koláč na hornej strane príliš tmavý, položte ho na nižší podstavec, znížte teplotu a predĺžte dobu varenia.

- Ak je dobre upečený zvnútra, ale je lepkavý na vonkajšej strane, použite menej kvapaliny, znížte teplotu a predĺžte dobu pečenia.

### Tipy na pečenie pečiva

- Ak je pečivo príliš suché, zvýšte teplotu o 10 °C a skráťte dobu varenia. Navlhčite vrstvy cesta omáčkou zloženou z mlieka, oleja, vajíčok a jogurtu.

- Ak pečenie pečiva trvá príliš dlho, dávajte pozor, aby hrúbka pečiva, ktoré ste si pripravili, nepresahuje hĺbku plechu.
- Ak horná strana pečiva zhnedne, ale dolná nie je upečená, uistite sa, že množstvo šľavy, ktoré ste použili na pečivo nie je na dolnej strane pečiva príliš veľké. Pokúste sa rozmiestniť omáčku rovnomerne medzi vrstvami cesta a na hornej strane pečiva, aby pečivo rovnomerne zhnedlo.



Pečivo pečte v súlade s režimom a teplotou uvedenou v tabuľke varenia. Ak spodná strana nie je stále dostatočne hnedá, umiestnite ho nabudúce na podstavec o jednu úroveň nižšie.

### Tipy pre varenie zeleniny

- Ak sa jedlu zo zeleniny míňa šľava a začína byť suché, uvarte ho v panvici s vekom namiesto plechu. Uzatvorené nádoby uchovávajú šľavu v jedle.
- Ak sa zeleninové jedlo neuvarí, prevarte si zeleninu vopred alebo ho pripravte ako jedlo z konzervy a vložte ho do rúry.

### Prevádzka grilu



#### VAROVANIE

Počas grilovania zatvorte dverka rúry. Horúce povrchy môžu spôsobiť popáleniny!

### Zapnutie grilu

1. Funkčný gombík otočte na želaný symbol grilovania.
  2. Potom vyberte želanú teplotu grilovania.
  3. V prípade potreby vykonávajte predhrievanie približne 5 minút.
- » Rozsvieti sa kontrolka teploty.

### Vypnutie grilu

1. Funkčný gombík otočte do vypnutej (hornej) polohy.



Potraviny, ktoré nie sú vhodné na grilovanie, predstavujú riziko požiaru. Grilujte iba jedlo, ktoré je vhodné na intenzívne teplo pri grilovaní. Jedlo neumiestňujte príliš ďaleko do zadnej časti grilu. Toto je najhorúcejšie miesto a masné jedlo sa môže vznietiť.

## Varné harmonogramy pre grilovanie

### Grilovanie na elektrickom grile


Jedlo	Úroveň vsunutia	Čas grilovania (približne)
Ryby	4..5	20...25 min. #
Kuracie plátky	4...5	25...35 min.
Jahňacie kotlety	4..5	20...25 min.
Pečené mäso	4...5	25...30 min. #
Tefacie kotlety	4...5	25...30 min. #
Hriankový chlieb	4	1...2 min.


# v závislosti od hrúbky

## 7 Údržba a starostlivosť


### Všeobecné informácie


V prípade pravidelného čistenia sa životnosť produktu predlží a zníži sa množstvo častých problémov.

 **NEBEZPEČENSTVO:**  
Pred začatím údržby a čistenia odpojte výrobok od zdroja napájania.  
Hrozí riziko zásahu elektrickým prúdom!

 **NEBEZPEČENSTVO:**  
Pred čistením výrobku ho nechajte vychladnúť.  
Horúce povrchy môžu spôsobiť popáleniny!

- Po každom použití produkt dôkladne vyčistite. Týmto spôsobom môžete oveľa ľahšie odstrániť možné zvyšky jedál, pretože zabránite ich pripáleniu pri ďalšom použití spotrebiča.
- Na čistenie produktu nie sú potrebné žiadne zvláštne čistiace prípravky. Na čistenie produktu použite teplú vodu s čistiacim prostriedkom, jemnú látku alebo špongiu a utrite ju suchou látkou.
- Po čistení sa vždy ubezpečte, že ste dôkladne zotrelí všetku nadmernú kvapalinu a okamžite dosucha utrite všetky rozliatia.
- Na čistenie nehrdzavejúcich alebo neoxidujúcich povrchov a rúčky nepoužívajte čistiace prostriedky, ktoré obsahujú kyseliny alebo chloridy. Tieto časti očistite tak, že ich utriete jemnou látkou s tekutým saponátom (nie drsným), pričom musíte dávať pozor, aby ste ich utierali jedným smerom.
- Na čistenie skleneného krytu nepoužívajte škrabky z pevných kovov a ani drsné čistiace látky. Môže dôjsť k poškodeniu skleneného povrchu.

 Niektoré saponáty alebo čistiace látky môžu poškodiť povrch.  
Počas čistenia nepoužívajte agresívne saponáty, čistiace prášky/krémy, ani žiadne ostré predmety.  
Na čistenie skla na dvierkach rúry nepoužívajte hrubé drsné čistiace prostriedky alebo ostré kovové škrabky, pretože môžu poškriabať povrch, čo môže mať za následok rozbitie skla.

 Na čistenie zariadenia nepoužívajte parné čističe, pretože by to mohlo spôsobiť zásah elektrickým prúdom.


### Čistenie platne

#### Plynové platne

- Odmontujte a očistite držiaky panvíc a uzávery horákov.
- Vyčistite platňu.
- Namontujte uzávery horákov a ubezpečte sa, že ste ich správne umiestnili.
- Pri montáži horných roštov dávajte pozor, aby ste držiaky panvíc umiestnili tak, že horáky budú vycentrované.

### Čistenie ovládacieho panela

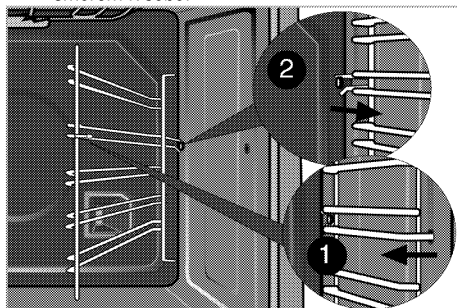
Ovládací panel a gombíky vyčistite vlhkou tkaninou a utrite ich dosucha.

 Pri čistení ovládacieho panela neodstraňujte ovládacie tlačidlá/gombíky.  
Ovládací panel by sa mohol poškodiť!

### Čistenie rúry


#### Ak chcete vyčistiť bočnú stenu

- Odstraňte prednú časť bočného podstavca jeho potiahnutím smerom od bočnej steny.
- Úplne vyberte bočný podstavec jeho potiahnutím smerom k sebe.



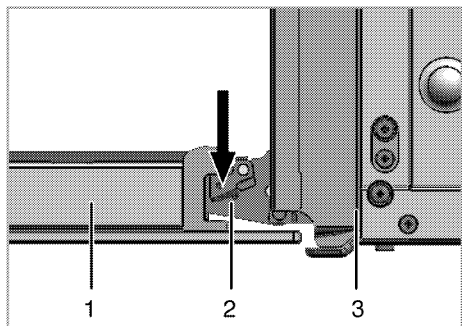
#### Čistenie dvierok rúry

Ak chcete očistiť dvierka rúry, produkt očistite pomocou teplej vody s čistiacim prostriedkom, jemnej látky alebo špongie a utrite ho suchou látkou.

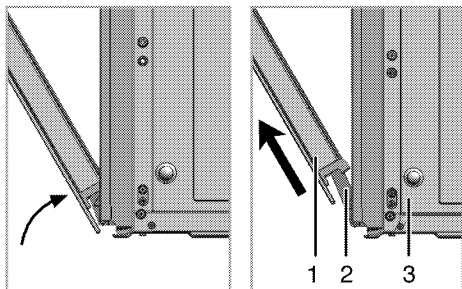
 Na čistenie dvierok rúry nepoužívajte žiadne drsné, abrazívne čistiace prostriedky, ani kovové škrabky. Môžu poškriabať povrch a poškodiť sklo.

### Odstránenie dvierok rúry

- Otvorte predné dvierka (1).
- Otvorte svorky na kryte pántov (2) na pravej a ľavej strane predných dvierok tak, že ich stlačíte nadol tak, ako je to znázornené na obrázku.



- 1 Predné dverka
- 2 Pánt
- 3 Rúra



- 3. Pootvorte do polovice predné dverka.
- 4. Predné dverka vyberte tak, že ich vyťahnete nahor, aby sa uvoľnili z pravého a ľavého pántu.

**i** Kroky vykonané počas procesu odstránenia dverok vykonajte pri montáži dverok v opačnom poradí. Nezabudnite zatvoriť svorky na kryte pántov, keď znovu nasadzujete dverka.

## Výmena žiarovky v rúre



### NEBEZPEČENSTVO:

Pred výmenou žiarovky v rúre sa uistite, že výrobok je odpojený zo siete a že je vychladnutý, aby ste predišli riziku zásahu elektrickým prúdom. Horúce povrchy môžu spôsobiť popáleniny!



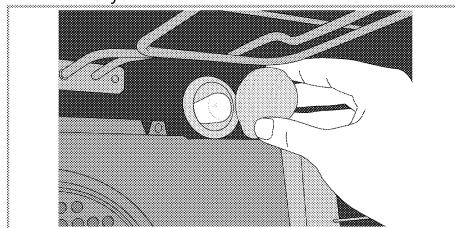
Osvetlenie rúry je špeciálna elektrická žiarovka, ktorá odoláva teplotám až do 300 °C. Podrobnosti nájdete v časti *Technické parametre, strana 12*. Svetlá do rúry môžete získať u vášho autorizovaného servisného zástupcu.



Poloha svetla sa môže líšiť od toho, ktoré je zobrazené na obrázku.

### Ak je vaša rúra vybavená okrúhlym svetlom:

1. Výrobok odpojte zo siete.
2. Sklený kryt vyberte otáčaním proti smeru hodinových ručičiek.



3. Svetlo rúry vyberte jeho otáčaním proti smeru hodinových ručičiek a vymeňte ho za nové.
4. Namontujte sklený kryt.

## 8 Riešenie problémov

### Rúra emituje počas používania paru.

- Je to normálne, počas prevádzky uniká para. >>> *Nejde o poruchu.*

### Počas ohrievania a chladenia vydáva produkt kovové zvuky.

- Keď sa kovové diely zahrejú, môžu sa roztrhnúť a vydávať zvuky. >>> *Nejde o poruchu.*

### Produkt nepracuje.

- Sieťová poistka je chybná alebo sa prepálila. >>> *Skontrolujte poistky v poistkovej skrinke. Ak je to nutné, vymeňte ich alebo ich prepnite.*
- Výrobok nie je zapojený do (uzemnenej) zásuvky. >>> *Skontrolujte pripojenie zástrčky.*
- Tlačidlá/gombíky/prepínače na ovládacom paneli nefungujú. >>> *Môže byť zapnuté uzamknutie tlačidiel. Vypnite ho. (Pozrite si časť Používanie zámku tlačidiel, strana 22)*

### Osvetlenie rúry nefunguje.

- Svetlo v rúre je chybné. >>> *Vymeňte svetlo v rúre.*
- Došlo k výpadku prúdu. >>> *Skontrolujte, či je prítomný prúd. Skontrolujte poistky v poistkovej skrinke. Ak je to nutné, poistky vymeňte alebo ich prepnite.*

### Rúra sa nezohrieva.

- Nie je nastavená funkcia a/alebo teplota. >>> *Pomocou gombíka/tlačidla funkcie a/alebo teploty nastavte funkciu a teplotu.*
- Na modeloch vybavených časovačom nie je časovač nastavený. >>> *Nastavte čas. (Pri produktoch s mikrovlnnou rúrou ovláda časovač len mikrovlnnú rúru.)*
- Došlo k výpadku prúdu. >>> *Skontrolujte, či je prítomný prúd. Skontrolujte poistky v poistkovej skrinke. Ak je to nutné, poistky vymeňte alebo ich prepnite.*

### Chýba zapalovacia iskra.

- Bez prúdu. >>> *Skontrolujte poistky v poistkovej skrinke.*
- Čas nie je nastavený. >>> *Nastavte čas.*

### Nie je prítomný plyn.

- Hlavný plynový ventil je zatvorený. >>> *Otvorte plynový ventil.*
- Plynové vedenie je ohnuté. >>> *Plynové vedenie namontujte správne.*

### Horáky nehoria správne alebo nehoria vôbec.

- Horáky sú znečistené. >>> *Očistite komponenty horákov.*
- Horáky sú mokré. >>> *Vysušte komponenty horákov.*
- Uzáver horáku nie je bezpečne namontovaný. >>> *Uzáver horáku namontujte správne.*
- Plynový ventil je zatvorený. >>> *Otvorte plynový ventil.*
- Plynová fľaša je prázdna (pri používaní LPG). >>> *Vymeňte plynovú fľašu.*

### (Na modeloch s časovačom) Displej hodín bliká alebo svieti symbol hodín.

- Predtým došlo k výpadku prúdu. >>> *Nastavte čas/Výrobok vypnite a potom ho znovu zapnite.*



Ak problém nedokážete odstrániť, hoci ste postupovali podľa pokynov uvedených v tejto časti, obráťte sa na autorizovaného servisného technika alebo predajcu, u ktorého ste si zakúpili výrobok. Nikdy sa nepokúšajte sami opraviť pokazený výrobok.