

GNE114612 X

GNE114613X

Refrigerator
Réfrigérateur
Køleskab
Frigorífico
Chłodziarka
Chladnička
Kühlschrank
Frigorifero
Frigorífico
Koelkast
Hűtőszekrény
Kylskåp
Hladilnik
Chladnička
Kjøleskap
Jääkaappi
Хладилник

BEKO

Please read this manual first!

Dear Customer,

We hope that your product, which has been produced in 1st class manufacturing facilities and checked under the most meticulous quality control procedures, will provide

you with years of good service.

For this, we recommend you to carefully read the entire manual of your product before using it and keep it at hand for future references.

This manual

- Will help you use your appliance in a fast and safe way.
- Read the manual before installing and operating your product.
- Follow the instructions, especially those for safety.
- Keep the manual in an easily accessible place as you may need it later.
- Besides, read also the other documents provided with your product.

Please note that this manual may be valid for other models as well.

Symbols and their descriptions

This instruction manual contains the following symbols:

- ❗ Important information or useful usage tips.
- ⚠ Warning against dangerous conditions for life and property.
- ⚡ Warning against electric voltage.



This product is supplied with the selective sorting symbol for waste electrical and electronic equipment (WEEE).

This means that this product must be handled pursuant to European Directive 2002/96/EC in order to be recycled or dismantled to minimise its impact on the environment. For further information, please contact your local or regional authorities.

Electronic products not included in the selective sorting process are potentially dangerous for the environment and human health due to the presence of hazardous substances.



This product was manufactured using the latest technology in environmentally friendly conditions.

CONTENTS

1 Your refrigerator **3**

2 Important Safety Warnings**4**

Intended use	4
For products with a water dispenser; ..	6
Child safety.....	6
HCA Warning	6
Things to be done for energy saving ..	7
Recommenations for freshfood compartment.....	7

3 Installation **8**

Preparation.....	8
Points to be considered when re- transporting your refrigerator	8
Changing the illumination lamp	8
Before operating your refrigerator	9
Electric connection	9
Disposing of the packaging	9
Disposing of your old refrigerator	9
Placing and Installation	10
Floor balance adjustment	10
Adjusting the gap between the upper door	11

4 Using your refrigerator **12**

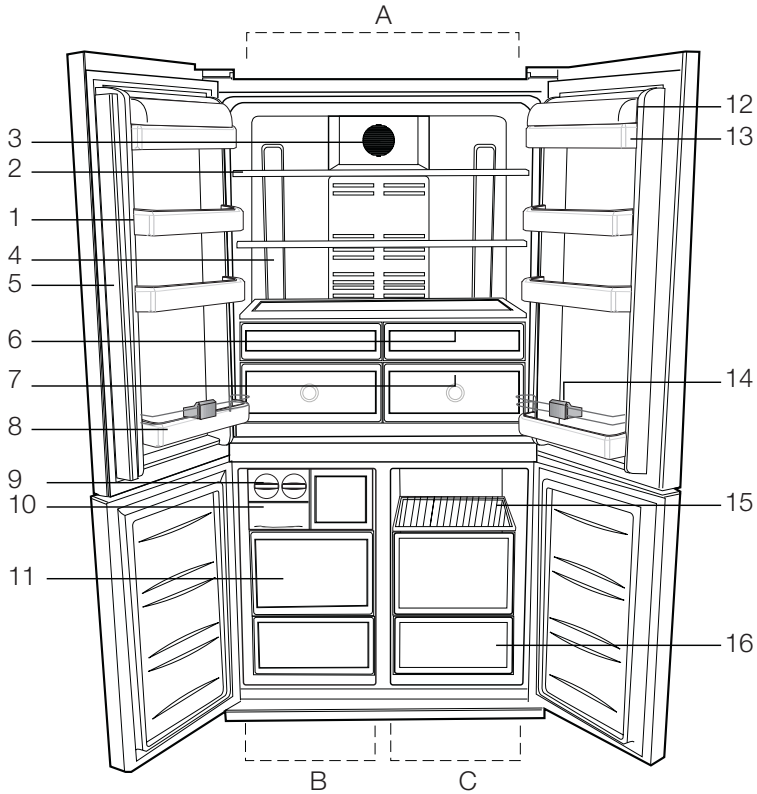
Indicator Panel.....	12
Door Open Alarm:	14
Egg tray.....	15
Sliding Body Shelves	15
Crisper	15
Chiller compartment	15
Movable Middle Section	16
Multi Zone Storage Compartment ..	16
Blue light	16

5 Maintenance and cleaning **17**

Protection of plastic surfaces	17
--------------------------------------	----

6 Recommended solutions for the problems **18**

1 Your refrigerator



- A- Fridge compartment
- B- Freezer compartment
- C- Multi Zone

- | | |
|--|--------------------------------------|
| 1- Fridge compartment door shelves | 8- Bottle shelf |
| 2- Fridge compartment adjustable cabinet shelves | 9- Icematic |
| 3- Diffuser cover | 10- Icebox |
| 4- Illumination lens | 11- Frozen food storage compartments |
| 5- Rotating middle section | 12- Butter & Cheese shelf cover |
| 6- Chiller compartment | 13- Butter & Cheese shelf |
| 7- Crisper | 14- Bottle holder |
| | 15- Multi Zone compartment shelves |
| | 16- Multi Zone compartment |

i Figures that take place in this instruction manual are schematic and may not correspond exactly with your product. If the subject parts are not included in the product you have purchased, then it is valid for other models.

2 Important Safety Warnings

Please review the following information. Failure to observe this information may cause injuries or material damage. Otherwise, all warranty and reliability commitments will become invalid.

The usage life of the unit you purchased is 10 years. This is the period for keeping the spare parts required for the unit to operate as described.

Intended use

This product is intended to be used

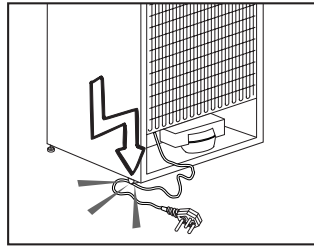
- indoors and in closed areas such as homes;
- in closed working environments such as stores and offices;
- in closed accommodation areas such as farm houses, hotels, pensions.
- This product should not be used outdoors.

General safety

- When you want to dispose/scrap the product, we recommend you to consult the authorized service in order to learn the required information and authorized bodies.
- Consult your authorized service for all your questions and problems related to the refrigerator. Do not intervene or let someone intervene to the refrigerator without notifying the authorised services.
- For products with a freezer compartment; Do not eat cone ice cream and ice cubes immediately after you take them out of the freezer compartment! (This may cause frostbite in your mouth.)
- For products with a freezer compartment; Do not put bottled and canned liquid beverages in the freezer compartment. Otherwise, these may burst.
- Do not touch frozen food by hand; they may stick to your hand.
- Unplug your refrigerator before cleaning or defrosting.
- Vapor and vaporized cleaning materials should never be used in cleaning and defrosting processes of your refrigerator. In such cases, the vapor may get in contact with the electrical parts and cause short circuit or electric shock.
- Never use the parts on your refrigerator such as the door as a means of support or step.
- Do not use electrical devices inside the refrigerator.
- Do not damage the parts, where the refrigerant is circulating, with drilling or cutting tools. The refrigerant that might blow out when the gas channels of the evaporator, pipe extensions or surface coatings are punctured causes skin irritations and eye injuries.
- Do not cover or block the ventilation holes on your refrigerator with any material.
- Electrical devices must be repaired by only authorised persons. Repairs performed by incompetent persons create a risk for the user.
- In case of any failure or during a maintenance or repair work, disconnect your refrigerator's mains supply by either turning off the relevant fuse or unplugging your appliance.

- Do not pull by the cable when pulling off the plug.
- Place the beverage with higher proofs tightly closed and vertically.
- Never store spray cans containing flammable and explosive substances in the refrigerator.
- Do not use mechanical devices or other means to accelerate the defrosting process, other than those recommended by the manufacturer.
- This product is not intended to be used by persons with physical, sensory or mental disorders or unlearned or inexperienced people (including children) unless they are attended by a person who will be responsible for their safety or who will instruct them accordingly for use of the product
- Do not operate a damaged refrigerator. Consult with the service agent if you have any concerns.
- Electrical safety of your refrigerator shall be guaranteed only if the earth system in your house complies with standards.
- Exposing the product to rain, snow, sun and wind is dangerous with respect to electrical safety.
- Contact authorized service when there is a power cable damage to avoid danger.
- Never plug the refrigerator into the wall outlet during installation. Otherwise, risk of death or serious injury may arise.
- This refrigerator is intended for only storing food items. It must not be used for any other purpose.
- Label of technical specifications is located on the left wall inside the refrigerator.

- Never connect your refrigerator to electricity-saving systems; they may damage the refrigerator.
- If there is a blue light on the refrigerator, do not look at the blue light with optical tools.
- For manually controlled refrigerators, wait for at least 5 minutes to start the refrigerator after power failure.
- This operation manual should be handed in to the new owner of the product when it is given to others.
- Avoid causing damage on power cable when transporting the refrigerator. Bending cable may cause fire. Never place heavy objects on power cable. Do not touch the plug with wet hands when plugging the product.



- Do not plug the refrigerator if the wall outlet is loose.
- Water should not be sprayed directly on inner or outer parts of the product for safety purposes.
- Do not spray substances containing inflammable gases such as propane gas near the refrigerator to avoid fire and explosion risk.
- Never place containers filled with water on top of the refrigerator, otherwise this may cause electric shock or fire.
- Do not overload your refrigerator with excessive amounts of food.

If overloaded, the food items may fall down and hurt you and damage refrigerator when you open the door. Never place objects on top of the refrigerator; otherwise, these objects may fall down when you open or close the refrigerator's door.

- As they require a precise temperature, vaccines, heat-sensitive medicine and scientific materials and etc. should not be kept in the refrigerator.
- If not to be used for a long time, refrigerator should be unplugged. A possible problem in power cable may cause fire.
- The plug's tip should be regularly cleaned; otherwise, it may cause fire.
- The plug's tip should be cleaned regularly with a dry cloth; otherwise, it may cause fire.
- Refrigerator may move if adjustable legs are not properly secured on the floor. Properly securing adjustable legs on the floor can prevent the refrigerator to move.
- When carrying the refrigerator, do not hold it from door handle. Otherwise, it may be snapped.
- When you have to place your product next to another refrigerator or freezer, the distance between devices should be at least 8cm. Otherwise, adjacent side walls may be humidified.

For products with a water dispenser;

Pressure of water mains should be minimum 1 bar. Pressure of water mains should be maximum 8 bars.

- Use only potable water.

Child safety

- If the door has a lock, the key should be kept away from reach of children.
- Children must be supervised to prevent them from tampering with the product.

HCA Warning

If your product's cooling system contains R600a:

This gas is flammable. Therefore, pay attention to not damaging the cooling system and piping during usage and transportation. In the event of damage, keep your product away from potential fire sources that can cause the product catch a fire and ventilate the room in which the unit is placed.

Ignore this warning if your product's cooling system contains R134a.

Type of gas used in the product is stated in the type plate which is on the left wall inside the refrigerator.

Never throw the product in fire for disposal.

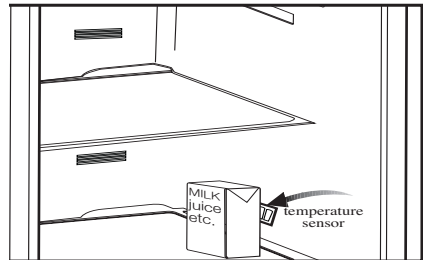
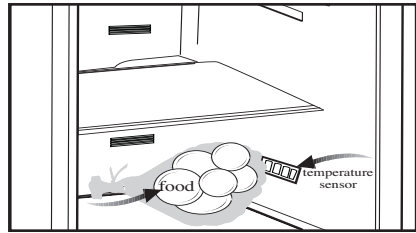
Things to be done for energy saving

- Do not leave the doors of your refrigerator open for a long time.
- Do not put hot food or drinks in your refrigerator.
- Do not overload your refrigerator so that the air circulation inside of it is not prevented.
- Do not install your refrigerator under direct sunlight or near heat emitting appliances such as ovens, dishwashers or radiators.
- Pay attention to keep your food in closed containers.
- For products with a freezer compartment; You can store maximum amount of food items in the freezer when you remove the shelf or drawer of the freezer. Energy consumption value stated for your refrigerator has been determined by removing freezer shelf or drawer and under maximum load. There is no harm to use a shelf or drawer according to the shapes and size of food to be frozen.
- Thawing frozen food in fridge compartment will both provide energy saving and preserve the food quality.

Recommenations for freshfood compartment

* OPTIONAL

- Please do not let any foodstuff to come to contact with the temperature sensor in freshfood compartment. In order to maintain freshfood compartment at ideal storage temperature, the sensor must not be blocked by fodstuffs.
- Do not place hot foodstuff in your appliance.



3 Installation

⚠ Please remember that the manufacturer shall not be held liable if the information given in the instruction manual is not observed.

Preparation

- Your refrigerator should be installed at least 30 cm away from heat sources such as hobs, ovens, central heater and stoves and at least 5 cm away from electrical ovens and should not be located under direct sunlight.
- The ambient temperature of the room where you install your refrigerator should at least be 10°C. Operating your refrigerator under cooler conditions than this is not recommended with regard to its efficiency.
- Please make sure that the interior of your refrigerator is cleaned thoroughly.
- If two refrigerators are to be installed side by side, there should be at least 2 cm distance between them.
- When you operate your refrigerator for the first time, please observe the following instructions during the initial six hours.
 - The door should not be opened frequently.
 - It must be operated empty without any food in it.
 - Do not unplug your refrigerator. If a power failure occurs out of your control, please see the warnings in the "Recommended solutions for the problems" section.

- Original packaging and foam materials should be kept for future transportations or moving.

Points to be considered when re-transporting your refrigerator

1. Your refrigerator must be emptied and cleaned prior to any transportation.
2. Shelves, accessories, crisper and etc. in your refrigerator must be fastened securely by adhesive tape against any jolt before repackaging.
3. Packaging must be tied with thick tapes and strong ropes and the rules of transportation printed on the package must be followed.

Please do not forget...

Every recycled material is an indispensable source for the nature and for our national resources.

If you wish to contribute to recycling the packaging materials, you can get further information from the environmental bodies or local authorities.

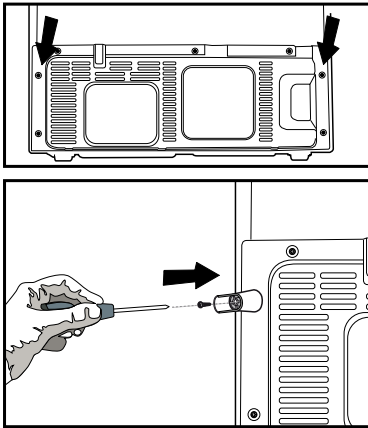
Changing the illumination lamp

To change the lamp used for illumination of your refrigerator, please call your Authorized Service.

Before operating your refrigerator

Before starting to use your refrigerator check the following:

1. Is the interior of the refrigerator dry and can the air circulate freely in the rear of it?
2. Insert the 2 plastic wedges onto the rear ventilation as illustrated in the following figure. Unscrew the existing ones and use the screws given in the same bag of wedges. Plastic wedges



will provide the required distance between your refrigerator and the wall in order to allow the air circulation.

3. Clean the interior of the refrigerator as recommended in the “Maintenance and cleaning” section.
4. Plug the refrigerator into the wall outlet. When the door is open the respective interior light will come on.
5. You will hear a noise as the compressor starts up. The liquid and gases sealed within the refrigeration system may also give rise to noise, even if the compressor is not running and this is quite normal.
6. Front edges of the refrigerator may feel warm. This is normal. These areas are designed to be warm to avoid condensation.

Electric connection

Connect your refrigerator to a grounded socket which is being protected by a fuse with the appropriate capacity.

Important:

- The connection must be in compliance with national regulations.
 - The power cable plug must be easily accessible after installation.
 - Voltage and allowable fuse protection are specified in the “Technical Specifications” section.
 - The specified voltage must be equal to your mains voltage.
 - Extension cables and multiway plugs must not be used for connection.
- ⚠ A damaged power cable must be replaced by a qualified electrician.
- ⚠ The appliance must not be operated before it is repaired! There is danger of electric shock!

Disposing of the packaging

The packing materials may be dangerous for children. Keep the packing materials out of the reach of children or dispose them of by classifying them in accordance with the waste instructions. Do not dispose them of along with the normal household waste.

The packing of your refrigerator is produced from recyclable materials.

Disposing of your old refrigerator

Dispose of your old machine without giving any harm to the environment.

- You may consult your authorized dealer or waste collection center of your municipality about the disposal of your refrigerator.

Before disposing of your refrigerator, cut out the electric plug and, if there are any locks on the door, make them inoperable in order to protect children against any danger.

Placing and Installation

Caution: Never plug the refrigerator into the wall outlet during installation. Otherwise, risk of death or serious injury may arise.

If the entrance door of the room where the refrigerator will be installed is not wide enough for the refrigerator to pass through, than call the authorized service to have them remove the doors of your refrigerator and pass it sideways through the door.

1. Install your refrigerator to a place that allows ease of use.
2. Keep your refrigerator away from heat sources, humid places and direct sunlight.
3. There must be appropriate air ventilation around your refrigerator in order to achieve an efficient operation. If the refrigerator is to be placed in a recess in the wall, there must be at least 5 cm distance with the ceiling and at least 5 cm with the wall.

If the floor is covered with a carpet, your product must be elevated 2.5 cm from the floor.

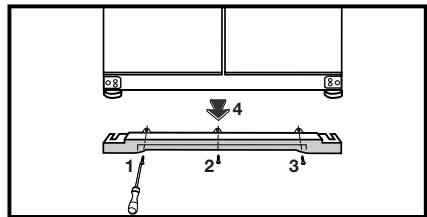
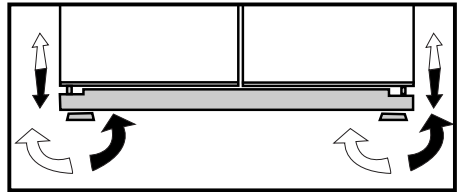
4. Place your refrigerator on an even floor surface to prevent jolts.

5. Do not keep your refrigerator in ambient temperatures under 10°C.

Floor balance adjustment

If your refrigerator is unbalanced;

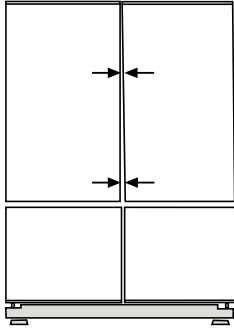
1- Ventilation cover is removed by unscrewing its screws as illustrated in the figure before the procedure. You can balance your refrigerator by turning the front legs of it as illustrated in the figure. The corner where the leg exists is lowered when you turn in the direction of black arrow and raised when you turn in the opposite direction. Taking help from someone to slightly lift the refrigerator will facilitate this process.



2. After the balance issue is remedied, install back the ventilation cover and fasten the screws.

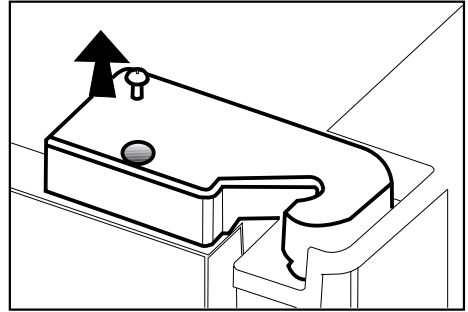
3. Remove the screws fastening the lower ventilation cover using a Phillips screwdriver.

Adjusting the gap between the upper door



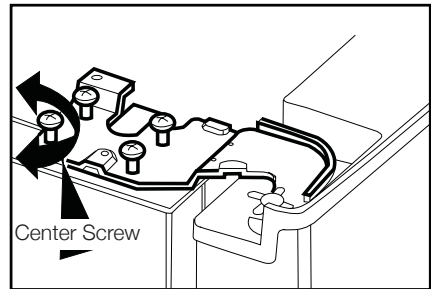
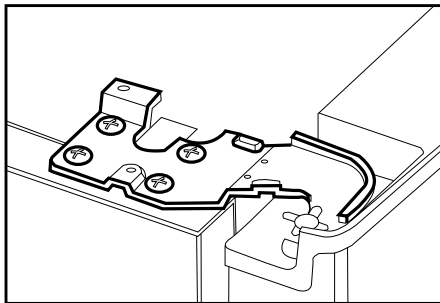
• You can adjust the gap between the fridge compartment doors as illustrated in the figures.

Door shelves should be empty when adjusting the door height.

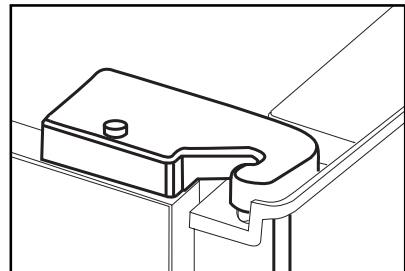
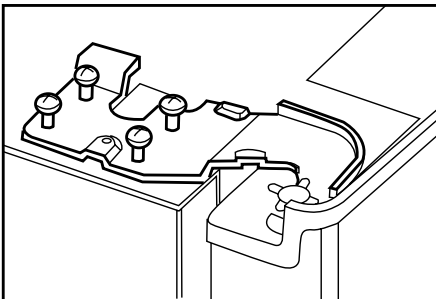


• Using a screwdriver, remove the screw of upper hinge cover of the door you want to adjust.

• Adjust the door as you desire by loosening the screws.



• Fix the door you have adjusted by tightening the screws without changing the position of the door.

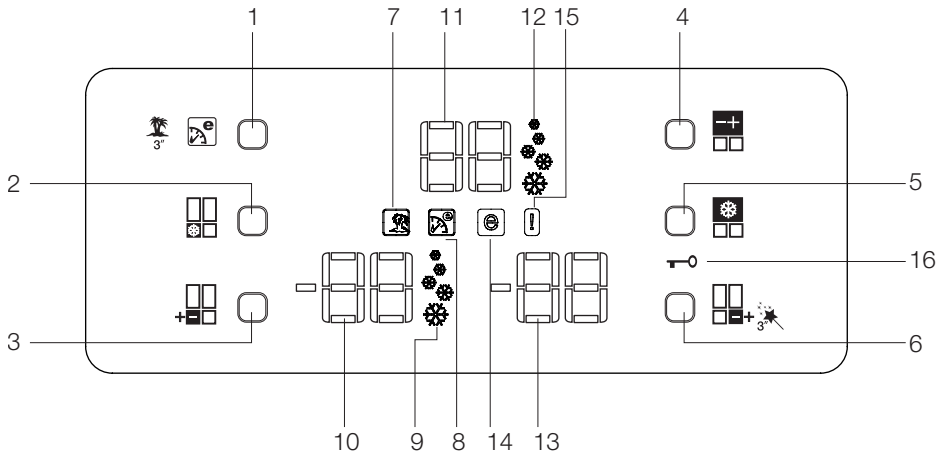


• Replace the hinge cover and fix with the screw.

4 Using your refrigerator

Indicator Panel

This touch-control indicator panel allows you to set the temperature without opening the door of your refrigerator. Just touch the relevant button with your finger to set the temperature.



- | | |
|---|---|
| 1. Eco Extra/Vacation Button | 9. Quick Freeze Function Indicator |
| 2. Fast Freeze Button | 10. Freezer Compartment Temperature Indicator |
| 3. Freezer Compartment Temperature Setting Button | 11. Fridge Compartment Temperature Indicator |
| 4. Fridge Compartment Temperature Setting Button | 12. Quick Cool Function Indicator |
| 5. Quick Cool Button | 13. Multi Zone Storage Compartment Temperature Indicator |
| 6. Multi Zone Storage Compartment Temperature Setting Button | 14. Economy Mode Indicator |
| 7. Vacation Function Indicator | 15. Error Status Indicator |
| 8. Eco Extra Function Indicator | 16. Key Lock Indicator |

i Figures that take place in this instruction manual are schematic and may not correspond exactly with your product. If the subject parts are not included in the product you have purchased, then it is valid for other models.

1. Eco Extra/Vacation Button

Press this button briefly to activate the Eco Extra function. Press and hold this button for 3 sec. to activate the Vacation function. Press this button again to deactivate the selected function.

2. Fast Freeze Button

Press this button briefly to activate the Fast Freeze function. Press this button again to deactivate the selected function.

3. Freezer Compartment Temperature Setting Button

Press this button to set the temperature of the freezer compartment to -18, -20, -22, -24, -18... respectively. Press this button to set the desired temperature for the Freezer Compartment.

4. Fridge Compartment Temperature Setting Button

Press this button to set the temperature of the fridge compartment to 8, 6, 4, 2, 8... respectively. Press this button to set the desired temperature for the Fridge Compartment.

5. Quick Cool Button

Press this button briefly to activate the Quick Cool function. Press this button again to deactivate the selected function.

6. Multi Zone Storage Compartment Temperature Setting Button

You can set the Multi Zone Storage

Compartment either as a Freezer or a Cooler. Press and hold this button for 3 sec. to set the Multi Zone Storage Compartment either as a Freezer or a Cooler. This compartment is set as a Freezer Compartment at factory.

If the Multi Zone Storage Compartment is set as a Freezer, then the temperature of the Multi Zone Storage Compartment will change as -18, -20, -22, -24, -18... respectively each time you press this button. If the Multi Zone Storage Compartment is set as a Cooler, then the temperature of the Multi Zone Storage Compartment will change as 10, 8, 6, 4, 2, 0, -6,... respectively each time you press this button.

7. Vacation Function Indicator

Indicates that the vacation function is active. If this function is active, \bar{i} - \bar{i} appears on the indicator of the fridge compartment and no cooling is performed in the fridge compartment. Other compartments will be cooled in accordance with the temperature set for them.

Press the relevant button again to deactivate this function.

8. Eco Extra Function Indicator

Indicates that the Eco Extra function is active. If this function is active, your refrigerator will automatically detect the least usage periods and energy-efficient cooling will be performed during those times. Economy indicator will be active while energy-efficient cooling is performed.

Press the relevant button again to deactivate this function.

9. Quick Freeze Function Indicator

Indicates that the Quick Freezer function is active. Use this function when you place fresh food into the freezer compartment or when you need ice. When this function is active, your refrigerator will run for 6 hours without stopping.

Press the relevant button again to deactivate this function.

10. Freezer Compartment Temperature Indicator

Indicates the temperature set for Freezer Compartment.

11. Fridge Compartment Temperature Indicator

Indicates the temperature set for Fridge Compartment.

12. Quick Cool Function Indicator

Indicates that the Quick Cool function is active. Use this function when you place fresh food into the fridge compartment or when you need to cool your food quickly. When this function is active, your refrigerator will run for 2 hours without stopping.

Press the relevant button again to deactivate this function.

13. Multi Zone Storage Compartment Temperature Indicator

Indicates the temperature set for Multi Zone storage compartment.

14. Economy Mode Indicator

Indicates that the refrigerator is running in energy-efficient mode. Freezer Compartment temperature

This indicator will be active if the function is set to -18 or the energy efficient cooling is being performed due to Eco-Extra function.

15. Error Status Indicator

If your refrigerator does not cool adequately or if there is a sensor failure, this indicator will be activated. When this indicator is active, Freezer Compartment Temperature indicator will display "E" and Fridge Compartment Temperature Indicator will display numbers such as "1,2,3...". These numbers on the indicator provides information about the error to the service personnel.

16. Key Lock Indicator

Use this function if you do not want your refrigerator temperature setting changed. Press Quick Cool Button and Multi Zone Storage Compartment Temperature Setting Button simultaneously for 3 sec. to activate this feature.

Press the relevant buttons again to deactivate this function.

Door Open Alarm:

If the either of the fridge compartment door or **Multi Zone** Storage Compartment door remains open for minimum 1 minutes, audio Door Open Alarm will be activated. Just press any button on the indicator or close the open door to silence the alarm.

Egg tray

You can install the egg holder to the desired door or body shelf.

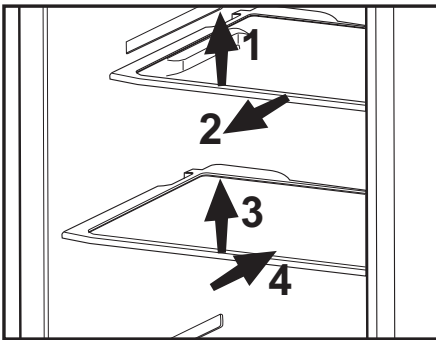
Never store the egg holder in the freezer compartment

Sliding Body Shelves

Sliding body shelves can be pulled by slightly lifting up from the front and moved back and forth. They come to a stop point when pulled towards front to allow you reach the foods placed at the back of the shelf; when it is pulled after slightly lifting upwards at the second stop point, the body shelf will be released.

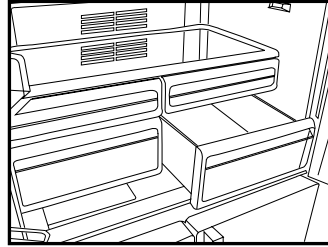
The shelf should be held tightly from the bottom as well in order to prevent it from tipping over. The body shelf is placed on the rails at the sides of the refrigerator body by bringing it to one lower or one upper level.

The body shelf should be pushed backwards to seat it completely.



Crisper

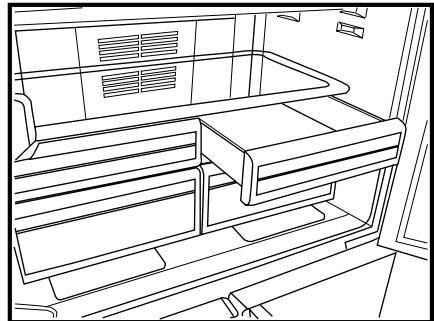
Crisper of your refrigerator is designed specially to keep your vegetables freshly without losing their humidity. For this purpose, cool air circulation occurs around the crisper in general.



Chiller compartment

Chiller compartments enable the foods to be frozen become ready for freezing. You can also use these compartments to store your food at a temperature a few degrees below the fridge compartment.

You can increase the inner volume of your refrigerator by removing any of the chiller compartments. To do this, pull the compartment towards yourself; the compartment will lean against the stopper and stop. This compartment will be released when you lift it about 1 cm and pull it towards yourself.



Movable Middle Section

Movable middle section is intended to prevent the cold air inside your refrigerator from escaping outside.

1- Sealing is provided when the gaskets on the door presses on the surface of the movable middle section while the fridge compartment doors are closed.

2- Another reason that your refrigerator is equipped with a movable middle section is that it increases the net volume of the fridge compartment. Standard middle sections occupy some non-usable volume in the refrigerator.

3- Movable middle section is closed when the left door of the fridge compartment is closed.

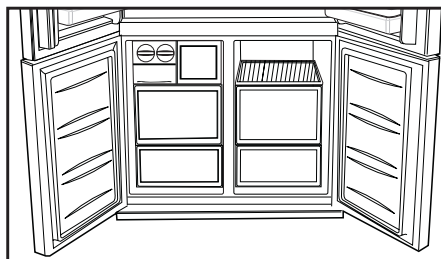
4- It must not be opened manually. It moves under the guidance of the plastic part on the body while the door is closed.

Multi Zone Storage Compartment

The Multi Zone Storage Compartment of your refrigerator may be used in any desired mode by adjusting it to fridge (2/4/6/8 °C) or freezer (-18/-20/-22/-24) temperatures. You can keep the compartment in the desired temperature with the Multi Zone Storage Compartment Temperature Setting Button. The temperature of the Multi Zone Storage Compartment may be set to 0 and 10 degrees in addition to the fridge compartment temperatures and to -6 degrees in addition to the freezer compartment temperatures. 0 degree is used to store the deli products longer, and -6 degrees is used to keep the meats

up to 2 weeks in an easily cuttable condition.

i The feature of switching to a Fridge or Freezer compartment is provided by a cooling element located in the closed section (Compressor Compartment) behind the refrigerator. During operation of this element, sounds similar to the sound of seconds heard from an analog clock may be heard. This is normal and is not fault cause.



Blue light

Foodstuff stored in the crispers that are enlightened with a blue light continue their photosynthesis by means of the wavelength effect of blue light and thus, preserve their freshness and increase their vitamin content.



5 Maintenance and cleaning

- ⚠ Never use gasoline, benzene or similar substances for cleaning purposes.
- ⚠ We recommend that you unplug the appliance before cleaning.
- ⚠ Never use any sharp abrasive instrument, soap, household cleaner, detergent and wax polish for cleaning.
- ℹ Use lukewarm water to clean the cabinet of your refrigerator and wipe it dry.
- ℹ Use a damp cloth wrung out in a solution of one teaspoon of bicarbonate of soda to one pint of water to clean the interior and wipe it dry.
- ⚠ Make sure that no water enters the lamp housing and other electrical items.
- ⚠ If your refrigerator is not going to be used for a long period of time, unplug the power cable, remove all food, clean it and leave the door ajar.
- ℹ Check door seals regularly to ensure they are clean and free from food particles.
- ⚠ To remove door racks, remove all the contents and then simply push the door rack upwards from the base.

Protection of plastic surfaces

- ℹ Do not put the liquid oils or oil-cooked meals in your refrigerator in unsealed containers as they damage the plastic surfaces of your refrigerator. In case of spilling or smearing oil on the plastic surfaces, clean and rinse the relevant part of the surface at once with warm water.

6 Recommended solutions for the problems

Please review this list before calling the service. It might save you time and money. This list includes frequent complaints that are not arising from defective workmanship or material usage. Some of the features described here may not exist in your product.

The refrigerator does not operate.

- Is the refrigerator properly plugged in? Insert the plug to the wall socket.
- Is the fuse of the socket which your refrigerator is connected to or the main fuse blown out? Check the fuse.

Condensation on the side wall of the fridge compartment (MULTIZONE, COOL CONTROL and FLEXI ZONE).

- Very cold ambient conditions. Frequent opening and closing of the door. Highly humid ambient conditions. Storage of food containing liquid in open containers. Leaving the door ajar. Switching the thermostat to a colder degree.
- Decreasing the time the door left open or using it less frequently.
- Covering the food stored in open containers with a suitable material.
- Wipe the condensation using a dry cloth and check if it persists.

Compressor is not running

- Protective thermic of the compressor will blow out during sudden power failures or plug-out plug-ins as the refrigerant pressure in the cooling system of the refrigerator has not been balanced yet. Your refrigerator will start running approximately after 6 minutes. Please call the service if the refrigerator does not startup at the end of this period.
- The fridge is in defrost cycle. This is normal for a full-automatically defrosting refrigerator. Defrosting cycle occurs periodically.
- Your refrigerator is not plugged into the socket. Make sure that the plug is properly fit into the socket.
- Are the temperature adjustments correctly made?
- Power might be cut off.

The fridge is running frequently or for a long time.

- Your new product may be wider than the previous one. This is quite normal. Large refrigerators operate for a longer period of time.
- The ambient room temperature may be high. This is quite normal.
- The refrigerator might have been plugged in recently or might have been loaded with food. Cooling down of the refrigerator completely may last for a couple of hours longer.
- Large amounts of hot food might have been put in the refrigerator recently. Hot food causes longer running of the refrigerator until they reach the safe storage temperature.
- Doors might have been opened frequently or left ajar for a long time. The warm air that has entered into the refrigerator causes the refrigerator to run for longer periods. Open the doors less frequently.
- Freezer or fridge compartment door might have been left ajar. Check if the doors are tightly closed.
- The refrigerator is adjusted to a very low temperature. Adjust the refrigerator temperature to a warmer degree and wait until the temperature is achieved.
- Door seal of the fridge or freezer may be soiled, worn out, broken or not properly seated. Clean or replace the seal. Damaged/broken seal causes the refrigerator to run for a longer period of time in order to maintain the current temperature.

Freezer temperature is very low while the fridge temperature is sufficient.

- The freezer temperature is adjusted to a very low temperature. Adjust the freezer temperature to a warmer degree and check.

Fridge temperature is very low while the freezer temperature is sufficient.

- The fridge temperature might have been adjusted to a very low temperature. Adjust the fridge temperature to a warmer degree and check.

Food kept in the fridge compartment drawers are freezing.

- The fridge temperature might have been adjusted to a very low temperature. Adjust the fridge temperature to a warmer degree and check.

Temperature in the fridge or freezer is very high.

- The fridge temperature might have been adjusted to a very high degree. Fridge adjustment has an effect on the temperature of the freezer. Change the temperature of the fridge or freezer until the fridge or freezer temperature reaches to a sufficient level.
- Doors might have been opened frequently or left ajar for a long time; open them less frequently.
- Door might have been left ajar; close the door completely.
- Large amount of hot food might have been put in the refrigerator recently. Wait until the fridge or freezer reaches the desired temperature.
- The refrigerator might have been plugged in recently. Cooling down of the refrigerator completely takes time.

The operation noise increases when the refrigerator is running.

- The operating performance of the refrigerator may change due to the changes in the ambient temperature. It is normal and not a fault.

Vibrations or noise.

- The floor is not even or it is weak. The refrigerator rocks when moved slowly. Make sure that the floor is strong enough to carry the refrigerator, and level.
- The noise may be caused by the items put onto the refrigerator. Items on top of the refrigerator should be removed.

There are noises coming from the refrigerator like liquid spilling or spraying.

- Liquid and gas flows happen in accordance with the operating principles of your refrigerator. It is normal and not a fault.

There is a noise like wind blowing.

- Fans are used in order to cool the refrigerator. It is normal and not a fault.

Condensation on the inner walls of refrigerator.

- Hot and humid weather increases icing and condensation. It is normal and not a fault.
- Doors might have been left ajar; make sure that the doors are closed fully.
- Doors might have been opened frequently or left ajar for a long time; open them less frequently.

Humidity occurs on the outside of the refrigerator or between the doors.

- There might be humidity in the air; this is quite normal in humid weather. When the humidity is less, condensation will disappear.

Bad odour inside the refrigerator.

- Inside of the refrigerator must be cleaned. Clean the inside of the refrigerator with a sponge, lukewarm water or carbonated water.
- Some containers or package materials might cause the smell. Use a different container or different brand packaging material.

The door is not closing.

- Food packages may prevent the door's closing. Replace the packages that are obstructing the door.
- The refrigerator is not completely upright on the floor and rocking when slightly moved. Adjust the elevation screws.
- The floor is not level or strong. Make sure that the floor is level and capable to carry the refrigerator.

Crispers are stuck.

- The food might be touching the ceiling of the drawer. Rearrange food in the drawer.

Veillez d'abord lire la notice d'utilisation !

Chère cliente, cher client,

Nous espérons que votre produit, qui a été fabriqué dans des usines modernes et vérifié au terme des procédures de contrôle de qualité les plus méticuleuses, vous aidera efficacement.

Pour cette raison, nous vous conseillons de lire attentivement tout le manuel d'utilisation de votre produit avant de vous en servir, et de le conserver ensuite pour une utilisation ultérieure.

Le présent manuel

- vous aidera à utiliser votre produit avec rapidité et sécurité.
 - Lisez le manuel avant d'installer et de faire fonctionner votre produit.
 - Respectez les instructions, notamment celles relatives à la sécurité.
 - Conservez ce manuel dans un endroit facilement accessible car vous pouvez en avoir besoin ultérieurement.
 - En plus, lisez également les autres documents fournis avec votre produit.
- Veillez noter que ce manuel peut également être valide pour d'autres modèles.

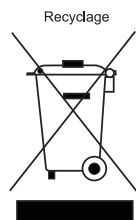
Symboles et descriptions

Vous retrouverez les symboles suivants dans le présent manuel :

 Informations importantes ou astuces.

 Avertissement relatif aux conditions dangereuses pour la vie et la propriété.

 Avertissement relatif à la tension électrique.

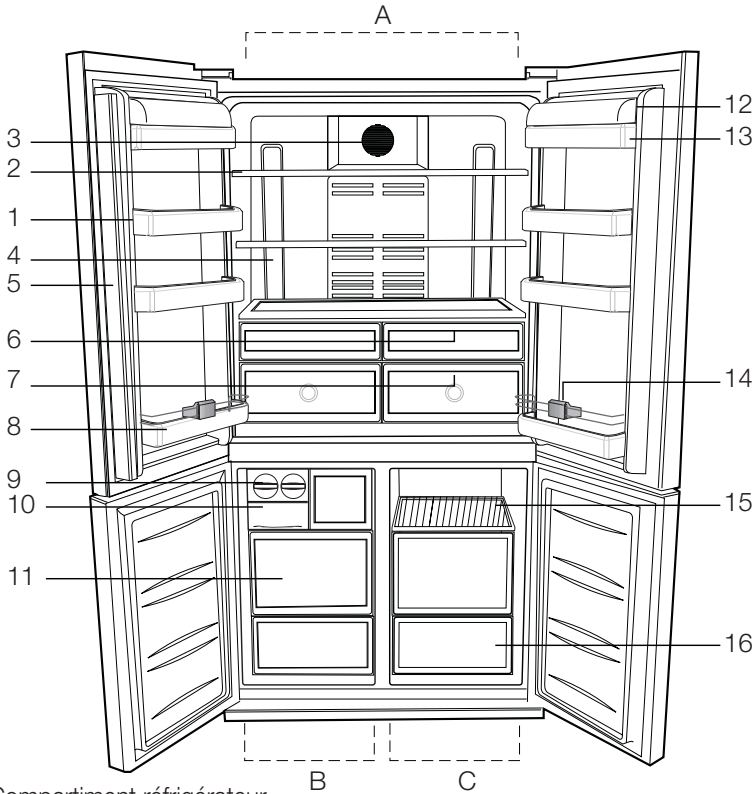


Ce produit est marqué du symbole du tri sélectif, relatif aux déchets d'équipements électriques et électroniques. Cela signifie que ce produit doit être pris en charge par un système de collecte sélectif conformément à la directive européenne 2002/96/CE, afin de pouvoir être recyclé ou démantelé dans le but de réduire tout impact sur l'environnement. Attention les produits électroniques n'ayant pas fait l'objet d'un tri sélectif sont potentiellement dangereux pour l'environnement et la santé humaine en raison de la présence potentielle de substances dangereuses.

Table des matières

1 Votre réfrigérateur	3	4 Utilisation de votre réfrigérateur	13
2 Précautions importantes pour votre sécurité	4	Bandeau indicateur.....	13
Utilisation prévue	4	Alarme d'ouverture de porte :	15
Pour les appareils dotés d'une fontaine à eau ;	6	Casier à œufs	16
Sécurité enfants.....	6	Etagères coulissantes.....	16
Avertissement HCA	7	Bac à légumes	16
Mesures d'économie d'énergie.....	7	Compartiment Zone fraîche	16
Remplacement de la lampe	7	Section centrale pivotante	17
Recommandations pour le compartiment produits frais	8	Compartiment Multi Zone	17
3 Installation	9	Éclairage bleu	17
Préparation.....	9	5 Entretien et nettoyage	18
Points à prendre en compte lorsque vous transportez à nouveau votre produit.....	9	Protection des surfaces en plastique.	18
Avant de faire fonctionner votre réfrigérateur	9	6 Solutions recommandées aux problèmes	19
Branchement électrique.....	10		
Mise au rebut de l'emballage	10		
Mise au rebut de votre ancien réfrigérateur	11		
Disposition et Installation	11		
Réglage de la stabilité au sol.....	11		
Réglage du jeu entre les portes supérieures.....	12		

1 Votre réfrigérateur



- A- Compartiment réfrigérateur
- B- Compartiment congélateur
- C- Multi Zone

- | | |
|--|--|
| 1- Balconnets de la porte du compartiment de réfrigération | 9- Distributeur de glaçons |
| 2- Clayettes réglables du compartiment de réfrigération | 10-Appareil à glaçons |
| 3- Couvercle du diffuseur | 11-Compartiments congélateur |
| 4- Lentilles d'illumination | 12-Couvercle de l'étagère à Beurre et Fromages |
| 5- Section centrale pivotante | 13-Etagère à Beurre et Fromages |
| 6- Compartiment Zone fraîche | 14-Range-bouteilles |
| 7- Bac à légumes | 15-Étagères du compartiment Multi Zone |
| 8- Clayette range-bouteilles | 16-Compartiment Multi Zone |

ⓘ Les illustrations présentées dans cette notice d'utilisation sont schématiques et peuvent ne pas correspondre exactement à votre produit. Si des pièces présentées ne sont pas comprises dans le produit que vous avez acheté, elles sont valables pour d'autres modèles.

2 Précautions importantes pour votre sécurité

Veillez examiner les informations suivantes : Le non respect de ces consignes peut entraîner des blessures ou dommages matériels. Sinon, tout engagement lié à la garantie et à la fiabilité du produit devient invalide.

La durée de vie du produit que vous avez acheté est de 10 ans. Il s'agit ici de la période au cours de laquelle vous devez conserver les pièces de rechange nécessaires à son fonctionnement.

Utilisation prévue

Ce produit est prévu pour une utilisation

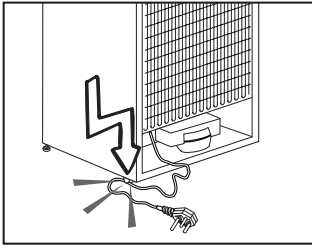
- en intérieur et dans des zones fermées telles que les maisons ;
 - dans les environnements de travail fermés, tels que les magasins et les bureaux ;
 - dans les lieux d'hébergement fermés, tels que les fermes, hôtels, pensions.
- Cet appareil ne doit pas être utilisé en extérieur.

Sécurité générale

- Avant de vous débarrasser de votre appareil, veuillez consulter les autorités locales ou votre revendeur pour connaître le mode opératoire et les organismes de collecte agréés.
- Consultez le service après-vente agréé concernant toutes questions ou problèmes relatifs au réfrigérateur. N'intervenez pas ou ne laissez personne intervenir sur le réfrigérateur sans le communiquer au service après-vente agréé.

- Pour les produits équipés d'un compartiment congélateur : ne mangez pas de cônes de crème glacée ou des glaçons immédiatement après les avoir sortis du compartiment de congélation ! (Cela pourrait provoquer des engelures dans votre bouche).
- Pour les produits équipés d'un compartiment congélateur : ne placez pas de boissons en bouteille ou en cannette dans le compartiment de congélation. Cela peut entraîner leur éclatement.
- Ne touchez pas des produits congelés avec les mains, ils pourraient se coller à celles-ci.
- Débranchez votre réfrigérateur avant de le nettoyer ou de le dégivrer.
- La vapeur et des matériaux de nettoyage pulvérisés ne doivent jamais être utilisés pour les processus de nettoyage ou de dégivrage de votre réfrigérateur. La vapeur pourrait pénétrer dans les pièces électriques et provoquer des courts-circuits ou des électrocutions.
- Ne jamais utiliser les pièces de votre réfrigérateur telles que la porte, comme un support ou une marche.
- N'utilisez pas d'appareils électriques à l'intérieur du réfrigérateur.
- N'endommagez pas les pièces où circule le liquide réfrigérant avec des outils de forage ou coupants. Le liquide réfrigérant qui pourrait s'échapper si les canalisations de gaz de l'évaporateur, les rallonges de tuyau ou les revêtements de surface étaient percés, peut irriter la peau et provoquer des blessures aux yeux.

- Ne pas couvrir ou obstruer les orifices de ventilation du réfrigérateur.
- Les appareils électriques peuvent être réparés seulement par des personnes autorisées. Les réparations réalisées par des personnes ne présentant pas les compétences requises peuvent présenter un risque pour l'utilisateur.
- En cas de dysfonctionnement ou lors d'opérations d'entretien ou de réparation, débranchez l'alimentation électrique du réfrigérateur soit en désactivant le fusible correspondant, soit en débranchant l'appareil.
- Ne tirez pas sur le câble lorsque vous débranchez la prise.
- Placez les boissons alcoolisées verticalement, dans des récipients convenablement fermés.
- Ne conservez jamais des aérosols contenant des substances inflammables et explosives dans le réfrigérateur.
- N'utilisez pas d'outils mécaniques ou autres dispositifs pour accélérer le processus de décongélation autres que ceux qui sont recommandés par le fabricant.
- Ce produit n'est pas conçu pour être utilisé par des personnes (enfants compris) souffrant de déficience physique, sensorielle, mentale, ou inexpérimentées, à moins d'avoir obtenu une autorisation auprès des personnes responsables de leur sécurité.
- Ne faites pas fonctionner un réfrigérateur endommagé. Consultez le service agréé en cas de problème.
- La sécurité électrique du réfrigérateur n'est assurée que si le système de mise à la terre de votre domicile est conforme aux normes en vigueur.
- L'exposition du produit à la pluie, la neige, au soleil ou au vent présente des risques concernant la sécurité électrique.
- Contactez le service agréé quand un câble d'alimentation est endommagé pour éviter tout danger.
- Ne branchez jamais le réfrigérateur à la prise murale au cours de l'installation. Vous vous exposeriez à un risque de mort ou à de blessures graves.
- Ce réfrigérateur est conçu seulement pour conserver des aliments. Par conséquent, il ne doit pas être utilisé à d'autres fins.
- L'étiquette avec les caractéristiques techniques est située sur le mur gauche à l'intérieur du réfrigérateur.
- Ne branchez jamais votre réfrigérateur à des systèmes d'économie d'énergie, cela peut l'endommager.
- S'il y a une lumière bleue sur le réfrigérateur, ne la regardez pas avec des outils optiques.
- Pour les réfrigérateurs contrôlés manuellement, attendez au moins 5 minutes pour allumer le réfrigérateur après une coupure de courant.
- Si cet appareil venait à changer de propriétaire, n'oubliez pas de remettre la présente notice d'utilisation au nouveau bénéficiaire.
- Évitez d'endommager le câble d'alimentation quand vous transportez le réfrigérateur. Tordre le câble peut entraîner un incendie. Ne placez jamais d'objets lourds sur le câble d'alimentation. Évitez de toucher à la prise avec des mains mouillées au moment de brancher l'appareil.



- Évitez de brancher le réfrigérateur lorsque la prise de courant électrique a lâché.
 - Pour des raisons d'ordre sécuritaire, évitez de vaporiser directement de l'eau sur les parties externes et internes du réfrigérateur.
 - Ne pulvérisez pas de substances contenant des gaz inflammables comme du propane près du réfrigérateur pour éviter tout risque d'incendie et d'explosion.
 - Ne placez jamais de récipients pleins d'eau en haut du réfrigérateur, ils pourraient causer des chocs électriques ou incendie.
 - Ne surchargez pas votre réfrigérateur avec des quantités de nourriture excessives. S'il est surchargé, les aliments peuvent tomber, vous blesser et endommager le réfrigérateur quand vous ouvrez la porte. Ne placez jamais d'objets au-dessus du réfrigérateur, ils pourraient tomber quand vous ouvrez ou fermez la porte du réfrigérateur.
 - Les produits qui nécessitent un contrôle de température précis (vaccin, médicament sensible à la chaleur, matériels scientifiques, etc.) ne doivent pas être conservés dans le réfrigérateur.
 - Si le réfrigérateur n'est pas utilisé pendant longtemps, il doit être débranché. Un problème avec le câble d'alimentation pourrait causer un incendie.
- Le bout de la prise électrique doit être nettoyé régulièrement, sinon il peut provoquer un incendie.
 - Le bout de la prise électrique doit être nettoyé régulièrement à l'aide d'un chiffon sec, sinon il peut provoquer un incendie.
 - Le réfrigérateur peut bouger si ses pieds réglables ne sont pas bien fixés sur le sol. Bien fixer les pieds réglables sur le sol peut empêcher le réfrigérateur de bouger.
 - Quand vous transportez le réfrigérateur, ne le tenez pas par la poignée de la porte. Cela peut le casser.
 - Quand vous devez placer votre produit près d'un autre réfrigérateur ou congélateur, la distance entre les appareils doit être d'au moins 8 cm. Sinon, les murs adjacents peuvent être humidifiés.

Pour les appareils dotés d'une fontaine à eau ;

La pression de l'alimentation en eau doit être au minimum de 1 bar. La pression de l'alimentation en eau doit être au maximum de 8 bars.

- Utilisez uniquement de l'eau potable.

Sécurité enfants

- Si la porte a un verrouillage, la clé doit rester hors de portée des enfants.

- Les enfants doivent être surveillés et empêchés de s'amuser avec le produit.

Avertissement HCA

Si le système de refroidissement de votre appareil contient R600a:

Ce gaz est inflammable. Par conséquent, veuillez prendre garde à ne pas endommager le système de refroidissement et les tuyauteries lors de son utilisation ou de son transport. En cas de dommages, éloignez votre produit de toute source potentielle de flammes susceptible de provoquer l'incendie de l'appareil. De même, placez le produit dans une pièce aérée.

Ne tenez pas compte de cet avertissement si le système de refroidissement de votre appareil contient R134a.

Le type de gaz utilisé dans l'appareil est mentionné sur la plaque signalétique située sur le mur gauche à l'intérieur du réfrigérateur.

Remplacement de la lampe

Pour remplacer la lampe d'éclairage du réfrigérateur, veuillez contacter le service après-vente agréé.

Ne jetez jamais l'appareil au feu pour vous en débarrasser.

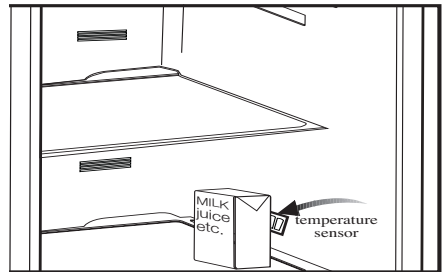
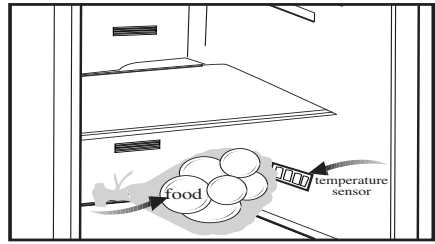
Mesures d'économie d'énergie

- Ne laissez pas les portes du réfrigérateur ouvertes pendant une durée prolongée.
- N'introduisez pas de denrées ou de boissons chaudes dans le réfrigérateur.
- Ne surchargez pas le réfrigérateur pour ne pas obstruer pas la circulation d'air à l'intérieur.
- N'installez pas le réfrigérateur à la lumière directe du soleil ou près d'appareil émettant de la chaleur tels qu'un four, un lave-vaisselle ou un radiateur.
- Veillez à conserver vos denrées dans des récipients fermés.
- Pour les produits équipés d'un compartiment congélateur : vous pouvez conserver une quantité maximale d'aliments dans le congélateur quand vous enlevez l'étagère ou le tiroir du congélateur. La consommation d'énergie précisée pour votre réfrigérateur a été déterminée en enlevant l'étagère ou le tiroir du congélateur et avec la charge maximale. Il n'y a aucun risque à utiliser une étagère ou un tiroir en fonction des formes et tailles des denrées à congeler.
- La décongélation des aliments dans le compartiment réfrigérateur permet de faire des économies d'énergie et de préserver la qualité des aliments.

Recommandations pour le compartiment produits frais

*EN OPTION

- Ne laissez aucun aliment entrer en contact avec le capteur de température dans le compartiment produits frais. Afin de conserver le compartiment produits frais à la température de conservation idéale, le capteur ne doit pas être encombré par des aliments.
- Ne placez pas de denrées chaudes dans votre appareil.



3 Installation

⚠ Veuillez noter que le fabricant ne pourra être tenu responsable si les informations fournies dans cette notice d'utilisation ne sont pas respectées.

Préparation

- Votre réfrigérateur doit être installé à au moins 30 cm des sources de chaleur telles que les plaques de cuisson, les fours, appareils de chauffage ou cuisinières, et à au moins 5 cm des fours électriques. De même, il ne doit pas être exposé à la lumière directe du soleil.
- La température ambiante de la pièce où vous installez le réfrigérateur doit être d'au moins 10°C. Faire fonctionner l'appareil sous des températures inférieures n'est pas recommandé et pourrait nuire à son efficacité.
- Veuillez vous assurer que l'intérieur de votre appareil est soigneusement nettoyé.
- Si deux réfrigérateurs sont installés côte à côte, ils doivent être séparés par au moins 2 cm.
- Lorsque vous faites fonctionner le réfrigérateur pour la première fois, assurez-vous de suivre les instructions suivantes pendant les six premières heures.
 - La porte ne doit pas être ouverte fréquemment.
 - Le réfrigérateur doit fonctionner à vide, sans denrées à l'intérieur.
 - Ne débranchez pas le réfrigérateur.Si une panne de courant se produit, veuillez vous reporter aux avertissements dans la section

« Solutions recommandées aux problèmes ».

- L'emballage et les matériaux de protection d'emballage doivent être conservés pour les éventuels transports ou déplacements à venir.

Points à prendre en compte lorsque vous transportez à nouveau votre produit.

1. Le réfrigérateur doit être vidé et nettoyé avant tout transport.
2. Les clayettes, accessoires, bac à légumes, etc. de votre réfrigérateur doivent être fixés solidement avec de la bande adhésive avant de remballer l'appareil, pour le protéger en cas de chocs.
3. L'emballage doit être fixé avec une bande adhésive forte et des cordes solides, et les normes de transport indiquées sur l'emballage doivent être appliquées.

Gardez à l'esprit les points suivants...

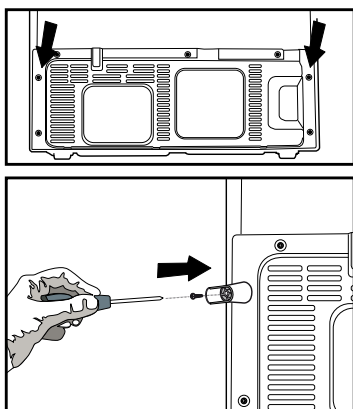
Chaque matériau recyclé est une participation indispensable à la préservation de la nature et conservation de nos ressources nationales.

Si vous souhaitez contribuer à recycler les matériaux d'emballage, vous pouvez obtenir des informations supplémentaires auprès des organismes environnementaux ou des autorités locales.

Avant de faire fonctionner votre réfrigérateur

Avant de commencer à faire fonctionner votre réfrigérateur, vérifiez les points suivants :

1. L'intérieur du réfrigérateur est sec et l'air peut circuler librement à l'arrière?
2. Insérez les 2 cales en plastique sur la ventilation arrière, tel qu'illustré dans la figure suivante. Dévissez les vis présentes et vissez les vis fournies avec la poche des cales. Les cales en plastique maintiendront la distance nécessaire entre votre réfrigérateur et le mur pour permettre une bonne circulation de l'air.



3. Nettoyez l'intérieur du réfrigérateur tel qu'indiqué dans la section « Entretien et nettoyage ».
4. Branchez le réfrigérateur dans la prise murale. Lorsque la porte est ouverte, l'éclairage intérieur correspondant s'allumera.
5. Vous remarquerez un bruit lorsque le compresseur se met en marche. Le liquide et les gaz intégrés au système du réfrigérateur peuvent également faire du bruit, que le compresseur soit en marche ou non. Ceci est tout à fait normal.
6. Les parties antérieures du réfrigérateur peuvent chauffer. Ce phénomène est normal. Ces zones doivent en principe être chaudes pour éviter tout risque de condensation.

Branchement électrique

Branchez votre réfrigérateur à une prise de mise à la terre protégée par un fusible ayant une capacité appropriée.

Important :

- Le branchement doit être conforme aux normes en vigueur sur le territoire national.
- La fiche de câble d'alimentation doit être facilement accessible après installation.
- La tension et la protection du fusible autorisées sont spécifiées dans la section « Caractéristiques techniques ».
- La tension spécifiée doit être égale à votre tension de secteur.
- Les rallonges et prises multivoies ne doivent pas être utilisés pour brancher l'appareil.

⚠ Un câble d'alimentation endommagé doit être remplacé par un électricien qualifié.

⚠ L'appareil ne doit pas être mis en service avant d'être réparé ! Un risque de choc électrique existe!

Mise au rebut de l'emballage

Les matériaux d'emballage peuvent être dangereux pour les enfants. Tenez les matériaux d'emballage hors de portée des enfants ou débarrassez-vous-en conformément aux consignes sur les déchets. Ne les jetez pas aux côtés des ordures ménagères ordinaires.

L'emballage de votre appareil est produit à partir des matériaux recyclables.

Mise au rebut de votre ancien réfrigérateur

Débarassez-vous de votre ancien réfrigérateur sans nuire à l'environnement.

- Vous pouvez consulter le service après-vente agréé ou le centre chargé de la mise au rebut dans votre municipalité pour en savoir plus sur la mise au rebut de votre produit.

Avant de procéder à la mise au rebut de votre machine, coupez la prise électrique et, le cas échéant, tout verrouillage susceptible de se trouver sur la porte. Rendez-les inopérants afin de ne pas exposer les enfants à d'éventuels dangers.

Disposition et Installation

Attention: Ne branchez jamais le réfrigérateur à la prise murale au cours de l'installation. Vous vous exposeriez à un risque de mort ou à de blessures graves.

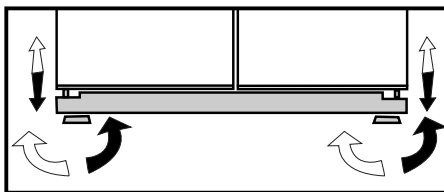
Si la porte d'entrée de la pièce où sera installé le réfrigérateur n'est pas assez large pour laisser passer le réfrigérateur, appelez alors le service après-vente pour faire retirer les portes du réfrigérateur et le faire passer latéralement.

1. Installez le réfrigérateur dans un emplacement qui permette une utilisation pratique.
2. Maintenez le réfrigérateur éloigné de toutes sources de chaleur, des endroits humides et de la lumière directe du soleil.
3. Une ventilation d'air autour du réfrigérateur doit être aménagée pour obtenir un fonctionnement efficace.

Si le réfrigérateur est placé dans un enfoncement du mur, il doit y avoir un espace d'au moins 5 cm avec le plafond et d'au moins 5 cm avec le mur.

Si le sol est couvert de moquette, votre produit doit être surélevé à 2,5 cm du sol.

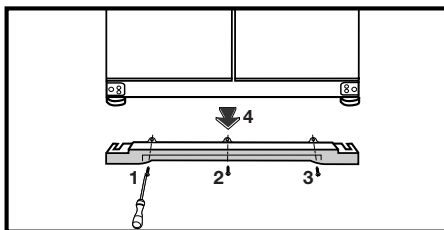
4. Placez le réfrigérateur sur un a de surface plane afin d'éviter les à-coups.
5. N'exposez pas le réfrigérateur à des températures ambiantes inférieures à 10°C.



Réglage de la stabilité au sol

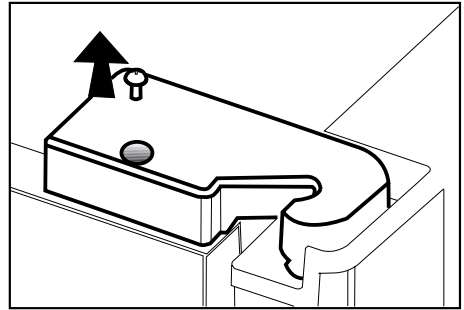
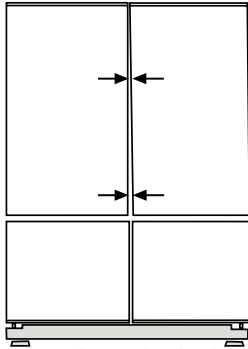
Si le réfrigérateur n'est pas stable.

- 1- Le cache de ventilation est retiré en enlevant les vis, tel qu'illustré sur le schéma avant la procédure. Vous pouvez équilibrer le réfrigérateur en



tournant les pieds avant, tel qu'illustré dans le schéma. Le côté où se trouve le pied s'abaisse lorsque vous tournez dans le sens de la flèche noire, et s'élève lorsque vous tournez dans le sens opposé. Si vous vous faites aider par quelqu'un pour légèrement soulever le réfrigérateur, l'opération s'en trouvera simplifiée.

2. Après avoir réalisé la stabilisation, installez le cache de ventilation et fixez les vis fournies.

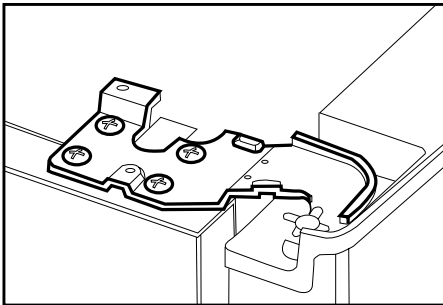


3. Retirez les deux vis de fixation du cache de ventilation inférieur à l'aide d'un tournevis Philips.

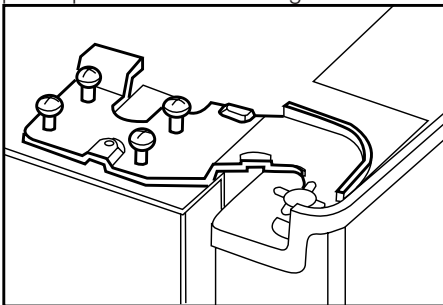
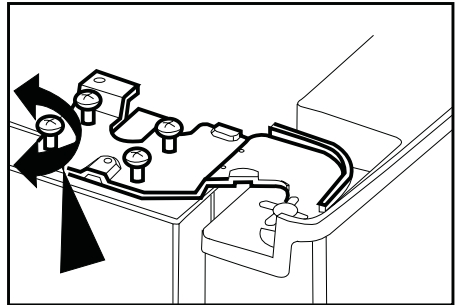
Réglage du jeu entre les portes supérieures

• Vous pouvez régler le jeu entre les portes du compartiment de réfrigération comme illustré sur les schémas.

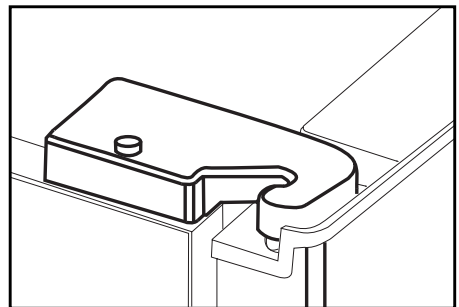
Les étagères de la porte doivent être vides pour effectuer le réglage de la hauteur.



• A l'aide d'un tournevis, retirez la vis du cache de la charnière supérieure de la porte que vous souhaitez régler.



• Ajustez la porte à votre gré en desserrant les vis.



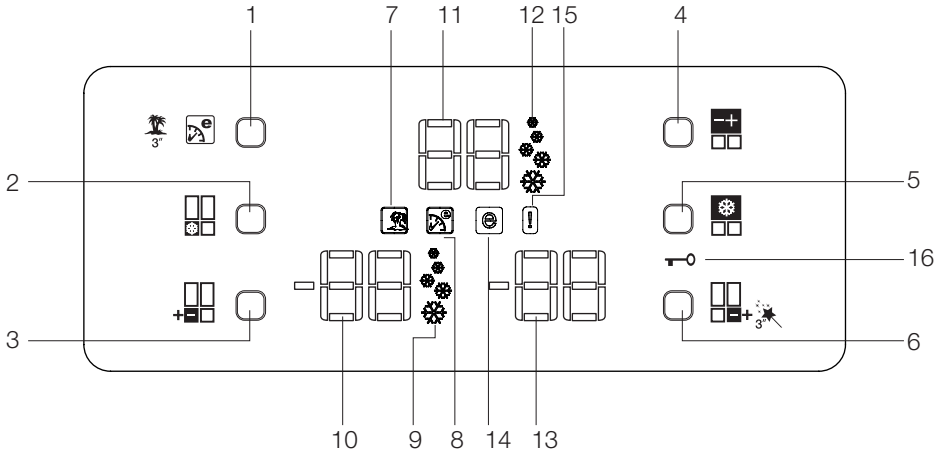
• Fixez la porte que vous avez réglée en serrant les vis sans modifier la position de la porte.

• Remplacez le cache de la charnière et fixez la vis.

4 Utilisation de votre réfrigérateur

Bandeau indicateur

Le bandeau indicateur à commande tactile vous permet de régler la température sans ouvrir la porte de votre réfrigérateur. Vous n'avez qu'à toucher la touche correspondante avec un doigt pour régler la température.



1. Bouton Eco Extra / Vacances
2. Bouton de congélation rapide
3. Bouton de réglage de température du compartiment de congélation
4. Bouton de réglage de température du compartiment de réfrigération
5. Bouton de refroidissement rapide
6. Bouton de réglage de température du compartiment Multi Zone
7. Indicateur de Fonction Vacances
8. Indicateur de fonction Eco Extra
9. Indicateur de fonction de congélation rapide
10. Indicateur de température du compartiment de congélation
11. Indicateur de température du compartiment de réfrigération
12. Indicateur de fonction de refroidissement rapide
13. Indicateur de température du compartiment Multi Zone
14. Indicateur mode Economie
15. Indicateur d'état de dysfonctionnement
16. Voyant verrouillage des commandes

1. Bouton Eco Extra / Vacances

Appuyez brièvement sur ce bouton pour activer la fonction Eco Extra. Appuyez sur ce bouton pendant 3 secondes pour activer la fonction Vacances. Appuyez de nouveau sur ce bouton pour désactiver la fonction sélectionnée.

2. Bouton de congélation rapide

Appuyez brièvement sur ce bouton pour activer la fonction Congélation rapide. Appuyez de nouveau sur ce bouton pour désactiver la fonction sélectionnée.

3. Bouton de réglage de température du compartiment de congélation

Appuyez sur ce bouton pour régler la température du compartiment de congélation à -18, -20, -22, -24, -18... respectivement. Appuyez sur ce bouton pour définir la température souhaitée pour le compartiment du congélateur.

4. Bouton de réglage de température du compartiment de réfrigération

Appuyez sur ce bouton pour régler la température du compartiment réfrigérateur à 8, 6, 4, 2, 8... respectivement. Appuyez sur ce bouton pour définir la température souhaitée pour le compartiment du réfrigérateur.

5. Bouton de refroidissement rapide

Appuyez brièvement sur ce bouton pour activer la fonction de Refroidissement rapide. Appuyez de nouveau sur ce bouton pour désactiver la fonction sélectionnée.

6. Bouton de réglage de température du compartiment Multi Zone

Vous pouvez régler le compartiment Multi Zone comme compartiment de réfrigérateur ou de congélateur.

Appuyez sur ce bouton et maintenez-le enfoncé pendant 3 secondes pour régler le compartiment Multi Zone comme compartiment de réfrigérateur ou de congélateur. Ce compartiment est réglé comme compartiment de congélation en usine.

Si le compartiment Multi Zone est réglé comme congélateur, sa température changera de -18 à -20, -22, -24, -18... respectivement à chaque pression sur ce bouton. Si le compartiment Multi Zone est réglé comme réfrigérateur, sa température changera de 10, 8, 6, 4, 2, 0, -6,... respectivement à chaque pression sur ce bouton.

7. Indicateur de Fonction Vacances

Il indique que la fonction vacances est en marche. Si cette fonction est active, “- -” s’affiche sur l’indicateur du compartiment du réfrigérateur, et aucun refroidissement n’est réalisé dans le compartiment du réfrigérateur. Les autres compartiments seront refroidis en fonction de la température définie pour leur fonctionnement. Appuyez sur le bouton correspondant pour désactiver cette fonction.

8. Indicateur de fonction Eco Extra

Il indique que la fonction Eco Extra est en marche. Si cette fonction est active, “votre réfrigérateur détectera automatiquement les dernières périodes d’utilisation et un refroidissement économe en énergie sera réalisé pendant ces périodes. L’indicateur d’économie est activé lorsque le refroidissement à économie d’énergie est réalisé.

Appuyez sur le bouton correspondant pour désactiver cette fonction.

9. Indicateur Fonction Congélation rapide

Il indique que la fonction Congélation rapide est en marche. Utilisez cette fonction lorsque vous placez de la nourriture dans le compartiment de congélation ou lorsque vous avez besoin de glace. Lorsque cette fonction est active, votre réfrigérateur fonctionnera pendant 6 heures d'affilée.

Appuyez sur le bouton correspondant pour désactiver cette fonction.

10. Indicateur de température du compartiment de congélation

Indique le réglage de température pour le compartiment réfrigérateur.

11. Indicateur de la température du compartiment réfrigérateur

Indique le réglage de température pour le compartiment réfrigérateur.

12. Indicateur de la fonction de refroidissement rapide

Il indique que la fonction Refroidissement rapide est en marche. Utilisez cette fonction lorsque vous placez de la nourriture dans le compartiment réfrigérateur ou lorsque vous voulez refroidir rapidement vos denrées. Lorsque cette fonction est active, votre réfrigérateur fonctionnera pendant 2 heures d'affilée.

Appuyez sur le bouton correspondant pour désactiver cette fonction.

13. Indicateur de température du compartiment Multi Zone

Indique le réglage de température pour le compartiment Multi Zone.

14. Indicateur de mode Economie

Il indique que le réfrigérateur fonctionne en mode d'économie d'énergie. Température du compartiment de congélation
Cet indicateur sera activé si la fonction est réglée sur -18 ou si le

refroidissement à économie d'énergie est réalisé suite à l'activation de la fonction Eco Extra.

15. Indicateur d'état de dysfonctionnement

Si votre réfrigérateur ne refroidit pas correctement ou s'il y a un dysfonctionnement dans un capteur, cet indicateur sera activé. Lorsque cet indicateur est activé, l'indicateur de la température du compartiment de congélation affichera "E" et l'indicateur de température du compartiment du réfrigérateur affichera des chiffres, par ex.: "1,2,3...". Ces nombres fournissent des informations concernant le dysfonctionnement au personnel de maintenance.

16. Voyant verrouillage des commandes

Utilisez cette fonction si vous souhaitez conserver les réglages de température de votre réfrigérateur. Appuyez sur le bouton Refroidissement rapide et le bouton de réglage de la température du compartiment Flexi Zone simultanément pendant environ 3 secondes pour activer cette fonction. Appuyez sur les boutons correspondants de nouveau pour désactiver cette fonction.

Alarme d'ouverture de porte :

Si l'une des portes du compartiment réfrigérateur ou du compartiment **Multi Zone** restent ouvertes pendant 1 minute, l'alarme d'ouverture de porte s'activera. Vous n'avez qu'à appuyer sur un bouton de l'indicateur ou fermer la porte pour éteindre l'alarme.

Casier à œufs

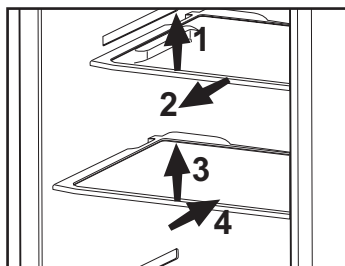
- Vous pouvez installer le support à œufs sur un balconnet de la porte ou de l'intérieur que vous souhaitez.
- Ne placez jamais le support à œufs dans le compartiment de congélation.

Étagères coulissantes

- Les étagères coulissantes peuvent être basculées légèrement en les soulevant par l'avant. Vous pouvez alors les coulisser ainsi vers l'avant et l'arrière. Lorsque vous les basculez, elles reposeront sur une butée vous permettant d'atteindre les denrées placées à l'arrière de l'étagère. Si vous tirez dessus après les avoir soulevées une fois arrivé à la seconde butée, l'étagère sera libérée.

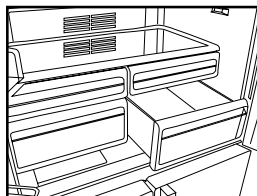
L'étagère doit être fermement maintenue par la bas pour éviter qu'elle ne bascule complètement. L'étagère est placée sur des rails sur les côtés du réfrigérateur. Vous pouvez la placer sur un niveau supérieur ou un niveau inférieur.

L'étagère doit être poussée pour revenir complètement en place.



Bac à légumes

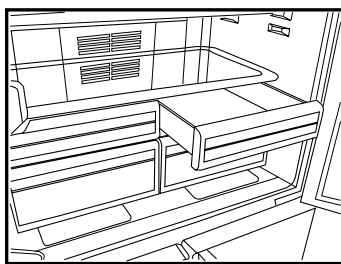
Le bac à légumes de votre réfrigérateur a été spécialement conçu pour vous aider à conserver vos denrées au frais sans que celles-ci n'aient à perdre de leur humidité. Dans cet objectif, l'air frais circule tout autour du bac à légumes.



Compartiment Zone fraîche

Les compartiments de zone fraîche vous permettent de préparer les aliments à congeler. Vous pouvez également utiliser ces compartiments si vous souhaitez conserver vos aliments à une température quelque peu inférieure à celle du compartiment de réfrigération.

Vous pouvez augmenter le volume interne de votre réfrigérateur en enlevant le compartiment amuse-gueule souhaité. Pour ce faire, tirez le compartiment vers vous ; le compartiment s'appuiera contre la butée et s'arrêtera. Ce compartiment se libère en le soulevant d'environ 1 cm et en le tirant vers vous.

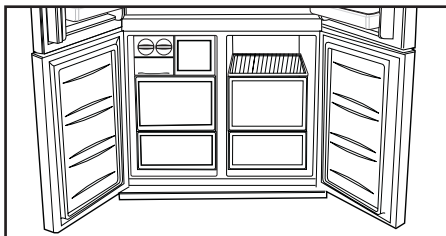


Section centrale pivotante

La section pivotante centrale est destinée à empêcher l'air froid de s'échapper. Cela permet l'étanchéité étant donné que les joints de la porte appuient sur la surface de la section centrale pivotante lorsque les portes du compartiment de réfrigération sont fermées. Une autre explication à l'adoption d'une section centrale pivotante est que cela permet d'augmenter le volume net du compartiment de réfrigération. Les sections centrales standards occupent un volume inutilisable dans le réfrigérateur.

Compartiment Multi Zone

Le compartiment de conservation Multi Zone de votre réfrigérateur peut être utilisé dans n'importe quel mode en le réglant sur les températures du réfrigérateur (2/4/6/8 °C) ou du congélateur (-18/-20/-22/-24). Vous pouvez conserver le compartiment à la température désirée avec le Bouton de réglage de la température du compartiment de conservation Multi Zone. La température du compartiment de conservation Multi Zone peut être réglée entre 0 et 10



degrés en plus des températures du compartiment du réfrigérateur et à -6 degrés en plus des températures du compartiment du congélateur. 0 degré est utilisé pour conserver les produits laitiers plus longtemps, -6 degrés est utilisé pour conserver les viandes jusqu'à 2 semaines dans un état permettant une découpe simplifiée.

i La fonction de passage à un compartiment réfrigérateur ou congélateur est possible grâce à un élément réfrigérant situé dans la section fermée (compartiment du compresseur) à l'arrière du réfrigérateur. Pendant le fonctionnement de cet élément, des bruits similaires à ceux provenant d'une horloge analogique peuvent être entendus. Ce phénomène est tout à fait normal et ne constitue nullement un dysfonctionnement.

Éclairage bleu

Les denrées conservées dans les bacs à légumes sont éclairées par une lumière bleue qui, grâce aux effets de sa longueur d'onde, permet aux fruits et légumes de continuer la photosynthèse et ainsi de conserver leur fraîcheur et leur teneur en vitamines.



5 Entretien et nettoyage

- ⚠ N'utilisez jamais d'essence, de benzène ou de matériaux similaires pour le nettoyage.
- ⚠ Nous vous recommandons de débrancher l'appareil avant de procéder au nettoyage.
- ❗ N'utilisez jamais d'ustensiles tranchants, savon, produit de nettoyage domestique, détergent et cirage pour le nettoyage.
- ❗ Utilisez de l'eau tiède pour nettoyer la carrosserie du réfrigérateur et séchez-la soigneusement à l'aide d'un chiffon.
- ❗ Utilisez un chiffon humide imbibé d'une solution composée d'une cuillère à café de bicarbonate de soude pour un demi litre d'eau pour nettoyer l'intérieur et séchez soigneusement.
- ⚠ Prenez soin de ne pas faire couler d'eau dans le logement de la lampe et dans d'autres éléments électriques.
- ⚠ En cas de non utilisation de votre réfrigérateur pendant une période prolongée, débranchez le câble d'alimentation, sortez toutes les denrées, nettoyez-le et laissez la porte entrouverte.

- ❗ Inspectez les joints de porte régulièrement pour vérifier qu'ils sont propres et qu'il n'y a pas de particules de nourriture.
- ❗ Pour retirer les balconnets de portes, sortez tout son contenu puis poussez simplement le balconnet vers le haut à partir de la base.

Protection des surfaces en plastique.

- Ne placez pas d'huiles ou de plats huileux dans le réfrigérateur dans des récipients non fermés, car les graisses peuvent endommager les surfaces en plastique du réfrigérateur. Si vous versez ou éclaboussez de l'huile sur les surfaces en plastique, nettoyez et lavez les parties souillées avec de l'eau chaude immédiatement.

6 Solutions recommandées aux problèmes

Veillez vérifier la liste suivante avant d'appeler le service après-vente. Cela peut vous faire économiser du temps et de l'argent. Cette liste regroupe les problèmes les plus fréquents ne provenant pas d'un défaut de fabrication ou d'utilisation du matériel. Il se peut que certaines des fonctions décrites ne soient pas présentes sur votre produit.

Le réfrigérateur ne fonctionne pas

- Le réfrigérateur est-il correctement branché ? Insérez la prise dans la prise murale.
- Est-ce que le fusible ou la douille de raccord du réfrigérateur sont connectés ou est-ce que le fusible principal a sauté ? Vérifiez le fusible.

Condensation sur la paroi intérieure du compartiment réfrigérateur. (MULTI ZONE, COOL CONTROL et FLEXI ZONE)

- Température ambiante très basse. Ouvertures et fermetures fréquentes de la porte. Humidité ambiante très élevée. Conservation de denrées liquides dans des récipients ouverts. Porte laissée entrouverte.
- Réglez le thermostat à un niveau de froid supérieur.
- Réduisez les temps d'ouverture de la porte ou utilisez-la moins fréquemment.
- Couvrez les denrées dans des récipients ouverts à l'aide d'un matériau adapté.
- Essayez la condensation à l'aide d'un tissu sec et vérifiez si elle persiste.

Le compresseur ne fonctionne pas.

- Le dispositif de protection thermique du compresseur sautera en cas de coupures soudaines du courant ou de débranchement intempestif, en effet la pression du liquide réfrigérant du système de refroidissement ne sera pas équilibrée.
- Le réfrigérateur recommencera à fonctionner normalement après 6 minutes environ. Veuillez contacter le service après-vente si le réfrigérateur ne redémarre pas après cette période.
- Le réfrigérateur est en mode de dégivrage. Cela est normal pour un réfrigérateur à dégivrage semi-automatique. Le cycle de dégivrage se déclenche régulièrement.
- Le réfrigérateur n'est pas branché à la prise. Assurez-vous que la prise est branchée correctement à la prise murale.
- Les réglages de température sont-ils corrects ? Il y a une panne de courant. Veuillez contacter votre fournisseur d'électricité.

Le réfrigérateur fonctionne fréquemment ou pendant de longues périodes.

- Votre nouveau réfrigérateur est peut-être plus large que l'ancien. Ceci est tout à fait normal. Les grands réfrigérateurs fonctionnent pendant une période de temps plus longue.
- La température ambiante de la salle peut être élevée. Ce phénomène est tout à fait normal.
- Le réfrigérateur pourrait y avoir été branché tout récemment ou pourrait avoir été chargé de denrées alimentaires. Le refroidissement complet du réfrigérateur peut durer quelques heures de plus.
- D'importantes quantités de denrées chaudes ont peut-être été introduites dans le réfrigérateur récemment. Les denrées chaudes provoquent un fonctionnement prolongé du réfrigérateur avant d'atteindre le niveau de température de conservation raisonnable.
- Les portes ont peut-être été ouvertes fréquemment ou laissées entrouvertes pendant une durée prolongée. L'air chaud qui entre dans le réfrigérateur le fait fonctionner pendant de plus longues périodes. Ouvrez les portes moins souvent.
- La porte du réfrigérateur ou du congélateur ont peut-être été laissées entrouvertes. Vérifiez que les portes sont bien fermées.
- Le réfrigérateur est réglé à une température très basse. Réglez la température du réfrigérateur à un degré supérieur et attendez jusqu'à ce que la température soit bonne.
- Le joint de la porte du réfrigérateur ou du congélateur peut être sale, déchiré, rompu ou mal en place. Nettoyez ou remplacez le joint. Tout joint endommagé/déchiré fait fonctionner le réfrigérateur pendant une période de temps plus longue afin de conserver la température actuelle.

La température du congélateur est très basse alors que celle du réfrigérateur est correcte.

- La température du congélateur est réglée à une température très basse. Réglez la température du congélateur à un degré supérieur et vérifiez.

La température du réfrigérateur est très basse alors que celle du congélateur est correcte.

- La température du réfrigérateur est réglée à une température très basse. Réglez la température du réfrigérateur à un degré supérieur et vérifiez.

Les denrées conservées dans les tiroirs du compartiment de réfrigération congèlent.

- La température du réfrigérateur est réglée à une température très basse. Réglez la température du réfrigérateur à un degré supérieur et vérifiez.

La température dans le réfrigérateur ou le congélateur est très élevée.
<ul style="list-style-type: none"> • La température du réfrigérateur est réglée à un niveau de froid très élevé. Le réglage du réfrigérateur a un effet sur la température du congélateur. Modifiez la température du réfrigérateur ou du congélateur jusqu'à ce qu'elles atteignent un niveau correct. • La porte est peut être restée ouverte. Refermez complètement la porte. • D'importantes quantités de denrées chaudes ont peut être été introduites dans le réfrigérateur récemment. Attendez que le réfrigérateur ou le congélateur atteigne la bonne température. • Le réfrigérateur y a peut être été branché récemment. Le refroidissement complet du réfrigérateur nécessite du temps à cause de sa taille.
Un bruit similaire au son émis par l'aiguille des secondes d'une horloge analogique provient du réfrigérateur.
<ul style="list-style-type: none"> • Ce bruit provient de la valve solénoïde du réfrigérateur. La valve solénoïde fonctionne afin d'assurer le passage du réfrigérant à travers le compartiment qui peut être ajusté aux températures de refroidissement et de congélation, et dans le but d'effectuer les fonctions de refroidissement. Ce phénomène est tout à fait normal et ne constitue nullement un dysfonctionnement.
Le niveau sonore augmente lorsque le réfrigérateur est en marche.
<ul style="list-style-type: none"> • Les caractéristiques de performance du réfrigérateur peuvent changer en fonction des variations de la température ambiante. Cela est normal et n'est pas un défaut.
Vibrations ou bruits
<ul style="list-style-type: none"> • Le sol n'est pas plat ou n'est pas solide. Le réfrigérateur oscille lorsqu'on le bouge lentement. Assurez-vous que le sol est plat, solide et qu'il peut supporter le réfrigérateur. • Les bruits peuvent être produits par les objets placés sur le réfrigérateur. De tels objets doivent être enlevés du dessus du réfrigérateur.
Le réfrigérateur produit des bruits semblables à de l'eau qui coule ou à la pulvérisation d'un liquide.
<ul style="list-style-type: none"> • Des écoulements de gaz et de liquides se produisent dans le réfrigérateur, de par ses principes de fonctionnement. Cela est normal et n'est pas un défaut.
Le réfrigérateur produit des bruits semblables à du vent.
<ul style="list-style-type: none"> • Des activateurs d'air (ventilateurs) sont utilisés pour permettre au réfrigérateur de fonctionner efficacement. Cela est normal et n'est pas un défaut.
Condensation sur les parois intérieures du réfrigérateur.
<ul style="list-style-type: none"> • Un temps chaud et humide augmente la formation de givre et de condensation. Cela est normal et n'est pas un défaut. • Les portes sont entrouvertes. Assurez-vous que les portes sont complètement fermées. • Les portes ont peut être été ouvertes très fréquemment ou ont peut être été laissées ouvertes pendant une durée prolongée. Ouvrez la porte moins souvent.

De l'humidité est présente à l'extérieur ou entre les portes du réfrigérateur.
<ul style="list-style-type: none"> Le temps est peut être humide. Ceci est tout à fait normal avec un temps humide. Lorsque l'humidité est faible, la condensation disparaîtra.
Présence d'une mauvaise odeur dans le réfrigérateur.
<ul style="list-style-type: none"> L'intérieur du réfrigérateur doit être nettoyé. Nettoyez l'intérieur du réfrigérateur avec une éponge, de l'eau ou de l'eau gazeuse chaude. Certains récipients ou matériaux d'emballage peuvent provoquer ces odeurs. Utilisez un autre récipient ou changez de marque de matériau d'emballage.
La (les) porte(s) ne se ferme(nt) pas.
<ul style="list-style-type: none"> Des récipients peuvent empêcher la fermeture de la porte. Remplacez les emballages qui obstruent la porte. Le réfrigérateur n'est probablement pas complètement vertical et il peut balancer lorsqu'on le bouge légèrement. Réglez les vis de levage. Le sol n'est pas plat ou solide. Assurez-vous que le sol est plat et qu'il peut supporter le réfrigérateur.
Les bacs à légumes sont coincés.
<ul style="list-style-type: none"> Il se peut que les denrées touchent le plafond du tiroir. Disposez à nouveau les denrées dans le tiroir.

Læs venligst denne vejledning først!

Kære kunde

Vi håber, at dit produkt, der er produceret i moderne produktionsanlæg og kontrolleret under de grundigste kvalitetskontrolprocedurer, vil give yde dig en effektiv service.

Derfor anbefaler vi dig grundigt at læse hele vejledningen for produktet, inden du tager det i anvendelse, og gemmer det tilgængeligt for fremtidige opslag.



Denne vejledning

- Vil hjælpe dig med at bruge køleskabet hurtigt og sikkert.
- Læs denne vejledning, inden du installerer og betjener produktet.
- Følg instruktionerne, især sikkerhedsinstruktionerne.
- Opbevar denne manual på et nemt tilgængeligt sted, da du kan få brug for den senere.
- Derudover skal du også læse de andre dokumenter, der er fulgt med produktet.

Bemærk at denne vejledningen også kan være gældende for andre modeller.

Symboler og deres beskrivelse

Denne brugsvejledning indeholder følgende symboler:

-  Vigtige informationer eller brugbare tips.
-  Advarsel mod farlige forhold for liv og ejendom.
-  Advarsel mod strømspænding.

Genvinding



Dette produkt er udstyret med symbolet for selektiv sortering af affald fra elektrisk og elektronisk udstyr (WEEE).

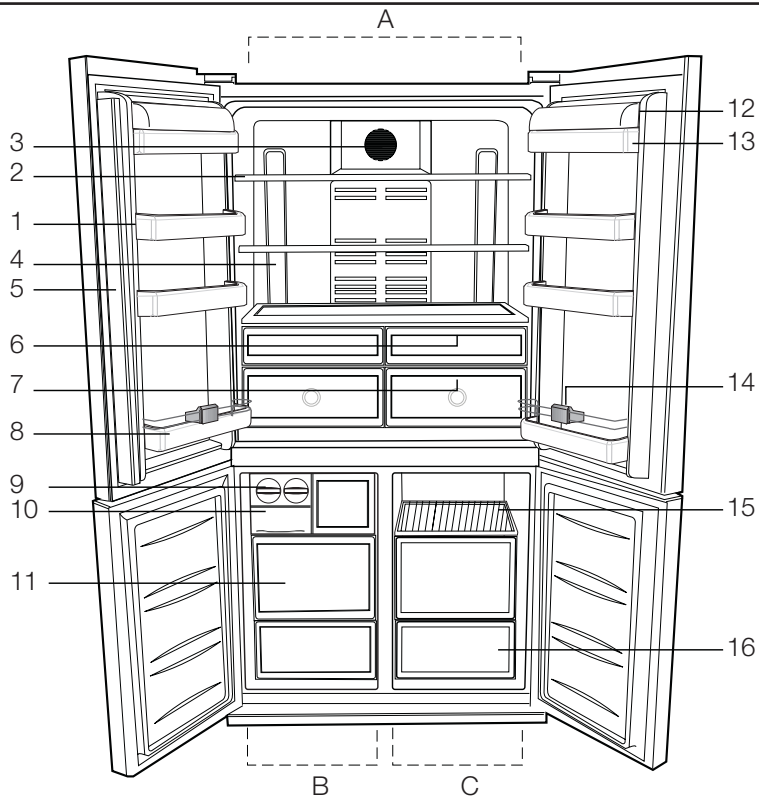
Det betyder, at dette produkt skal håndteres i henhold til det Europæiske Direktiv 2002/96/EC for at blive genanvendt eller afmonteret for at minimere påvirkningen af miljøet. For yderligere information bedes du kontakte de lokale myndigheder.

Elektroniske produkter, der ikke er omfattet af den selektive sorteringsproces, er potentielt farlige for miljøet og menneskets sundhed pga. af tilstedeværelsen af farlige substanser.

INDHOLD

1 Køleskabet	3	4 Anvendelse af køleskabet	12
2 Vigtige sikkerhedsadvarsler	4	Indikatorpanel.....	12
Tilsigtet brug.....	4	Alarm for åben dør:	14
For produkter med en vanddispenser;6		Æggebakke	15
Børnesikkerhed	6	Glidehylder	15
HCA Advarsel	6	Grøntsagsrum	15
Energibesparende foranstaltninger.....	7	Køleafdeling.....	15
Anbefalinger til ferskvare-rummet.....	7	Drejelig midtersektion	16
		Multizone opbevaringsrum	16
		Blåt lys	16
3 Installation	8	5 Vedligeholdelse og rengøring	17
Tilberedning.....	8	Beskyttelse af plasticoverflader	17
Punkter, der skal tages hensyn til, hvis køleskabet skal transporteres igen.....	8		
Udskiftning af belysningslampen	8	6 Anbefalede løsninger på problemerne	18
Inden køleskabet betjenes	9		
Elektrisk tilslutning	9		
Bortskaffelse af emballagen	9		
Bortskaffelse af det gamle køleskab...9			
Placering og installation	10		
Justering af balancen på gulvet	10		
Justering af afstanden mellem øverste låge	11		

1 Køleskabet



- A- Køleskab
- B- Fryser
- C- Multi Zone

- | | |
|---|------------------------------|
| 1- Lågehylder til køleskab | 8- Flaskehylde |
| 2- Rum i køleskabet med justerbare hylder | 9- Ismaskine |
| 3- Spreaderdæksel | 10- Iskasse |
| 4- Belysningsglas | 11- Rum til dybfrost |
| 5- Drejelig midtersektion | 12- Hyldeålg til smør og ost |
| 6- Køleafdeling | 13- Hylde til smør og ost |
| 7- Grøntsagsrum | 14- Flaskeholder |
| | 15- Multi Zone rumhylder |
| | 16- Multi Zone afdeling |

i Tallene i denne manual er skematiske og svarer måske ikke helt til dit produkt. Hvis delene ikke er indeholdt i det produkt, du har købt, findes de i andre modeller.

2 Vigtige sikkerhedsadvarsler

Gennemgå følgende informationer. Hvis man undlader at overholde disse informationer, kan det forårsage kvæstelser eller materiel skade. Ellers vil alle garantier og løfter om driftssikkerhed blive ugyldige. Brugslevetiden for enheden, du har købt, er 10 år. Det er den periode, de reservedele bevares, der er nødvendige for, at enheden kan køre som beskrevet.

Tilsigtet brug

Dette produkt er beregnet til at blive brugt

- indendørs og i lukkede områder, som f.eks. hjem;
- i lukkede arbejdsmiljøer, som f.eks. butikker og kontorer;
- i lukkede boligområder, som f.eks. stuehuse, hoteller, pensionater.
- Dette produkt skal ikke bruges udendørs.

Generelle sikkerhedsregler

- Når du vil bortkaste/skrotte produktet, anbefaler vi, at du rådfører dig med den autoriserede service for at tilegne dig de krævede informationer samt med de autoriserede myndigheder.
- Kontakt den autoriserede forhandler for at få svar på spørgsmål og problemer omkring køleskabet. Undlad at foretage indgreb eller lade andre foretage indgreb på køleskabet uden at informere den autoriserede forhandler.
- For produkter med fryser; Undlad at spise vaffels eller isterninger lige efter, du har taget dem ud af fryseren!

(Det kan forårsage forfrysninger i munden.)

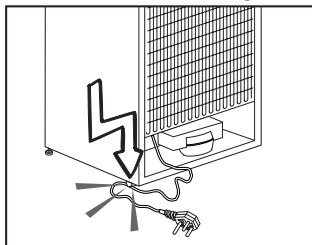
- For produkter med fryser; læg ikke flydende drikkevarer på flaske eller kande i fryseren. De kan eksplodere.
- Rør ikke frosne madvarer med hænderne, da de kan hænge fast i din hånd.
- Tag køleskabet ud af stikket inden rengøring eller afrimning.
- Damp og fordampede rengøringsmaterialer skal aldrig bruges ved rengøring og afrimning af køleskabet. Hvis det sker, kan dampen komme i kontakt med de elektriske dele og forårsage kortslutning eller elektrisk stød.
- Brug aldrig delene på køleskabet, som f.eks. lågen til at støtte dig på eller stå på.
- Brug ikke elektriske apparater inde i køleskabet.
- Undlad at beskadige de dele, hvor kølemidlet cirkulerer, med bore- eller skæreværktøjer. Kølemidlet, som kan blæse ud, når fordamperens gaskanaler, forlængerrørene eller overfladebelæggningerne punkteres, kan forårsage hudirritationer og øjenskader.
- Undlad med nogen form for materiale at tildække eller blokere ventilationshullerne på køleskabet.
- Elektrisk udstyr må kun repareres af autoriserede personer. Reparationer, der er udført af inkompetente personer, skaber en risiko for brugeren.
- I tilfælde af fejlfunktion under vedligeholdelses- eller reparationsarbejde skal køleskabets forsyningsnet afbrydes ved enten at

slukke for den relevante sikring eller ved at tage apparatets stik ud af kontakten.

- Træk ikke i ledningen, når stikket skal tages ud.
- Placer de drikkevarer, der indeholder højere alkoholprocent, stramt lukket og lodret.
- Opbevarer aldrig sprayflasker, der indeholder brændbare og eksplosive substanser, i køleskabet.
- Der må ikke anvendes mekanisk udstyr eller andre midler, ud over de af producenten anbefalede, for at fremskynde afrimningsprocessen.
- Dette produkt er ikke beregnet til at bruges af personer med fysiske handicap, føleforstyrrelser og psykiske lidelser eller personer, som ikke har modtaget instruktion (herunder børn), medmindre de er ledsaget af en person, der er ansvarlig for deres sikkerhed eller som instruerer dem i brug af produktet.
- Lad ikke et beskadiget køleskab køre. Kontakt serviceagenten, hvis du har nogen betænkeligheder.
- Der kan kun garanteres for køleskabets strømsikkerhed, hvis jordingsystemet i dit hjem opfylder standarderne.
- At udsætte produkterne for regn, sne, sol og vind er farligt hvad angår el-sikkerheden.
- Kontakt autoriseret service, hvis der er et beskadiget strømkabel, for at undgå fare.
- Sæt aldrig køleskabet ind i stikkontakten under installationen. Hvis det sker, kan der opstå risiko for dødsfald eller alvorlig skade.
- Dette køleskab er kun beregnet til at opbevare madvarer. Det bør ikke

bruges til andre formål.

- Typeskiltet med tekniske informationer er placeret på den venstre væg i køleskabet.
- Tilslut aldrig køleskabet til el-besparende systemer; de kan beskadige køleskabet.
- Hvis der er et blått lys i køleskabet, så undlad at kigge på det blå lys med optiske instrumenter.
- For manuelt betjente køleskabe skal man vente mindst 5 minutter med at starte det efter strømsvigt.
- Denne brugermanual skal afleveres til den nye ejer når det skifter ejermand.
- Undlad at beskadige strømkablet, når køleskabet transporteres. Det kan forårsage brand at bøje kablet. Placer aldrig tunge genstande på strømkablet. Rør ikke ved stikket med våde hænder, når du tager stikket ud.



- Tilslut ikke køleskabet hvis stikkontakten er løs.
- Vand bør ikke blive sprøjet direkte på indre og ydre dele af produktet af sikkerhedsmæssige årsager.
- Undlad at sprøjte substanser, der indeholder brændbare gasser, som f.eks. propangas, nær ved køleskabet for at undgå risiko for brand og eksplosion.
- Placer aldrig beholdere, der er fyldt med vand, oven på køleskabet, da det kan forårsage elektrisk stød eller brand.

- Overfyld ikke køleskabet med overdrevne mængder mad. Hvis det er overfyldt, kan maden falde ned og beskadige dig og beskadige køleskabet, når lågen åbnes. Placer aldrig genstande oven på køleskabet; disse genstande kan falde ned, når du åbner eller lukker køleskabslågen.
- Vacciner, varmekølsomme medikamenter, videnskabelige materialer osv. bør ikke opbevares i køleskabet, da de har brug for præcis temperatur.
- Køleskabet skal tages ud af stikkontakten, hvis det ikke skal bruges i længere tid. Et evt. problem i strømkablet kan forårsage brand.
- Spidsen på stikket bør rengøres jævnligt; ellers kan den forårsage brand.
- Spidsen af stikket bør rengøres jævnligt med en tør klud, da det ellers kan forårsage brand.
- Køleskabet kan flytte sig, hvis de justerbare ben ikke er sikret godt nok på gulvet. Rigtigt sikrede justerbare ben på gulvet kan forhindre køleskabet i at flytte sig.
- Når køleskabet skal bæres, må man ikke holde i lågens håndtag. Hvis det sker, kan det brække.
- Hvis produktet skal placeres ved siden af et andet køleskab eller fryser, skal afstanden mellem de to apparater være mindst 8 cm. Ellers kan de tilgrænsende sidevægge blive fugtige.

For produkter med en vanddispenser;

Vandtrykket skal være mindst 1 bar.
Vandtrykket skal være højst 8 bar.

- Brug kun drikkevand.

Børnesikkerhed

- Hvis døren har en lås, bør nøglen opbevares uden for børns rækkevidde.
- Børn skal overvåges for at forhindre, at de piller ved produktet.

HCA Advarsel

Hvis køleskabets kølesystem indeholder R600a:

Denne gas er brændbar. Du skal derfor være opmærksom på ikke at ødelægge kølesystemet og kølerørene under brug og transport. I tilfælde af beskadigelse skal produktet holdes væk fra mulige brandkilder, der kan forårsage, at produktet går i brand, og du skal sørge for at lufte ud i rummet, hvor produktet er placeret.

Ignorer denne advarsel, hvis dit køleskabets kølesystem indeholder R134a.

Gastypen, der bruges i produktet, er meddelt på typeskiltet, der er på venstre væg inde i køleskabet.

Kast aldrig produktet i en brand for bortskaffelse.

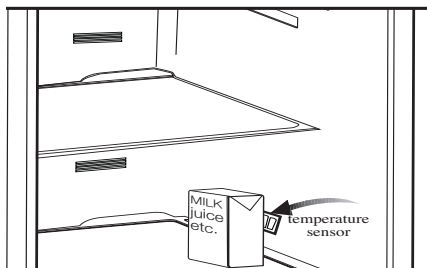
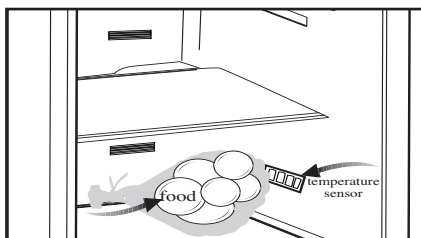
Energibesparende foranstaltninger

- Undlad at lade lågerne i køleskabet stå åbne i lang tid.
- Put ikke varm mad eller drikke i køleskabet.
- Overfyld ikke køleskabet, så luftcirkulationen bliver forhindret.
- Placer ikke dit køleskab under direkte sollys eller tæt på varmeudstrålende apparater, som f.eks. ovne, opvaskemaskiner eller radiatorer.
- Vær omhyggelig med at opbevare maden i lukkede beholdere.
- Produkter med en fryser: Du kan opbevare maksimal mængde madvarer i fryseren, hvis du fjerner hylden eller skuffen i fryseren. Energiforbrugsværdien, der er angivet for køleskabet, er blevet bestemt ved at fjerne fryserhylden eller -skuffen og under maksimal indfyldning. Der er ingen skade ved at bruge en hylde eller skuffe der passer i form og størrelse til de madvarer der skal frys.
- Optøning af frossen mad i køleskabet vil både skabe energibesparelse og bevare madens kvalitet.

Anbefalinger til ferskvare-rummet

*VALGFRI

- Lad ikke nogen fødevarer komme i kontakt med temperaturføleren i ferskvare-rummet. For at opretholde den optimale temperatur i ferskvare-rummet, må føleren ikke blokeres af fødevarer.
- Sæt ikke varm mad ind i dit køle-/fryseskab.



3 Installation

⚠ Husk at leverandøren ikke kan holdes ansvarlig, hvis informationerne i brugsvejledningen ikke er overholdt.

Tilberedning

- Køleskabet skal installeres mindst 30 cm væk fra varmekilder, som f.eks. kogeplader, ovne, radiatorer og brændeovne, og mindst 5 cm væk fra elektriske ovne, og det bør ikke placeres i direkte sollys.
- Den omgivende temperatur i det rum, hvor køleskabet installeres, bør være mindst 10°C. For at køleskabet skal være effektivt, anbefales det ikke at betjene det under koldere forhold.
- Sørg for at den indvendige del af køleskabet er grundigt rengjort.
- Hvis der skal installeres to køleskabe ved siden af hinanden, bør der være mindst 2 cm imellem dem.
- Når du lader køleskabet køre første gang, skal du overholde følgende instruktioner de første 6 timer.
 - Lågen skal ikke åbnes ofte.
 - Det skal køre tomt uden nogen form for mad i det.
 - Tag ikke køleskabet ud af stikkontakten. Hvis der forekommer strømudfald uden for din kontrol, så læs advarslerne under afsnittet "Anbefalede løsninger ved problemer".
- Den originale emballage og skummaterialerne bør gemmes for fremtidig transport eller flytning.

Punkter, der skal tages hensyn til, hvis køleskabet skal transporteres igen

1. Køleskabet skal tømmes og rengøres inden transport.
2. Hylder, tilbehør, grøntsagsskuffer osv. i køleskabet skal fastgøres sikkert for at modvirke stød, inden produktets pakkes igen.
3. Emballagen skal fastgøres med tykt tape og stærke reb, og reglerne for transport, der er trykt på pakken, skal følges.

Glem ikke...

Alt genbrugsmateriale er en uundværlig kilde for naturen og for vore nationale ressourcer.

Hvis du ønsker at medvirke til at genbruge emballagen, kan du få yderligere informationer hos miljøorganisationerne eller de lokale myndigheder.

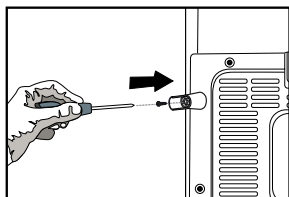
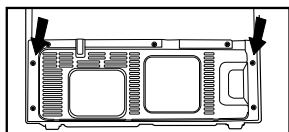
Udskiftning af belysningslampen

For at skifte lampen, der belyser køleskabet, bedes du ringe til den autoriserede service.

Inden køleskabet betjenes

Inden du begynder at bruge køleskabet, skal du kontrollere følgende:

1. Er køleskabet tørt indvendigt, og kan luften cirkulere frit bagved det?
2. Indsæt de plastkiler på den bageste ventilation, som vist på figuren. Skru de eksisterende af og brug de skruer der følger med i samme pose som kilerne. Plastkilerne vil give den krævede afstand mellem dit køleskab og væggen, så der bliver plads til luftcirkulation.



3. Rengør køleskabet indvendigt som anbefalet i afsnittet "Vedligeholdelse og rengøring".
4. Sæt køleskabets stik ind i kontakten. Når døren åbnes, vil det indvendige lys tændes.
5. Der vil kunne høres en lyd, når kompressoren starter. Kølevæsken og luftarterne, der findes i kølesystemet, kan også støje lidt, selv om kompressoren ikke kører, hvilket er helt normalt.
6. Køleskabets forreste kanter kan føles varme. Dette er normalt. Disse områder er beregnet til at være varme for at undgå kondensering.

Elektrisk tilslutning

Tilslut køleskabet til en jordet kontakt der er beskyttet af en sikring med passende kapacitet.

Vigtigt:

- Tilslutningen skal være i overensstemmelse med de nationale regulativer.
 - Strømskiftet skal være nemt tilgængeligt efter installationen.
 - Spænding og tilladt sikringsbeskyttelse er angivet i afsnittet "Tekniske specifikationer".
 - Den angivne spænding skal være lig med spændingen for dit forsyningsnet.
 - Mellemkabler og stikdåser med flere stik skal ikke bruges til tilslutningen.
- ⚠ Et ødelagt strømkabel skal udskiftes af en autoriseret elektriker.
- ⚠ Enheden må ikke betjenes, før den er repareret! Der er fare for elektrisk stød!

Bortskaffelse af emballagen

Emballagen kan være farlig for børn. Hold emballagen væk fra børns rækkevidde eller bortskaf dem, idet du skal klassificere dem i henhold til affaldsinstruktionerne. Smid dem ikke væk sammen med det øvrige husholdningsaffald.

Køleskabets emballage er produceret af genanvendelige materialer.

Bortskaffelse af det gamle køleskab

Bortskaf det gamle køleskab uden at skade miljøet.

- Du kan spørge din forhandler eller genbrugsstationen i din kommune angående bortskaffelse af køleskabet.
- Inden køleskabet bortskaffes, skal du skære elstikket af, og hvis der er låse i lågen, skal du gøre dem ubrugelige for at beskytte børn mod fare.

Placering og installation

Forsigtig: Sæt aldrig køleskabet ind i stikkontakten under installationen. Hvis det sker, kan der opstå risiko for dødsfald eller alvorlig skade.

Hvis indgangsdøren i det rum, hvor køleskabet skal placeres, ikke er bred nok til, at køleskabet kan komme igennem, så skal du kontakte autoriseret service for at få dem til at fjerne lågerne på køleskabet og lade køleskabet passere sidelæns gennem døren.

1. Installér køleskabet på et sted, hvor det er nemt at bruge.

2. Hold køleskabet væk fra varmekilder, fugtige steder og direkte sollys.

3. Der skal være tilstrækkelig ventilation rundt om køleskabet for at opnå en effektiv funktion.

Hvis køleskabet skal placeres i en fordybning i væggen, skal der være mindst 5 cm afstand fra loft og væg.

Hvis gulvet er belagt med tæppe, skal produktet hæves 2,5 cm fra gulvet.

4. Placer køleskabet på en jævn gulvoverflade for at undgå rystebevægelser.

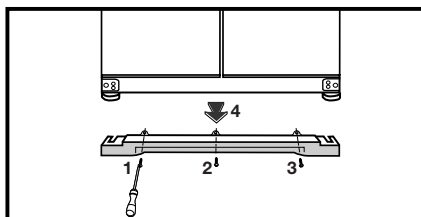
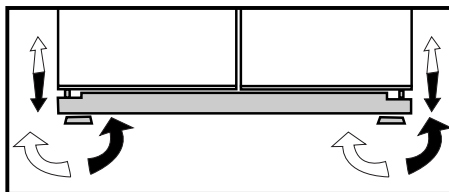
5. Stil ikke køleskabet på et sted, hvor de omgivende temperaturer er under 10°C.

Justering af balancen på gulvet

Hvis køleskabet ikke er i balance;

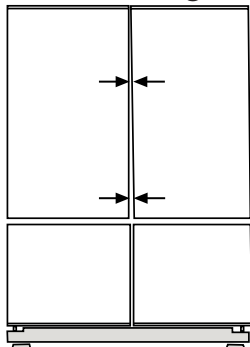
1- Ventilationsdækslet fjernes ved at løsne skruerne som illustreret på figuren inden proceduren. Du kan bringe køleskabet i balance ved at dreje de forreste ben som illustreret på tegningen. Det hjørne, hvor benet befinder sig, bliver sænket, når du drejer i retning af den sorte pil, og hævet, når du drejer i den modsatte retning. Hvis du får hjælp fra nogen til at løfte køleskabet let, vil det lette denne proces.

2. Når balanceproblemet er løst, sættes ventilationsdækslet på igen og skruerne skrues fast.

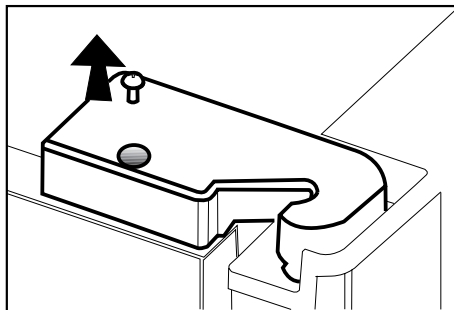


3. Fjern skruerne der fastholder det nederste ventilationsdæksel med en Philips skruetrækker.

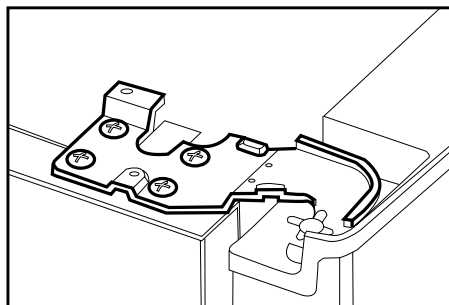
Justering af afstanden mellem øverste låge



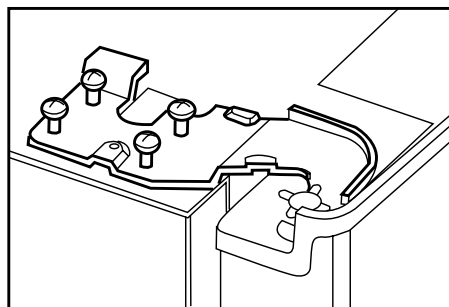
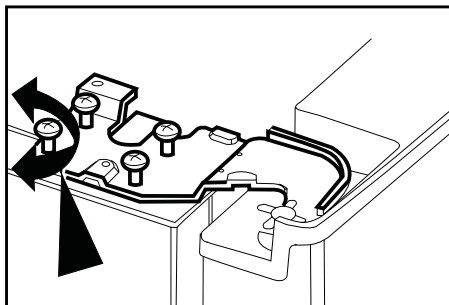
• Du kan justere afstanden mellem lågerne som illustreret på tegningerne. Lågehylderne skal tømmes, når lågehøjden justeres.



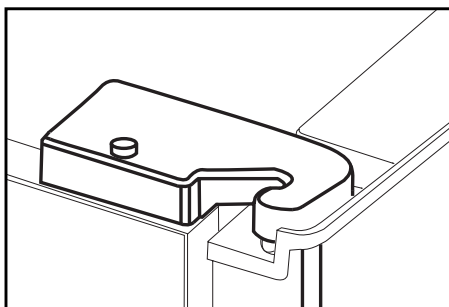
• Vha. af en skruetrækker skal du tage skruen af den låges øverste hængselsdæksel, som du vil justere.



• Tilpas døren som du ønsker ved at løsne skruerne.



• Fastgør den låge, du har justeret, ved at stramme skruerne uden at ændre lågens position.

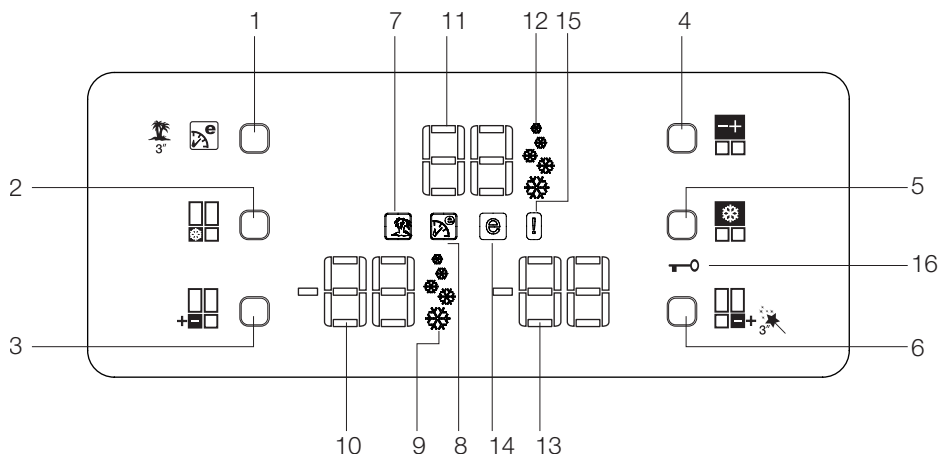


• Sæt hængselsdækslet tilbage og fastgør det med skruen.

4 Anvendelse af køleskabet

Indikatorpanel

Med dette touch-kontrol indikatorpanel kan du indstille temperaturen uden at åbne døren til køleskabet. Du skal blot røre den pågældende knap med fingeren for at indstille temperaturen.



1. Øko-ekstra / Ferieknop
2. Hurtig-frys knap
3. Fryser - Indikator for temperaturjustering
4. Køleskab- Indikator for temperaturjustering
5. Hurtig-køl knap
6. Flexizone opbevaringsrum knap til temperaturjustering
7. Ferietilstandsindikator
8. Indikator til øko-ekstra-funktion
9. Indikator for Hurtigfrys
10. Indikator for frysertemperatur
11. Fryser - Indikator for temperaturjustering
12. Indikator til hurtigkølfunktion
13. Flexizone opbevaringsrum temperaturindikator
14. Indikator for Økonomisk anvendelse
15. Indikator for fejltilstand
16. Indikator for tastelås

1. Økoekstra/Ferieknap

Tryk kort på denne knap for at slå økoekstra funktionen til. Tryk og hold knappen nede i 3 sek. for at aktivere feriefunktionen. Tryk på knappen igen for at slå den valgte funktion fra.

2. Hurtig-frys knap

Tryk kort på denne knap for at slå hurtigfrys funktionen til. Tryk på knappen igen for at slå den valgte funktion fra.

3. Fryser - Knap til temperaturjustering

Tryk på denne knap for at indstille fryserummets temperatur til hhv. -18, -20, -22 og -24. Tryk på denne knap for at indstille den ønskede temperatur for fryseren.

4. Køleskab- Knap til temperaturjustering

Tryk på denne knap for at indstille køleskabsrummets temperatur til hhv. 8, 6, 4 og 2. Tryk på denne knap for at indstille den ønskede temperatur for køleskabet.

5. Hurtig-køl knap

Tryk kort på denne knap for at slå hurtigkølfunktionen til. Tryk på knappen igen for at slå den valgte funktion fra.

6. Multi Zone opbevaringsrum knap til temperaturjustering

Du kan indstille flexizonen til enten fryser eller køler. Tryk og hold denne knap nede i 3 sek for at indstille Multi Zone til fryser eller køler. Den er indstillet til fryser fra fabrikken.

Hvis Multi Zoneen er indstillet til fryser, vil temperaturen i flexizonen ændres til hhv. -18, -20, -22, -24 hver gang du trykker på denne knap. Hvis Multi Zoneen er indstillet til fryser, vil temperaturen i flexizonen ændres til hhv. 10, 8, 6, 4 hver gang du trykker på denne knap.

7. Indikator for feriefunktion

Indikerer at feriefunktionen er aktiveret. Når denne funktionen er aktiveret, vil “- -” blive vist i køleskabets indikator, og kølerummet vil ikke blive kølet ned. Andre rum køles i henhold til den temperatur der er indstillet.

Tryk på den relevante knap igen for at slå denne funktion fra.

8. Indikator for økoekstrafunktion

Indikerer at økoekstrafunktionen er aktiveret. Når denne funktion er aktiveret, vil køleskabet automatisk finde ud af hvornår det bruges mindst, og en energieffektiv køling vil blive aktiveret i disse perioder. Økonomiindikatoren er aktiveret mens energieffektiv køling finder sted.

Tryk på den relevante knap igen for at slå denne funktion fra.

9. Indikator for Hurtigfrysfunktion

Indikerer at hurtigfrysfunktionen er aktiveret. Brug denne funktion når du anbringer friske madvarer i fryseren, eller når du har brug for is. Når denne funktion er aktiveret, vil køleskabet køre 6 timer uden at stoppe.

Tryk på den relevante knap igen for at slå denne funktion fra.

10. Indikator for frysertemperatur

Indikerer temperaturindstillingen for fryseren.

11. Indikator for køleskabstemperatur

Indikerer temperaturindstillingen for køleskabet.

12. Indikator for hurtig-køl funktion

Indikerer at hurtigkølfunktionen er aktiveret. Brug denne funktion når du anbringer friske madvarer i køleskabet, eller når du har brug for hurtigt at nedkøle din mad. Når denne funktion er aktiveret, vil køleskabet køre 2 timer uden at stoppe.

Tryk på den relevante knap igen for at slå denne funktion fra.

13. Multi Zone Indikator for temperaturjustering

Indikerer temperaturindstillingen for Multi Zoneen.

14. Indikator for sparetilstand

Indikerer at køleskabets energieffektive tilstand er aktiveret. Frysertemperatur Denne indikator vil være aktiveret hvis funktionen er indstillet til -18, eller energieffektiv køling er aktiveret på grund af økoekstrafunktionen.

15. Indikator for fejltilstand

Hvis køleskabet ikke køler ordentligt, eller hvis der er en sensorfejl, vil denne indikator lyse. Når denne indikator lyser, vil et "E" blive vist på fryserens temperaturindikator, og tal som "1,2,3..." vil blive vist på køleskabets temperaturindikator. Tallene på indikatoren giver oplysninger om fejlen til servicepersonalet.

16. Indikator for tastelås

Brug denne funktion hvis du ikke ønsker at temperaturindstillingen bliver ændret. Tryk på hurtigkølknappen og knappen til temperaturindstilling for flexizonen på en gang i 3 sek for at aktivere denne funktion.

Tryk på de relevante knapper igen for at slå denne funktion fra.

Alarm for åben dør:

Hvis døren til enten køleskabet eller **Multi Zone** er åben mere end 1 minut, vil åben dør alarmen blive aktiveret. Tryk på en hvilken som helst knap på indikatoren, eller luk døren for at slukke alarmen.

Æggebakke

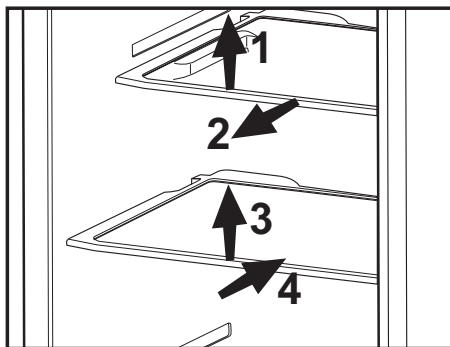
- Du kan installere æggeholderen på den ønskede låge eller hylde.
- Opbevar aldrig æggeholderen i fryseren.

Glidehylder

• Glidehylder kan trækkes ud ved forsigtigt at løfte dem op foran og bevæge dem frem og tilbage. De kommer til et punkt, når de trækkes fremad, der gør det muligt for dig at nå fødevarerne, der er placeret bagest på hylden. Når den trækkes ud efter at have løftet op en smule ved det andet punkt, frigives hylden.

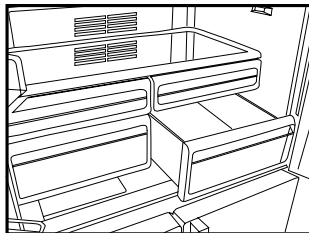
Der bør holdes godt fast på bunden af hylden for at forhindre den i at vælte. Hylden placeres på skinnerne på køleskabets sider ved at bringe det til et lavere eller højere niveau.

Hylden bør skubbes tilbage for at placere den rigtigt.



Grøntsagssrum

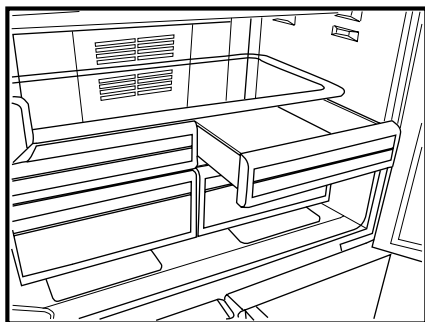
Dit køleskabs grøntsagsskuffe er specielt fremstillet til at holde dine grøntsager friske, uden de mister deres fugtighed. Til dette formål cirkulerer der kold luft rundt om hele grøntsagsskuffen.



Køleafdeling

Køleafdelingerne gør madvarer der skal fryses klar til at blive frosset. Du kan også bruge disse rum til at opbevare fødevarer ved en lav temperatur nogle få grader under køleskabet.

Du kan øge den indre volumen af køleskabet ved at fjerne et af rummene til snack. For at gøre dette skal du trække rummet imod dig selv, rummet vil støtte mod stopklodsen og stoppe. Rummet frigøres når du løfter det ca. 1 cm og trækker det mod dig selv.

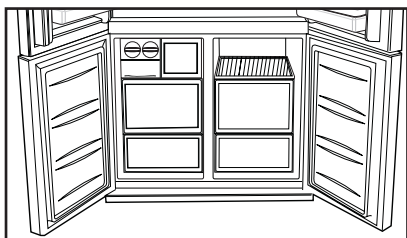


Drejelig midtersektion

Formålet med den drejelige midtersektion er at forhindre at den kolde luft inden i køleskabet slipper ud. Den drejelige midtersektion er med til at indkapsle eftersom pakningen på døren preses mod overfladen på den drejelige midtersektion når dørene til køleskabet lukkes. En anden årsag til at dit køleskab har en drejelig midtersektion er at køleskabets rumindhold bliver større. Almindelige midtersektioner optager plads i køleskabet der ikke kan bruges.

Multizone opbevaringsrum

Multizone opbevaringsrum i dit køleskab kan anvendes som du ønsker ved at indstille den til enten køletemperaturer (2/4/6/8 °C) eller til frysetemperaturer (-18/-20/-22/-24). Du kan fastholde den ønskede temperatur med "knappen til temperaturindstilling for multizone opbevaringsrum". Temperaturen for multizone opbevaringsrum kan indstilles til 0 og 10 grader for køleskabstemperaturen og til -6 grader for frysertemperaturen. 0 grader bruges til at opbevare delikate produkter længere, og -6 grader bruges til at opbevare kød i op til 2 uger i en tilstand, hvor det nemt kan skæres ud.



i Funktionen med at skifte til køle- eller fryserum aktiveres med et køleelement placeret i den lukkede del (kompressorafdelingen) bag ved køleskabet. Under denne operation høres en lyd, der minder om sekunderne fra et analogt ur. Dette er normalt og ikke en fejl.

Blåt lys

Madvarer, der opbevares i grøntsagsskufferne, der er oplyst med et blått lys, fortsætter deres fotosyntese vha. bølgelængeeffekten fra det blå lys, og på den måde bevares deres friskhed, og deres vitaminindhold forøges.



5 Vedligeholdelse og rengøring

- ⚠ Brug aldrig benzin, benzen eller lignende substanser til rengøring.
- ⚠ Vi anbefaler, at apparatet tages ud af stikkontakten inden rengøring.
- 🔧 Brug aldrig skarpe, slibende instrumenter, sæbe, husholdningsrengøringsmidler, vaskepulver eller polérvoks til rengøring.
- 🔧 Vask køleskabskabinettet i lunkent vand og tør det med en klud.
- 🔧 Anvend en fugtig klud vredet op i en opløsning af én teskefuld natriumbikarbonat (tvekulsurt natron) til 1/2 liter vand til rengøring af indersiderne, og tør efter med en klud.
- ⚠ Sørg for at der ikke kommer vand ind i lampehuset eller andre elektriske genstande.
- ⚠ Hvis køleskabet ikke skal benyttes i længere tid: Tag stikket ud, fjern alle madvarer, rengør det, og lad døren stå på klem.
- 🔧 Kontroller gummilisterne jævnligt for sikre, at de er rene og fri for madpartikler.
- 🔧 For at fjerne dørhylde tømmes indholdet ud, hvorefter dørhylden ganske enkelt løftes op fra sin plads.

Beskyttelse af plasticoverflader

- Put ikke flydende olier eller olie-tilberedte måltider i køleskabet i ulukkede beholdere, da de ødelægger køleskabets plasticoverflader. Hvis der spildes eller smøres olie på plasticoverfladerne, skal den relevante del af overfladen renses og skylles med det samme med varmt vand.

6 Anbefalede løsninger på problemerne

Læs denne liste igennem, inden du ringer efter service. Det kan spare dig for tid og penge. Denne liste indeholder ofte forekommende reklamationer, der ikke opstår af defekt udførelse eller materialebrug. Det er muligt, at nogle af de her beskrevne funktioner ikke findes i dit produkt.

Køleskabet virker ikke
<ul style="list-style-type: none">• Er køleskabet sat rigtigt i stikkontakten? Sæt stikket i kontakten i væggen.• Er sikringen, som køleskabet er tilsluttet, eller hovedsikringen sprunget? Kontroller sikringen.
Kondens på sidevæggen af køleskabsrummet. (MULTI ZONE, COOL CONTROL ve FLEXI ZONE)
<ul style="list-style-type: none">• Meget kolde omgivelser. Ofte åbning og lukning af lågen. Højt fugtindhold i omgivelserne. Opbevaring af mad, der indeholder væske, i åbne beholdere. Lågen står på klem.• Sæt termostaten på koldere grader.• Reducér tiden, hvor lågen står åben, eller brug den mindre ofte.• Dæk maden, der opbevares i åbne beholdere, til med passende materiale.• Tør kondensvandet af vha. en tør klud og kontroller, om det vedvarer.
Kompressoren kører ikke.
<ul style="list-style-type: none">• Beskyttelsestermo fra kompressoren vil blæse ud under pludselig strømudfald eller tilkoblinger/afkoblinger, da kølemiddeltrykket i køleskabets kølesystem ikke er bragt i balance endnu.• Køleskabet vil starte med at køre efter ca. 6 minutter. Ring efter service, hvis køleskabet ikke starter efter denne periode.• Køleskabet er ved at afrime. Dette er normalt for et køleskab med fuldautomatisk afrimning. Afrimning foregår med jævne mellemrum.• Køleskabsstikket er ikke sat i kontakten. Sørg for at stikket er sat stramt ind i kontakten.• Er temperaturindstillingerne foretaget rigtigt? Der er strømsvigt. Ring efter elektrikerens.

Køleskabet kører ofte eller i lang tid.
<ul style="list-style-type: none"> • Det nye køleskab kan være bredere end det foregående. Dette er helt normalt. Store køleskabe arbejder i længere perioder. • Den omgivende rumtemperatur kan være høj. Dette er helt normalt. • Køleskabet kan have været sat til for nylig eller have været fyldt op med mad. Komplet nedkøling af køleskabet kan vare et par timer længere. • Store mængder varm mad kan være blevet sat ind i køleskabet fornylig. Varm mad medfører, at køleskabet skal køre i længere tid, indtil maden når den ønskede temperatur. • Lågerne kan have været åbnet jævnligt eller have stået på klem i lang tid. Den varme luft, der er kommet ind i køleskabet, får køleskabet til at køre i længere perioder. Undlad at åbne lågen så ofte. • Fryserens eller køleskabets dør kan have stået på klem. Kontroller om lågerne er lukket tæt. • Køleskabet er indstillet meget koldt. Indstil køleskabstemperaturen højere, indtil temperaturen er tilpas. • Køleskabets eller fryserens lågepakning kan være snavset, slidt, ødelagt eller ikke sat ordentligt på. Rengør eller udskift pakningen. Beskadiget/brækket pakning forårsager, at køleskabet kører i længere perioder for at vedligeholde den aktuelle temperatur.
Frysertemperaturen er meget lav, mens køleskabstemperaturen er tilpas.
<ul style="list-style-type: none"> • Frysertemperaturen er indstillet meget koldt. Juster frysertemperaturen varmere og kontroller.
Køleskabstemperaturen er meget lav, mens fryserstemperaturen er tilpas.
<ul style="list-style-type: none"> • Køleskabstemperaturen er indstillet til en meget lav temperatur. Juster køleskabstemperaturen varmere og kontroller.
Mad, der opbevares i køleskabet, fryser.
<ul style="list-style-type: none"> • Køleskabstemperaturen er indstillet til en meget lav temperatur. Juster køleskabstemperaturen varmere og kontroller.
Temperaturen i køleskab eller fryser er meget høj.
<ul style="list-style-type: none"> • Køleskabstemperaturen er indstillet meget varmt. Køleskabsindstillingen har virkning på fryserens temperatur. Skift køleskabets eller fryserens temperatur, indtil køleskabs- eller frysertemperatur når et tilpas niveau. • Lågen kan stå på klem. Luk lågen helt. • Store mængder varm mad kan være blevet sat ind i køleskabet fornylig. Vent til køleskabet eller fryseren når den ønskede temperatur. • Køleskabet kan være taget ud af kontakten fornylig. Komplet nedkøling af køleskabet tager tid pga. størrelsen.

Der kommer en lyd, som minder om sekundviseren fra et analogt ur, fra køleskabet.
<ul style="list-style-type: none"> • Lyden kommer fra køleskabets magnetventil. Funktioner for magnetventiler til sikring af kølekanal gennem rummet, som kan justeres til køle- eller frysetemperaturer og udførelse af kølefunktioner. Dette er normalt, og er ikke en fejl.
Funktionslyden øges, når køleskabet kører.
<ul style="list-style-type: none"> • Egenskaberne for køleskabets driftsydelse kan ændre sig alt efter ændringerne i den omgivende temperatur. Det er normalt og ikke en fejl.
Vibrationer eller støj.
<ul style="list-style-type: none"> • Gulvet er ikke lige, eller det er svagt. Køleskabet vipper, når det flyttes langsomt. Sørg for, at gulvet er lige, stærkt og kapabelt til at bære køleskabet. • Støjen kan være forårsaget af de genstande, der er lagt i køleskabet. Sådanne genstande skal fjernes fra køleskabets øverste del.
Der er støj som væske, der løber over eller sprøjter.
<ul style="list-style-type: none"> • Væske- og gasstrømning sker i henhold til køleskabets driftsprincipper. Det er normalt og ikke en fejl.
Der er en støj som en vind, der blæser.
<ul style="list-style-type: none"> • Der bruges luftaktivatorer (blæsere), så køleskabet kan køle effektivt. Det er normalt og ikke en fejl.
Kondensvand på køleskabets indervægge.
<ul style="list-style-type: none"> • Varmt og fugtigt vejr øger isdannelse og udsvedning. Det er normalt og ikke en fejl. • Lågerne står på klem. Sørg for at lågerne er helt lukkede. • Lågerne kan have været åbnet ofte, eller de kan have stået åbne i lang tid. Undlad at åbne lågen så ofte.
Der opstår fugt på ydersiden af køleskabet eller mellem lågerne.
<ul style="list-style-type: none"> • Vejret er måske fugtigt. Dette er helt normalt i fugtigt vejr. Når fugtigheden er mindre, vil kondensen forsvinde.
Dårlig lugt inde i køleskabet.
<ul style="list-style-type: none"> • Køleskabets skal rengøres indvendigt. Rengør køleskabet indvendigt med en svamp, varmt vand eller kulstoffoldigt vand. • Nogle beholdere eller emballeringsmaterialer kan forårsage lugten. Brug en anden beholder eller et andet mærke indpakningsmateriale.

Lågen/lågerne er ikke lukket.

- Madbeholdere forhindrer lågen i at lukke. Omplacer pakkerne, der blokerer lågen.
- Køleskabet er sikkert ikke helt lodret på gulvet, og det kan vippe, når det flyttes lidt. Justér højdeskruerne.
- Gulvet er ikke lige eller stærkt. Sørg for, at gulvet er lige, stærkt og kapabelt til at bære køleskabet.

Grøntsagsskuffer sidder fast.

- Maden berører måske skuffens top. Omarranger maden i skuffen.

Por favor, leia primeiro este manual!

Caro cliente,

Esperamos que o seu produto, que foi produzido em modernas instalações e testado através de rigorosos controlos de qualidade, ofereça-lhe um serviço efectivo.

Para isso, recomendamos que leia cuidadosa e inteiramente o manual do seu produto antes de utilizá-lo e guarde-o para futuras consultas.




Este manual

- Ajuda-lo-á a utilizar o seu equipamento de forma rápida e segura.
- Leia o manual antes de instalar e colocar em funcionamento o seu equipamento.
- Siga as instruções, especialmente aquelas relativas à segurança.
- Guarde o manual num local acessível, já que poderá precisar dele mais tarde.
- Além disso, leia também os outros documentos fornecidos com o seu produto.

Observe que este manual também pode ser válido para outros modelos.

Os símbolos e as suas descrições

Este manual de instruções contém os seguintes símbolos:

-  Informações importantes ou dicas úteis de utilização.
-  Aviso contra condições de risco para a vida e a propriedade.
-  Aviso contra a voltagem eléctrica.

Reciclagem



Este produto ostenta o símbolo de classificação selectiva para resíduos de equipamentos eléctricos e electrónicos (REEE).

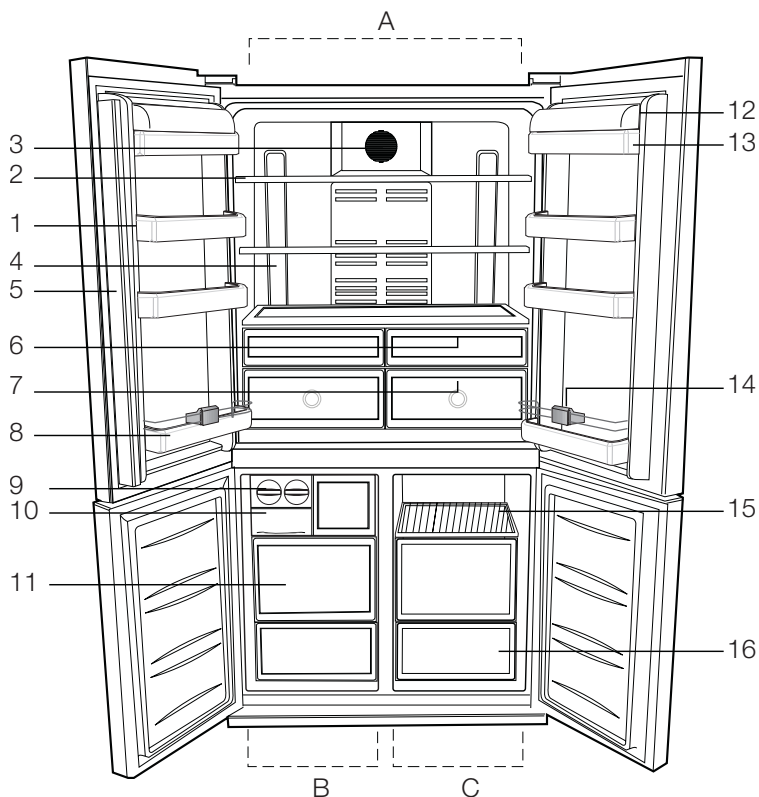
Isto significa que este produto deve ser tratado de acordo com a Directiva Europeia 2002/96 EC para que seja reciclado ou desmantelado afim de minimizar o seu impacto no meio ambiente. Para mais informações, contacte por favor as suas autoridades locais ou regionais.

Os produtos electrónicos não incluídos neste processo de classificação selectiva são potencialmente perigosos para o ambiente e para a saúde humana devido à presença de substâncias perigosas.

Índice

1 O seu frigorífico	3	4 Utilizar o seu frigorífico	12
2 Avisos importantes de segurança	4	Painel indicador	12
Uso pretendido.....	4	Alarme da porta aberta:	14
Para produtos com um dispensador de água;.....	6	Tabuleiro para ovos	15
Segurança com crianças	6	Prateleiras de estrutura deslizante ...	15
Aviso HCA.....	6	Gaveta para frutos e legumes	15
O que se pode fazer para economizar energia	6	Compartimento de resfriamento	15
Recomendações para o compartimento de alimentos frescos .	7	Secção de rotação do meio	16
3 Instalação	8	Compartimento de armazenamento da zona Multi	16
Preparação.....	8	Luz azul.....	16
Pontos a serem considerados ao transportar novamente o seu frigorífico.....	8	5 Manutenção e limpeza	17
Substituir a lâmpada de iluminação ..	8	Proteger as superfícies de plástico ..	17
Antes de funcionar o seu frigorífico....	9	6 Soluções recomendadas para os problemas	18
Ligação eléctrica	9		
Eliminação da embalagem.....	9		
Eliminação do seu frigorífico velho	9		
Colocação e instalação	10		
Ajuste do nivelamento do pavimento	10		
Ajustar o espaço entre a porta superior	11		

1 O seu frigorífico



A- Compartimento do refrigerador

B- Compartimento do congelador

C- Multi Zona

1- Prateleiras da porta do compartimento do refrigerador

2- Prateleiras interiores ajustáveis do compartimento do refrigerador

3- Tampa do difusor

4- Lentes de iluminação

5- Secção de rotação do meio

6- Compartimento de arrefecimento

7- Gaveta para frutos e legumes

8- Prateleira para garrafas

9- Icematic

10- Caixa de gelo

11- Compartimentos para guardar alimentos congelados

12- Tampa da prateleira de manteiga e queijo

13- Prateleira de manteiga e queijo

14- Suporte para garrafas

15- Prateleiras do compartimento da Multi Zona

16- Compartimento da Multi Zona

i As figuras que aparecem neste manual de instruções são esquemáticas e podem não corresponder exactamente ao seu produto. Se as partes referidas não estiverem incluídas no produto que adquiriu, é porque são válidas para outros modelos.

2 Avisos importantes de segurança

Por favor, reveja as informações seguintes.

A não-observância destas informações pode causar ferimentos ou danos ao material. Caso contrário, todas as garantias e compromissos de fiabilidade tornar-se-ão inválidos.

A vida útil da unidade que adquiriu é de 10 anos. Este é o período para manter as peças de reposição exigidas para a unidade a funcionarem conforme descrito.

Uso pretendido

Este produto está concebido para ser usado

- áreas internas e fechadas como casas;
- em ambientes de trabalho fechados, como lojas e escritórios;
- em áreas de hospedagem fechadas, como casas rurais, hotéis, pensões.
- Este produto não deve ser usado em exteriores.

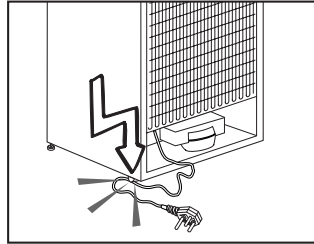
Segurança geral

- Quando quiser eliminar/desfazer-se do produto, recomendamos que consulte o serviço de assistência e os órgãos autorizados para obter mais informações.
- Consulte o seu serviço de assistência autorizado para todas as questões e problemas relativos ao frigorífico. Não tente reparar e nem permita que ninguém o faça sem notificar os serviços de assistência autorizados.
- Para produtos com um compartimento de congelador; Não coma cones de gelados e cubos de gelo imediatamente após retirá-los do compartimento do congelador! (Isto pode provocar queimaduras de frio na sua boca).
- Para produtos com compartimento de congelador; Não coloque bebidas líquidas enlatadas ou engarrafadas no compartimento do congelador. Caso contrário, podem rebentar.

- Não toque nos alimentos congelados; podem ficar presos à sua mão.
- Desligue o seu frigorífico da tomada antes da limpeza ou descongelação.
- O vapor e materiais de limpeza vaporizados nunca deverão ser utilizados nos processos de limpeza e descongelação do seu frigorífico. Em tais casos, o vapor poderá entrar em contacto com as partes eléctricas e provocar curto-circuito ou choque eléctrico.
- Nunca use as partes do seu frigorífico, tal como a porta, como meios de apoio ou degrau.
- Não utilize dispositivos eléctricos dentro do frigorífico.
- Não danifique as partes por onde circula a refrigeração, com ferramentas perfurantes ou cortantes. O refrigerante que pode explodir quando os canais de gás do evaporador, as extensões do tubo ou os revestimentos da superfície são perfurados, causa irritações na pele ou ferimentos nos olhos.
- Não cubra ou bloqueie os orifícios de ventilação do seu frigorífico com nenhum tipo de material.
- Os dispositivos eléctricos só devem ser reparados por pessoas autorizadas. As reparações realizadas por pessoas incompetentes causam riscos ao utilizador.
- Em caso de qualquer falha quer durante uma manutenção ou num trabalho de reparação, desligue a alimentação eléctrica do seu frigorífico, desligando o fusível correspondente ou retirando a ficha da tomada.
- Não puxe pelo cabo quando for retirar a ficha da tomada.
- Coloque as bebidas com teor alcoólico mais elevado bem fechadas e na vertical.
- Nunca guarde latas de aerossol inflamáveis e substâncias explosivas no frigorífico.

- Não utilize dispositivos mecânicos ou outros para acelerar o processo de descongelação. Siga apenas as instruções recomendadas pelo fabricante.
- Este produto não se destina a ser usado por pessoas com incapacidades físicas, sensoriais ou mentais ou sem conhecimento ou experiência (incluindo crianças), a menos que sejam supervisionadas por alguém responsável pela sua segurança ou que as instrua sobre o uso do produto.
- Não utilize um frigorífico avariado. Consulte o agente autorizado se tiver qualquer questão.
- A segurança eléctrica do seu frigorífico apenas poderá ser garantida se o sistema de ligação à terra da sua casa estiver em conformidade com as normas.
- A exposição do produto à chuva, neve, sol e vento é perigosa no que toca à segurança eléctrica.
- Para evitar qualquer perigo, contacte o serviço autorizado se o cabo eléctrico estiver danificado.
- Nunca ligue o frigorífico à tomada de parede durante a instalação. Caso contrário, poderá ocorrer perigo de morte ou ferimentos graves.
- Este frigorífico foi concebido unicamente para guardar alimentos. Não deverá ser utilizado para quaisquer outros fins.
- A etiqueta das especificações técnicas está localizada na parede esquerda no interior do frigorífico.
- Nunca ligue o seu frigorífico a sistemas de poupança de electricidade, pois podem danificá-lo.
- Se o frigorífico possuir luz azul, não olhe para ela com dispositivos ópticos.
- Para frigoríficos controlados manualmente, aguarde pelo menos 5 minutos para voltar a ligá-lo após uma falha eléctrica.
- Este manual de instruções deverá ser entregue ao novo proprietário do produto quando for dado/vendido a outros.

- Evite causar danos ao cabo eléctrico quando transportar o frigorífico. Dobrar o cabo pode causar incêndio. Nunca pouso objectos pesados no cabo eléctrico. Não toque na ficha com as mãos molhadas quando a introduz na tomada para ligar o produto.



- Não ligue o frigorífico à tomada, se a tomada de parede estiver solta.
- Não deverá ser vaporizado directamente nas partes interiores ou interiores do produto devido a razões de segurança.
- Para evitar risco de incêndio e explosão, não vaporize substâncias que contenham gases inflamáveis, tais como gás propano, etc., próximo ao frigorífico.
- Não coloque recipientes que contenham água sobre o topo do frigorífico, visto que tal poderá resultar em choque eléctrico ou incêndio.
- Não sobrecarregue o frigorífico com excesso de alimentos. Se sobrecarregado, os alimentos podem cair e feri-lo a si e danificar o frigorífico ao abrir a porta. Nunca coloque objectos no topo do frigorífico, visto que estes podem cair quando se abre ou fecha a porta do frigorífico.
- Como precisam de um controlo de temperatura exacta, as vacinas, medicamentos sensíveis ao aquecimento, materiais científicos, etc., não deverão ser guardados no frigorífico.
- Se não for utilizado por um longo tempo, o frigorífico deve ser desligado da tomada. Qualquer problema possível no cabo eléctrico poderá resultar em incêndio.

- A extremidade da ficha eléctrica deverá ser limpa regularmente, caso contrário, poderá provocar incêndio.
- A extremidade da ficha eléctrica deverá ser limpa regularmente com um pano seco; caso contrário, poderá provocar incêndio.
- O frigorífico pode mover-se se os pés não estiverem devidamente fixados ao piso. O ajuste seguro e apropriado dos pés ao piso pode impedir o frigorífico se mova.
- Ao transportar o frigorífico, não segure pelo puxador da porta. Caso contrário, pode quebrar.
- Se posicionar o seu frigorífico próximo de outro frigorífico ou arca frigorífica, a distância entre os dispositivos deve ser de pelo menos 8 cm. Caso contrário, as paredes laterais adjacentes podem humedecer.

Para produtos com um dispensador de água;

A pressão da conduta de água deve ser de no mínimo 1 bar. A pressão da conduta de água deve ser de no máximo 8 bar.

- Use apenas água potável

Segurança com crianças

- Se a porta possuir uma fechadura, a chave deverá ser mantida afastada do alcance das crianças.
- As crianças devem ser vigiadas para impedir que brinquem com o produto.

Aviso HCA

O sistema de arrefecimento do seu produto contém R600a:

Este gás é inflamável. Por isso, tenha cuidado em não danificar o sistema de arrefecimento e a tubagem durante o uso e transporte. No caso de algum dano, mantenha o seu produto longe de potenciais fontes de fogo que possam fazer com que o produto de incendeie e ventile o compartimento no qual a unidade está colocada.

Ignore este aviso se o sistema de arrefecimento do seu produto contiver R134a:

O tipo de gás usado no produto está indicado na placa de características localizada na parede esquerda no interior do frigorífico.

Nunca elimine o seu produto no fogo.

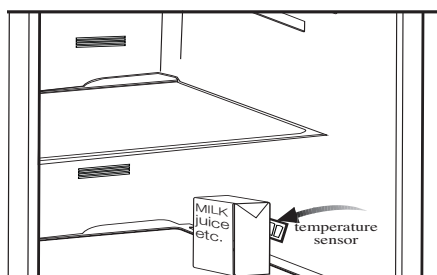
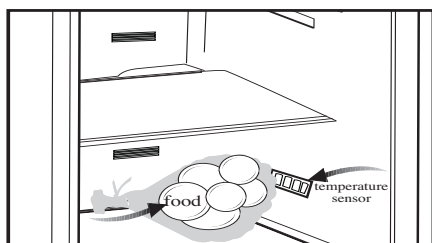
O que se pode fazer para economizar energia

- Não deixe as portas do seu frigorífico abertas durante muito tempo.
- Não coloque alimentos ou bebidas quentes no seu frigorífico.
- Não sobrecarregue o seu frigorífico para que a circulação do ar no interior não seja dificultada.
- Não instale o seu frigorífico sob a luz solar directa ou próximo de aparelhos que emitem calor tais como fornos, máquinas de lavar louça ou radiadores.
- Tenha cuidado em manter os seus alimentos em recipientes fechados.
- Para produtos com um compartimento de congelador; Pode armazenar uma quantidade máxima de alimentos no congelador se remover a prateleira ou gaveta do congelador. O valor do consumo de energia indicado no seu frigorífico foi determinado removendo a prateleira do congelador ou a gaveta e com carga máxima. Não existe qualquer risco em utilizar uma prateleira ou gaveta de acordo com as formas e tamanhos dos alimentos a serem congelados.
- Descongelar os alimentos congelados no compartimento do frigorífico poupará energia e preservará a qualidade dos alimentos.

Recomendações para o compartimento de alimentos frescos

* OPCIONAL

- Não deixe que nenhum alimento entre em contacto com o sensor de temperatura no compartimento de alimentos frescos. Para manter o compartimento de alimentos frescos na temperatura ideal de armazenamento, o sensor não pode estar obstruído por alimentos.
- Não coloque alimentos quentes no seu equipamento.



3 Instalação

⚠ Por favor, lembre-se que o fabricante não pode ser responsabilizado se não forem observadas as informações fornecidas no manual de instruções.

Preparação

- O seu frigorífico deverá ser instalado a uma distância mínima de 30 cm de quaisquer fontes de calor, tais como placas, fornos, aquecimento central e fogões e de 5 cm de fornos eléctricos e não deverá ficar exposto directamente à luz solar.
- A temperatura ambiente do compartimento onde está instalado o seu frigorífico não deve ser inferior a 10 °C. Utilizar o seu frigorífico em condições de temperatura mais baixas não é recomendado em atenção à sua eficiência.
- Certifique-se de que o interior do seu frigorífico esteja completamente limpo.
- Se forem instalados dois frigoríficos lado a lado, deverá existir uma distância mínima de 2 cm entre eles.
- Quando utilizar o seu frigorífico pela primeira vez, por favor, observe as seguintes instruções durante as seis horas iniciais.
 - A porta não deverá ser aberta frequentemente.
 - Deve começar a funcionar vazio, sem alimentos no interior.
 - Não retire a ficha da tomada do seu frigorífico. Se houver uma falha de energia inesperada, por favor consulte os avisos na secção “Soluções recomendadas para os problemas”.
- A embalagem original e os materiais de esponja deverão ser guardados para transportes ou deslocações futuras.

Pontos a serem considerados ao transportar novamente o seu frigorífico

1. O seu frigorífico deve ser esvaziado e limpo antes de ser transportado.
2. As prateleiras, acessórios, gaveta para frutas e legumes, etc. do seu frigorífico devem ser firmemente presos com fita adesiva, devido aos solavancos antes de voltar a empacotá-lo.
3. A embalagem deve ser amarrada com fitas grossas e cordas fortes e devem ser seguidas as normas de transporte indicadas na mesma.

Não se esqueça...

Todo material reciclado é uma fonte indispensável para a natureza e para os nossos recursos nacionais.

Se quiser contribuir para a reciclagem dos materiais da embalagem, pode obter mais informações nos organismos relativos ao ambiente ou junto das autoridades locais.

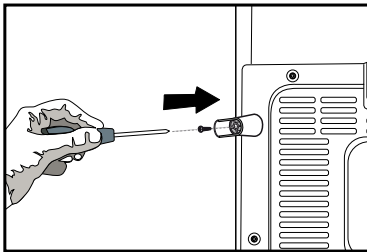
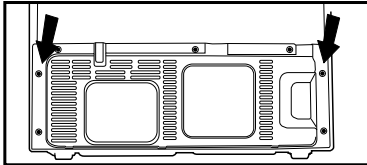
Substituir a lâmpada de iluminação

Para substituir a lâmpada utilizada para a iluminação do seu frigorífico, por favor chame o seu Serviço de Assistência Autorizado.

Antes de funcionar o seu frigorífico

Antes de iniciar a utilização do seu frigorífico, verifique o seguinte:

1. O interior do frigorífico está seco e o ar pode circular livremente na sua parte traseira?
2. Introduza os 2 calços plásticos na ventilação traseira, conforme mostrado na figura seguinte. Desaparafuse os existentes e use os parafusos fornecidos no saco dos calços. Os calços plásticos proporcionarão a distância necessária entre o seu frigorífico e a parede, permitindo assim a livre circulação do ar.



3. Limpe o interior do frigorífico conforme recomendado na secção “Manutenção e limpeza”.
4. Ligue o frigorífico à tomada eléctrica. Quando a porta é aberta a respectiva luz interior liga.
5. Ouvirá um ruído quando o compressor começar a trabalhar. O líquido e os gases no interior do sistema de refrigeração também podem fazer algum ruído, mesmo que o compressor não esteja a funcionar, o que é perfeitamente normal.
6. As arestas da frente do frigorífico podem ficar quentes. Isto é normal. Estas arestas são projectadas para ficarem quentes, a fim de evitar a condensação.

Ligação eléctrica

Ligue o seu frigorífico a uma tomada de terra, que esteja protegida por um fusível com a capacidade apropriada.

Importante:

- A ligação deve estar em concordância com os regulamentos nacionais.
 - A ficha do cabo de alimentação deve estar facilmente acessível após a instalação.
 - A voltagem e o fusível de protecção permitido estão indicados na secção “Especificações técnicas”.
 - A voltagem especificada deve ser igual à sua voltagem eléctrica.
 - Não devem ser usados cabos de extensão e fichas multiusos para a ligação.
- ⚠ Um cabo de alimentação danificado deve ser substituído por um electricista qualificado.
- ⚠ O equipamento não deve ser utilizado antes de ser reparado! Há risco de choque eléctrico!

Eliminação da embalagem

Os materiais de embalagem podem ser perigosos para as crianças. Guarde os materiais da embalagem fora do alcance das crianças ou elimine-os, classificando-os de acordo com as instruções sobre o lixo. Não os elimine juntamente com o lixo doméstico normal.

A embalagem do seu frigorífico é produzida com materiais recicláveis.

Eliminação do seu frigorífico velho

Elimine a sua máquina velha sem causar qualquer perigo ao meio ambiente.

- Pode consultar o seu revendedor autorizado ou o centro de recolha do lixo do seu município a respeito da eliminação do seu frigorífico.

Antes de se desfazer do seu frigorífico, corte a ficha eléctrica e, se houver trincos nas portas, deixe-os inutilizados, a fim de proteger as crianças contra qualquer perigo.

Colocação e instalação

Cuidado: Nunca ligue o frigorífico à tomada de parede durante a instalação. Caso contrário, poderá ocorrer perigo de morte ou ferimentos graves.

Se a porta de entrada do compartimento onde o frigorífico será instalado não for o suficientemente larga para que ele passe, chame o serviço de assistência autorizado para que possam remover as portas do seu frigorífico e passá-lo de forma inclinada através da porta.

1. Instale o seu frigorífico num local que permita fácil acesso.
2. Mantenha o seu frigorífico longe das fontes de calor, lugares húmidos e luz solar directa.
3. Deve existir uma circulação de ar adequada à volta do seu frigorífico, para que obtenha um funcionamento eficiente. Se o frigorífico for colocado numa reentrância da parede, deve haver uma distância mínima de 5 cm do tecto e, pelo menos, 5 cm da parede.

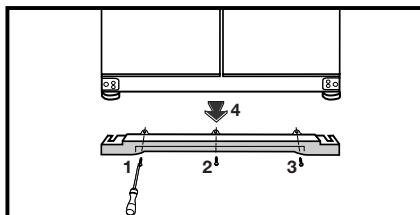
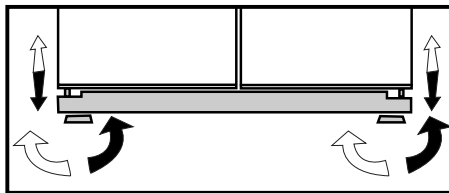
Se o piso for coberto por alcatifa, o seu produto deve ter uma elevação de 2,5 cm do chão.

4. Coloque o seu frigorífico num pavimento uniforme para evitar solavancos.
5. Não mantenha o seu frigorífico em temperaturas ambientes inferiores a 10 °C.

Ajuste do nivelamento do pavimento

Se o seu frigorífico estiver desnivelado;

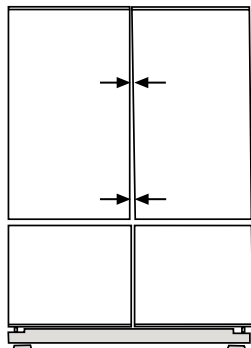
1- A tampa de ventilação é removida desapertando os seus parafusos, conforme ilustrado na figura antes do procedimento. Pode equilibrar o seu frigorífico, rodando os seus pés frontais conforme ilustrado na figura. O canto onde está o pé é baixado quando roda na direcção da seta preta e levantado quando roda na direcção oposta. Peça ajuda a alguém para erguer ligeiramente o frigorífico, facilitará este processo.



2. Após o equilíbrio ter sido solucionado, instale de volta a tampa de ventilação e aperte os parafusos.

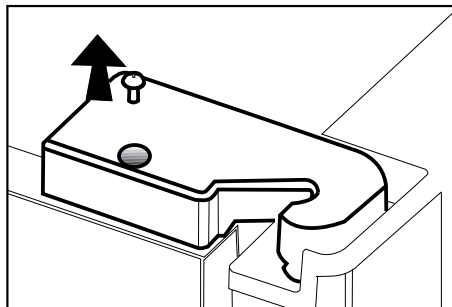
3. Remova os parafusos que fixam a tampa de ventilação usando uma chave de fendas Philips.

Ajustar o espaço entre a porta superior

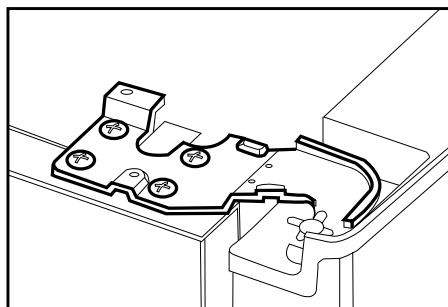


• Pode ajustar o espaço entre as portas do compartimento do refrigerador, conforme ilustrado nas figuras.

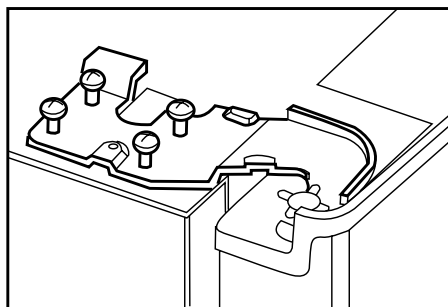
As prateleiras da porta devem estar vazias quando ajustar a altura da porta.



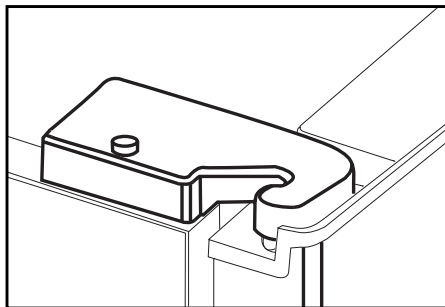
• Com uma chave de fendas, remova o parafuso da cobertura da dobradiça superior que pretende ajustar.



• Ajuste a porta conforme pretendido, apertando os parafusos.



• Fixe a porta que ajustou apertando os parafusos, sem alterar a posição da porta.

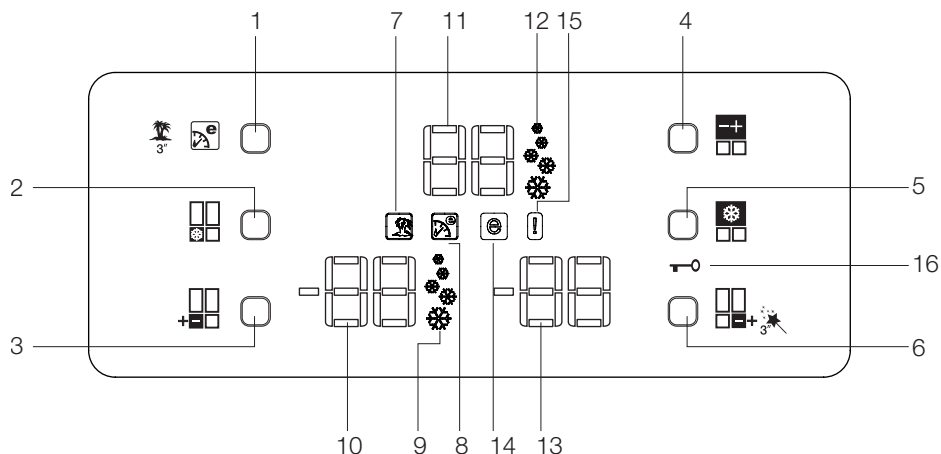


• Recoloque a cobertura da dobradiça e fixe com o parafuso.

4 Utilizar o seu frigorífico

Painel indicador

Este painel indicador por controlo digital permite-lhe definir a temperatura, sem abrir a porta do seu frigorífico. Basta tocar no botão correspondente com o seu dedo para definir a temperatura.



1. Botão Eco Extra/Vacation
2. Botão Fast Freeze (Congelação rápida)
3. Botão de definição da temperatura do compartimento do congelador
4. Botão de definição da temperatura do compartimento do refrigerador
5. Botão Quick Cool
6. Botão de definição da temperatura do compartimento de armazenamento Multi Zona
7. Indicador da função Vacation (Férias)
8. Indicador da função Eco Extra
9. Indicador da função Quick Freeze (Congelação rápida)
10. Indicador da temperatura do compartimento do congelador
11. Indicador da temperatura do compartimento do refrigerador
12. Indicador da função Quick Cool (Arrefecimento rápido)
13. Indicador da temperatura do compartimento de armazenamento Multi Zona
14. Indicador do Economy Mode (Modo economia)
15. Indicador do tipo de erro
16. Indicador do bloqueio de tecla

1. Botão Eco Extra/Vacation

Prima este botão rapidamente para activar a função Eco Extra. Mantenha este botão premido por 3 seg. para activar a função Vacation (Férias). Prima novamente este botão para desactivar a função seleccionada.

2. Botão Fast Freeze

Prima este botão rapidamente para activar a função Fast Freeze. Prima novamente este botão para desactivar a função seleccionada.

3. Botão de ajuste da temperatura do compartimento do congelador

Prima este botão para definir a temperatura do compartimento do congelador para -18, -20, -22, -24, -18... respectivamente. Prima este botão para definir a temperatura pretendida para o compartimento do congelador.

4. Botão de ajuste da temperatura do compartimento do refrigerador

Prima este botão para definir a temperatura do compartimento do refrigerador para 8, 6, 4, 2, 8... respectivamente. Prima este botão para definir a temperatura pretendida para o compartimento do refrigerador.

5. Botão 'Quick Cool'

Prima este botão rapidamente para activar a função Quick Cool. Prima novamente este botão para desactivar a função seleccionada.

6. Botão de definição da temperatura do compartimento de armazenamento Multi Zona

Pode definir o compartimento de armazenamento da Multi Zona tanto para congelação como para arrefecimento. Mantenha este botão premido por 3 seg. para definir o compartimento de

armazenamento da Multi Zona para congelação ou para arrefecimento. Este compartimento vem definido por fábrica como compartimento de congelação.

Se o compartimento de armazenamento da Multi Zona estiver definido como para congelação, então a temperatura do compartimento para armazenamento da Multi Zona alterará conforme -18, -20, -22, -24, -18... respectivamente, cada vez que premir este botão. Se o compartimento de armazenamento da Multi Zona estiver definido como para resfrição, então a temperatura do compartimento para armazenamento da Multi Zona alterará conforme 10, 8, 6, 4, 2, 0, -6,... respectivamente, cada vez que premir este botão.

7. Indicador da função 'Vacation' (Férias)

Indica que a função Vacation está activa. Se a função estiver activa, "- -" aparece no indicador do compartimento do refrigerador e não é realizado qualquer arrefecimento no compartimento do refrigerador. Outros componentes serão arrefecidos de acordo com a temperatura definida para eles.

Prima novamente este botão para desactivar esta função.

8. Indicador de função Eco Extra

Indica que a função Eco Extra está activa. Se esta função estiver activa, o seu frigorífico detectará automaticamente os períodos de menor utilização e o arrefecimento com eficiência energia será realizado durante estas alturas. O indicador de Economia estará activo enquanto o arrefecimento com eficiência de energia estiver a ser realizado.

Prima novamente este botão para desactivar esta função.

9. Indicador da função ‘Quick Freeze’ (Congelação rápida)

Indica que a função Quick Freezer está activa. Utilize esta função quando colocar alimentos frescos no compartimento do congelador ou quando precisar de gelo. Quando esta função estiver activa, o seu frigorífico funcionará por 6 horas sem interrupção.

Prima novamente este botão para desactivar esta função.

10. Indicador da temperatura do compartimento do congelador

Indica a temperatura definida para o compartimento do congelador.

11. Indicador da temperatura do compartimento do refrigerador

Indica a temperatura definida para o compartimento do refrigerador.

12. Indicador da função ‘Quick Cool’ (Arrefecimento rápido)

Indica que a função Quick Cool está activa. Utilize esta função quando colocar alimentos frescos no compartimento do refrigerador ou quando precisar de gelo. Quando esta função estiver activa, o seu frigorífico funcionará por 2 horas sem interrupção.

Prima novamente este botão para desactivar esta função.

13. Indicador da temperatura do compartimento de armazenamento Quick Multi Zona

Indica a temperatura definida para o compartimento de armazenamento da Multi Zona.

14. Indicador do ‘Economy Mode’ (Modo economia)

Indica que o frigorífico está a funcionar no modo com eficiência de energia. Temperatura do compartimento do congelador

Este indicador estará activo se a função estiver definida para -18 ou se o arrefecimento com eficiência de energia estiver a ser realizado devido a função Eco-Extra.

15. Indicador do tipo de erro

Se o seu frigorífico não arrefecer adequadamente ou se houver falha no sensor, este indicador será activado. Quando este indicador estiver activo, o indicador da temperatura do compartimento do congelador exibirá “E” e o indicador da temperatura do compartimento do refrigerador exibirá números, tais como “1,2,3...”. Estes números no indicador informam sobre o erro ao pessoal da assistência técnica.

16. Indicador de bloqueio de tecla

Use esta função se não quiser que a definição da temperatura do seu frigorífico seja alterada. Prima simultaneamente o botão Quick Cool e o botão de definição da temperatura do compartimento de armazenamento da Multi Zona durante 3 seg. para activar esta funcionalidade. Prima novamente os botões correspondentes para desactivar esta função.

Alarme da porta aberta:

Se a porta do compartimento do refrigerador ou a porta do compartimento de armazenamento da **Multi Zona** permanecer aberta durante no mínimo 1 minuto, o alarme sonoro de porta aberta será activado. Para silenciar o alarme, basta premir qualquer botão no indicador ou fechar a porta aberta.

Tabuleiro para ovos

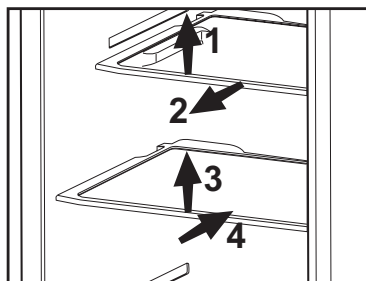
- Poderá instalar o suporte para ovos na porta que desejar ou prateleira da estrutura.
- Nunca guarde o suporte para ovos no compartimento do congelador

Prateleiras de estrutura deslizante

- As prateleiras de estrutura deslizante podem ser puxadas, levantando-se ligeiramente a parte frontal e movendo para trás e para frente. Elas atingem um ponto de paragem quando puxadas para frente para permitir que alcance os alimentos colocados no fundo da prateleira; quando são puxadas após levantar ligeiramente até o segundo ponto de paragem, a prateleira de estrutura será solta.

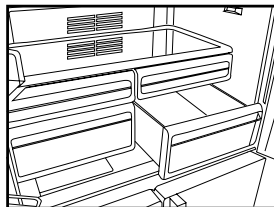
A prateleira deverá ser segurada firmemente pelo fundo, para impedir que revire. A prateleira de estrutura é colocada nas guias nas partes laterais da estrutura do frigorífico, colocando-a num nível inferior ou superior.

A prateleira de estrutura deverá ser empurrada para trás, para ficar completamente encaixada.



Gaveta para frutos e legumes

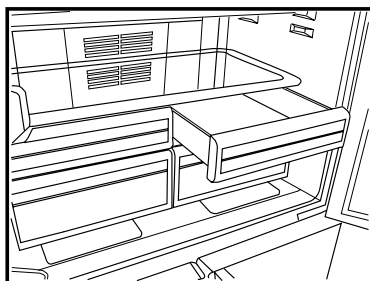
A gaveta para frutos e legumes do seu frigorífico foi especialmente projectada para guardar os seus legumes frescos sem que percam a sua humidade. Para este propósito, a circulação de ar frio ocorre por toda a gaveta.



Compartimento de resfriamento

Os compartimentos de arrefecimento possibilitam que os alimentos arrefecidos estejam prontos para congelar. Também pode usar estes compartimentos para armazenar os seus alimentos numa temperatura de alguns graus abaixo no compartimento do refrigerador.

Pode aumentar o volume interno do seu frigorífico, removendo algum dos compartimentos para salgadinhos (snack). Para fazer isso, puxe o compartimento em direcção a si; o compartimento apoiar-se-á no retentor e parará. Este compartimento será libertado quando o levantar cerca de 1cm e puxá-lo em direcção a si.



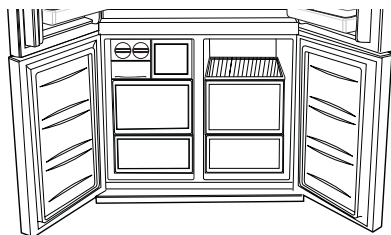
Secção de rotação do meio

A secção de rotação do meio está concebida para impedir que o ar frio no interior do seu frigorífico escape para fora. A secção de rotação do meio ajuda na vedação, uma vez que as juntas da porta pressionam a superfície da secção de rotação do meio, quando as portas do compartimento do refrigerador são fechadas. O motivo do seu frigorífico estar equipado com uma secção de rotação do meio é para amentar o volume líquido do compartimento do refrigerador. As secções do meio padronizadas ocupam um volume não utilizável no frigorífico. A secção de rotação do meio deve ser fechada quando a porta esquerda do compartimento do refrigerador é aberta. Não deve ser aberta manualmente, ela é rodada através de uma parte plástica montada no compartimento.

Compartimento de armazenamento da zona Multi

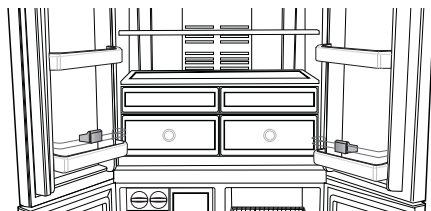
O compartimento de armazenamento da zona Multi do seu frigorífico pode ser usado em qualquer modo pretendido, ajustando as temperaturas do frigorífico (2/4/6/8 °C) ou do congelador (-18/-20/-22/-24). Pode manter o compartimento na temperatura pretendida através do Botão de definição da temperatura do compartimento de armazenamento da Zona Multi. A temperatura do compartimento de armazenamento da zona Multi pode ser definida para 0 e 10 graus além das temperaturas do compartimento do refrigerador e para -6 graus além das temperaturas do compartimento do congelador. 0 graus é usado para armazenar produtos de charcutaria por mais tempo e -6 graus é usado para conservar carnes até 2 semanas, numa condição que facilita o corte.

i A função de permutar para um compartimento do Congelador ou do Refrigerador é fornecida através do elemento de arrefecimento localizado na secção fechada (compartimento do compressor) atrás do frigorífico. Durante o funcionamento deste elemento, podem ser ouvidos sons semelhantes aos sons do correr dos segundos num relógio. Esta situação é normal e não é causa de problema.



Luz azul

Os alimentos guardados nas gavetas para frutas e legumes que são iluminados com uma luz azul, continuam a sua fotossíntese através do efeito de extensão de onda da luz azul e por isso, conservam a sua frescura e o seu conteúdo vitamínico é aumentado.



5 Manutenção e limpeza

- ⚠ Não utilize gás, benzina, ou produtos similares para efectuar a limpeza.
- ⚠ Deve retirar a tomada da tomada do sector antes de efectuar a limpeza.
- Não utilize ferramentas aguçadas, abrasivas, sabão, materiais domésticos de limpeza e detergentes ou polidores para efectuar a limpeza.
- Limpe o interior do frigorífico com água morna, e seque correctamente.
- Limpe o interior com um pano molhado numa solução de uma colher de café de bicarbonato de sódio em ½ litro de água e seque.
- Verifique se não deixa água no compartimento da lâmpada e noutras partes eléctricas.
- Se não utilizar o seu frigorífico durante um longo período de tempo, desligue da ficha do sector, retire todos os alimentos, limpe a unidade e deixe a porta aberta.
- Verifique regularmente se as juntas da porta estão limpas e sem partículas.
- Retire todos os elementos das prateleiras da porta, levante-as e remova as prateleiras.

Proteger as superfícies de plástico

- Não coloque óleo ou alimentos cozinhados no óleo no interior do frigorífico dentro de recipientes abertos, porque podem provocar danos nas superfícies de plástico do frigorífico. Limpe imediatamente as respectivas zonas com água morna e seque caso o óleo tenha salpicado ou se tenha espalhado nas superfícies de plástico.

6 Soluções recomendadas para os problemas

Por favor, reveja esta lista antes de telefonar para a assistência. Com isso, pode poupar tempo e dinheiro. Esta lista abrange as reclamações frequentes resultantes de defeitos de fabricação ou utilização do material. Algumas das funções descritas aqui podem não existir no seu produto.

O frigorífico não funciona
<ul style="list-style-type: none">• O frigorífico tem a ficha eléctrica ligada correctamente à tomada? Introduza a ficha na tomada de parede.• O fusível da tomada na qual o frigorífico está ligado ou o fusível principal não está queimado? Verifique o fusível.
Condensação na parede lateral do compartimento do frigorífico. (MULTI ZONA, CONTROLO DE ARREFECIMENTO ve FLEXI ZONA)
<ul style="list-style-type: none">• Condições ambientais muito frias. Abertura e fecho frequentes da porta. Condições ambientais de alta humidade. Armazenamento de alimentos que contém líquidos em recipientes abertos. A porta foi deixada entreaberta.• Comute o termóstato para um grau mais frio.• Diminua o número de vezes de abertura da porta ou utilize menos frequentemente.• Cubra os alimentos guardados em recipientes abertos com um material apropriado.• Limpe a condensação usando um pano seco e verifique a persistência.
O compressor não está a funcionar.
<ul style="list-style-type: none">• A protecção térmica do compressor deixará de funcionar durante falhas eléctricas repentinas ou na extracção/colocação da ficha eléctrica, já que a pressão refrigerante no sistema de arrefecimento do frigorífico ainda não se encontra estabilizada.• O seu frigorífico voltará a funcionar aproximadamente 6 minutos depois. Por favor, chame a assistência se o seu frigorífico não começar a operar no fim deste período.• O frigorífico está no ciclo de descongelação. Isto é normal num frigorífico de descongelação totalmente automático. O ciclo de descongelação ocorre periodicamente.• O seu frigorífico não está ligado à tomada. Certifique-se de que a ficha está introduzida firmemente na tomada de parede.• A regulação da temperatura está feita correctamente? Há uma falha eléctrica. Telefone para a empresa de electricidade.

O frigorífico está a funcionar frequentemente ou por um longo tempo.
<ul style="list-style-type: none"> • O seu novo frigorífico pode ser mais largo do que o anterior. Esta situação é perfeitamente normal. Os frigoríficos grandes operam por um período maior de tempo. • A temperatura ambiente pode estar elevada. Isto é bastante normal. • O frigorífico foi ligado à tomada há pouco tempo ou carregado com alimentos. O arrefecimento total do frigorífico pode demorar mais do que duas horas. • Podem ter sido colocadas recentemente grandes quantidades de alimentos quentes no frigorífico. Os alimentos quentes obrigam a um funcionamento mais vigoroso do frigorífico até que alcance a temperatura segura de armazenamento. • As portas podem estar a ser abertas frequentemente ou foram deixadas entreabertas por longo tempo. O ar quente que entrou no frigorífico faz com que o mesmo tenha que funcionar por períodos mais longos. Abra as portas com menos frequência. • A porta do compartimento do frigorífico ou do congelador pode ter sido deixada entreaberta. Verifique se as portas estão completamente fechadas. • O frigorífico está ajustado para uma temperatura muito baixa. Ajuste a temperatura do frigorífico para um grau mais quente e aguarde até que a temperatura seja atingida. • O vedante da porta do frigorífico ou do congelador pode estar sujo, gasto, roto ou não ajustado correctamente. Limpe ou substitua o vedante. O vedante danificado/ roto faz com que o frigorífico funcione por um período de tempo maior para que mantenha a temperatura actual.
A temperatura do congelador está muito baixa, enquanto que a temperatura do frigorífico é suficiente.
<ul style="list-style-type: none"> • A temperatura do congelador está ajustada para uma temperatura muito baixa. Ajuste a temperatura do congelador para um grau mais quente e verifique.
A temperatura do refrigerador está muito baixa, enquanto que a temperatura do congelador é suficiente.
<ul style="list-style-type: none"> • A temperatura do refrigerador está ajustada para uma temperatura muito baixa. Ajuste a temperatura do refrigerador para um grau mais quente e verifique.
Os alimentos guardados nas gavetas do compartimento do refrigerador estão congelados.
<ul style="list-style-type: none"> • A temperatura do refrigerador está ajustada para uma temperatura muito baixa. Ajuste a temperatura do refrigerador para um grau mais quente e verifique.
A temperatura no refrigerador ou no congelador é muito alta.
<ul style="list-style-type: none"> • A temperatura do refrigerador está ajustada para um grau muito alto. O ajuste do refrigerador tem efeito na temperatura do congelador. Altere a temperatura do refrigerador ou do congelador até que a temperatura do refrigerador ou do congelador atinja um nível suficiente. • A porta pode ter sido deixada entreaberta. Feche totalmente a porta. • Podem ter sido colocadas recentemente grandes quantidades de alimentos quentes no frigorífico. Aguarde até que o refrigerador ou o congelador atinja a temperatura desejada. • O frigorífico pode ter sido ligado à tomada há pouco tempo. O arrefecimento total do frigorífico demora um certo tempo devido ao seu tamanho.

Surge do frigorífico um ruído semelhante ao som dos segundos ouvido a partir de um relógio analógico.
<ul style="list-style-type: none"> Este ruído é oriundo da válvula selenóide do frigorífico. A válvula selenóide funciona com a finalidade de assegurar a passagem do gás de arrefecimento através do compartimento que pode ser ajustado para temperaturas de arrefecimento ou de congelação e executa funções de arrefecimento. Esta situação é normal e não é causa de problema.
O ruído de funcionamento aumenta quando o frigorífico está a funcionar.
<ul style="list-style-type: none"> As características do desempenho de funcionamento do frigorífico podem variar conforme as alterações na temperatura ambiente. Esta situação é normal e não é um problema.
Vibrações ou ruído.
<ul style="list-style-type: none"> O piso não está nivelado ou não é resistente. O frigorífico balança quando deslocado lentamente. Certifique-se de que o piso está nivelado, é resistente e capaz de suportar o frigorífico. O ruído pode ser causado pelos itens colocados sobre o frigorífico. Tais itens devem ser retirados de cima do frigorífico.
Há ruídos como líquidos a verter ou gotejar.
<ul style="list-style-type: none"> Os fluxos de gás e líquidos acontecem conforme os princípios de funcionamento do seu frigorífico. Esta situação é normal e não é um problema.
Há um ruído parecido com o vento a soprar.
<ul style="list-style-type: none"> Os activadores de ar (ventoinhas) são usados para permitir que o frigorífico arrefeça eficientemente. Esta situação é normal e não é um problema.
Condensação nas paredes internas do frigorífico.
<ul style="list-style-type: none"> O tempo quente e húmido aumenta a formação de gelo e de condensação. Esta situação é normal e não é um problema. As portas estão entreabertas. Certifique-se que as portas estejam completamente fechadas. As portas podem estar a ser abertas com muita frequência ou estão a ser deixadas abertas por muito tempo. Abra a porta com menos frequência.
Há ocorrência de humidade no exterior do frigorífico ou entre as portas.
<ul style="list-style-type: none"> O tempo pode estar húmido. Isto é bastante normal num tempo húmido. Quando a humidade for menor, a condensação irá desaparecer.
Maus odores dentro do frigorífico.
<ul style="list-style-type: none"> O interior do frigorífico deve ser limpo. Limpe o interior do frigorífico com uma esponja, água quente ou água com gás. Alguns recipientes ou materiais de embalagem podem exalar cheiros. Utilize um recipiente diferente ou um material de embalagem de marca diferente.
A(s) porta(s) não está(ão) fechada(s).
<ul style="list-style-type: none"> Os pacotes de alimentos podem impedir o fecho da porta. Coloque de outra forma as embalagens que estão a obstruir a porta. O frigorífico pode não estar completamente na vertical no piso e poderá balançar quando ligeiramente movido. Ajuste os pés frontais para maior elevação. O piso não é sólido ou não está nivelado. Certifique-se de que o piso está nivelado e capaz de suportar o frigorífico.
As gavetas para frutos e legumes estão bloqueadas.
<ul style="list-style-type: none"> Os alimentos podem estar a tocar o tecto da gaveta. Arrume novamente os alimentos na gaveta.

Prosimy najpierw przeczytać tę instrukcję obsługi!

Droży Klienci,

Mamy nadzieję, że nasz wyrób, wyprodukowany w nowoczesnym zakładzie i sprawdzony według najbardziej drobiazgowych procedur kontroli jakości, będzie Wam dobrze służył.




Dlatego zalecamy, aby uważnie przeczytać całą instrukcję obsługi tego wyrobu przed jego uruchomieniem i zachować ją do wglądu w przyszłości.

Instrukcja niniejsza

- Pomoże używać tego urządzenia sprawnie i bezpiecznie.
- Przeczytajcie tę instrukcję przed zainstalowaniem i uruchomieniem lodówki.
- Postępujcie zgodnie z tymi wskazówkami, zwłaszcza dotyczącymi bezpieczeństwa.
- Przechowujcie tę instrukcję w łatwo dostępnym miejscu, bo może się przydać później.
- Prosimy przeczytać także inne dokumenty dostarczone wraz z lodówką. Prosimy zauważyć, że instrukcja ta może odnosić się także do innych modeli.

Symbole i ich znaczenie

Niniejsza instrukcja obsługi zawiera następujące symbole:

-  Ważne informacje lub przydatne wskazówki użytkownika.
-  Ostrzeżenie przed zagrożeniem życia i mienia
-  Ostrzeżenie przed porażeniem elektrycznym.

Niniejsze urządzenie jest zgodne z następującymi Dyrektywami Unii Europejskiej:

- 2006/95/WE LVD (Niskie Napięcia)

- 2004/108/WE EMC (Kompatybilność EI-elektromagnetyczna)

Importer: Beko S.A.

ul. Cybernetyki 7, 02-677 Warszawa



Wyrób ten nosi symbol selektywnego sortowania odpadów urządzeń elektrycznych i elektronicznych (WEEE).

Znaczy to, że w celu zminimalizowania oddziaływania na środowisko naturalne wyrób ten należy poddać utylizacji lub rozebrać zgodnie z Dyrektywą Europejską 2002/96/WE. Bliższe informacje uzyskać można od władz lokalnych lub regionalnych.

Ze względu na zawartość substancji szkodliwych wyroby elektroniczne nie poddane procesowi selektywnego sortowania mogą być niebezpieczne dla środowiska naturalnego i zdrowia ludzi.

SPIS TREŚCI

1 Oto Wasza lodówka 3

2 Ważne ostrzeżenia dot. bezpieczeństwa 4

Zamierzone przeznaczenie	4
Ogólne zasady bezpieczeństwa.....	4
Bezpieczeństwo dzieci	6
Ostrzeżenie HCA	7
Co zrobić, aby oszczędzać energię. 7	
Zalecenia dot. komory na żywność świeżą.	7

3 Instalacja 8

Przygotowanie.....	8
W razie potrzeby ponownego transportu lodówki należy przestrzegać następujących wskazówek:	8
Wymiana lampki oświetlenia	8
Przed uruchomieniem lodówki.....	9
Połączenia elektryczne	9
Pozbywanie się opakowania.....	9
Złomowanie starej lodówki.....	10
Ustawienie i instalacja.....	10
Wyrównanie nierówności podłogi. 10	
Ustawianie szczeliny między górnymi drzwiczkami	11

4 Użytkowanie lodówki 12

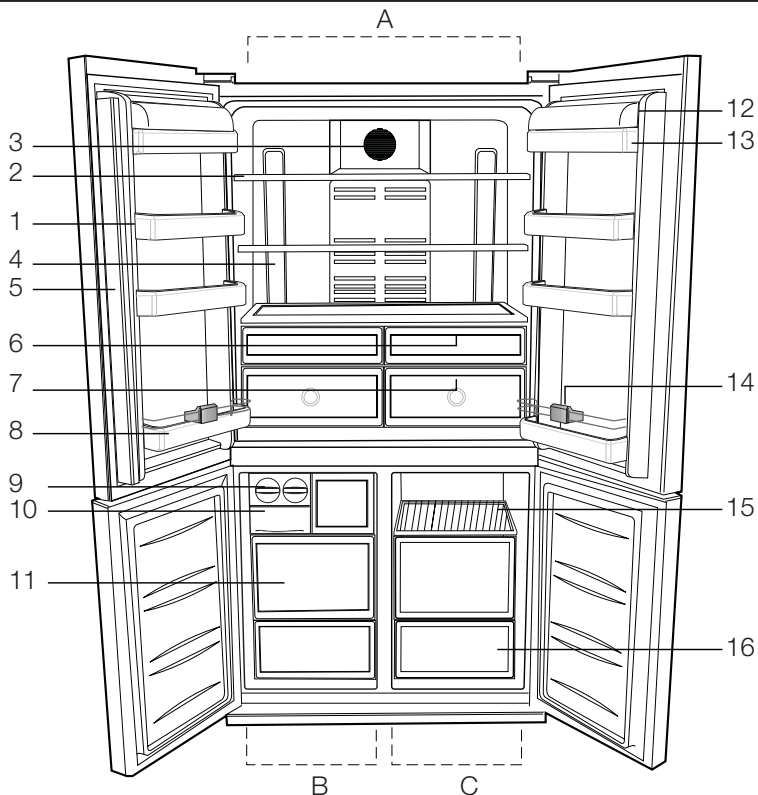
Panel wskaźników	12
Półki wysuwane.....	15
Alarm z powodu otwartych drzwiczek:	15
Pojemnik na świeże warzywa	15
Komora schładzania	15
Półka na jajka	15
Obrotowa sekcja środkowa	16
Komora Multi Zone	16
Niebieskie światło	16

5 Konserwacja i czyszczenie 17

Zabezpieczenia powierzchni plastikowych	17
---	----

6 Zalecane rozwiązania problemów 18

1 Oto Wasza lodówka



- A- Komora chłodziarki
B- Komora zamrażalnika
C- Komora Multi Zone
- 1- Półki w drzwiczkach komory chłodziarki
2- Nastawiane półki w komorze chłodziarki
3- Pokrywa dyfuzora
4- Klosz lampy
5- Obrotowa sekcja środkowa
6- Komora schładzania
7- Pojemnik na świeże warzywa
8- Półka na butelki
9- Kostkarka lcematic
- 10- Pojemnik na lód
11- Komory na żywność mrożoną
12- Pokrywa półki na masło i sery
13- Półka na masło i sery
14- Uchwyt na butelki
15- Półki w komorze Multi Zone
16- Pojemnik komory Multi Zone

ⓘ Rysunki w niniejszej instrukcji to tylko schematy i nie muszą ściśle odpowiadać Waszemu modelowi chłodziarki. Jeśli pewnych części nie ma w Waszej chłodziarce, to znaczy, że odnoszą się do innych modeli.

2 Ważne ostrzeżenia dot. bezpieczeństwa

Prosimy przeczytać następujące ostrzeżenia. Ich nieprzestrzeganie grozi obrażeniami lub uszkodzeniem mienia. W takim przypadku tracą ważność wszelkie gwarancje i zapewnienia niezawodności.

Czas użytkowania nabytego urządzenia wynosi 10 lat. Przez ten czas utrzymujemy części zamienne potrzebne do jego zgodnego z opisem funkcjonowania.

Zamierzone przeznaczenie

- Urządzenie można używać wyłącznie w gospodarstwie domowym oraz:
 - na zapleczu kuchennych personelu w sklepach, biurach i w innych miejscach pracy;
 - w kuchniach wiejskich i przez gości hotelowych, w motelach i innych tego rodzaju miejscach;
 - w pensjonatach serwujących nocleg ze śniadaniem;
 - cateringu i w innych tego rodzaju zastosowaniach niedetalicznych.
- Nie należy używać jej na dworze. Nie nadaje się do użytkowania na dworze, nawet w miejscach zadaszonych.

Ogólne zasady bezpieczeństwa

- Gdy zechcecie pozbyć się tego urządzenia/ złomować je, zalecamy skonsultowanie się z autoryzowanym serwisem, aby uzyskać potrzebne informacje i poznać kompetentne organa.
- Konsultujcie się z Waszym autoryzowanym serwisem w sprawach wszelkich pytań i problemów związanych z tą lodówką.

Bez powiadomienia autoryzowanego serwisu nie wolno samemu ani innym osobom naprawiać chłodziarki.

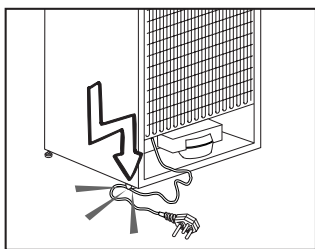
- Nie jedzcie lodów ani lodu bezpośrednio po wyjęciu ich z zamrażalnika! (Może to spowodować odmrożenia w ustach).
- Nie wkładajcie do zamrażalnika napojów w puszkach ani w butelkach. Mogą wybuchnąć.
- Nie dotykajcie palcami mrożonej żywności, bo może do nich przylgnąć.
- Do czyszczenia i rozmrażania lodówki nie wolno stosować pary ani środków czyszczących w tej postaci. W takich przypadkach para może zetknąć się z częściami urządzeń elektrycznych i spowodować zwarcie albo porażenie elektryczne.
- Nie wolno używać żadnych części lodówki, takich jak drzwiczki, jako podpory ani stopnia.
- Wewnątrz lodówki nie wolno używać urządzeń elektrycznych.
- Nie wolno uszkadzać obwodu chłodzącego, w którym krąży środek chłodzący, narzędziami do wiercenia i cięcia. Środek chłodzący, który może wybuchnąć skutkiem przedziurawienia przewodów gazowych parownika, przedłużeń rur lub powłok powierzchni, może spowodować podrażnienia skóry lub obrażenia oczu.
- Nie przykrywajcie żadnym materiałem ani nie blokujcie otworów wentylacyjnych w lodówce.
- Urządzenia elektryczne naprawiać mogą tylko wykwalifikowani fachowcy. Naprawy wykonywane przez osoby

niekompetentne mogą powodować zagrożenie dla użytkowników.

- W razie jakiegokolwiek awarii, a także w trakcie prac konserwacyjnych lub napraw, odłączcie lodówkę od zasilania z sieci albo wyłączając odnośny bezpiecznik, albo wyjmując wtyczkę z gniazdka.
- Wyjmując przewód zasilający z gniazdka należy ciągnąć za wtyczkę, nie za przewód.
- Napoje o wyższej zawartości alkoholu wkładajcie do lodówki w ściśle zamkniętych naczyniach i w pozycji pionowej.
- W urządzeniu nie należy przechowywać substancji wybuchowych ani pojemników z łatwopalnymi gazami pędnymi.
- W celu przyspieszenia procesu rozmrażania lodówki nie należy używać żadnych urządzeń mechanicznych ani innych środków poza zalecanymi przez jej producenta.
- Urządzenie to nie jest przeznaczone do obsługi przez osoby (w tym dzieci) z ograniczoną sprawnością fizyczną, zmysłową lub umysłową, czy bez odpowiedniego doświadczenia i umiejętności, o ile nie zapewni się im nadzoru lub instrukcji jego użytkowania ze strony osoby odpowiedzialnej za ich bezpieczeństwo.
- Nie uruchamiajcie lodówki, jeśli jest uszkodzona. W razie wątpliwości należy się skonsultować z serwisem.
- Bezpieczeństwo elektryczne tej lodówki gwarantuje się tylko jeśli system uziemienia Waszej instalacji domowej spełnia wymogi norm.
- Wystawianie tego urządzenia na działanie deszczu, śniegu, słońca i

wiatru zagraża jego bezpieczeństwu elektrycznemu.

- W razie uszkodzenia przewodu zasilającego itp. skontaktujcie się z autoryzowanym serwisem, aby nie narażać się na zagrożenie.
- W trakcie instalowania chłodziarki nigdy nie wolno włączać wtyczki w gniazdko w ścianie. Może to zagrażać śmiercią lub poważnym urazem.
- Chłodziarka ta służy wyłącznie do przechowywania żywności. Nie należy jej używać w żadnym innym celu.
- Etykieta z danymi technicznymi chłodziarki umieszczona jest po lewej stronie w jej wnętrzu.
- Nie przyłączaj tej chłodziarki do systemu oszczędzania energii, ponieważ może to ją uszkodzić.
- Jeśli chłodziarka wyposażona jest w niebieskie światło, nie patrz na nie poprzez przyrządy optyczne.
- Jeśli od ręcznie nastawianej chłodziarki odłączy się zasilanie, prosimy odczekać co najmniej 5 minut, zanim ponownie się je załączy.
- Jeżeli zmieni się właściciel tej chłodziarki, niniejszą instrukcję obsługi należy przekazać wraz z nią nowemu właścicielowi.
- Przy przesuwaniu chłodziarki uważaj, żeby nie uszkodzić przewodu zasilającego. Aby zapobiec pożarowi nie wolno skręcać tego przewodu. Nie ustawiać na przewodzie żadnych ciężkich przedmiotów. Gdy wtyczka chłodziarki jest wsadzona do gniazdka nie wolno jej dotykać wilgotnymi dłońmi.



- Nie wsadzaj wtyczki chłodziarki do obluzowanego gniazdka.
- Ze względów bezpieczeństwa nie przyskaj wodą bezpośrednio na zewnętrzne ani na wewnętrzne części chłodziarki.
- Ze względu na zagrożenie pożarem i wybuchem nie rozpylaj łatwopalnych materiałów, takich jak gaz propan itp., w pobliżu chłodziarki.
- Nie stawiaj na chłodziarce przedmiotów wypełnionych wodą, ponieważ grozi to porażeniem elektrycznym lub pożarem.
- Nie przeciążaj chłodziarki nadmierną ilością żywności. Nadmiar żywności może wypaść, gdy otwiera się drzwiczki, narażając użytkownika na obrażenia ciała lub uszkodzenie chłodziarki. Nie wolno stawiać żadnych przedmiotów na chłodziarce, ponieważ mogą spaść przy otwieraniu lub zamykaniu drzwiczek.
- W chłodziarce nie należy przechowywać żadnych materiałów, które wymagają utrzymania w pewnej temperaturze, takich jak szczepionki, leki, leki wrażliwe na temperaturę, materiały do badań naukowych itp.
- Jeśli chłodziarka ma być nieużywana przez dłuższy czas, należy wyjąć jej wtyczkę z gniazdka. Uszkodzenie izolacji elektrycznej przewodu

zasilającego może spowodować pożar.

- Czubek wtyczki elektrycznej należy regularnie czyścić, w przeciwnym razie może spowodować pożar.
- Czubki wtyczki należy regularnie czyścić suchą ściereczką, w przeciwnym razie mogą spowodować pożar.
- Jeśli nastawialne nóżki nie stoją pewnie na podłodze, chłodziarka może się przesuwać. Prawidłowa regulacja nóżek chłodziarki zapewnia jej stabilność na podłodze.
- Jeśli chłodziarka ma klamkę w drzwiach nie należy ciągnąć za nią, gdy przesuwa się chłodziarkę, ponieważ można w ten sposób odłączyć ją od chłodziarki.
- Jeśli musisz ustawić chłodziarkę obok innej chłodziarki lub zamrażarki, odległość między tymi urządzeniami musi wynosić co najmniej 8 mm. W przeciwnym razie na ich ustawionych naprzeciw siebie bocznych ścianach może skraplać się wilgoć.
- Ciśnienie wody w instalacji wodociągowej musi wynosić co najmniej 1 bar. Ciśnienie wody w instalacji wodociągowej nie może przekraczać 8 bar.
- Używaj wyłącznie wody pitnej.

Bezpieczeństwo dzieci

- Jeśli drzwiczki zamykane są na klucz, należy go chronić przed dostępem dzieci.
- Należy zapewnić opiekę dzieciom, aby nie bawiły się lodówką.

Ostrzeżenie HCA

Jeśli chłodziarka ta wyposażona jest w system chłodniczy zawierający R600a:

Gaz ten jest łatwopalny. Należy zatem uważać, aby w trakcie jego użytkowania i transportu nie uszkodzić systemu i przewodów chłodzenia. W razie uszkodzenia, należy trzymać chłodziarkę z dala od potencjalnych źródeł ognia, które mogą spowodować jej pożar i należy wietrzyć pomieszczenie, w którym jest umieszczona.

Prosimy zignorować to ostrzeżenie, jeśli chłodziarka ta wyposażona jest w system chłodniczy zawierający R134a.

Oznaczenie gazu zastosowanego w danej chłodziarce można odczytać z tabliczki znamionowej umieszczonej z lewej strony w jej wnętrzu.

Nie należy złomować chłodziarki przez jej spalanie.

Co robić, aby oszczędzać energię.

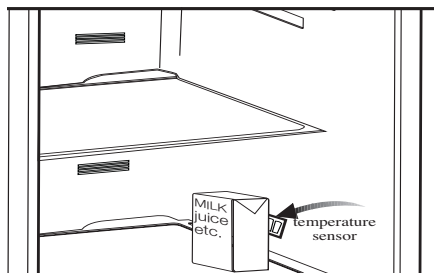
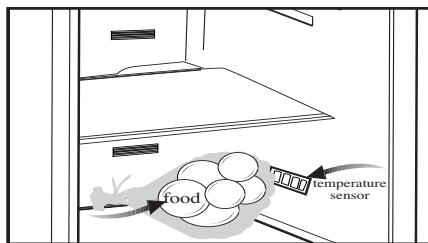
- Nie zostawiajcie drzwiczek lodówki otwartych na dłużej.
- Nie wkładajcie do lodówki gorących potraw ani napojów.
- Nie przeladowujcie lodówki tak, aby przeszkadzało to w krążeniu powietrza w jej wnętrzu.
- Nie instalujcie lodówki tam, gdzie narażona będzie na bezpośrednie działanie słońca ani w pobliżu urządzeń wydzielających ciepło takich jak piecyki, zmywarki do naczyń lub grzejniki.
- Pamiętajcie, aby żywność przechowywać w zamkniętych pojemnikach.

- Po wyjęciu półki lub szuflady z komory zamrażalnika można do niego włożyć maksymalną ilość żywności. Deklarowane zużycie energii przez chłodziarkę określono przy półce lub szufladzie wyjętej z komory zamrażania i przy maksymalnym wypełnieniu żywnością. Używanie półki lub szuflady odpowiednio do kształtów i rozmiarów zamrażanej żywności jest bezpieczne.

Zalecenia dot. komory na żywność świeżą.

*OPCJA

- Prosimy, aby zapobiegać stykaniu się żywności z czujnikiem temperatury w komorze na żywność świeżą. Aby utrzymać idealną temperaturę przechowywania żywności świeżej w tej komorze czujnik ten nie może być blokowany żywnością.
- Nie wkłada się do chłodziarki żywności gorącej.



3 Instalacja

⚠ Prosimy pamiętać, że producent nie ponosi odpowiedzialności, jeśli ignoruje się informacje podane w niniejszej instrukcji.

Przygotowanie

- Lodówkę tę należy zainstalować przynajmniej 30 cm od źródeł ciepła takich jak kuchenka, kaloryfer lub piec, i przynajmniej 5 cm od piecyka elektrycznego, a także należy chronić ją przez bezpośrednim działaniem słońca.
- Temperatura otoczenia w pomieszczeniu, gdzie instaluje się lodówkę, powinna wynosić co najmniej 10 °C. Ze względu na wydajność lodówki nie zaleca się użytkowania jej w niższych temperaturach.
- Prosimy upewnić się, że wnętrze lodówki zostało dokładnie oczyszczone.
- Jeśli zainstalowane mają być dwie lodówki obok siebie, należy zachować co najmniej 2 cm odstęp między nimi.
- Przy pierwszym uruchomieniu lodówki prosimy przez pierwsze sześć godzin przestrzegać następujących instrukcji.
 - Nie należy zbyt często otwierać drzwiczek.

Wymiana lampki oświetlenia

Aby wymienić lampkę używaną do oświetlenia chłodziarki, prosimy wzywać autoryzowany serwis.

- Należy uruchomić ją pustą, bez żadnej żywności we wnętrzu.

- Nie należy wyłączać wtyczki lodówki z gniazdka. W przypadku awarii zasilania, której nie można samemu naprawić, prosimy zastosować się do ostrzeżenia z rozdziału „Zalecane rozwiązania problemów”.

- Oryginalne opakowanie i elementy z pianki należy zachować do przyszłego transportu lub przewodządek.

W razie potrzeby ponownego transportu lodówki należy przestrzegać następujących wskazówek:

1. Przed transportem należy lodówkę opróżnić i oczyścić.
2. Półki, akcesoria, pojemnik na warzywa itp. w lodówce należy przymocować taśmą klejącą zabezpieczając je przed wstrząsami przed ponownym zapakowaniem.
3. Opakowanie należy obwiązać grubą taśmą i silnymi sznurkami i przestrzegać reguł transportu wydrukowanych na opakowaniu.

Prosimy pamiętać...

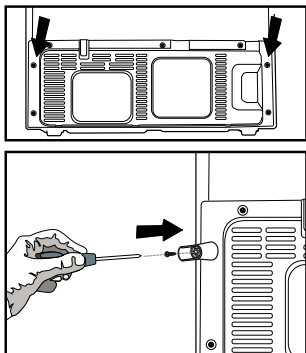
Wszystkie surowce wtórne stanowią niezbywalne źródło oszczędności krajowych zasobów naturalnych.

Jeśli chcecie przyczynić się do wtórnego wykorzystania materiałów opakunkowych, możecie uzyskać dodatkowe informacje od instytucji ochrony środowiska lub władz lokalnych.

Przed uruchomieniem lodówki

Zanim zaczniecie użytkować tę lodówkę, sprawdźcie, co następuje:

1. Czy wewnątrz lodówki jest suche i czy z tyłu za nią może swobodnie krążyć powietrze?
2. Wsadź 2 plastikowe kliny w tylną płytę wentylacyjną, jak pokazano na poniższym rysunku. Odkręć obecne śrubki i użyj śrubek dostarczonych w tej samej torebce, co kliny. Kliny plastikowe zapewniają



odstęp pomiędzy lodówką a ścianą wymagany do umożliwienia krążenia powietrza.

3. Oczyszć wewnątrz chłodziarki, jak zaleca się to w rozdziale „Konserwacja i czyszczenie”.
4. Włączcie wtyczkę lodówki w gniazdko w ścianie. Po otwarciu drzwiczek zapali się światło we wnętrzu odnośnej komory.
5. Po uruchomieniu sprężarki usłyszycie jej szum. Płyny i gazy zawarte w systemie chłodzenia także mogą powodować szумы, nawet jeśli nie działa sprężarka, i jest to zupełnie normalne.
6. Przednie krawędzie lodówki mogą się nieco nagrzewać. Jest to całkiem normalne. Te obszary mogą się nagrzewać, co zapobiega skraplaniu się pary.

Połączenia elektryczne

Chłodziarkę przyłącza się do gniazdka z uziemieniem, zabezpieczonego bezpiecznikiem o odpowiedniej wartości.

Ważna uwaga:

- Przyłączenie lodówki musi być zgodne z przepisami krajowymi.
- Po instalacji wtyczka zasilania musi być łatwo dostępna.
- Napięcie i dopuszczalny prąd bezpiecznika podano w rozdziale „Dane techniczne”.
- Podane tam napięcie musi być równe napięciu w Waszej sieci zasilającej.
- Do przyłączenia nie można używać przedłużaczy, ani przewodów z wieloma wtyczkami.

⚠ Uszkodzony przewód zasilający musi wymienić upoważniony i wykwalifikowany elektryk.

⚠ Nie można ponownie uruchomić chłodziarki przed jej naprawieniem! Grozi to porażeniem elektrycznym!

Pozbywanie się opakowania

Materiały opakunkowe mogą być niebezpieczne dla dzieci. Należy chronić materiały opakunkowe przed dostępem dzieci, albo pozbyć się ich zgodnie z instrukcją odpowiednią dla odpadków ich kategorii. Nie można pozbywać się ich w taki sam sposób, jak innych odpadków domowych.

Opakowanie tej lodówki wyprodukowano z surowców wtórnych.

Złomowanie starej lodówki

Starej lodówki należy pozbyć się tak, aby nie zaszkodzić środowisku naturalnemu.

- W sprawie złomowania lodówki możecie skonsultować się z autoryzowanym sprzedawcą lub punktem zbiórki surowców wtórnych w swojej miejscowości.

Przed złomowaniem lodówki należy odciąć wtyczkę zasilania elektrycznego, a jeśli w drzwiczkach są jakieś zamki, należy je trwale uszkodzić, aby zapobiec zagrożeniu dzieci.

Ustawienie i instalacja

Uwaga: W trakcie instalowania chłodziarki nie wolno włączać jej wtyczki w gniazdko w ścianie. Może to zagrażać śmiercią lub poważnym urazem.

Jeśli drzwi wejściowe do pomieszczenia, w którym ma być zainstalowana chłodziarka, są zbyt wąskie, aby chłodziarka mogła przez nie przejść, należy wezwać autoryzowany serwis, który zdejmie z niej drzwiczki i przeniesie ją bokiem przez drzwi.

1. Chłodziarkę należy zainstalować w miejscu, w którym łatwo będzie ją używać.

2. Chłodziarka musi stać z dala od źródeł ciepła, miejsc wilgotnych i bezpośrednio nasłonecznionych.

3. Aby uzyskać wydajną pracę chłodziarki, należy zapewnić odpowiednią wentylację wokół niej. Jeśli chłodziarka ma stanąć we wnęcie w ścianie, należy zachować co najmniej 5 cm odstęp od sufitu i ściany. **Jeśli podłoga pokryta jest wykładziną dywanową, chłodziarka musi stać 2,5 cm ponad powierzchnią podłogi.**

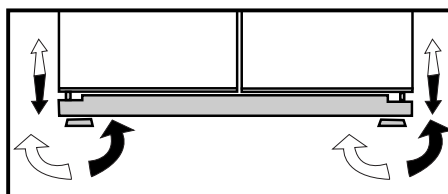
4. Aby uniknąć wstrząsów, chłodziarkę należy ustawić na równej powierzchni podłogi.

5. Temperatura w otoczeniu chłodziarki nie powinna spadać poniżej 10°C.

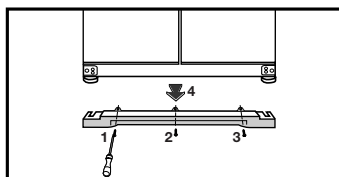
Wyrównanie nierówności podłogi

Jeśli lodówka nie stoi równo;

1. Pokrywę wentylacyjną zdejmujemy się po uprzednim odkręceniu mocujących ją śrubek, jak pokazano na rysunku. Można wyrównać jej ustawienie obracając przednie nóżki, tak jak pokazano na rysunku. Narożnik lodówki obniża się obracając nóżkę w tym narożniku w kierunku czarnej strzałki, lub podnosi obracając nóżkę w przeciwnym kierunku. Proces ten ułatwi lekkie uniesienie lodówki z pomocą innej osoby.

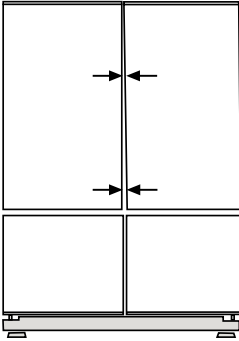


2. Gdy po wyrównaniu problem ustąpił, załóż z powrotem pokrywę wentylacyjną i przykręć śruby.



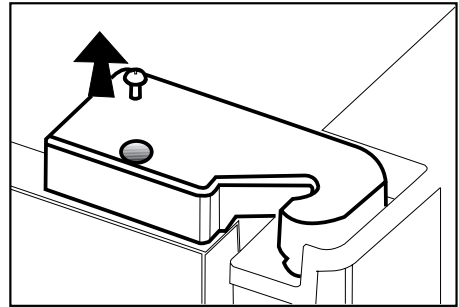
3. Śruby mocujące dolną pokrywę odkręca się krzyżowym śrubokrętem.

Ustawianie szczeliny między górnymi drzwiczkami

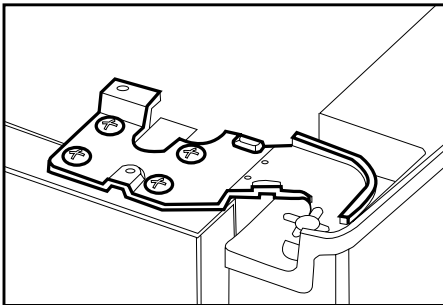


• Szczelinę pomiędzy drzwiczkami komory chłodzenia można ustawić tak, jak pokazano na rysunkach.

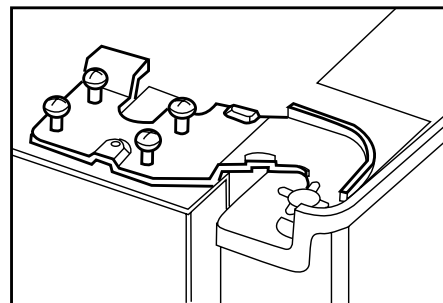
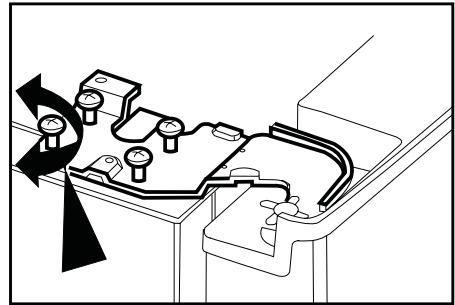
Przed ustawieniem wysokości drzwiczek należy opróżnić półki w nich.



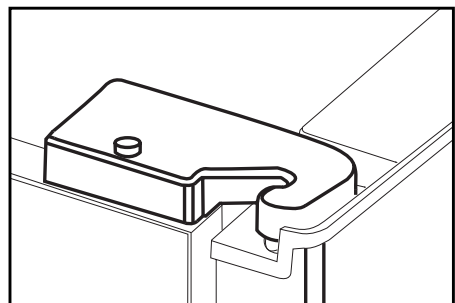
• Przy pomocy śrubokrętu odkręć i wyjmij śrubkę z pokrywy górnego zawiasu drzwiczek, które chcesz ustawić.



• Odpowiednio ustaw drzwiczki odkręcając śruby.



• Po ustawieniu umocuj drzwiczki zakręcając śruby przy niezmiennym ustawieniu drzwiczek.

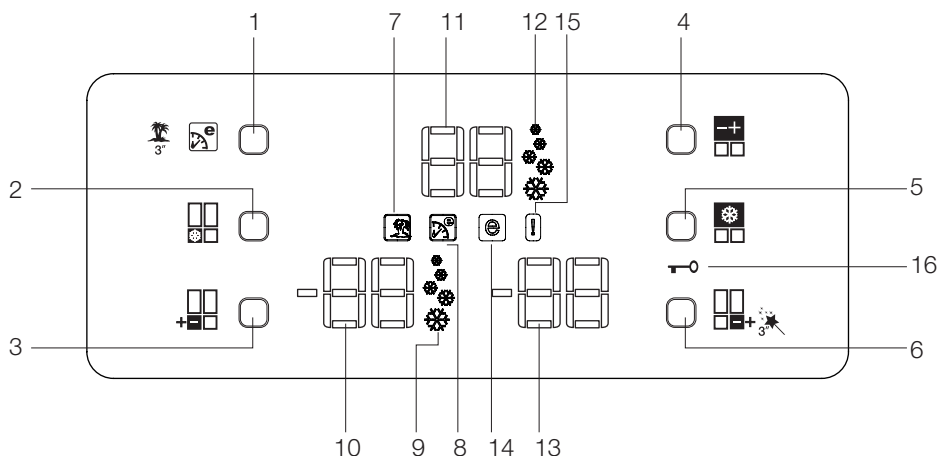


• Załóż z powrotem pokrywę zawiasu i umocuj ją śrubą.

4 Użytkowanie lodówki

Panel wskaźników

Ten dotykowy panel wskaźników umożliwia nastawianie temperatury bez otwierania drzwiczek chłodziarki. Aby nastawić temperaturę, wystarczy dotknąć palcem właściwy przycisk.



1. Przycisk Eco Extra/Vacation
2. Wskaźnik szybkiego zamrażania
3. Przycisk nastawienia temperatury w komorze zamrażania
4. Przycisk nastawienia temperatury w komorze chłodzenia
5. Przycisk szybkiego chłodzenia
6. Przycisk nastawienia temperatury w komorze Multi Zone
7. Wskaźnik funkcji Vacation
8. Wskaźnik funkcji Eco Extra
9. Wskaźnik funkcji szybkiego zamrażania
10. Wskaźnik temperatury w komorze zamrażania
11. Wskaźnik temperatury w komorze chłodzenia
12. Wskaźnik funkcji szybkiego chłodzenia
13. Wskaźnik temperatury w komorze Multi Zone
14. Wskaźnik trybu oszczędnego
15. Wskaźnik błędu
16. Wskaźnik blokady

1. Przycisk Eco Extra/Vacation

Aby uruchomić funkcję Eco Extra na chwilę naciśnij ten przycisk. Aby uruchomić funkcję Vacation naciśnij ten przycisk i przytrzymaj go przez 3 sek. Aby wyłączyć wybraną funkcję, ponownie naciśnij ten przycisk.

2. Przycisk szybkiego zamrażania

Aby uruchomić funkcję szybkiego zamrażania na chwilę naciśnij ten przycisk. Aby wyłączyć wybraną funkcję, ponownie naciśnij ten przycisk.

3. Przycisk nastawienia temperatury w komorze zamrażania

Naciśnij ten przycisk, aby nastawić temperaturę w komorze zamrażalnika odpowiednio na -18, -20, -22, -24 stopni. Naciśnij ten przycisk, aby nastawić żadaną temperaturę w komorze zamrażania.

4. Przycisk nastawienia temperatury w komorze chłodzenia

Naciśnij ten przycisk, aby nastawić temperaturę w komorze chłodzenia odpowiednio na 8, 6, 4, 2... stopni. Naciśnij ten przycisk, aby nastawić żadaną temperaturę w komorze chłodzenia.

5. Przycisk szybkiego chłodzenia

Aby uruchomić funkcję szybkiego chłodzenia na chwilę naciśnij ten przycisk. Aby wyłączyć wybraną funkcję, ponownie naciśnij ten przycisk.

6. Przycisk nastawiania temperatury w komorze Multi Zone

Komorę Multi zone można nastawić na schładzanie lub na zamrażanie.

Aby nastawić komorę Multi Zone na schładzanie lub zamrażanie, naciśnij ten przycisk i przytrzymaj go przez 3 sek. Komora ta nastawiona jest fabrycznie na zamrażanie.

Jeśli komora Multi Zone nastawiona jest na zamrażanie, temperatura w niej za każdym naciśnięciem tego przycisku zmieniać się będzie odpowiednio od -18, przez -20, -22, -24, aż do -18... stopni. Jeśli komora Multi Zone nastawiona jest na schładzanie, temperatura w niej za każdym naciśnięciem tego przycisku zmieniać się będzie odpowiednio od 10, przez 8, 6, 4, 2, 0, aż do -6,... stopni .

7. Wskaźnik funkcji Vacation

Wskaźnik ten pokazuje, że uruchomiono funkcję Vacation. Gdy funkcja ta jest aktywna, wskaźnik komory zamrażania pokazuje “- -” i nie jest ona chłodzona. Inne komory będą chłodzone stosownie do nastawionych w nich temperatur.

Aby wyłączyć tę funkcję, ponownie naciśnij odpowiadający jej przycisk.

8. Wskaźnik funkcji Eco Extra

Wskaźnik ten pokazuje, że uruchomiono funkcję Eco Extra. Jeśli funkcja ta jest aktywna, chłodziarka automatycznie rozpozna okresy mniej intensywnego użytkowania i przełączy się na chłodzenie energooszczędne w tym czasie. W trakcie chłodzenia energooszczędnego czynny będzie wskaźnik trybu oszczędnego.

Aby wyłączyć tę funkcję, ponownie naciśnij odpowiadający jej przycisk.

9. Wskaźnik funkcji szybkiego zamrażania

Wskaźnik ten pokazuje, że uruchomiono funkcję szybkiego zamrażania. Funkcję tę stosuje się, gdy do komory zamrażania włożono świeżą żywność lub gdy potrzebny jest lód. Gdy funkcja ta jest aktywna, chłodziarka będzie pracować przez 6 godzin bez przerwy.

Aby wyłączyć tę funkcję, ponownie naciśnij odpowiadający jej przycisk.

10. Wskaźnik temperatury w komorze zamrażania

Wskazuje temperaturę nastawioną w komorze zamrażania.

11. Wskaźnik temperatury w komorze chłodzenia

Wskazuje temperaturę nastawioną w komorze chłodzenia.

12. Funkcja szybkiego schładzania

Wskaźnik ten pokazuje, że uruchomiono funkcję szybkiego schładzania. Funkcję tę stosuje się, gdy do komory chłodzenia włożono świeżą żywność lub gdy potrzeba szybko schłodzić żywność. Gdy funkcja ta jest aktywna, chłodziarka będzie pracować przez 2 godzin bez przerwy.

Aby wyłączyć tę funkcję, ponownie naciśnij odpowiadający jej przycisk.

13. Wskaźnik temperatury w komorze Multi Zone

Pokazuje temperaturę nastawioną w komorze Multi Zone.

14. Wskaźnik trybu oszczędnego

Pokazuje, że chłodziarka pracuje w trybie energooszczędnym. Temperatura w komorze zamrażania

Wskaźnik ten będzie aktywny, jeśli funkcję tę nastawiono na -18 stopni lub zgodnie z funkcją Eco-Extra chłodzenie przebiega w trybie energooszczędnym.

15. Wskaźnik błędu

Wskaźnik ten uruchamia się, jeśli chłodziarka nie chłodzi dostatecznie lub jeśli zepsuje się jakiś wskaźnik. Gdy wskaźnik ten jest aktywny, wskaźnik temperatury w komorze zamrażania wyświetli "E", wskaźnik zaś temperatury w komorze chłodzenia wyświetli liczby takie jak "1, 2, 3..." Liczby te oznaczają kod błędu rozpoznawany przez personel serwisowy.

16. Wskaźnik blokady klawiszy

Funkcji tej używa się, gdy chce się zabezpieczyć ustawienia temperatury chłodziarki przed zmianą. Aby uruchomić tę funkcję naciśnij równocześnie przyciski szybkiego chłodzenia i nastawiania temperatury w komorze Multi Zone i przytrzymaj przez 3 sek.

Aby wyłączyć tę funkcję, ponownie naciśnij odpowiadające jej przyciski.

Alarm z powodu otwartych drzwiczek:

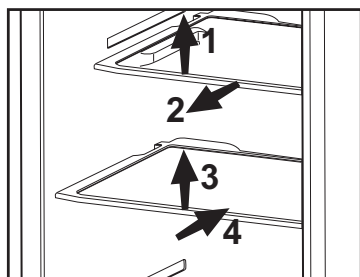
Jeśli drzwiczki komory chłodzenia lub drzwiczki komory **Multi Zone** pozostają otwarte przez co najmniej 1 min., uruchomi się alarm otwartych drzwiczek. Aby uciszyć ten alarm, wystarczy nacisnąć jakikolwiek przycisk wskaźnika lub zamknąć otwarte drzwiczki.

Półki wysuwane

- Półki wysuwane można wyciągać lekko podnosząc ich przód i przesuwając do przodu i do tyłu. Wysuwane do przodu zatrzymują się w punkcie, w którym można sięgnąć po żywność umieszczoną z tyłu półki, po lekkim podniesieniu ich przodu można je dalej wysuwać aż do następnego punktu zatrzymania, w którym można wyjąć półkę z komory.

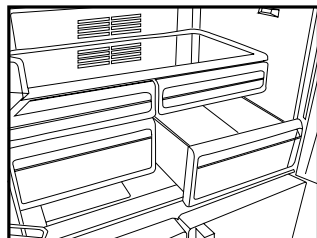
Półkę należy mocno podtrzymywać od spodu, żeby się nie przechyliła. Półki wysuwane umieszczone są na szynach na bocznych ścianach komory chłodziarki, co umożliwia przenoszenie ich w górę lub w dół.

Aby umieścić półkę wysuwana w jej stałej pozycji należy wsunąć ją do samego końca.



Pojemnik na świeże warzywa

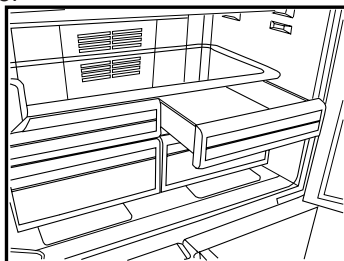
Pojemnik na świeże warzywa w tej chłodziarce służy specjalnie do zachowania świeżości warzyw bez utraty ich wilgoci. W tym celu zapewnia się ogólne krążenie zimnego powietrza wokół pojemnika na świeże warzywa.



Komorza schładzania

W komorze schładzania przygotowuje się żywność do zamrożenia. Można w niej chłodziarki.

Pojemność wewnątrz chłodziarki można zwiększyć wyjmując z niej pojemniki na przekąski. W tym celu pociągnij pojemnik ku sobie, pojemnik oprze się o blokadę i zatrzyma. Można go wyjąć podnosząc o ok. 1 cm i pociągając ku sobie.



Półka na jajka

- Na wybranych drzwiczkach lub półce można założyć uchwyt na jajka.
- Nie wolno przechowywać uchwytu na jajka w komorze zamrażalnika.

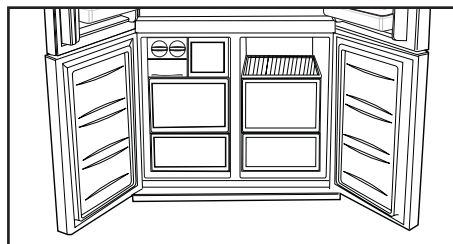
Obrotowa sekcja środkowa

Obrotowa sekcja środkowa służy do powstrzymania ulatniania się zimnego powietrza z wnętrza chłodziarki na zewnątrz. Obrotowa sekcja środkowa wspomaga uszczelnienie, ponieważ uszczelka w drzwiach naciska na powierzchnię obrotowej sekcji środkowej gdy drzwiczki komory chłodzenia są zamknięte. Inny powód wyposażenia chłodziarki w środkową sekcję obrotową polega na powiększeniu objętości netto komory chłodzenia. Standardowe sekcje środkowe zajmują nieco miejsca niewykorzystywanego do chłodzenia.

Obrotowa sekcja środkowa musi być zamknięta, gdy otwarte są lewe drzwi komory chłodzenia. Trzeba ją otwierać ręcznie, a obraca się przy pomocy zamontowanego na szafce elementu plastikowego.

Komora Multi Zone

Komorę Multi Zone tej chłodziarki można używać w dowolnym wybranym trybie, nastawiając ją na temperatury chłodzenia (2/4/6/8 °C) lub zamrażania (-18/-20/-22/-24). Temperaturę w tej komorze nastawia się "przyciskiem nastawiania temperatury w komorze Multi Zone". Temperaturę w tej komorze można nastawiać na 0 i 10



stopni na dodatek do temperatury komory chłodzenia oraz na -6 stopni na dodatek do temperatury w komorze zamrażania. 0 stopni stosuje się do dłuższego przechowywania produktów delikatnych, - 6 stopni zaś do przechowywania mięs aż do 2 tygodni w stanie umożliwiającym ich łatwe krojenie.

i Funkcję przełączania na komorę chłodzenia lub zamrażania zapewnia element chłodzący umieszczony w sekcji zamkniętej (komora sprężarki) z tyłu chłodziarki. W trakcie pracy tego elementu mogą być słyszalne odgłosy podobne do tych, jakie wydaje zegar analogowy odliczając sekundy. Jest to zupełnie normalne i nie świadczy o zakłóceniu w pracy chłodziarki.

Niebieskie światło

Żywność przechowywana w pojemniku na świeże warzywa i oświetlona niebieskim światłem kontynuuje fotosyntezę pod jego wpływem i tym samym zachowuje świeżość i podnosi zawartość witamin.



5 Konserwacja i czyszczenie

- ⚠ Do czyszczenia lodówki nie wolno używać benzyny, benzenu, ani podobnych substancji.
- ⚠ Zalecamy wyłączenie wtyczki lodówki z gniazdka przed jej czyszczeniem.
- Do czyszczenia nie wolno stosować żadnych szorstkich narzędzi ani mydła, domowych środków czystości, detergentów, ani wosku do polerowania.
- Umyj obudowę lodówki letnią wodą i wytrzyj ją do sucha.
- Wnętrze należy czyścić ściereczką zamoczoną i wyżętą w roztworze jednej łyżeczki do herbaty sody oczyszczonej w 0,5 litra wody, a następnie wytrzeć do sucha.
- Zadbajcie, aby do obudowy lampki i innych urządzeń elektrycznych nie dostała się woda.
- Jeśli chłodziarka ma być nieużywana przez dłuższy okres czasu, należy ją wyłączyć i całkowicie opróżnić z żywności, oczyścić i pozostawić z uchylonymi drzwiczkami.
- Regularnie sprawdzaj, czy uszczelki w drzwiczkach są czyste i nie osadzają się na nich cząstki żywności.
- Aby wyjąć półki z drzwiczek, opróżnijcie je z zawartości, a potem po prostu naciśnijcie od podstawy ku górze.

Zabezpieczenia powierzchni plastikowych

- Nie wkładajcie do lodówki oleju ani potraw smażonych na oleju w nieszczelnych pojemnikach, ponieważ może to uszkodzić jej plastikowe powierzchnie. W razie rozlania się lub rozsmarowania oleju na plastikowej powierzchni, od razu oczyśćcie i oplukajcie ciepłą wodą jej zabrudzoną część.

6 Zalecane rozwiązania problemów

Prosimy zapoznać się z tym wykazem przed wezwaniem serwisu. Może to oszczędzić Wasz czas i pieniądze. Wykaz ten zawiera częste kłopoty, które nie wynikają z wadliwego wykonania ani zastosowania wadliwych materiałów. Niektóre z opisanych tu funkcji mogą nie występować w tym modelu urządzenia.

Lodówka nie działa.
<ul style="list-style-type: none">• Czy jest prawidłowo przyłączona do zasilania? Włóżcie wtyczkę do gniazdka.• Czy nie zadziałał bezpiecznik gniazdka, do którego jest przyłączona albo bezpiecznik główny? Sprawdźcie bezpiecznik.
Skropliny na bocznej ścianie komory chłodzenia. (MULTI ZONE, COOL CONTROL i FLEXI ZONE)
<ul style="list-style-type: none">• Bardzo niska temperatura otoczenia. Częste otwieranie i zamykanie drzwiczek. Znaczna wilgoć w otoczeniu. Przechowywanie żywności zawierającej płyny w otwartych pojemnikach. Pozostawienie uchylonych drzwiczek.• Przełączcie termostat na niższą temperaturę.• Otwierajcie drzwiczki na krócej albo rzadziej.• Nakrywajcie żywność przechowywaną w otwartych pojemnikach odpowiednim materiałem.• Wytrzyjcie skropliny suchą ściereczką i sprawdzajcie, czy nadal się utrzymują.
Sprężarka nie działa
<ul style="list-style-type: none">• Zabezpieczenie termiczne sprężarki zadziała w trakcie nagłego zaniku zasilania lub załącza się i wyłącza, ponieważ nie wyrównało się jeszcze ciśnienie w systemie chłodzącym chłodziarki.• Chłodziarka zacznie działać po ok. 6 minutach. Jeśli po upływie tego czasu chłodziarka nie zacznie działać, prosimy wezwać serwis.• Chłodziarka jest w cyklu rozmrażania. Ton normalne dla chłodziarki z całkowicie automatycznym rozmrażaniem. Cykl rozmrażania następuje okresowo.• Chłodziarka nie jest włączona do gniazdka. Sprawdźcie, czy wtyczka jest dobrze włożona do gniazdka w ścianie.• Czy temperatura jest właściwie nastawiona? Nastąpiła jest awaria zasilania. Zadzwońcie do Zakładu Energetycznego.
Chłodziarka pracuje często lub przez zbyt długi czas.

<ul style="list-style-type: none"> • Nowa chłodziarka jest szersza od poprzedniej. Jest to całkiem normalne. Duże chłodziarki działają przez dłuższy czas. • Temperatura w pomieszczeniu może być wysoka. Jest to zupełnie normalne. • Chłodziarka została niedawno załączona lub jest przeładowana żywnością. Całkowite ochłodzenie chłodziarki może potrwać o parę godzin dłużej. • Ostatnio włożono do chłodziarki znaczne ilości gorącej żywności. Gorące potrawy powodują dłuższą pracę chłodziarki zanim osiągnie temperaturę przechowywania. • Zbyt często otwierano drzwiczki lub na dłużej pozostawiano je uchylone. Ciepłe powietrze, które weszło do chłodziarki, powoduje, że działa ona dłużej. Rzadziej otwierajcie drzwiczki. • Pozostawiono uchylone drzwiczki komory chłodzenia lub zamrażania. Sprawdźcie, czy drzwiczki są szczelnie zamknięte. • Lodówka jest nastawiona na bardzo niską temperaturę. Nastawcie lodówkę na wyższą temperaturę i odczekajcie, aż zostanie ona osiągnięta. • Uszczelka w drzwiczkach lodówki lub zamrażalnika jest zabrudzona, uszkodzona, pęknięta lub nieprawidłowo włożona. Oczyszćcie lub wymieńcie uszczelkę. Uszkodzona/pęknięta uszczelka powoduje, że lodówka pracuje przez dłuższy czas, aby utrzymać bieżącą temperaturę.
Temperatura zamrażalnika jest bardzo niska, a temperatura chłodzenia jest wystarczająca.
<ul style="list-style-type: none"> • Lodówka jest nastawiona na bardzo niską temperaturę zamrażania. Nastawcie lodówkę na wyższą temperaturę zamrażania i sprawdźcie.
Temperatura chłodzenia jest bardzo niska, a temperatura zamrażania jest wystarczająca.
<ul style="list-style-type: none"> • Lodówka jest nastawiona na bardzo niską temperaturę chłodzenia. Nastawcie lodówkę na wyższą temperaturę chłodzenia i sprawdźcie.
Żywność przechowywana w szufladach komory zamarza.
<ul style="list-style-type: none"> • Lodówka jest nastawiona na bardzo niską temperaturę chłodzenia. Nastawcie lodówkę na wyższą temperaturę chłodzenia i sprawdźcie.
Bardzo wysoka temperatura w chłodziarce lub zamrażalniku.
<ul style="list-style-type: none"> • Lodówka jest nastawiona na bardzo wysoką temperaturę chłodzenia. Nastawienia lodówki wpływają na temperaturę w zamrażalniku. Zmieńcie temperaturę w chłodziarce lub zamrażalniku aż osiągnie odpowiedni poziom. • Niedomknięte drzwiczki. Szczelnie zamknijcie drzwiczki. • Ostatnio włożono do chłodziarki znaczne ilości gorącej żywności. Odczekajcie, aż temperatura w chłodziarce lub zamrażalniku osiągnie właściwy poziom. • Chłodziarkę załączono niedawno. Całkowite ochłodzenie chłodziarki trwa dłużej z powodu jej znacznych rozmiarów.
Z chłodziarki dochodzą odgłosy podobne do dźwięku wskazówki sekundowej zegara analogowego.
<ul style="list-style-type: none"> • Odgłos ten wydaje zawór elektromagnetyczny chłodziarki. Zawory elektromagnetyczne służą do zapewnienia przepływu chłodziwa przez komorę, w której nastawiono temperaturę chłodzenia lub zamrażania oraz do wykonywania funkcji chłodzenia. Jest to zupełnie normalne i nie świadczy o zakłóceniu w pracy chłodziarki.

Gdy chłodziarka pracuje, poziom hałasu wrasta.
<ul style="list-style-type: none"> Z powodu zmian temperatury otoczenia zmieniły się charakterystyki eksploatacyjne chłodziarki. Jest to stan normalny, nie zaś awaria.
Drgania lub hałas
<ul style="list-style-type: none"> Nierówna lub słaba podłoga. Chłodziarka podskakuje, gdy porusza się ją powoli. Sprawdźcie, czy podłoga jest równa, mocna i wytrzymuje ciężar chłodziarki. Hałas powodują rzeczy położone na chłodziarce. Rzeczy takie należy zdjąć z chłodziarki.
Odgłosy przelewania się i syczenia płynu.
<ul style="list-style-type: none"> Zgodnie z zasadą funkcjonowania chłodziarki następują przepływy płynu lub gazu. Jest to stan normalny, nie zaś awaria.
Odgłos jakby szumu wiatru.
<ul style="list-style-type: none"> Do skutecznego ochłodzenia lodówki użyto wentylatorów. Jest to stan normalny, nie zaś awaria.
Skropliny na wewnętrznych ściankach chłodziarki.
<ul style="list-style-type: none"> Ciepła i wilgotna pogoda sprzyja oblodzeniu i skraplaniu. Jest to stan normalny, nie zaś awaria. Uchylone drzwiczki. Sprawdźcie, czy drzwiczki są szczelnie zamknięte. Drzwiczki otwierane zbyt często lub na zbyt długo pozostawiane uchylone. Rzadziej otwierajcie drzwiczki.
Na zewnątrz chłodziarki, lub pomiędzy drzwiczkami pojawia się wilgoć.
<ul style="list-style-type: none"> Wilgotna pogoda. To zupełnie normalne przy wilgotnej pogodzie. Gdy wilgoć w powietrzu ustąpi, skropliny znikną.
Nieprzyjemna woń wewnątrz chłodziarki.
<ul style="list-style-type: none"> Trzeba oczyścić wnętrze chłodziarki. Oczyszćcie wnętrze chłodziarki gąbką namoczoną w ciepłej lub gazowanej wodzie. Woń powodują jakieś pojemniki lub materiały opakowaniowe. Użyjcie innych pojemników lub materiałów opakowaniowych innej marki.
Drzwiczki się nie zamykają.
<ul style="list-style-type: none"> W zamknięciu drzwiczek przeszkadzają paczki z żywnością. Przełóżcie paczki przeszkadzające zamknięciu drzwiczek. Lodówka nie stoi na podłodze całkiem pionowo i może się kołysać, gdy lekko ją przesunąć. Wyregulujcie wysokość nóżek. Podłoga nie jest równa lub dość wytrzymała. Sprawdźcie, czy podłoga jest równa i wytrzymuje ciężar chłodziarki.
Szuflady do przechowywania świeżych warzyw się zatarty.
<ul style="list-style-type: none"> Żywność dotyka sufitu szuflady. Zmieńcie ułożenie żywności w szufladzie.

Nejprve si přečtěte tento návod!

Vážený zákazníku,

Doufáme, že výrobek, který byl vyroben v moderních závodech a kontrolován v souladu s nejpřísnějšími postupy kontroly kvality, vám zajistí účinný provoz.




Z tohoto důvodu vám doporučujeme pozorně si přečíst celý návod k výrobku, než jej použijete, a uskladněte je v dosahu pro budoucí použití.

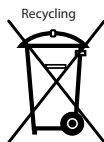
Tento návod

- Pomůže vám s použitím spotřebiče rychle a bezpečně.
 - Návod si přečtěte dříve, než produkt nainstalujete a zapnete.
 - Dodržujte pokyny, zejména ty, které se týkají bezpečnosti.
 - Návod uschovejte na snadno přístupném místě, možná jej budete později potřebovat.
 - Kromě toho si přečtěte i další dokumenty dodané s výrobkem.
- Nezapomeňte, že tento návod může platit i pro jiné modely.

Symbyly a jejich popis

Tento návod obsahuje následující symboly:

-  Důležité informace nebo užitečné tipy k použití.
-  Varování před nebezpečnými situacemi pro život a majetek.
-  Varování na elektrické napětí.



Tento výrobek nese symbol pro selektivní třídění platný pro elektrický a elektronický odpad (WEEE).

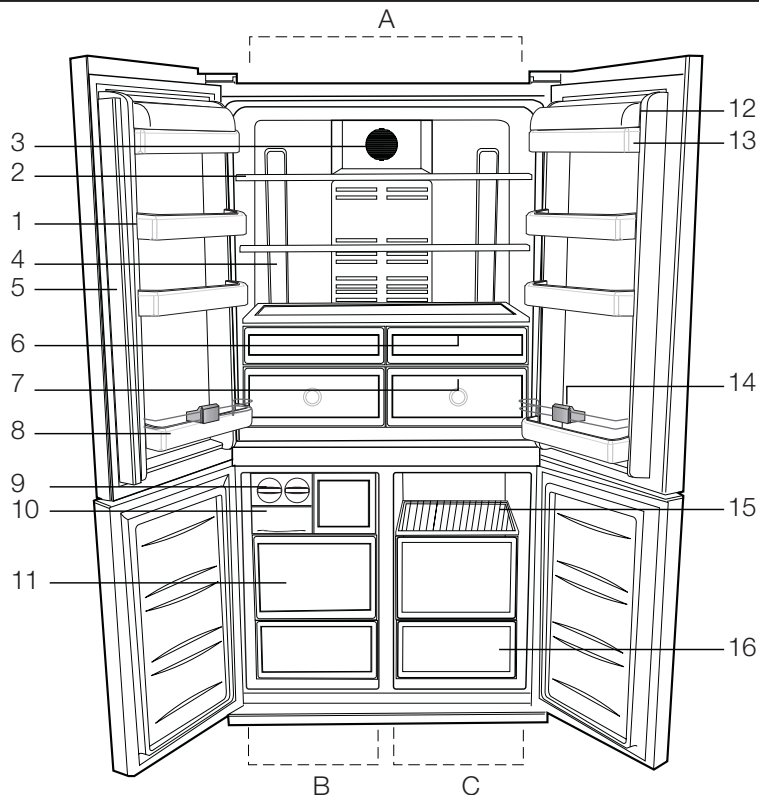
To znamená, že s tímto výrobkem je nutno manipulovat podle evropské směrnice 2002/96/ES, aby byl recyklován nebo demontován s minimálním dopadem na životní prostředí. Další informace vám podají místní nebo oblastní úřady.

Elektronické výrobky nezahrnuté do procesu selektivního třídění jsou potenciálně nebezpečné pro životní prostředí a zdraví osob kvůli přítomnosti nebezpečných látek.

OBSAH

1 Vaše chladnička	3	4 Používání chladničky	12
2 Důležitá bezpečnostní upozornění	4	Panel ukazatelů	12
Určené použití	4	Poplach při otevřených dveřích:	14
U výrobků s dávkovačem vody;	6	Tácek na vejce	15
Bezpečnost dětí	6	Posuvné police trupu	15
Upozornění HCA	6	Prostor pro čerstvé potraviny	15
Postup pro úsporu energie	7	Prostor chlazení	15
Doporučení pro prostor pro čerstvé potraviny	7	Otočná střední část	16
		Prostor víceúčelové zóny	16
		Modré světlo	16
3 Instalace	8	5 Údržba a čištění	17
Příprava	8	Ochrana plastových ploch	17
Body ke zvážení při přepravě chladničky	8	6 Doporučená řešení problémů	18
Výměna žárovky	8		
Než chladničku zapnete	9		
Zapojení do sítě	9		
Likvidace obalu	9		
Likvidace vaší staré chladničky	9		
Umístění a instalace	10		
Seřízení rovnováhy	10		
Úprava mezery mezi horními dveřmi	11		

1 Vaše chladnička



A- Prostor chladničky

B- Prostor mrazničky

C- Víceúčelová zóna

1- Police dveří mrazicího prostoru

2- Nastavitelné police prostoru chladničky

3- Kryt difuzéru

4- Osvětlovací čočka

5- Otočná střední část

6- Prostor chlazení

7- Prostor pro čerstvé potraviny

8- Police na lahve

9- Automat na led

10- Přihrádka na led

11- Prostory na zmražené potraviny

12- Kryt police na máslo a sýr

13- Police na máslo a sýr

14- Držák lahví

15- Police víceúčelové zóny

16- Prostor víceúčelové zóny

i Obrázky uvedené v tomto návodu k použití jsou schematické a nemusejí přesně korespondovat s vaším výrobkem. Pokud zobrazené části nejsou obsaženy v produktu, který jste zakoupili, jde o součásti jiných modelů.

2 Důležitá bezpečnostní upozornění

Prostudujte si následující informace. Nedodržení těchto informací může vést ke zraněním nebo škodám na majetku. Jinak neplatí záruka ani jiné závazky.

Doba životnosti zakoupeného zařízení je 10 let. Toto je doba pro uschování náhradních dílů nutných pro předepsaný provoz zařízení.

Určené použití

Tento výrobek je určen pro použití

- uvnitř a v uzavřených oblastech, jako jsou domy;
 - v uzavřených pracovních prostředích, jako jsou obchody a kanceláře;
 - v uzavřených obytných oblastech, jako jsou farmy, hotely, penziony.
- Nepoužívejte přístroj venku.

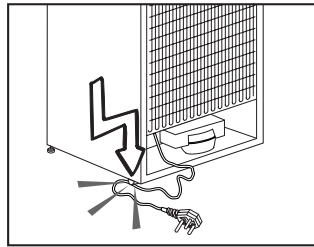
Obecná bezpečnost

- Když chcete výrobek zlikvidovat/sešrotovat, doporučujeme kontaktovat autorizovaný servis, kde zjistíte nezbytné informace a autorizované orgány.
- Veškeré otázky a problémy související s chladničkou vám pomůže vyřešit autorizovaný servis. Nezasahujte do chladničky a nikomu toto nedovolte bez upozornění autorizovaného servisu.
- U výrobků s prostorem mrazničky; Nejezte zmrzlinu a kostky ledu bezprostředně poté, co je vyjmete z prostoru mrazničky! (Může dojít k omrznutí úst.)
- U výrobků s prostorem mrazničky; Nevkládejte do prostoru mrazničky nápoje v lahvích a plechovkách. Jinak by mohlo dojít k jejich explozi.

- Nedotýkejte se mražených potravin rukou; mohou se vám přilepit k ruce.
- Odpojte chladničku, než ji vyčistíte nebo odmrazíte.
- Výpary a parní čisticí materiály nikdy nepoužívejte při čištění a odmrazování chladničky. V těchto případech by se totiž výpary mohly dostat do styku s elektrickými součástmi a způsobit zkrat či zásah elektrickým proudem.
- Nikdy nepoužívejte součásti na chladničce, jako je ochranná deska, jako dvířka nebo podprěru nebo schůdek.
- Nepoužívejte elektrická zařízení uvnitř chladničky.
- Nepoškozujte součásti, kde obíhá chladicí médium, vrtáním nebo řezáním. Chladicí médium by mohlo vytéct v místech porušení plynových kanálů výparníku, prodloužených trubek nebo povrchových vrstev a způsobit podráždění kůže a zranění očí.
- Nezakrývejte a neblokuje větrací otvory na chladničce žádným materiálem.
- Elektrické spotřebiče musejí opravovat jen autorizované osoby. Opravy provedené nekompetentními osobami mohou vést k ohrožení uživatele.
- V případě poruchy nebo při údržbě či opravách odpojte napájení chladničky buď vypnutím příslušné pojistky nebo odpojením spotřebiče.
- Netahejte za kabel – tahejte za zástrčku.
- Nápoje umísťujte zavřené a ve svislé poloze.

- Nikdy neskladujte nádoby s hořlavými spreji a výbušnými látkami v chladničce.
- Nepoužívejte mechanické nástroje nebo jiné prostředky k urychlení procesu odmrazení s výjimkou těch, které doporučuje výrobce.
- Tento výrobek by neměly používat osoby s tělesnými, smyslovými nebo duševními poruchami či nezkušené nebo nepoučené osoby (včetně dětí), pokud jsou bez dohledu osoby, která bude odpovídat za jejich bezpečnost nebo která jim poskytne náležitě školení k používání výrobku.
- Nepoužívejte poškozenou chladničku. V případě jakýchkoli pochybností kontaktujte servisního zástupce.
- Elektrická bezpečnost chladničky je zaručena pouze tehdy, pokud systém uzemnění ve vašem domě splňuje patřičné normy.
- Vystavení výrobku dešti, sněhu, slunci a větru je nebezpečné z hlediska elektrické bezpečnosti.
- Pokud dojde k poškození napájecího kabelu, kontaktujte autorizovaný servis.
- Během instalace nikdy nezapojujte chladničku k zásuvce. Jinak může dojít k ohrožení zdraví s následkem smrti.
- Tato chladnička je určena jen k uchování potravin. Neměla by být používána k žádnému jinému účelu.
- Štítek s technickými parametry se nachází na levé stěně uvnitř chladničky.
- Nikdy nepřipojte chladničku k systémům pro úsporu elektřiny; mohly by chladničku poškodit.
- Pokud na chladničce svítí modré světlo, nedívejte se do něj optickými nástroji.

- U manuálně ovládaných chladniček počkejte nejméně 5 minut, než chladničku po výpadku energie znovu spustíte.
- Tento návod k použití předejte novému majiteli v případě prodeje výrobku.
- Při přepravě chladničky nepoškozujte napájecí kabel. Ohnutím kabelu může dojít k požáru. Na napájecí kabel nikdy nestavte těžké předměty. Nedotýkejte se zástrčky mokřkýma rukama při zapojování výrobku.



- Nezapojujte chladničku, pokud je zásuvka uvolněna.
- Nestříkejte vodu přímo na vnitřní či vnější části výrobku z bezpečnostních důvodů.
- Do blízkosti chladničky nestříkejte látky s hořlavými plyny, jako je propan, aby nedošlo k požáru a výbuchu.
- Na horní stranu chladničky nikdy nestavte nádoby naplněné vodou, jinak by mohlo dojít k zásahu elektrickým proudem nebo k požáru.
- Do chladničky nevkládejte přílišná množství potravin. Při přeplnění mohou potraviny spadnout dolů a poranit vás a poškodit chladničku při otevření dveří. Na horní stranu chladničky nic nestavte; tyto předměty by jinak mohly spadnout, až otevřete nebo zavřete dvířka chladničky.

- Jelikož vakcíny, léky citlivé na teplo a vědecké materiály atd. vyžadují přesnou teplotu, neskladujte je tedy v této chladničce.
- Pokud chladničku delší dobu nebudete používat, odpojte ji. Možný problém napájecího kabelu by mohl způsobit požár.
- Konec zástrčky pravidelně čistěte; jinak by mohl způsobit požár.
- Konec zástrčky pravidelně čistěte suchým hadříkem; jinak by mohl způsobit požár.
- Chladničku se může pohybovat, pokud její nožky nejsou řádně upevněny na podlaze. Správným nastavením nožek na podlaze předejdete pohybu chladničky.
- Při přenášení chladničky ji nedržte za kliku dvířek. Jinak by se mohla odlomit.
- Když musíte postavit tento výrobek vedle jiné chladničky nebo mrazničky, vzdálenost mezi zařízeními by měla být nejméně 8 cm. Jinak by mohlo dojít k provlhnutí sousedních stěn.

U výrobků s dávkovačem vody;

Tlak vody by měl být minimálně 1 bar.

Tlak vody by měl být maximálně 8 barů.

- Používejte jen pitnou vodu.

Bezpečnost dětí

- Pokud mají dvířka zámek, měli byste skladovat klíč mimo dosah dětí.
- Děti je nutno kontrolovat, aby nezasahovaly do součástí výrobku.

Upozornění HCA

Pokud chladicí systém vašeho výrobku obsahuje R600a:

Tento plyn je hořlavina. Dávejte tedy pozor, abyste nepoškodili systém chlazení a potrubí během použití a přepravy. V případě poškození udržujte výrobek mimo potenciální zdroje hoření, které mohou způsobit vznícení výrobku, a vyvětrejte místnost, v níž je přístroj umístěn.

Ignorujte toto upozornění, pokud chladicí systém vašeho výrobku obsahuje R134a.

Typ plynu použitý ve výrobku je uveden na typovém štítku na levé stěně uvnitř chladničky.

Výrobek nikdy nevhazujte do ohně.

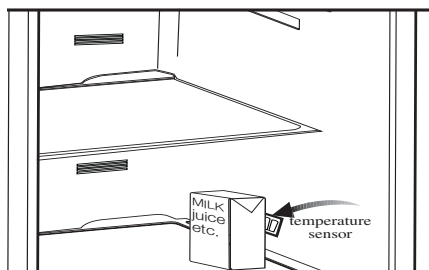
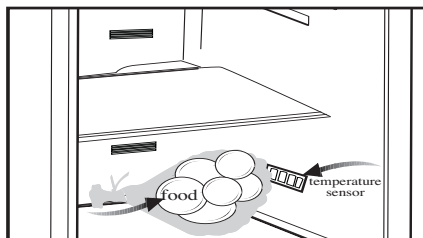
Postup pro úsporu energie

- Nenechávejte dvířka chladničky otevřená delší dobu.
- Nevkládejte do chladničky horké potraviny nebo nápoje.
- Nepřepíňujte chladničku, abyste nebránili oběhu vzduchu uvnitř.
- Neinstalujte chladničku na přímé sluneční světlo nebo do blízkosti tepelných spotřebičů, jako je trouba, myčka nebo radiátor.
- Dávejte pozor, abyste nechávali potraviny v uzavřených nádobách.
- U výrobků s prostorem mrazničky; Maximální množství potravin v mrazničce můžete uskladnit, pokud vyjmete polici nebo zásuvku mrazničky. Hodnota spotřeby energie udaná pro vaši chladničku byla stanovena při vyjmuté polici nebo zásuvce mrazničky a při maximální náplni. Nehrozí riziko při používání police nebo zásuvky podle tvarů a rozměrů potravin, které chcete mrazit.
- Rozmrazování zmražených potravin v prostoru chladničky zajistí úsporu energie a zachová kvalitu potravin.

Doporučení pro prostor pro čerstvé potraviny

* VOLITELNÉ

- Zamezte jakémukoli kontaktu potravin se senzorem teploty v prostoru pro čerstvé potraviny. Z důvodu zajištění ideální skladovací teploty v prostoru pro čerstvé potraviny nesmí být senzor blokován potravinami.
- Nevkládejte do spotřebiče horké potraviny.



3 Instalace

⚠ Nezapomeňte, že výrobce neodpovídá za nedodržení informací uvedených v návodu k použití.

Příprava

- Chladničku instalujte nejméně 30 cm od zdrojů tepla, jako jsou varné desky, trouby, ústřední topení a sporáky a nejméně 5 cm od elektrických trub, neumísťte ji na přímé sluneční světlo.
- Teplota prostředí v místnosti, kde instalujete chladničku, by měla být nejméně 10°C. Používání chladničky za chladnějších podmínek se nedoporučuje vzhledem k její účinnosti.
- Zajistěte, aby byl vnitřek vaší chladničky důkladně vyčištěn.
- Pokud vedle sebe instalujete dvě chladničky, měl by mezi nimi být rozestup nejméně 2 cm.
- Když spustíte chladničku poprvé, dodržujte následující pokyny během prvních šesti hodin.
 - Dveře neotevírejte často.
 - Musí běžet prázdná bez vkládání potravin.
 - Neodpojte chladničku. Pokud dojde k výpadku energie, prostudujte si varování v kapitole "Doporučená řešení problémů".

- Původní obaly a pěnové materiály uschovejte pro budoucí přepravu či přesun.

Body ke zvážení při přepravě chladničky

1. Chladničku je nutno vyprázdnit a vyčistit před jakoukoli přepravou.
2. Police, příslušenství, prostor pro čerstvé potraviny atd. v chladničku je nutno řádně upoutat lepicí páskou, aby nedocházelo k vibracím.
3. Obaly je nutno upevnit silnými páskami a lany a je nutno dodržovat pravidla pro přepravu vytištěná na obalu.

Nezapomeňte...

Každý recyklovaný materiál je nezbytný zdroj pro přírodu a naše národní zdroje.

Pokud chcete přispět k recyklaci obalových materiálů, další informace získáte od orgánů ochrany životního prostředí nebo místních úřadů.

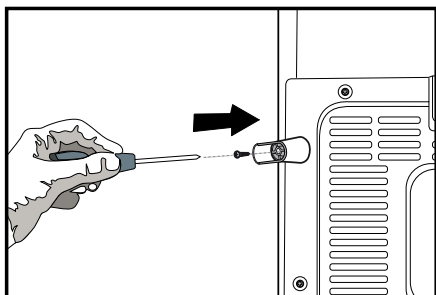
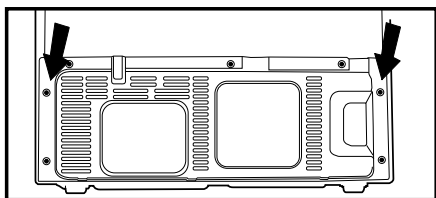
Výměna žárovky

Za účelem výměny žárovky osvětlení v chladničce prosím kontaktujte Autorizovaný servis.

Než chladničku zapnete

Než začnete používat chladničku, zkontrolujte následující:

1. Je vnitřek chladničky suchý a může za ní volně obíhat vzduch?
2. Zasuňte 2 plastové klínky do zadních větracích otvorů dle následujícího obrázku. Odšroubujte stávající a použijte šrouby ze stejného sáčku, v němž byly klínky. Plastové klínky zajistí potřebnou vzdálenost mezi vaší chladničkou a zdí, aby se umožnilo proudění vzduchu.



3. Vyčistěte vnitřek chladničky podle kapitoly “Údržba a čištění”.
4. Zapojte chladničku do sítě. Po otevření dveří se rozsvítí vnitřní osvětlení.
5. Uslyšíte hluk při startování kompresoru. Kapalina a plyn v chladicí soustavě mohou také vydávat zvuky, i když kompresor neběží, což je poměrně normální.
6. Přední kraje chladničky mohou být teplé. Je to zcela normální. Tyto oblasti mají být teplé, aby nedocházelo ke kondenzaci.

Zapojení do sítě

Připojte chladničku k uzemněné zásuvce, která je chráněna pojistkou vhodné kapacity.

Důležité:

- Spojení musí být v souladu s národními předpisy.
 - Napájecí kabel musí být po instalaci snadno dostupný.
 - Napětí a povolená ochrana pojistky jsou uvedeny v kapitole “Technické parametry”.
 - Specifikované napětí musí být rovné napětí v síti.
 - Prodlužovací kabely a vícecestné zásuvky nepoužívejte na spojení.
- ⚠ Poškozený napájecí kabel musí vyměnit kvalifikovaný elektrikář.
- ⚠ Spotřebič nesmíte používat, dokud není opraven! Hrozí riziko zásahu elektrickým proudem!

Likvidace obalu

Obalové materiály mohou být pro děti nebezpečné. Udržujte materiály mimo dosah dětí nebo je zlikvidujte v souladu s pokyny zpracování odpadů. Nelikvidujte je s běžným domovním odpadem.

Balení chladničky je z recyklovatelných materiálů.

Likvidace vaší staré chladničky

Starý přístroj zlikvidujte tak, abyste neohrozili životní prostředí.

- Informace o likvidaci chladničky získáte u autorizovaného prodejce nebo odpadového odboru vašeho města.

Než chladničku použijete, odřízněte zástrčku a v případě, že jsou na dveřích zámky, zneškodněte je, aby nedošlo k ohrožení dětí.

Umístění a instalace

Pozor: Během instalace nikdy nezapojujte chladničku k zásuvce. Jinak může dojít k ohrožení zdraví s následkem smrti.

Pokud nejsou vstupní dveře do místnosti, v níž chladničku nainstalujete, dostatečně široké, aby chladnička prošla, kontaktujte autorizovaný servis a nechte sejmut dveře chladničky a protáhněte je bokem.

1. Chladničku umístěte na místo, které umožňuje snadnou obsluhu.
2. Chladničku umístěte mimo zdroje tepla, vlhka a přímé světlo.
3. Kolem chladničky musí být dostatečný prostor pro ventilaci, aby se zajistila účinnost provozu. Pokud máte chladničku umístit do výklenku, musí být nejméně 5 cm od stropu a 5 cm od stěn.

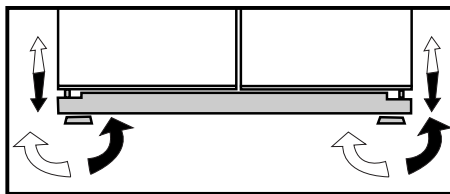
Pokud je na podlaze koberec, musíte zvednout produkt o 2,5 cm nad zem.

4. Umístěte chladničku na rovnou podlahu, aby nedocházelo ke kymácení.
5. Neskladujte chladničku při teplotách pod 10°C.

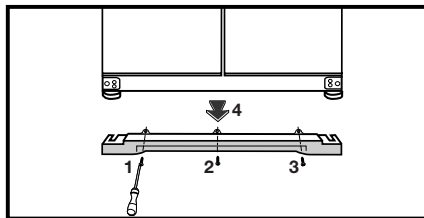
Seřízení rovnováhy

Pokud je vaše chladnička nevyvážená:

1- Větrací kryt odmontujete tak, že odšroubujete jeho šrouby podle obrázku, než zahájíte činnost. Chladničku vyrovnáte tak, že otáčíte předními nožkami podle obrázku. Roh, kde jsou umístěny nožky, se sníží, když otáčíte ve směru černé šipky, zvedne se, když otáčíte opačným směrem. Pokud vám někdo pomůže nadzvednout chladničku, proces se usnadní.

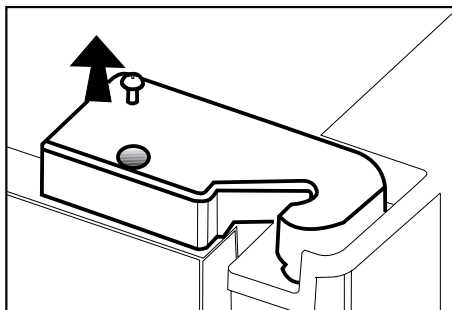
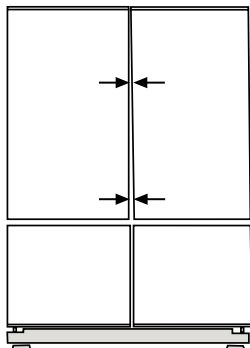


2. Po odstranění problému s rovnováhou nainstalujte zpět větrací kryt a utáhněte šrouby.



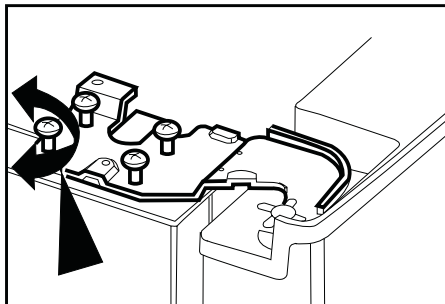
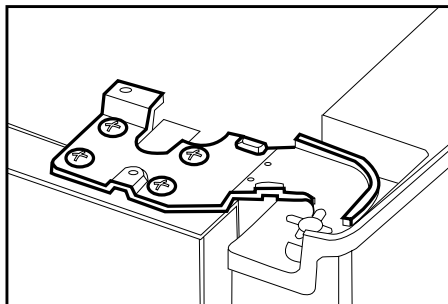
3. Odstraňte šrouby, které upevňují dolní větrací kryt, pomocí křížového šroubováku.

Úprava mezery mezi horními dveřmi

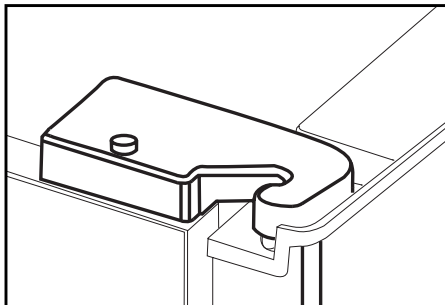
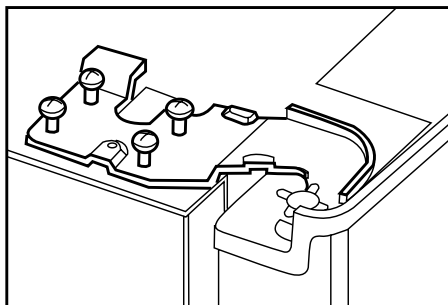


• Můžete nastavit mezeru mezi dveřmi prostoru chladničky podle obrázků. Police ve dveřích by měly být prázdné, když upravujete výšku dveří.

• Šroubovákem odstraňte šroub z horního krytu závěsu ve dveřích, které chcete upravit.



• Upravte dveře podle potřeby pomocí uvolnění šroubů.



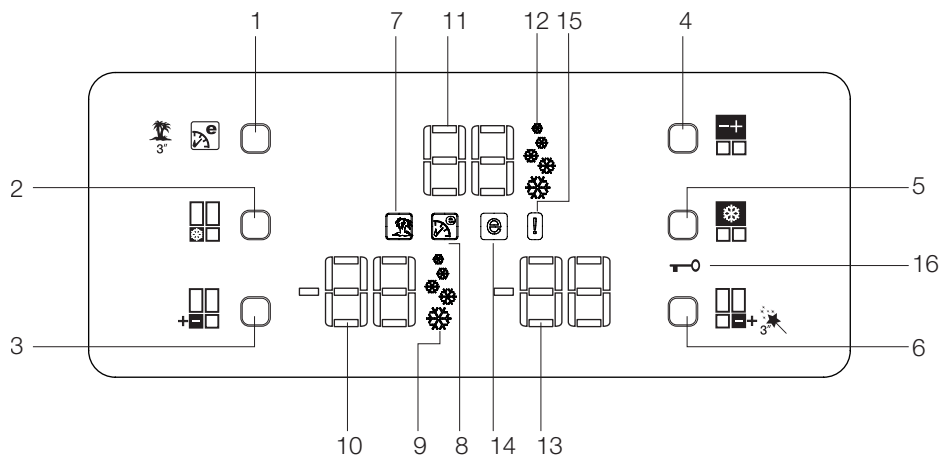
• Upevněte dveře, které jste nastavili, pomocí utahení šroubů, aniž byste změnilí pozici dveří.

• Vraťte zpět kryt závěsu a upevněte jej šroubem.

4 Používání chladničky

Panel ukazatelů

Tento panel ukazatelů s ovladači vám umožňuje nastavit teplotu, aniž byste otvírali dveře chladničky. Stačí vám stisknout příslušné tlačítko a nastavíte teplotu.



1. Tlačítko Eco Extra/Vacation (Eco Extra/Prázdniny)
2. Tlačítko pro rychlé mražení
3. Prostor mrazničky - tlačítko nastavení teploty
4. Prostor chladničky - tlačítko nastavení teploty
5. Tlačítko rychlého mražení
6. Tlačítko nastavení teploty víceúčelové zóny
7. Ukazatel funkce prázdnin
8. Ukazatel funkce úsporného provozu
9. Ukazatel funkce rychlého mražení
10. Ukazatel teploty prostoru mrazničky
11. Ukazatel teploty prostoru chladničky
12. Ukazatel funkce rychlého chlazení
13. Ukazatel teploty víceúčelové zóny
14. Ukazatel ekonomického provozu
15. Ukazatel chyby
16. Ukazatel zámku

1. Tlačítko Eco Extra/Vacation (Eco Extra/Prázdniny)

Krátkým stiskem aktivujete funkci Eco Extra. Stiskněte a přidržte toto tlačítko 3 sekundy a aktivujte funkci Prázdniny. Dalším stiskem tohoto tlačítka zvolenou funkci vypnete.

2. Tlačítko pro rychlé mražení

Krátkým stiskem aktivujete funkci rychlého mražení. Dalším stiskem tohoto tlačítka zvolenou funkci vypnete.

3. Prostor mrazničky - tlačítko nastavení teploty

Stiskem tohoto tlačítka nastavíte teplotu prostoru mrazničky na -18, -20, -22, -24, -18... Stiskem tohoto tlačítka nastavíte požadovanou teplotu v prostoru mrazničky.

4. Prostor chladničky - tlačítko nastavení teploty

Stiskem tohoto tlačítka nastavíte teplotu prostoru chladničky na 8, 6, 4, 2, 8... Stiskem tohoto tlačítka nastavíte požadovanou teplotu v prostoru chladničky.

5. Tlačítko Quick Cool (Rychlé chlazení)

Krátkým stiskem aktivujete funkci rychlého chlazení. Dalším stiskem tohoto tlačítka zvolenou funkci vypnete.

6. Tlačítko nastavení teploty víceúčelové zóny

Prostor víceúčelové zóny můžete nastavit jako chladničku nebo mrazničku. Stiskněte a přidržte toto

tlačítko 3 sekundy a nastavte prostor víceúčelové zóny buď jako mrazničku, nebo chladničku. Tento prostor je od výrobce nastaven jako prostor mrazničky.

Pokud nastavíte víceúčelovou zónu jako mrazničku, změní se teplota víceúčelové zóny na -18, -20, -22, -24, -18... při každém stisknutí tohoto tlačítka. Pokud nastavíte víceúčelovou zónu jako chladničku, změní se teplota víceúčelové zóny na 10, 8, 6, 4, 2, 0, -6... při každém stisknutí tohoto tlačítka.

7. Ukazatel funkce prázdnin

Označuje, že je funkce prázdnin aktivní. Pokud je tato funkce aktivní, na ukazateli prostoru chladničky se objeví “- -” a v prostoru chladničky nedochází k žádnému chlazení. Další prostory se budou ochlazovat v souladu s teplotou, kterou pro ně nastavíte. Stiskem příslušného tlačítka tuto funkci vypnete.

8. Ukazatel funkce úsporného provozu

Označuje, že je funkce Eco Extra aktivní. Pokud je tato funkce aktivní, vaše chladnička automaticky detekuje poslední období používání a během této doby se pak bude provádět energeticky úsporné chlazení. Ukazatel úsporného prostoru bude aktivní při provádění energeticky úsporného chlazení.

Stiskem příslušného tlačítka tuto funkci vypnete.

9. Ukazatel funkce rychlého mražení

Označuje, že je funkce rychlého mražení aktivní. Použijte tuto funkci, když vložíte čerstvé potraviny do prostoru mrazničky nebo když potřebujete led. Když je tato funkce aktivní, vaše chladnička poběží 6 hodin bez zastavení.

Stiskem příslušného tlačítka tuto funkci vypnete.

10. Ukazatel teploty v mrazničce

Udává teplotu nastavenou pro prostor mrazničky.

11. Ukazatel teploty v chladničce

Udává teplotu nastavenou pro prostor chladničky.

12. Ukazatel funkce rychlého chlazení

Označuje, že je funkce rychlého chlazení aktivní. Použijte tuto funkci, když vložíte čerstvé potraviny do prostoru chladničky nebo když potřebujete rychle ochladit potraviny. Když je tato funkce aktivní, vaše chladnička poběží 2 hodin bez zastavení.

Stiskem příslušného tlačítka tuto funkci vypnete.

13. Ukazatel teploty víceúčelové zóny

Označuje teplotu nastavenou pro prostor víceúčelové zóny.

14. Ukazatel úsporného režimu

Označuje, že chladnička běží v energeticky úsporném režimu. Teplota v prostoru mrazničky

Tento ukazatel bude aktivní, pokud nastavíte funkci na -18 nebo probíhá energeticky úsporné chlazení v rámci funkce Eco-Extra.

15. Ukazatel chyby

Pokud vaše chladnička nechladí správně nebo pokud dojde k poruše snímačů, tento ukazatel se aktivuje. Když je tento ukazatel aktivní, na ukazateli teploty prostoru mrazničky se zobrazí "E" a na ukazateli teploty v prostoru chladničky se zobrazí číslice, například "1,2,3..". Tato čísla na ukazateli poskytují informace o chybě servisním pracovníkům.

16. Ukazatel zámku

Použijte tuto funkci, pokud nechcete změnit nastavení teploty ve vaší chladničce. Tuto funkci aktivujete stiskem tlačítka Quick Cool (rychlé chlazení) a tlačítka nastavení teploty ve víceúčelové zóně současně po dobu 3 sekund.

Stiskem příslušných tlačítek tuto funkci vypnete.

Poplach při otevřených dveřích:

Pokud zůstanou dveře prostoru chladničky nebo prostoru

Víceúčelové zóny otevřené minimálně 1 minutu, aktivuje se akustický poplach při otevřených dveřích. Stačí pak stisknout jakékoli tlačítko na ukazateli nebo zavřít dveře, čímž se poplach ukončí.

Táček na vejce

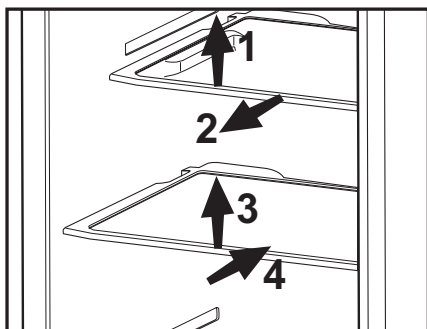
- Držák vajec můžete nainstalovat na požadovanou polici ve dveřích či chladničky.
- Vajíčka nikdy neskladujte v prostoru mrazničky.

Posuvné police trupu

- Posuvné police trupu přitáhnete tak, že je nadzvednete zpředu a posunete dozadu a dopředu. Zastaví se, když je přitáhnete dopředu, abyste mohli dosáhnout na potraviny umístěné na zadní straně police; když je nepatrně vytáhnete poté, co jste je nadzvedli ve druhém bodě zastavení, police trupu se uvolní.

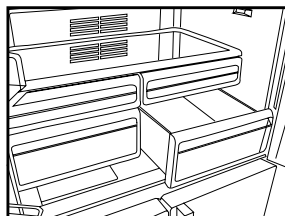
Polici pevně držte i zespoda, aby nedošlo k jejímu převrácení. Police trupu je umístěna na kolejnicích po stranách trupu chladničky, a to na jedné nižší a jedné vyšší úrovni.

Polici trupu zatlačte dozadu, aby řádně seděla.



Prostor pro čerstvé potraviny

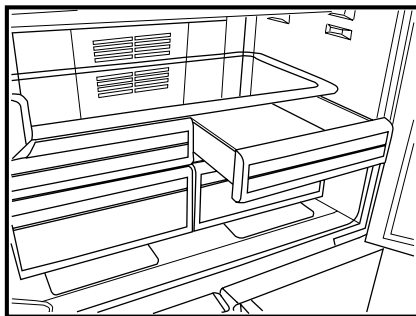
Prostor pro čerstvé potraviny ve vaší chladničce je navržen tak, aby se vaše zelenina udržela čerstvá a neztrácela vlhkost. Z tohoto důvodu dochází k cirkulaci chladného vzduchu po prostoru pro čerstvé potraviny.



Prostor chlazení

Prostor chlazení umožňuje připravit potraviny na zmrazení. Tento prostor můžete používat i k uskladnění potravin při teplotě o pár stupňů nižší než v prostoru chladničky.

Můžete zvýšit vnitřní objem chladničky, pokud odstraníte některý z prostorů na svačiny. Přitáhnete prostor k sobě; prostor se opře o zarážku a zastaví se. Tento prostor se uvolní, když jej zvednete asi o 1 cm a přitáhnete jej k sobě.



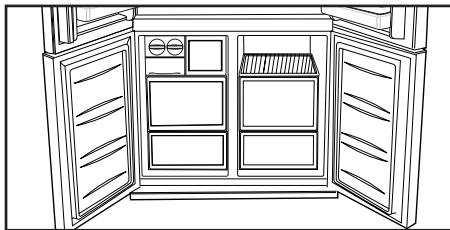
Otočná střední část

Otočná střední část slouží k tomu, aby chladný vzduch v chladničce neunikal ven. Otočná střední část posiluje těsnění, jelikož se těsnění na dveřích natlačí na povrch otočné střední části, když uzavřete dveře prostoru chladničky. Dalším důvodem, proč je vaše chladnička vybavena otočnou střední částí, je ten, že se tím zvyšuje čistý objem prostoru chladničky. Standardní střední části obsahují určitý nepoužitelný objem.

Otočnou střední část musíte uzavřít, když jsou levá dvířka prostoru chladničky otevřená. Nesmí se otevírat manuálně, otáčí se pomocí plastové části umístěné na trupu.

Prostor víceúčelové zóny

Prostor víceúčelové zóny můžete použít v libovolném požadovaném režimu tak, že jej nastavíte na chlazení (2/4/6/8°C) nebo mražení (-18/-20/-22/-24). Můžete udržovat prostor v požadované teplotě pomocí tlačítek nastavení teploty ve víceúčelové zóně. Teplotu prostoru víceúčelové zóny je



možno nastavit na 0 a 10 stupňů nad rámec teploty prostoru chladničky a na -6 stupňů oproti teplotám v prostoru mrazničky. 0 stupňů slouží k delšímu uschování jemných potravin, -6 stupňů slouží k uschování masa až po dobu 2 týdnů ve stavu snadného nakrájení.

i Funkce přepnutí na prostor chlazení nebo mražení je zaručena chladícím prvkem umístěným v uzavřeném oddíle (prostor kompresoru) za chladničkou. Během činnosti tohoto prvku můžete zaslechnout zvuky podobné tikání hodin. Je to normální a nejde o závadu.

Modré světlo

Potraviny v přihrádkách pro čerstvé potraviny, které jsou ozářeny modrým světlem, pokračují ve fotosyntéze pomocí účinku vlnové délky modrého světla, a tím se zachovává jejich čerstvost a zvyšuje se obsah vitamínů.



5 Údržba a čištění

- ⚠ Nikdy na čištění nepoužívejte benzín, technický benzín a podobné materiály.
- ⚠ Doporučujeme odpojit přístroj od sítě, než jej začnete čistit.
- Nikdy nepoužívejte brusné nástroje, mýdlo, domovní čistič, odmašťovač či voskové čisticí prostředky.
- Použijte vlažnou vodu pro vyčištění skříně a otřete ji pak dosucha.
- Použijte vlhký hadřík namočený do roztoku jedné čajové lžičky sody bikarbony na půl litru vody na vyčištění vnitřku, pak jej dosucha otřete.
- Zajistěte, aby do krytu světla a jiných elektrických prvků nepronikla voda.
- Pokud chladničku delší dobu nebudete používat, odpojte napájecí kabel, vyjměte všechny potraviny, vyčistěte jej a nechte dveře otevřené.
- Pravidelně kontrolujte těsnění dvířek, abyste zajistili jejich čistotu a nezanesení částicemi potravin.
- Pro odstranění polic ve dveřích odstraňte všechny obsah a pak jen zvedněte dveřní polici vzhůru ze základny.

Ochrana plastových ploch

- Nevkládejte tekuté oleje nebo pokrmy s obsahem oleje do chladničky v neuzavřených nádobách, jelikož poškodí plastovou plochu vaší chladničky. V případě rozlití nebo rozetření oleje na plastové ploše vyčistěte a opláchněte příslušnou část plochy teplou vodou.

6 Doporučená řešení problémů

Než zavoláte do servisu, projděte si tento seznam. Možná vám ušetří čas a peníze. Tento seznam obsahuje časté stížnosti, které nejsou způsobeny vadným zpracováním či použitými materiály. Některé zde uvedené funkce nemusí být přítomny na vašem výrobku.

Chladnička nefunguje
<ul style="list-style-type: none">• Je chladnička řádně zapojena? Zasuňte zástrčku do sítě.• Není vypálena pojistka zástrčky, do níž je chladnička zapojena, nebo hlavní pojistka? Zkontrolujte pojistku.
Kondenzace na boční stěně prostoru chladničky. (MULTI ZONE, COOL CONTROL a FLEXI ZONE)
<ul style="list-style-type: none">• Velmi nízká teplota prostředí. Časté otevírání a zavírání dveří. Vysoká vlhkost v prostředí. Skladování potravin s obsahem kapalin v otevřených nádobách. Necháňí otevřených dveří.• Přepnutí termostatu na nižší teplotu.• Snížení času otevřených dveří nebo méně časté použití.• Zakrytí potravin v otevřených nádobách vhodným materiálem.• Otřete kondenzaci suchým hadrem a ověřte, zda je stále přítomna.
Kompresor neběží
<ul style="list-style-type: none">• Tepelná pojistka kompresoru se zapne během náhlého výpadku energie nebo odpojení a zapojení, jelikož tlak chladicího média v chladicí soustavě chladničky není dosud vyvážen.• Vaše chladnička začne fungovat asi po 6 minutách. Kontaktujte servis, pokud se chladnička nespustí na konci této doby.• Chladnička je v režimu odmrazování. Toto je normální pro chladničku s plně automatickým odmrazováním. Cyklus odmražení probíhá pravidelně.• Chladnička není zapojena do zásuvky. Ověřte, zda je zásuvka pevně zasunuta do zásuvky.• Je správně nastavena teplota? Došlo k přerušení elektrické energie. Kontaktujte dodavatele elektrické energie.

Chladnička často běží nebo běží dlouhodobě.

- Nová chladnička může být širší než ta předchozí. Je to zcela normální. Četší chladničky fungují delší dobu.
- Okolní teplota v místnosti je možná vysoká. Je to zcela normální.
- Chladnička možná byla nedávno zapojena nebo byla naplněna potravinami. Ochlazování chladničky může trvat o pár hodin déle.
- V nedávné době jste do chladničky vložili velké množství teplých pokrmů. Horké pokrmy způsobují delší fungování chladničky až do dosažení bezpečné teploty pro uchování.
- Dveře se mohly otevřít častěji nebo byly ponechány dlouhou dobu otevřené. Teplý vzduch, který pronikl do chladničky, způsobil dlouhodobější chod chladničky. Otevírejte dveře méně často.
- Mraznička nebo dveře chladničky zůstaly dokořán. Zkontrolujte, zda jsou dveře pevně zavřeny.
- Chladnička je nastavena na velmi nízkou teplotu. Upravte teplotu chladničky na vyšší hodnotu a počkejte na dosažení této teploty.
- Těsnění dveří chladničky nebo mrazničky může být ušpiněno, opotřebené, prasklé nebo nesprávně usazené. Vyčistěte nebo vyměňte těsnění. Poškození/prasklé těsnění způsobuje dlouhodobý chod chladničky pro udržení správné teploty.

Teplota mrazničky je velmi nízká, zatímco teplota v chladničce je dostatečná.

- Teplota mrazničky je nastavena na velmi nízkou teplotu. Upravte teplotu mrazničky na vyšší hodnotu a zkontrolujte ji.

Teplota chladničky je velmi nízká, zatímco teplota v mrazničce je dostatečná.

- Teplota chladničky je nastavena na velmi nízkou teplotu. Upravte teplotu chladničky na vyšší hodnotu a zkontrolujte ji.

Jídlo v chladničce začíná mrznout.

- Teplota chladničky je nastavena na velmi nízkou teplotu. Upravte teplotu chladničky na vyšší hodnotu a zkontrolujte ji.

Teplota v mrazničce nebo chladničce je velmi vysoká.

- Teplota chladničky je nastavena na velmi vysokou teplotu. Nastavení chladničky má vliv na teplotu v mrazničce. Změňte teplotu chladničky nebo mrazničky, dokud teplota v chladničce nebo mrazničce nedosáhne dostatečnou hodnotu.
- Dveře možná zůstaly dokořán. Řádně zavírejte dveře.
- V nedávné době jste do chladničky vložili velké množství teplých pokrmů. Počkejte, až chladnička nebo mraznička dosáhne požadované teploty.
- Chladnička byla nedávno zapojena. Chlazení chladničky trvá určitou dobu kvůli jejím rozměrům.

Z chladničky se ozývá zvuk podobný tikání analogových hodin.

- Tento zvuk vychází z elektromagnetického ventilu chladničky. Elektromagnetický ventil má zajistit průchod chladiwa prostorem, který lze nastavit na teploty chlazení nebo mražení, a pro ochlazování. Je to normální a nejde o závadu.

Provozní hluk se zvyšuje, když je chladnička zapnutá.
<ul style="list-style-type: none"> • Provozní vlastnosti chladničky se mohou změnit podle výkyvů okolní teploty. Je to normální, nejde o poruchu.
Vibrace nebo hluk.
<ul style="list-style-type: none"> • Podlaha není rovná nebo je slabá. Chladnička se při pohybu kymácí. Ověřte, zda je podlaha rovná, pevná a unese chladničku. • Hluk mohou způsobovat předměty ukládané na chladničku. Tyto předměty sejměte z chladničky.
Ozývá se zvuk jako rozlévání kapaliny nebo stříkání.
<ul style="list-style-type: none"> • Proudění kapalin a plynu se může objevit v souladu s provozními zásadami vaší chladničky. Je to normální, nejde o poruchu.
Ozývá se hluk jako kvílení větru.
<ul style="list-style-type: none"> • Pro účinné chlazení chladničky se používají vzduchové aktivátory (ventilátory). Je to normální, nejde o poruchu.
Kondenzace na vnitřních stěnách chladničky.
<ul style="list-style-type: none"> • Horké a vlhké počasí zvyšuje tvorbu ledu a kondenzace. Je to normální, nejde o poruchu. • Dveře jsou dokořán. Ověřte, zda jsou dveře zcela zavřené. • Dveře se asi často otevíraly nebo zůstaly dlouhou dobu otevřené. Otevírejte dveře méně často.
Vlhkost na vnější straně chladničky nebo mezi dveřmi.
<ul style="list-style-type: none"> • Možná je vlhké počasí. Ve vlhkém počasí je to normální. Po poklesu vlhkosti kondenzace zmizí.
Nepříjemný zápach v chladničce.
<ul style="list-style-type: none"> • Chladničku je nutno vyčistit uvnitř. Vyčistěte vnitřek chladničky houbičkou, teplou vodou nebo karbonovou vodou. • Některé nádoby či obalové materiály mohou způsobit zápach. Použijte odlišnou nádobu nebo obalový materiál jiné značky.
Dveře se nezavírají
<ul style="list-style-type: none"> • Zabalené potraviny mohou bránit v zavírání dveří. Vyměňte obaly, které brání v chodu dveří. • Chladnička možná není zcela svislá a může se při mírném postrčení zakymácet. Upravte seřizovací šrouby. • Podlaha není rovná či silná. Ověřte, zda je podlaha rovná a unese chladničku.
Příhrádky na čerstvé potraviny jsou zaseklé.
<ul style="list-style-type: none"> • Potraviny se možná dotýkají horní strany zásuvek. Upravte rozložení potravin v zásuvce.

Bitte lesen Sie zuerst diese Anleitung!

Lieber Kunde,

Wir sind sicher, dass Ihnen dieses Produkt, das in modernsten Fertigungsstätten hergestellt und den strengsten Qualitätsprüfungen unterzogen wurde, lange Zeit gute Dienste leisten wird.




Wir empfehlen Ihnen, vor Inbetriebnahme des Gerätes das gesamte Handbuch durchzulesen und es anschließend aufzubewahren.

Diese Anleitung...

- ... hilft Ihnen, Ihr Gerät schnell und sicher bedienen zu können.
 - Lesen Sie die Anleitung, bevor Sie Ihr Produkt aufstellen und bedienen.
 - Halten Sie sich an die Anweisungen, beachten Sie insbesondere die Sicherheitshinweise.
 - Bewahren Sie die Anleitung an einem leicht zugänglichen Ort auf, damit Sie jederzeit darin nachschlagen können.
 - Lesen Sie auch die weiteren Dokumente, die mit Ihrem Produkt geliefert wurden.
- Bitte beachten Sie, dass diese Anleitung eventuell auch für andere Geräte eingesetzt werden kann.

Symbole und ihre Bedeutung

In dieser Anleitung finden Sie die folgenden Symbole:

-  Wichtige Informationen oder nützliche Tipps.
-  Warnung vor Verletzungen oder Sachschäden.
-  Warnung vor elektrischem Strom.

Recycling



Dieses Produkt ist mit dem selektiven Entsorgungssymbol für elektrische und elektronische Altgeräte (WEEE) gekennzeichnet.

Das bedeutet, dass dieses Produkt gemäß der europäischen Richtlinie 2002/96/EC gehandhabt werden muss, um mit nur minimalen umweltspezifischen Auswirkungen recycelt oder zerlegt werden zu können. Weitere Informationen erhalten Sie von Ihren regionalen Behörden.

Elektronikprodukte, die nicht durch den selektiven Entsorgungsvorgang erfasst werden, stellen durch das Vorhandensein potenziell gefährlicher Substanzen umwelt- und gesundheitsrelevante Risiken dar.

INHALT

1 Ihr Kühlschrank 3

2 Wichtige Hinweise zu Ihrer Sicherheit 4

Bestimmungsgemäßer Gebrauch	4
Bei Geräten mit Wasserspender:	6
Kinder – Sicherheit	6
HCA-Warnung.....	6
Tipps zum Energiesparen	7
Empfehlungen zum Kühlbereich.....	7

3 Installation 8

Vorbereitung	8
Was Sie bei einem weiteren Transport Ihres Kühlschranks beachten müssen	8
Auswechseln der Beleuchtung	8
Bevor Sie Ihren Kühlschrank einschalten	9
Elektrischer Anschluss	9
Verpackungsmaterialien entsorgen	9
Altgeräte entsorgen	9
Aufstellung und Installation	10
Gerade, ausbalancierte Aufstellung..	10
Spalt zwischen den Türen anpassen	11

4 Nutzung des Kühlschranks 12

Anzeigefeld.....	12
Tür offen-Alarm:	14
Verschiebbare Ablagen	15
Eierbehälter	15
Gemüsefach	15
Kühlfach	15
Drehbarer Mittelbereich	16
Multizone-Aufbewahrungsbereich....	16
Blaues Licht.....	16

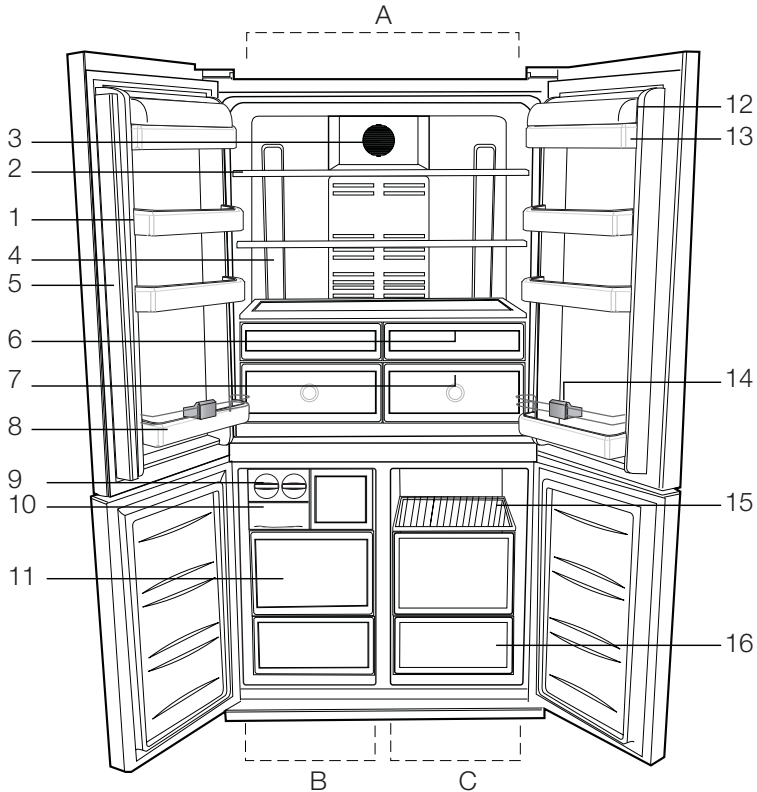
5 Wartung und Reinigung 17

Schutz der Kunststoffflächen	17
------------------------------------	----

6 Empfehlungen zur Problemlösung 18

7 Beko Customer Care 21

1 Ihr Kühlschrank



- A: Kühlbereich
- B: Tiefkühlbereich
- C: Multizone

- | | |
|--|---------------------------------|
| 1- Kühlbereich-Türablagen | 10- Eisbehälter |
| 2- Verstellbare Ablagen im Kühlbereich | 11- Tiefkühlfächer |
| 3- Leuchtenabdeckung | 12- Butter- & Käsefachabdeckung |
| 4- Beleuchtung | 13- Butter- & Käsefach |
| 5- Drehbarer Mittelbereich | 14- Flaschenhalter |
| 6- Kühlfach | 15- Multizone-Ablagen |
| 7- Gemüsefach | 16- Multizone-Bereich |
| 8- Flaschenablage | |
| 9- Eiswürfelmaschine | |

i Abbildungen und Angaben in dieser Anleitung sind schematisch und können etwas von Ihrem Produkt abweichen. Falls Teile nicht zum Lieferumfang des erworbenen Produktes zählen, gelten sie für andere Modelle.

2 Wichtige Hinweise zu Ihrer Sicherheit

Bitte lesen Sie die folgenden Hinweise aufmerksam durch. Bei Nichtbeachtung kann es zu Verletzungen und Sachschäden kommen. In diesem Fall erlöschen auch sämtliche Garantie- und sonstigen Ansprüche.

Die reguläre Einsatzzeit des von Ihnen erworbenen Gerätes beträgt 10 Jahre. In diesem Zeitraum halten wir Ersatzteile für das Gerät bereit, damit es stets wie gewohnt arbeiten kann.

Bestimmungsgemäßer Gebrauch

Dieses Produkt ist für folgende Einsatzzwecke vorgesehen:

- Nutzung in Innenräumen; beispielsweise im Privathaushalt
- Einsatz in Geschäftsräumen; beispielsweise in Geschäften und Büros
- Verwendung auf Bauernhöfen oder in Beherbergungsbetrieben; beispielsweise in Hotels und Pensionen
- Das Gerät sollte nicht im Freien benutzt werden.

Allgemeine Hinweise zu Ihrer Sicherheit

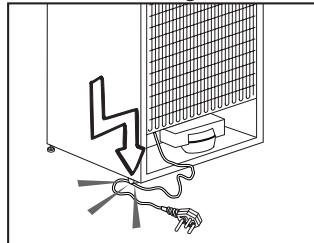
- Wenn Sie das Gerät entsorgen möchten, wenden Sie sich am besten an den autorisierten Kundendienst. Hier erhalten Sie notwendige Informationen und erfahren, welche Stellen für die Entsorgung zuständig sind.
- Bei Problemen und Fragen zum Gerät wenden Sie sich grundsätzlich an den autorisierten Kundendienst. Ziehen Sie keine Dritten zu Rate, versuchen Sie nichts in Eigenregie, ohne den autorisierten Kundendienst davon in Kenntnis zu setzen.
- Bei Geräten mit Tiefkühlbereich: Der Verzehr von Speiseeis und Eiswürfeln unmittelbar nach der Entnahme aus dem Tiefkühlbereich ist nicht ratsam.

(Dies kann zu Erfrierungen führen.)

- Bei Geräten mit Tiefkühlbereich: Bewahren Sie Getränke in Flaschen sowie Dosen niemals in Tiefkühlbereich auf. Diese platzen.
- Berühren Sie gefrorene Lebensmittel nicht mit der Hand; sie können festfrieren.
- Ziehen Sie den Netzstecker, bevor Sie den Kühlschrank reinigen oder abtauen.
- Verwenden Sie niemals Dampf- oder Sprühereiniger zum Reinigen oder Abtauen Ihres Kühlschranks. Die Dämpfe oder Nebel können in Kontakt mit stromführenden Teilen geraten und Kurzschlüsse oder Stromschläge auslösen.
- Missbrauchen Sie niemals Teile Ihres Kühlschranks (z. B. Tür) als Befestigungen oder Kletterhilfen.
- Nutzen Sie keine elektrischen Geräte innerhalb des Kühlschranks.
- Achten Sie darauf, den Kühlkreislauf keinesfalls mit Bohr- oder Schneidwerkzeugen zu beschädigen. Das Kühlmittel kann herausspritzen, wenn die Gaskanäle des Verdunsters, Rohr- und Schlauchleitungen oder Oberflächenversiegelungen beschädigt werden. Dies kann zu Hautreizungen und Augenverletzungen führen.
- Decken Sie keinerlei Belüftungsöffnungen des Kühlschranks ab.
- Elektrogeräte dürfen nur von autorisierten Fachkräften repariert werden. Reparaturen durch weniger kompetente Personen können erhebliche Gefährdungen des Anwenders verursachen.
- Sollten Fehler oder Probleme während der Wartung oder Reparaturarbeiten auftreten, so trennen Sie den Kühlschrank von der Stromversorgung, indem Sie die entsprechende Sicherung abschalten oder den Netzstecker ziehen.

- Ziehen Sie niemals am Netzkabel – fassen Sie stets den Stecker selbst.
- Lagern Sie hochprozentige alkoholische Getränke gut verschlossen und aufrecht.
- Lagern Sie niemals Behälter mit brennbaren Gasen (z. B. Spraydosen) oder explosive Dinge im Kühlschrank.
- Nutzen Sie keine mechanischen oder andere Hilfsmittel, um das Gerät abzutauen – es sei denn, solche Hilfsmittel werden ausdrücklich vom Hersteller empfohlen.
- Dieses Gerät darf nicht von Personen (einschließlich Kindern) benutzt werden, die unter körperlichen oder geistigen Einschränkungen leiden oder denen es an der nötigen Erfahrung im Umgang mit solchen Geräten mangelt. Eine Ausnahme kann gemacht werden, wenn solche Personen ständig beaufsichtigt werden und/oder gründlich in der Verwendung des Gerätes unterwiesen wurden.
- Nehmen Sie einen beschädigten Kühlschrank nicht in Betrieb. Wenden Sie sich im Zweifelsfall unbedingt zuerst an den Kundendienst.
- Die elektrische Sicherheit des Gerätes ist nur dann gewährleistet, wenn das hausinterne Erdungssystem den zutreffenden Normen entspricht.
- Setzen Sie das Gerät keinem Regen, Schnee, direktem Sonnenlicht oder Wind aus, da dies die elektrische Sicherheit gefährden kann.
- Damit es nicht zu Gefährdungen kommt, lassen Sie beschädigte Netzkabel unverzüglich vom Kundendienst austauschen.
- Stecken Sie während der Installation niemals den Netzstecker ein. Andernfalls kann es zu schweren bis tödlichen Verletzungen kommen.
- Der Kühlschrank darf nur zum Lagern von Lebensmitteln, keinesfalls für andere Zwecke verwendet werden.
- Das Typenschild mit technischen Daten befindet sich an der linken Innenwand des Kühlschranks.

- Schließen Sie den Kühlschrank niemals an Energiesparsysteme an; andernfalls kann es zu Beschädigungen kommen.
- Bei Geräten mit blauer Innenbeleuchtung: Schauen Sie niemals mit optischen Hilfsmitteln in das blaue Licht.
- Bei manuell gesteuerten Kühlschränken warten Sie nach Stromausfällen mindestens 5 Minuten ab, bevor Sie das Gerät neu starten.
- Falls Sie das Gerät an einen anderen Besitzer weitergeben, vergessen Sie nicht, die Bedienungsanleitung ebenfalls weiterzugeben.
- Achten Sie beim Transportieren des Kühlschranks darauf, dass das Netzkabel nicht beschädigt wird. Geknickte Kabel können sich entzünden. Stellen Sie niemals schwere Gegenstände auf dem Netzkabel ab. Berühren Sie den Netzstecker niemals mit feuchten oder gar nassen Händen.



- Stecken Sie den Netzstecker niemals in lose Steckdosen ein.
- Sprühen Sie aus Sicherheitsgründen niemals direkt Wasser auf die Innen- und Außenflächen des Gerätes.
- Nutzen Sie niemals leicht entzündliche Substanzen (z. B. Propangas) in der Nähe des Kühlschranks; es besteht Brand- und Explosionsgefahr.
- Stellen Sie niemals mit Wasser oder anderen Flüssigkeiten gefüllte Gefäße auf dem Kühlschrank ab; es besteht Brand- und Stromschlaggefahr.
- Überladen Sie den Kühlschrank nicht mit übermäßig vielen Lebensmitteln. Bei Überladung können Lebensmittel beim Öffnen der Tür herausfallen, Sachschäden und Verletzungen

verursachen. Stellen Sie niemals Gegenstände auf dem Kühlschrank ab; solche Gegenstände können beim Öffnen und Schließen der Kühlschranktür herabfallen.

- Materialien, die bei exakt festgelegten Temperaturen gelagert werden müssen (beispielsweise Impfstoffe, wärmeempfindliche Arznei, wissenschaftliche Proben, usw.) sollten nicht im Kühlschrank gelagert werden.
- Ziehen Sie den Netzstecker, wenn Sie den Kühlschrank längere Zeit nicht nutzen. Andernfalls können Brände durch defekte Netzkabel nicht gänzlich ausgeschlossen werden.
- Die Kontakte des Netzsteckers sollten regelmäßig gereinigt werden; andernfalls besteht Brandgefahr.
- Die Steckerkontakte sollten regelmäßig gereinigt werden; andernfalls besteht Brandgefahr.
- Der Kühlschrank kann sich bewegen, falls die Füße nicht richtig auf dem Boden aufliegen. Stellen Sie die verstellbaren Füße so ein, dass der Kühlschrank absolut stabil steht und sich somit nicht bewegen kann.
- Tragen Sie den Kühlschrank nicht am Türgriff; der Griff kann abbrechen.
- Wenn Sie das Gerät neben einem anderen Kühlgerät aufstellen, achten Sie darauf, dass zwischen den Geräten mindestens 8 cm Platz verbleiben. Andernfalls kann sich Feuchtigkeit an den Seitenwänden niederschlagen.

Bei Geräten mit Wasserspender:

Der Wasserdruck sollte zwischen 1 und 8 bar liegen.

- Nur Trinkwasser verwenden.

Kinder – Sicherheit

- Bei abschließbaren Türen bewahren Sie den Schlüssel außerhalb der Reichweite von Kindern auf.
- Kinder müssen stets beaufsichtigt werden, damit sie nicht mit dem Gerät spielen.

HCA-Warnung

Falls Ihr Gerät mit dem Kühlmittel R600a arbeitet:

Dieses Gas ist leicht entflammbar. Achten Sie also darauf, Kühlkreislauf und Leitungen während Betrieb und Transport nicht zu beschädigen. Bei Beschädigungen halten Sie das Produkt von potenziellen Zündquellen (z. B. offenen Flammen) fern und sorgen für eine gute Belüftung des Raumes, in dem das Gerät aufgestellt wurde.

Diese Warnung können Sie ignorieren, wenn Ihr Gerät mit dem Kühlmittel R134a arbeitet.

Das verwendete Kühlmittel wird auf dem Typenschild an der linken Innenseite des Kühlschranks angegeben.

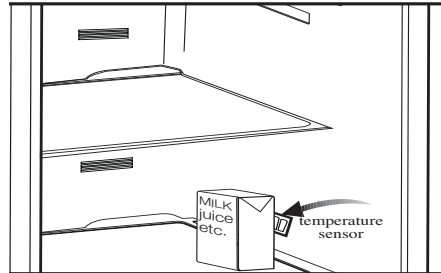
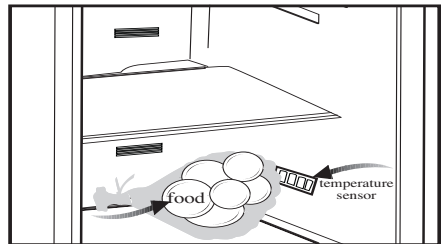
Entsorgen Sie das Gerät niemals durch Verbrennen.

Tipps zum Energiesparen

- Halten Sie die Kühlschränktüren nur möglichst kurz geöffnet.
- Lagern Sie keine warmen Speisen oder Getränke im Kühlschrank ein.
- Überladen Sie den Kühlschrank nicht; die Luft muss frei zirkulieren können.
- Stellen Sie den Kühlschrank nicht im direkten Sonnenlicht oder in der Nähe von Wärmequellen wie Öfen, Spülmaschinen oder Heizkörpern auf.
- Achten Sie darauf, Ihre Lebensmittel in verschlossenen Behältern aufzubewahren.
- Bei Geräten mit Tiefkühlbereich: Sie können noch mehr Lebensmittel einlagern, wenn Sie die Ablagen oder Schubladen aus dem Tiefkühlbereich herausnehmen. Die Energieverbrauchswerte Ihres Kühlschranks wurden bei maximaler Beladung mit herausgenommenen Ablagen oder Schubladen ermittelt. Ansonsten ist es Ihnen natürlich freigestellt, die Ablagen oder Schubladen zu verwenden.
- Wenn Sie gefrorene Lebensmittel im Kühlbereich auftauen, sparen Sie Energie und bewahren die Qualität der Lebensmittel.

Empfehlungen zum Kühlbereich * FAKULTATIV

- Achten Sie darauf, dass der Temperatursensor im Kühlbereich nicht mit Lebensmitteln in Berührung kommt. Damit die optimale Lagerungstemperatur im variablen Fach beibehalten werden kann, darf der Sensor nicht von Lebensmitteln blockiert werden.
- Geben Sie keine heißen Speisen in das Gerät.



3 Installation

⚠ Bitte beachten Sie, dass der Hersteller nicht haftet, wenn Sie sich nicht an die Informationen und Anweisungen der Bedienungsanleitung halten.

Vorbereitung

- Ihr Kühlschrank sollte mindestens 30 cm von Hitzequellen wie Kochstellen, Öfen, Heizungen, Herden und ähnlichen Einrichtungen aufgestellt werden. Halten Sie mindestens 5 cm Abstand zu Elektroöfen ein, vermeiden Sie die Aufstellung im direkten Sonnenlicht.
- Die Zimmertemperatur des Raumes, in dem der Kühlschrank aufgestellt wird, sollte mindestens 10 °C betragen. Im Hinblick auf den Wirkungsgrad ist der Betrieb des Kühlschranks bei geringerer Umgebungstemperatur nicht ratsam.
- Sorgen Sie dafür, dass das Innere Ihres Kühlschranks gründlich gereinigt wird.
- Falls zwei Kühlschränke nebeneinander aufgestellt werden sollen, achten Sie darauf, dass sie mindestens 2 cm voneinander entfernt platziert werden.
- Wenn Sie den Kühlschrank zum ersten Mal in Betrieb nehmen, halten Sie sich bitte an die folgenden Anweisungen für die ersten sechs Betriebsstunden.
 - Die Kühlschranktür sollte nicht zu häufig geöffnet werden.
 - Der Kühlschrank muss zunächst vollständig leer arbeiten.
 - Ziehen Sie nicht den Netzstecker. Falls der Strom ausfallen sollte, beachten Sie die Warnhinweise im Abschnitt „Empfehlungen zur Problemlösung“.

- Originalverpackung und Schaumstoffmaterialien sollten zum zukünftigen Transport des Gerätes aufbewahrt werden.

Was Sie bei einem weiteren Transport Ihres Kühlschranks beachten müssen

1. Der Kühlschrank muss vor dem Transport geleert und gesäubert werden.
2. Befestigen und sichern Sie Ablagen, Zubehör, Gemüsefach, etc. mit Klebeband, bevor Sie das Gerät neu verpacken.
3. Die Verpackung muss mit kräftigem Klebeband und stabilen Seilen gesichert, die auf der Verpackung aufgedruckten Transporthinweise müssen beachtet werden.

Vergessen Sie nicht...

Jeder wiederverwendete Artikel stellt eine unverzichtbare Hilfe für unsere Natur und unsere Ressourcen dar.

Wenn Sie zur Wiederverwertung von Verpackungsmaterialien beitragen möchten, können Sie sich bei Umweltschutzvereinigungen und Ihren Behörden vor Ort informieren.

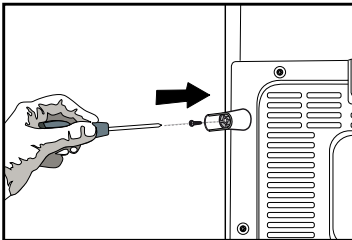
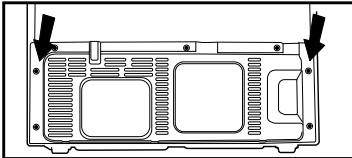
Auswechseln der Beleuchtung

Die Innenbeleuchtung Ihres Kühlschranks sollte ausschließlich vom autorisierten Kundendienst ausgetauscht werden.

Bevor Sie Ihren Kühlschrank einschalten

Bevor Sie Ihren Kühlschrank in Betrieb nehmen, beachten Sie bitte Folgendes:

1. Ist der Innenraum des Kühlschranks trocken, kann die Luft frei an der Rückseite zirkulieren?
2. Setzen Sie die beiden Kunststoffkeile wie in der folgenden Abbildung gezeigt an den hinteren Belüftungsöffnungen ein. Drehen Sie die vorhandenen Schrauben heraus, verwenden Sie die mit den Keilen abgepackten Schrauben. Die Kunststoffkeile sorgen für den richtigen Abstand zwischen Kühlschrank und Wand - und damit für die richtige Luftzirkulation.



3. Reinigen Sie das Innere des Kühlschranks wie im Abschnitt „Wartung und Reinigung“ beschrieben.
4. Stecken Sie den Netzstecker des Kühlschranks in eine Steckdose. Bei geöffneter Tür schaltet sich das Licht im Innenraum ein.
5. Sie hören ein Geräusch, wenn sich der Kompressor einschaltet. Die Flüssigkeiten und Gase im Kühlsystem können auch leichte Geräusche erzeugen, wenn der Kompressor nicht läuft. Dies ist völlig normal.
6. Die Vorderkanten des Kühlgerätes können sich warm anfühlen. Dies ist normal. Diese Bereiche wärmen sich etwas auf, damit sich kein Kondenswasser bildet.

Elektrischer Anschluss

Schließen Sie Ihren Kühlschrank an eine geerdete (Schuko-) Steckdose an. Diese Steckdose muss mit einer passenden Sicherung abgesichert werden.

Wichtig:

- Der Anschluss muss gemäß lokaler Vorschriften erfolgen.
 - Der Netzstecker muss nach der Installation frei zugänglich bleiben.
 - Informationen zur richtigen Spannung und Sicherungsdimensionierung finden Sie im Abschnitt „Technische Daten“.
 - Die angegebene Spannung muss mit Ihrer Netzspannung übereinstimmen.
 - Zum Anschluss dürfen keine Verlängerungskabel oder Mehrfachsteckdosen verwendet werden.
- ⚠ Ein beschädigtes Netzkabel muss unverzüglich durch einen qualifizierten Elektriker ausgetauscht werden.
- ⚠ Das Gerät darf vor Abschluss der Reparaturen nicht mehr eingeschaltet werden! Es besteht Stromschlaggefahr!

Verpackungsmaterialien entsorgen

Das Verpackungsmaterial kann eine Gefahr für Kinder darstellen. Halten Sie Verpackungsmaterialien von Kindern fern oder entsorgen Sie das Verpackungsmaterial gemäß den gültigen Entsorgungsbestimmungen. Entsorgen Sie Verpackungsmaterialien nicht mit dem regulären Hausmüll. Die Verpackung Ihres Gerätes wurde aus recyclingfähigen Materialien hergestellt.

Altgeräte entsorgen

Entsorgen Sie Altgeräte auf umweltfreundliche Weise.

- Bei Fragen zur richtigen Entsorgung wenden Sie sich bitte an Ihren Händler, an eine Sammelstelle oder an Ihre Stadtverwaltung.

Bevor Sie das Gerät entsorgen, schneiden Sie den Netzstecker ab und machen die Türverschlüsse (sofern vorhanden) unbrauchbar, damit Kinder nicht in Gefahr gebracht werden.

Aufstellung und Installation

Achtung: Stecken Sie während der Installation niemals den Netzstecker ein. Andernfalls kann es zu schweren bis tödlichen Verletzungen kommen.

Falls die Tür des Raumes, in dem der Kühlschrank aufgestellt werden soll, nicht breit genug ist, wenden Sie sich an den autorisierten Kundendienst, lassen die Kühlschranktüren demontieren und befördern das Gerät seitlich durch die Tür.

1. Stellen Sie Ihren Kühlschrank an einer gut erreichbaren Stelle auf.
2. Platzieren Sie den Kühlschrank nicht in der Nähe von Wärmequellen oder dort, wo er Feuchtigkeit oder direktem Sonnenlicht ausgesetzt ist.
3. Damit das Gerät richtig arbeiten kann, müssen Sie ausreichend Platz um das Gerät herum freilassen, damit eine ordentliche Belüftung gewährleistet ist. Wenn Sie den Kühlschrank in einer Nische aufstellen, müssen Sie einen Abstand von mindestens 5 cm zur Decke und 5 cm zu den Wänden einhalten.

Wenn Sie das Gerät auf einem Teppich oder Teppichboden aufstellen, müssen Sie einen Abstand von mindestens 2,5 cm zum Boden einhalten.

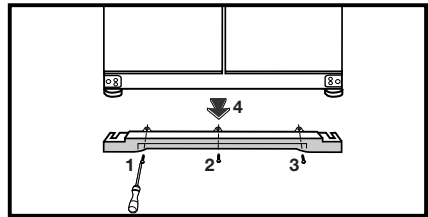
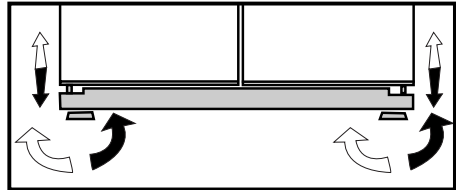
4. Stellen Sie Ihren Kühlschrank auf einem ebenen Untergrund auf, damit er nicht wackelt.
5. Stellen Sie den Kühlschrank nicht an Stellen auf, an denen Temperaturen von weniger als 10 °C herrschen.

Gerade, ausbalancierte Aufstellung

Wenn Ihr Kühlschrank nicht absolut gerade steht:

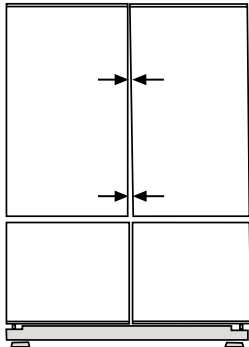
1: Drehen Sie zunächst die Schrauben an der Belüftungsöffnungabdeckung wie in der Abbildung gezeigt heraus. Sie können den Kühlschrank – wie in der Abbildung gezeigt – durch Drehen der Frontfüße ausbalancieren. Wenn Sie in Richtung des schwarzen Pfeils drehen, senkt sich die Ecke, an der sich der Fuß befindet. Beim Drehen in Gegenrichtung wird die Ecke angehoben. Diese Arbeit fällt erheblich leichter, wenn ein Helfer das Gerät etwas anhebt.

2. Wenn das Gerät absolut gerade steht, bringen Sie die Belüftungsöffnungabdeckung wieder an und fixieren sie mit Schrauben.

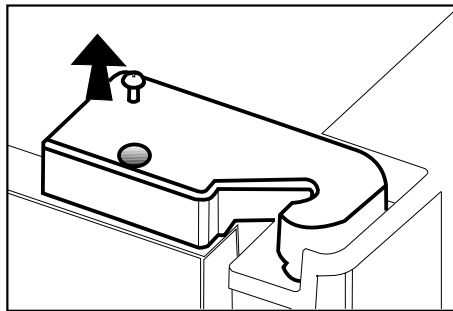


3. Drehen Sie die Schrauben an der unteren Belüftungsöffnungabdeckung mit einem Kreuzkopfschraubendreher heraus.

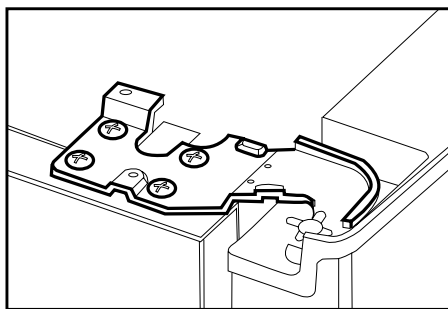
Spalt zwischen den Türen anpassen



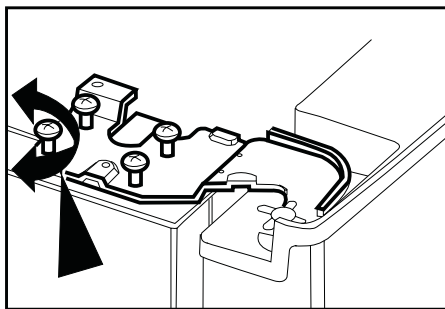
- Sie können den Spalt zwischen den Kühlbereichtüren wie in den Abbildungen gezeigt anpassen.



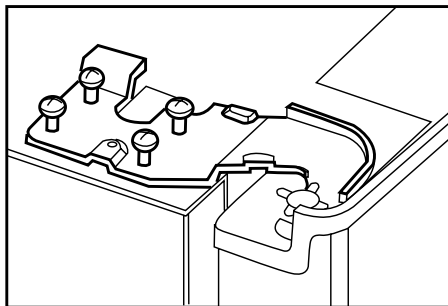
- Beim Einstellen der Türhöhe sollten die Türablagen leer sein.



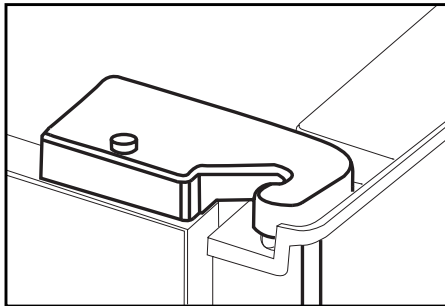
- Fixieren Sie die eingestellte Tür durch Anziehen der Schrauben; ändern Sie die Türposition dabei nicht.



- Drehen Sie mit einem Schraubendreher die Schraube am oberen Türscharnier der einzustellenden Tür heraus.



- Setzen Sie die Scharnierabdeckung wieder auf, ziehen Sie die Schraube an.

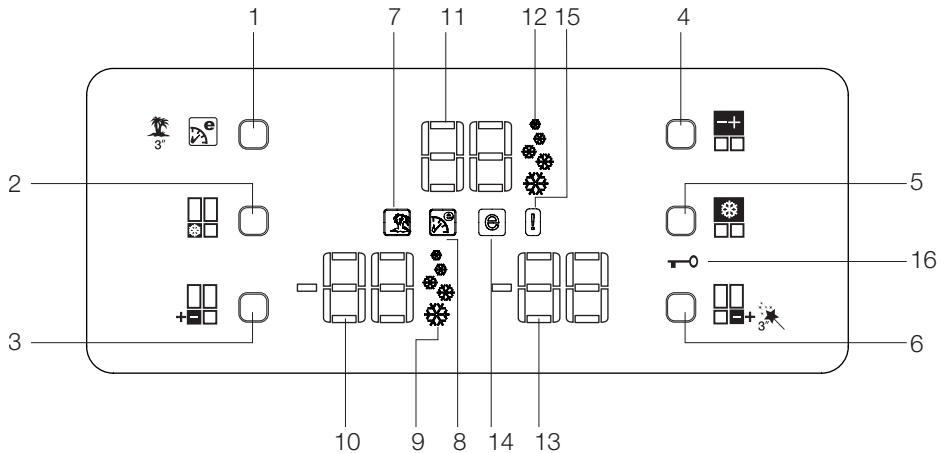


- Stellen Sie die Tür nach Lösen der Schrauben nach Wunsch ein.

4 Nutzung des Kühlschranks

Anzeigefeld

Über das Sensor-Anzeigefeld können Sie die Temperatur einstellen, ohne die Tür Ihres Kühlgerätes öffnen zu müssen. Zur Temperature Auswahl berühren Sie die passenden Tasten einfach mit dem Finger.



- | | |
|---|--------------------------------------|
| 1. Öko-Extra-/Urlaubstaste | 9. Schnellgefrieranzeige |
| 2. Schnellgefriertaste | 10. Tiefkühlbereichtemperaturanzeige |
| 3. Tiefkühlbereichtemperatureinstelltaste | 11. Kühlbereichtemperaturanzeige |
| 4. Kühlbereichtemperatureinstelltaste | 12. Schnellkühlanzeige |
| 5. Schnellkühltaste | 13. MultiZone-Temperaturanzeige |
| 6. MultiZone-Temperatureinstelltaste | 14. Ökomodus-Anzeige |
| 7. Urlaubsfunktionanzeige | 15. Fehlerstatusanzeige |
| 8. Öko-Extra-Anzeige | 16. Tastensperre-Anzeige |

1. Öko-Extra-/Urlaubstaste

Zum Einschalten der Öko Extra-Funktion berühren Sie diese Taste nur kurz. Durch Gedrückthalten dieser Taste (3 Sekunden lang) schalten Sie die Urlaubsfunktion ein. Zum Abschalten der ausgewählten Funktion berühren Sie die Taste noch einmal.

2. Schnellgefriertaste

Zum Einschalten der Schnellgefrierfunktion berühren Sie diese Taste nur kurz. Zum Abschalten der ausgewählten Funktion berühren Sie die Taste noch einmal.

3. Tiefkühlbereichtemperatureinstell-taste

Durch mehrmaliges Drücken dieser Taste stellen Sie die Tiefkühlbereichtemperatur auf -18 °, -20 °, -22 °, -24 °, -18 °C ... ein. Stellen Sie die Temperatur des Tiefkühlbereiches mit dieser Taste ein.

4. Kühlbereichtemperatureinstell-taste

Durch mehrmaliges Drücken dieser Taste stellen Sie die Kühlbereichtemperatur auf 8 °, 6 °, 4°, 2 °, 8 °C ... ein. Stellen Sie die Temperatur des Kühlbereiches mit dieser Taste ein.

5. Schnellkühltaste

Zum Einschalten der Schnellkühlfunktion berühren Sie diese Taste nur kurz. Zum Abschalten der ausgewählten Funktion berühren Sie die Taste noch einmal.

6. MultiZone-Temperatureinstelltaste

Den MultiZone-Bereich können Sie entweder zum Kühlen oder zum Tiefkühlen verwenden. Durch Gedrückthalten dieser Taste (3 Sekunden lang) stellen Sie den MultiZone-Bereich entweder auf Kühlen oder Tiefkühlen ein. Per Vorgabe ist dieser Bereich auf Tiefkühlen eingestellt.

Wenn der MultiZone-Bereich auf Tiefkühlen eingestellt ist, ändert sich die Temperaturvorgabe bei jedem Tastendruck wie folgt: -18, -20, -22, -24, -18, ... Wenn der MultiZone-Bereich auf Tiefkühlen eingestellt ist, ändert sich die Temperaturvorgabe bei jedem Tastendruck wie folgt: 10, 8, 6, 4, 2, 0, -6,...

7. Urlaubsfunktionanzeige

Zeigt an, dass die Urlaubsfunktion aktiv ist. Wenn diese Funktion aktiv ist, erscheint „-“ in der Anzeige zum Kühlbereich – der Kühlbereich wird nicht mehr gekühlt. Die restlichen Bereiche werden weiterhin mit den vorgegebenen Temperaturen gekühlt.

Zum Abschalten dieser Funktion berühren Sie die Taste noch einmal.

8. Öko-Extra-Anzeige

Zeigt an, dass die Öko Extras-Funktion aktiv ist. Wenn diese Funktion aktiv ist, erkennt Ihr Kühlgerät die Zeiten, in denen Sie das Kühlgerät besonders selten nutzen und passt die Kühlungsleistung in diesen Zeiträumen entsprechend an. In den Perioden besonders energiesparender Kühlung leuchtet die Ökomodus-Anzeige auf.

Zum Abschalten dieser Funktion berühren Sie die Taste noch einmal.

9. Schnellgefrieranzeige

Zeigt an, dass die Schnellgefrierfunktion aktiv ist. Diese Funktion nutzen Sie, wenn Sie frische Lebensmittel in das Tiefkühlfach geben oder Eis benötigen. Wenn diese Funktion aktiv ist, arbeitet Ihr Kühlgerät 6 Stunden lang ununterbrochen.

Zum Abschalten dieser Funktion berühren Sie die Taste noch einmal.

10. Tiefkühlbereichstemperaturanzeige

Zeigt die für den Tiefkühlbereich eingestellte Temperatur an.

11. Kühlbereichstemperaturanzeige

Zeigt die für den Kühlbereich eingestellte Temperatur an.

12. Schnellkühlanzeige

Zeigt an, dass die Schnellkühlfunktion aktiv ist. Diese Funktion nutzen Sie, wenn Sie frische Lebensmittel in das Kühlfach geben oder Ihre Lebensmittel besonders schnell kühlen möchten. Wenn diese Funktion aktiv ist, arbeitet Ihr Kühlgerät 2 Stunden lang ununterbrochen.

Zum Abschalten dieser Funktion berühren Sie die Taste noch einmal.

13. MultiZone-Temperaturanzeige

Zeigt die für den MultiZone-Bereich voreingestellte Temperatur an.

14. Ökomodus-Anzeige

Zeigt an, dass das Kühlgerät besonders energiesparend arbeitet. Kühlbereichstemperatur

Diese Anzeige leuchtet auf, wenn die Temperatur auf -18 °C eingestellt ist oder das Gerät im Zuge der Öko Extra-Funktion besonders ökonomisch arbeitet.

15. Fehlerstatusanzeige

Diese Anzeige wird aktiv, wenn Ihr Kühlgerät nicht effektiv funktioniert oder ein Sensor ausgefallen sein sollte. Wenn diese Anzeige aktiv ist, zeigt die Tiefkühlbereichstemperaturanzeige „E“, die Kühlbereichstemperaturanzeige Zahlen an; z. B. „1, 2, 3, ...“. Anhand dieser Zahlen kann der Kundendienst wertvolle Informationen über den jeweiligen Fehler gewinnen.

16. Tastensperre-Anzeige

Diese Funktion nutzen Sie, wenn die Temperatureinstellungen Ihres Kühlgerätes unverändert bleiben sollen. Zum Einschalten dieser Funktion halten Sie die Schnellkühl- und die MultiZone-Temperatureinstell-taste gemeinsam 3 Sekunden lang gedrückt. Zum Abschalten dieser Funktion drücken Sie die entsprechenden Tasten noch einmal.

Tür offen-Alarm:

Falls die Tür zum Kühlbereich oder zum MultiZone-Bereich länger als 1 Minute geöffnet bleibt, ertönt ein Signalton. Zum Abschalten dieses Alarms drücken Sie einfach eine beliebige Taste oder schließen die geöffnete Tür.

Eierbehälter

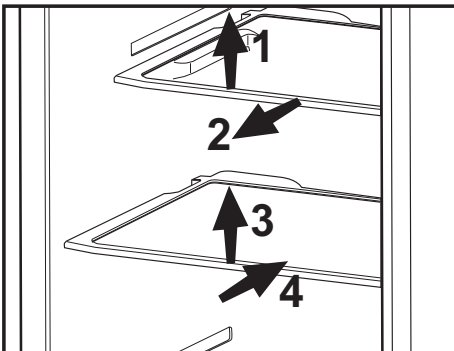
- Sie können den Eierhalter in der Tür oder auf einer Ablage platzieren.
- Legen Sie den Eierhalter niemals in den Tiefkühlbereich.

Verschiebbare Ablagen

Sie verschieben die Ablagen, indem Sie sie vorne etwas anheben und anschließend nach vorne ziehen oder nach hinten schieben. Sie können die Ablagen bis zum Anschlag herausziehen, um leichter an die Lebensmittel im hinteren Teil der Ablage heranzukommen. Die Ablage lässt sich vollständig entnehmen, indem Sie sie leicht anheben und anschließend weiter herausziehen.

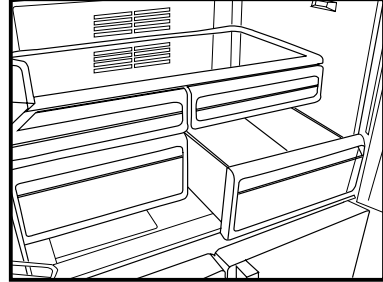
Halten Sie die Ablage fest im Griff (am besten von unten abstützen), damit sie nicht kippt. Die Ablagen laufen in Schienen an den Seiten des Innenraums; Sie können Schienen in unterschiedlicher Höhe nutzen.

Schieben Sie die Ablage stets bis zum Anschlag ein.



Gemüsefach

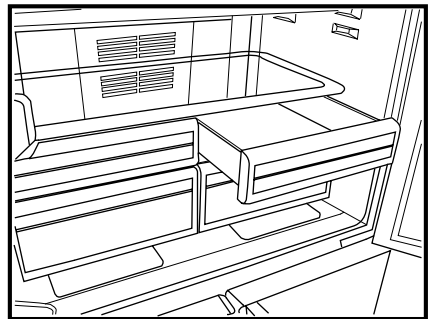
Im Gemüsefach Ihres Kühlgerätes bleibt Gemüse länger frisch und behält seine natürliche Feuchtigkeit. Dazu wird ständig kühle Luft zum Gemüsefach geleitet.



Kühlfach

Im Kühlfach können Sie Lebensmittel auf das Einfrieren vorbereiten. Ebenso eignet sich dieser Bereich für Lebensmittel, die Sie ein paar Grad unterhalb der regulären Kühlbereichstemperatur aufbewahren möchten.

Durch Herausnehmen der Snack-Ablage(n) können Sie das Volumen Ihres Kühlschranks vergrößern. Dazu ziehen Sie das entsprechende Fach zu sich heran, bis es gegen den Anschlag stößt. Nun heben Sie das Fach etwa 1 cm an und ziehen es zu sich hin heraus.



Drehbarer Mittelbereich

Der drehbare Mittelbereich sorgt dafür, dass die kühle Luft im Inneren Ihres Kühlgerätes nicht nach außen entweichen kann. Wenn die Türen des Kühlbereiches geschlossen sind, liegen die Tüрдichtungen am drehbaren Mittelbereich an und versiegeln diesen Bereich zusätzlich. Ein weiterer Vorteil des drehbaren Mittelbereiches besteht darin, dass sich dadurch das Nettovolumen des Kühlbereiches vergrößert. Andernfalls würde wertvoller Platz im Kühlgerät verschwendet.

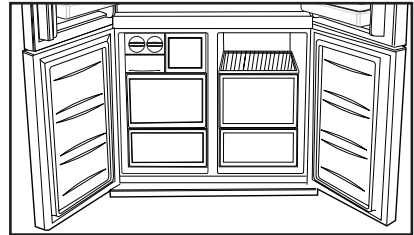
Der drehbare Mittelbereich muss geschlossen sein, wenn die linke Tür des Kühlbereiches geöffnet wird. Ein manuelles Öffnen ist nicht möglich – das Öffnen geschieht durch ein spezielles Kunststoffteil im Gehäuse.

Multizone- Aufbewahrungsbereich

Den Multizone-Bereich können Sie nach Belieben einsetzen; durch individuelle Einstellung der Kühl- (2, 4, 6, 8 °C) oder Tiefkühltemperatur (-18, -20, -22, -24 °C). Die gewünschte Temperatur stellen Sie mit der Multizone-Temperatureinstelltaste ein. Zusätzlich zu den üblichen Einstellungen des (Tief-)Kühlbereiches können Sie die Temperatur des Multizone-Bereiches auf 0 und 10 ° oder auf -6 °C einstellen.

Bei 0 °C können Sie Feinkost länger aufbewahren, bei -6 °C hält sich Fleisch bis zu zwei Wochen lang und kann nach dem Herausnehmen auch problemlos geschnitten werden.

i Ein spezielles Kühlelement an der Rückseite des Gerätes sorgt dafür, dass sich dieser Bereich zum Kühlen oder Tiefkühlen einsetzen lässt. Wenn dieses Kühlelement aktiv ist, können Geräusche entstehen, die an das Ticken einer Uhr erinnern. Dies ist völlig normal und keine Fehlfunktion.



Blaues Licht

Im Gemüsefach gelagertes Gemüse, wird mit blauem Licht beleuchtet. Dadurch wird die Photosynthese mit Hilfe des Wellenlängeneffekts des blauen Lichts fortgesetzt, Vitamine und Frische bleiben erhalten.



5 **Wartung und Reinigung**

- ⚠ Verwenden Sie zu Reinigungszwecken niemals Benzin oder ähnliche Substanzen.
- ⚠ Wir empfehlen, vor dem Reinigen den Netzstecker zu ziehen.
- ℹ Verwenden Sie zur Reinigung niemals scharfe Gegenstände, Seife, Haushaltsreiniger, Waschmittel oder Wachspolituren.
- ℹ Reinigen Sie das Gehäuse des Gerätes mit lauwarmem Wasser, wischen Sie die Flächen danach trocken.
- ℹ Zur Reinigung des Innenraums verwenden Sie ein feuchtes Tuch, das Sie in eine Lösung aus 1 Teelöffel Natron und einem halben Liter Wasser getaucht und ausgewrungen haben. Nach dem Reinigen wischen Sie den Innenraum trocken.
- ⚠ Achten Sie darauf, dass kein Wasser in das Lampengehäuse oder andere elektrische Komponenten eindringt.
- ⚠ Wenn Ihr Kühlgerät längere Zeit nicht benutzt wird, ziehen Sie den Netzstecker, nehmen alle Lebensmittel heraus, reinigen das Gerät und lassen die Türe geöffnet.
- ℹ Kontrollieren Sie die Türdichtungen regelmäßig, um sicherzustellen, dass diese sauber und frei von Speiseresten sind.
- ℹ Zum Entfernen einer Türablage räumen Sie sämtliche Gegenständen aus der Ablage und schieben diese dann nach oben heraus.

Schutz der Kunststoffflächen

- ℹ Geben Sie keine Öle oder stark fetthaltige Speisen offen in Ihren Kühlschrank – dadurch können die Kunststoffflächen angegriffen werden. Sollten die Kunststoffoberflächen einmal mit Öl in Berührung kommen, so reinigen Sie die entsprechend Stellen umgehend mit warmem Wasser.

6 Empfehlungen zur Problemlösung

Bitte arbeiten Sie diese Liste durch, bevor Sie den Kundendienst anrufen. Das kann Ihnen Zeit und Geld sparen. In der Liste finden Sie häufiger auftretende Probleme, die nicht auf Verarbeitungs- oder Materialfehler zurückzuführen sind. Nicht alle hier beschriebenen Funktionen sind bei jedem Modell verfügbar.

Der Kühlschrank arbeitet nicht
<ul style="list-style-type: none">• Ist der Kühlschrank richtig angeschlossen? Stecken Sie den Netzstecker in die Steckdose.• Ist die entsprechende Haussicherung herausgesprungen oder durchgebrannt? Überprüfen Sie die Sicherung.
Kondensation an den Seitenwänden des Kühlbereiches. (MULTIZONE, KÜHLKONTROLLE, FLEXIZONE)
<ul style="list-style-type: none">• Sehr geringe Umgebungstemperaturen. Häufiges Öffnen und Schließen der Tür. Sehr feuchte Umgebung. Offene Lagerung von feuchten Lebensmitteln. Tür nicht richtig geschlossen.• Kühlere Thermostateinstellung wählen.• Türen kürzer geöffnet halten oder seltener öffnen.• Offene Behälter abdecken oder mit einem geeigneten Material einwickeln.• Kondensation mit einem trockenen Tuch entfernen und überprüfen, ob diese erneut auftritt.
Der Kompressor läuft nicht
<ul style="list-style-type: none">• Eine Schutzschaltung stoppt den Kompressor bei kurzzeitigen Unterbrechungen der Stromversorgung und wenn das Gerät zu oft und schnell ein- und ausgeschaltet wird, da der Druck des Kühlmittels eine Weile lang ausgeglichen werden muss.• Ihr Kühlschrank beginnt nach etwa sechs Minuten wieder zu arbeiten. Bitte wenden Sie sich an den Kundendienst, wenn Ihr Kühlschrank nach Ablauf dieser Zeit nicht wieder zu arbeiten beginnt.• Der Kühlschrank taut ab. Dies ist bei einem vollautomatisch abtauenden Kühlschrank völlig normal. Das Gerät taut von Zeit zu Zeit ab.• Der Netzstecker ist nicht eingesteckt. Überzeugen Sie sich davon, dass der Stecker komplett in die Steckdose eingesteckt ist.• Stimmen die Temperatureinstellungen? Der Strom ist ausgefallen. Wenden Sie sich an Ihren Stromversorger.

Der Kühlschrank arbeitet sehr intensiv oder über eine sehr lange Zeit.

- Ihr neuer Kühlschrank ist vielleicht etwas breiter als sein Vorgänger. Dies ist völlig normal. Große Kühlgeräte arbeiten oft längere Zeit.
- Die Umgebungstemperatur kann hoch sein. Dies ist normal.
- Das Kühlgerät wurde möglicherweise erst vor kurzem in Betrieb genommen oder mit Lebensmitteln gefüllt. Es kann einige Stunden länger dauern, bis der Kühlschrank seine Arbeitstemperatur erreicht hat.
- Kurz zuvor wurden größere Mengen warmer Speisen im Kühlschrank eingelagert. Heiße Speisen führen dazu, dass der Kühlschrank etwas länger arbeiten muss, bis die geeignete Temperatur zur sicheren Lagerung erreicht ist.
- Türen wurden häufig geöffnet oder längere Zeit nicht richtig geschlossen. Der Kühlschrank muss länger arbeiten, weil warme Luft in den Innenraum eingedrungen ist. Öffnen Sie die Türen möglichst selten.
- Die Tür des Kühl- oder Tiefkühlbereichs war nur angelehnt. Vergewissern Sie sich, dass die Türen richtig geschlossen wurden.
- Die Kühlschranktemperatur ist sehr niedrig eingestellt. Stellen Sie die Kühlschranktemperatur höher ein und warten Sie, bis die gewünschte Temperatur erreicht ist.
- Die Türdichtungen von Kühl- oder Gefrierbereich sind verschmutzt, verschlissen, beschädigt oder sitzen nicht richtig. Reinigen oder ersetzen Sie die Dichtung. Beschädigte oder defekte Dichtungen führen dazu, dass der Kühlschrank länger arbeiten muss, um die Temperatur halten zu können.

Die Temperatur im Tiefkühlbereich ist sehr niedrig, während die Temperatur im Kühlbereich normal ist.

- Die Tiefkühltemperatur ist sehr niedrig eingestellt. Stellen Sie die Gefrierfachtemperatur wärmer ein und prüfen Sie.

Die Temperatur im Kühlbereich ist sehr niedrig, während die Temperatur im Tiefkühlbereich normal ist.

- Die Kühltemperatur ist sehr niedrig eingestellt. Stellen Sie die Kühlbereichtemperatur wärmer ein und prüfen Sie.

Im Kühlbereich gelagerte Lebensmittel frieren ein.

- Die Kühltemperatur ist sehr niedrig eingestellt. Stellen Sie die Kühlbereichtemperatur wärmer ein und prüfen Sie.

Die Temperatur im Kühl- oder Tiefkühlbereich ist sehr hoch.

- Die Kühltemperatur ist sehr hoch eingestellt. Die Einstellung des Kühlbereichs beeinflusst die Temperatur im Tiefkühlbereich. Stellen Sie den Kühl- oder Tiefkühlbereich auf die gewünschte Temperatur ein.
- Die Kühlschranktür ist nur angelehnt. Schließen Sie die Tür komplett.
- Kurz zuvor wurden größere Mengen warmer Speisen im Kühlschrank eingelagert. Warten Sie, bis der Kühl- oder Tiefkühlbereich die gewünschte Temperatur erreicht.
- Der Kühlschrank ist eben erst eingeschaltet worden. Ihr Kühlschrank braucht aufgrund der Größe einige Zeit, um sich auf die gewünschte Temperatur abzukühlen.

Der Kühlschrank gibt Geräusche von sich, die an das Ticken des Sekundenzeigers einer Uhr erinnern.

- Dieses Geräusch entsteht durch das Magnetventil des Gerätes. Das Magnetventil sorgt für den richtigen Durchfluss des Kühlmittels; es passt seine Funktion der jeweiligen Situation an. Dies ist völlig normal und keine Fehlfunktion.

Das Betriebsgeräusch nimmt zu, wenn der Kühlschrank arbeitet.

- Das Betriebsverhalten des Kühlgerätes kann sich je nach Umgebungstemperatur ändern. Dies ist völlig normal und keine Fehlfunktion.

Vibrationen oder Betriebsgeräusche.

- Der Boden ist nicht eben oder nicht fest. Der Kühlschrank wackelt, wenn er etwas bewegt wird. Achten Sie darauf, dass der Boden eben, stabil und in der Lage ist, den Kühlschrank problemlos zu tragen.
- Das Geräusch kann durch auf dem Kühlschrank abgestellte Gegenstände entstehen. Nehmen Sie die betreffenden Gegenstände vom Kühlschrank herunter.

Fließ- oder Spritzgeräusche sind zu hören.

- Aus technischen Gründen bewegen sich Flüssigkeiten und Gase innerhalb des Gerätes. Dies ist völlig normal und keine Fehlfunktion.

Windähnliche Geräusche sind zu hören.

- Damit das Gerät möglichst effektiv arbeiten kann, werden Luftumwälzer (Ventilatoren) eingesetzt. Dies ist völlig normal und keine Fehlfunktion.

Kondensation an den Kühlschrankinnenflächen.

- Bei heißen und feuchten Wetterlagen tritt verstärkt Eisbildung und Kondensation auf. Dies ist völlig normal und keine Fehlfunktion.
- Die Türen sind nicht richtig geschlossen. Achten Sie darauf, dass die Türen komplett geschlossen sind.
- Die Türen wurden sehr häufig geöffnet oder längere Zeit offen stehen gelassen. Öffnen Sie die Türen möglichst selten.

Feuchtigkeit sammelt sich an der Außenseite des Kühlschranks oder an den Türen.

- Es herrscht hohe Luftfeuchtigkeit. Dies ist bei feuchtem Wetter völlig normal. Die Kondensation verschwindet, sobald die Feuchtigkeit abnimmt.

Unangenehmer Geruch im Kühlschrankinnenraum.

- Das Innere des Kühlschranks muss gereinigt werden. Reinigen Sie das Innere des Kühlschranks mit einem Schwamm, den Sie mit warmem oder kohlenstoffhaltigem Wasser angefeuchtet haben.
- Bestimmte Behälter oder Verpackungsmaterialien verursachen den Geruch. Verwenden Sie andere Behälter oder Verpackungsmaterial einer anderen Marke.

Die Tür(en) lässt/lassen sich nicht schließen.

- Lebensmittelpackungen verhindern eventuell das Schließen der Tür. Entfernen Sie die Verpackungen, welche die Tür blockieren.
- Der Kühlschrank ist vermutlich nicht absolut gerade aufgestellt und wackelt, wenn er leicht bewegt wird. Stellen Sie die Höheneinstellschrauben ein.
- Der Boden ist nicht eben oder nicht stabil genug. Achten Sie darauf, dass der Boden eben ist und das Gewicht des Kühlschranks problemlos tragen kann.

Das Gemüsefach klemmt.

- Die Lebensmittel berühren eventuell den oberen Teil der Schublade. Ordnen Sie die Lebensmittel in der Schublade anders an.

7 Beko Customer Care

Before you call Beko for service or assistance...
Refer to your User Guide and check the following:

1. Your Appliance is correctly installed.
2. Your Appliance is connected to power.
3. You are familiar with its normal mode of operation
4. You have read the 'Recommended solutions for the problems'

If after checking the points above, the problem still exists, please call our Beko Customer Care hotline as listed below:-

If calling from Australia....

Beko Customer Care and talk to one of our consultants.

Toll Free Toll Free 1300AUBEKO 1300 282 356

Email:Beko.care@Beko.com * **Fax:** (07) 55493546

If calling from New Zealand....

Beko Customer Care and talk to one of our consultants.

Toll Free 0800NZBEKO 0800 69 2356

Email: Beko.care@Beko.com * **Fax:** (+617) 55493546

*** If you contact us by Email please provide the following details:**

Your name and Address

Date of Purchase

Model Number

Serial Number

Complete description of the problem or request

Leggere innanzitutto il manuale di istruzioni.

Gentile Cliente,

Ci auguriamo che l'articolo da Lei scelto, prodotto in moderni stabilimenti e sottoposto ai più severi controlli di qualità, risponda interamente alle Sue esigenze. A tal fine, La invitiamo a leggere attentamente il manuale di istruzioni del prodotto prima di procedere al suo utilizzo e di conservarlo per eventuali consultazioni future.




Il presente manuale

- Aiuterà l'utente ad utilizzare l'apparecchio in modo rapido e sicuro.
- Leggere le istruzioni per l'uso prima di installare e utilizzare il prodotto.
- Seguire attentamente le istruzioni, in particolare quelle inerenti alla sicurezza.
- Conservare il presente manuale in un luogo facilmente accessibile per eventuali future consultazioni.
- Leggere inoltre gli altri documenti forniti assieme al prodotto.

Il presente manuale può essere valido anche per altri modelli.

Simboli e loro descrizione

Il manuale di istruzioni contiene i seguenti simboli:

-  Informazioni importanti o consigli utili di utilizzo.
-  Segnale di avvertimento in caso di situazioni pericolose per la persona o i beni.
-  Segnale di avvertimento in caso di problemi con il voltaggio.

Riciclaggio



Questo prodotto riporta il simbolo di raccolta differenziata per le apparecchiature elettriche ed elettroniche di rifiuto (WEEE).

Ciò significa che il prodotto deve essere gestito in conformità alla direttiva europea 2002/96/EC in modo che durante il riciclaggio e lo smontaggio sia ridotto al minimo l'impatto sull'ambiente. Per ulteriori informazioni contattare le autorità locali o regionali.

I prodotti elettronici non inclusi nel processo di raccolta differenziata sono potenzialmente pericolosi per l'ambiente e la salute umana a causa della presenza di sostanze pericolose.

INDICE

1 Il frigorifero 3

2 Importanti avvertenze per la sicurezza 4

Uso previsto	4
Sicurezza generale	4
Sicurezza bambini	6
Avvertenza HCA	6
Cose da fare per risparmiare energia .	6
Consigli per lo scomparto alimenti freschi	7

3 Installazione 8

Preparazione	8
Punti da tenere in considerazione quando si trasporta nuovamente il frigorifero	8
Cambiare la lampadina di illuminazione	8
Prima di utilizzare il frigorifero	9
Collegamento elettrico	9
Smaltimento del materiale di imballaggio	9
Smaltimento del vecchio frigorifero	9
Posizionamento e installazione	10
Regolazione bilanciamento pavimento	10
Regolazione della distanza tra la porta superiore	11

4 Utilizzo del frigorifero 12

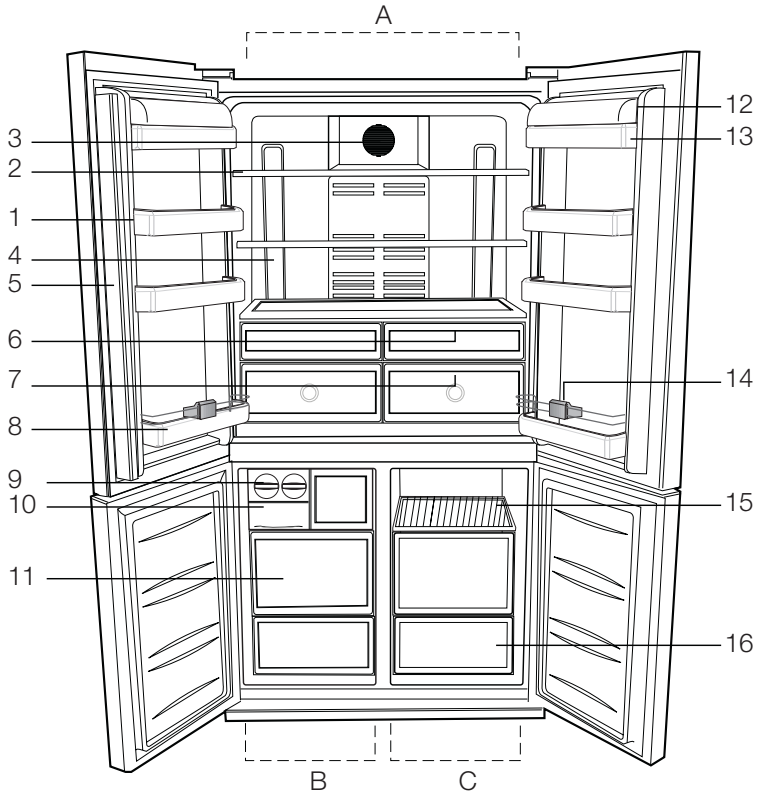
Pannello dei comandi	12
Allarme di apertura sportello:	14
Ripiani estraibili	15
Scomparto per le uova	15
Scomparto frutta e verdura	15
Scomparto Chiller.....	15
Scomparto conservazione Multi Zona.....	16
Sezione centrale rotante	16
Spia blu	16

5 Manutenzione e pulizia 17

Protezione delle superfici di plastica 17

6 Soluzioni consigliate per i problemi 18

1 Il frigorifero



- | | | | |
|----|---|-----|--|
| A- | Scomparto frigo | | |
| B- | Scomparto freezer | | |
| C- | Multi Zona | | |
| 1- | Ripiani dello sportello dello scomparto frigo | 9- | Icematic |
| 2- | Ripiani regolabili scomparto frigo | 10- | Scatola del ghiaccio |
| 3- | Copertura del diffusore | 11- | Scomparto per conservazione cibi congelati |
| 4- | Lente con illuminazione | 12- | Coperchio scomparto burro e formaggio |
| 5- | Sezione centrale rotante | 13- | Scomparto Burro e Formaggio |
| 6- | Scomparto Chiller | 14- | Porta bottiglie |
| 7- | Scomparto frutta e verdura | 15- | Ripiani scomparto Multi Zona |
| 8- | Ripiano bottiglie | 16- | Scomparto Multi Zona |

i Le illustrazioni contenute in questa guida sono schematiche e potrebbero non corrispondere esattamente al prodotto in uso. Se le parti in oggetto non sono incluse nel prodotto acquistato, significa che sono da intendersi per altri modelli.

2 Importanti avvertenze per la sicurezza

Prendere in esame le seguenti informazioni. Se queste informazioni non vengono rispettate, possono verificarsi lesioni personali o danni materiali. Quindi tutte le garanzie e gli impegni sull'affidabilità diventerebbero privi di validità.

La vita d'uso dell'unità acquistata è 10 anni. Questo è il periodo in cui si conservano le parti di ricambio necessarie perché l'unità funzioni come descritto.

Uso previsto

- Questo apparecchio è destinato ad un uso domestico e applicazioni simili come
 - aree destinate a cucina in negozi, uffici e altri ambienti di lavoro;
 - fattorie e da clienti in alberghi, motel e altri ambienti di tipo residenziale;
 - ambienti tipo bed and breakfast;
 - catering e simili applicazioni non commerciali.
- Non deve essere usato all'esterno. L'uso esterno non è appropriato anche se coperto da un tetto.

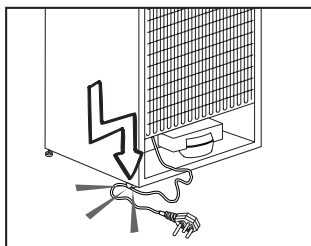
Sicurezza generale

- Quando si vuole smaltire/eliminare l'apparecchio, è consigliabile consultare il servizio autorizzato per apprendere le informazioni necessarie e conoscere gli enti autorizzati.
- Consultare il servizio di manutenzione autorizzato per tutti i problemi relativi al frigorifero. Non intervenire o far intervenire sul frigorifero senza informare il servizio manutenzione autorizzato.
- Non mangiare coni gelati ghiacciati o cubetti di ghiaccio o gelati appena presi dal freezer! (possono provocare bruciature da freddo alla bocca). (Ciò potrebbe causare sintomi di congelamento in bocca).

- Non mettere bottiglie e lattine di bibite liquide nello scomparto del freezer. altrimenti potrebbero esplodere.
- Non toccare con le mani gli alimenti gelati; possono incollarsi ad esse.
- Il vapore e i materiali per la pulizia vaporizzati non devono mai essere usati per pulire e scongelare il frigorifero. In questo caso il vapore può entrare in contatto con le parti elettriche e provocare corto circuito o scossa elettrica.
- Non usare mai parti del frigorifero come lo sportello come mezzo di supporto o movimento.
- Non utilizzare dispositivi elettrici all'interno del frigorifero.
- Non danneggiare il circuito di raffreddamento, in cui circola il refrigerante, con utensili perforanti o taglienti. Il refrigerante può scoppiare quando i canali del gas dell'evaporatore, le estensioni dei tubi o le pellicole superficiali vengono punti e possono provocare irritazioni alla pelle e lesioni agli occhi.
- Non bloccare o coprire la ventilazione dell'elettrodomestico.
- Le riparazioni agli apparecchi elettrici devono essere eseguite solo da personale qualificato. Le riparazioni eseguite da personale non competente possono provocare danni all'utilizzatore.
- In caso di guasto o durante lavori di riparazione e manutenzione, scollegare la fornitura d'energia principale spegnendo il fusibile principale o scollegando la presa dell'apparecchio.
- Non tirare dal cavo quando si estrae la spina.
- Posizionare le bibite più alte molto vicine e in verticale
- Non conservare sostanze esplosive come aerosol con gas propellenti infiammabili nell'apparecchio.

- Non utilizzare apparecchiature meccaniche o altri mezzi diversi da quelli consigliati dal produttore, per accelerare il processo di sbrinamento.
- Questo apparecchio non deve essere usato da persone (compresi bambini) con capacità fisiche, sensoriali o mentali ridotte, o mancanza di esperienza e conoscenza, a meno che non ricevano la supervisione o le istruzioni per l'uso dell'apparecchio da parte di una persona responsabile della loro sicurezza.
- Non utilizzare frigoriferi danneggiati. Consultare il servizio assistenza in caso di dubbi.
- La sicurezza elettrica del frigorifero è garantita unicamente se il sistema di messa a terra dell'apparecchiatura è conforme agli standard.
- L'esposizione del prodotto a pioggia, neve, sole e vento è pericolosa per la sicurezza elettrica.
- Contattare l'assistenza autorizzata quando ci sono danni ai cavi ecc., in modo che non creino pericoli per l'utente.
- non collegare mai il frigorifero alla presa a muro durante l'installazione, per evitare il rischio di morte o lesioni gravi.
- Questo frigorifero è destinato solo alla conservazione di alimenti. Non deve essere usato per altri fini.
- L'etichetta che descrive le specifiche tecniche del prodotto si trova a sinistra nella parte interna del frigorifero.
- Non collegare il frigorifero a sistemi di risparmio energetico poiché possono danneggiare l'apparecchio.
- Se il frigorifero presenta una luce blu, non guardarla usando dispositivi ottici.
- Se l'alimentazione è scollegata negli apparecchi controllati manualmente, attendere almeno 5 minuti prima di ricollegarla.

- Questo manuale deve essere trasferito al successivo proprietario del frigorifero, in caso di passaggio di proprietà.
- Quando si sposta l'apparecchio, assicurarsi di non danneggiare il cavo di alimentazione. Per evitare che il cavo di alimentazione si incendi, evitare di torcerlo. Non mettere oggetti pesanti sul cavo di alimentazione. Quando il frigorifero viene collegato alla rete, non toccare la presa di alimentazione con le mani bagnate.



- Non collegare il frigorifero alla rete se la presa elettrica è allentata.
- Non far schizzare l'acqua direttamente sulle parti esterne o interne del frigorifero per ragioni di sicurezza.
- Non spruzzare materiali infiammabili come gas propano, ecc. nelle vicinanze del frigorifero, a causa del rischio di incendio ed esplosioni.
- Non mettere oggetti pieni di acqua sopra al frigorifero poiché potrebbero provocare uno shock elettrico o un incendio.
- Non sovraccaricare il frigorifero con troppi alimenti. Gli alimenti in eccesso possono cadere quando viene aperto lo sportello, causando lesioni alla persona o danneggiando il frigorifero. Non mettere oggetti sopra al frigorifero poiché potrebbero cadere quando si apre o si chiude lo sportello dell'apparecchio.

- Materiali che richiedono determinate condizioni di temperatura come vaccini, farmaci termosensibili, materiali scientifici, ecc. non devono essere tenuti in frigorifero.
- Se il frigorifero non viene usato per molto tempo, deve essere scollegato dalla rete. Un problema nell'isolamento del cavo elettrico potrebbe provocare un incendio.
- La punta della spina elettrica deve essere regolarmente pulita altrimenti potrebbe provocare un incendio.
- La punta della spina deve essere pulita regolarmente con un panno asciutto; altrimenti può provocare un incendio.
- Il frigorifero potrebbe spostarsi quando i piedini regolabili non sono posizionati in modo fermo a terra. Usando i piedini regolabili si assicura che il frigorifero sia posizionato in modo stabile sul pavimento.
- Se il frigorifero ha una maniglia sullo sportello, non tirare l'apparecchio dalla maniglia quando lo si sposta, altrimenti la maniglia potrebbe staccarsi.
- Se è necessario utilizzare l'apparecchio vicino ad un altro frigorifero o un altro freezer, la distanza tra gli apparecchi deve essere almeno 8 cm. Altrimenti si può creare condensa sulle pareti laterali che sono l'una di fronte all'altra.
- La pressione principale dell'acqua non deve scendere sotto 1bar. La pressione principale dell'acqua non deve essere superiore a 8 bar.
- Usare solo acqua potabile.

Sicurezza bambini

- Se la porta ha un lucchetto, la chiave deve essere tenuta lontana dalla portata dei bambini.
- I bambini devono ricevere la supervisione necessaria ad assicurare che non giochino con l'apparecchio.

Avvertenza HCA

Se il prodotto è dotato di un sistema di raffreddamento che contiene R600a:

Questo gas è infiammabile. Pertanto, fare attenzione a non danneggiare il sistema di raffreddamento e le tubazioni durante l'uso e il trasporto. In caso di danni, tenere il prodotto lontano da potenziali fonti di incendio che possono provocarne l'incendio e ventilare la stanza in cui si trova l'unità.

Ignorare l'avvertenza se il prodotto è dotato di un sistema di raffreddamento che contiene R134a.

Si può vedere il gas usato nella produzione del dispositivo sull'etichetta informativa che si trova nella parte interna sinistra dello stesso.

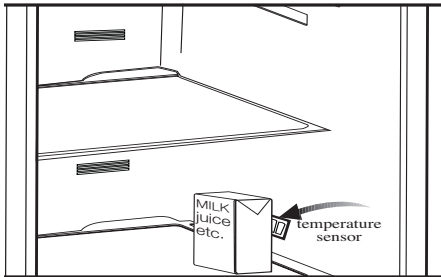
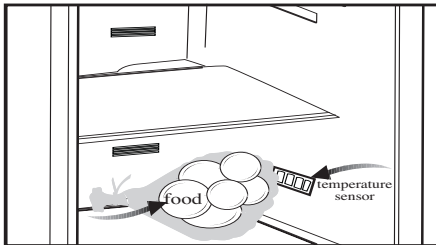
Non gettare mai il prodotto nel fuoco.

Cose da fare per risparmiare energia

- Non lasciare lo sportello del frigorifero aperto per lungo tempo.
- Non inserire cibo caldo o bevande calde nell'elettrodomestico.
- Non sovraccaricare il frigorifero impedendo la circolazione dell'aria al suo interno.
- Non installare il frigorifero sotto la luce diretta del sole o nelle vicinanze di forni, lavastoviglie o radiatori.
- Porre attenzione nel conservare il cibo in contenitori chiusi.
- La quantità massima di alimenti può essere posta nello scomparto freezer del frigorifero quando il ripiano o il cassetto dello scomparto freezer sono rimossi. Il valore di consumo energetico dichiarato per il frigorifero è stato stabilito con il ripiano o il cassetto dello scomparto freezer rimossi e con la quantità massima di alimenti caricata. Non c'è rischio nell'usare un ripiano o un cassetto secondo le forme e le dimensioni degli alimenti da congelare.

Consigli per lo scomparto alimenti freschi *FACOLTATIVO

- Non lasciare che gli alimenti entrino in contatto con il sensore della temperatura nello scomparto alimenti freschi. Per mantenere lo scomparto degli alimenti freschi alla temperatura ideale di conservazione, il sensore non deve essere bloccato dagli alimenti.
- Non mettere cibo caldo nell'elettrodomestico.



3 Installazione

⚠ Ricordarsi che il fabbricante non è responsabile della mancata osservanza delle informazioni fornite nel manuale di istruzioni.

Preparazione

- Il frigorifero dovrà essere installato ad almeno 30 cm lontano da fonti di calore, come forni, riscaldamento centrale e stufe, e ad almeno 5 cm da forni elettrici e non deve essere esposto alla luce diretta del sole
- La temperatura ambiente della stanza in cui viene installato il frigorifero deve essere almeno 10°C . Usare il frigorifero in ambienti con temperatura inferiore non è consigliabile per motivi di efficienza.
- Assicurarsi che l'interno del frigorifero sia ben pulito.
- In caso di installazione di due frigoriferi l'uno accanto all'altro, devono esservi almeno 2 cm di distanza tra di loro.
- Quando il frigorifero viene messo in funzione per la prima volta, osservare le seguenti istruzioni per le prime sei ore.
 - La porta non si deve aprire frequentemente.
 - Deve funzionare vuoto senza alimenti all'interno.
 - Non staccare il frigo dalla presa di corrente. Se si verifica un calo di potenza al di là del controllo dell'utente, vedere le avvertenze nella sezione "Soluzioni consigliate per i problemi".

- Conservare i materiali originali di imballaggio per futuri trasporti o spostamenti.

Punti da tenere in considerazione quando si trasporta nuovamente il frigorifero

1. Deve essere svuotato prima di ogni trasporto.
2. Scaffali, accessori, cestelli ecc. devono essere fissati nel frigorifero in modo sicuro per mezzo di nastro adesivo prima di essere di nuovo imballati.
3. L'imballaggio deve essere eseguito con nastro spesso e forte e le norme di trasporto devono essere scrupolosamente seguite.

Cose da non dimenticare...

Tutti i materiali riciclati sono una fonte indispensabile per la natura e per le nostre risorse naturali.

Se si vuole contribuire al riciclaggio di materiali da imballo, è necessario rivolgersi per ulteriori informazioni alle autorità locali per l'ambiente.

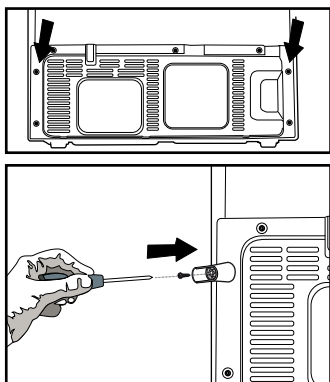
Cambiare la lampadina di illuminazione

Per cambiare la lampadina utilizzata per illuminare il frigorifero, rivolgersi al Servizio Assistenza Autorizzato.

Prima di utilizzare il frigorifero

Prima di avviare l'uso del frigorifero, controllare quanto segue:

1. L'interno del frigorifero è asciutto e l'aria può circolare liberamente sul retro?
2. Inserire i 2 distanziali di plastica sulla ventilazione posteriore come riportato nella figura seguente. Svitare quelle esistenti ed usare le viti in dotazione con il sacchetto dei distanziali. I distanziali di plastica garantiranno la distanza necessaria alla circolazione dell'aria tra il frigorifero e la parete.



3. Pulire la parte interna del frigorifero come consigliato nella sezione "Manutenzione e pulizia".
4. Collegare il frigorifero alla presa a muro. Quando la porta è aperta la luce interna è accesa.
5. Si sente un rumore quando il compressore si avvia. I liquidi e i gas sigillati nel sistema refrigerante possono produrre dei rumori, anche se il compressore non è in funzione; questo è abbastanza normale.
6. I bordi anteriori del frigorifero possono essere tiepidi. Questo è normale. Queste zone sono progettate per essere tiepide per evitare la condensazione.

Collegamento elettrico

Collegare il frigorifero ad una presa di messa a terra protetta da un fusibile della capacità appropriata.

Importante:

- Il collegamento deve essere conforme ai regolamenti nazionali.
 - Il cavo di alimentazione deve essere facilmente accessibile dopo l'installazione.
 - Tensione e protezione fusibile consentita sono specificate nella sezione "Specifiche tecniche".
 - La tensione specificata deve essere pari a quella di rete.
 - Le prolunghe e le prese multiple non devono essere usate per il collegamento.
- ⚠ Un cavo di alimentazione danneggiato deve essere sostituito da un elettricista qualificato.
- ⚠ L'apparecchio non deve essere usato finché non viene riparato! C'è pericolo di shock elettrico!

Smaltimento del materiale di imballaggio

I materiali di imballaggio potrebbero essere dannosi per i bambini. Tenere i materiali di imballaggio fuori dalla portata dei bambini o smaltirli classificandoli secondo le istruzioni sui rifiuti. Non smaltirli insieme ai normali rifiuti domestici.

L'imballaggio del frigorifero è prodotto con materiali riciclabili.

Smaltimento del vecchio frigorifero

Smaltimento del vecchio frigorifero senza danni per l'ambiente.

- Bisogna consultare il rivenditore autorizzato o il centro di raccolta rifiuti della propria città per quanto riguarda lo smaltimento del frigorifero.

Prima di smaltire il frigorifero, tagliare la spina elettrica e, se ci sono blocchi allo sportello, renderli inutilizzabili per proteggere i bambini da eventuali pericoli.

Posizionamento e installazione

Attenzione: non collegare mai il frigorifero alla presa a muro durante l'installazione, per evitare il rischio di morte o lesioni gravi.

Nel caso in cui la porta di ingresso della stanza in cui il frigorifero deve essere posizionato, non è abbastanza grande per il passaggio del frigorifero, chiamare il servizio autorizzato per rimuovere le porte del frigorifero e per farlo passare attraverso la porta.

1. Installare il frigorifero in un luogo che ne permetta il facile utilizzo.
2. Tenere il frigorifero lontano da fonti di calore, luoghi umidi e luce diretta del sole.
3. Intorno al frigorifero deve esserci ventilazione appropriata per poter avere operatività efficiente.

Se il frigorifero deve essere posizionato in un recesso della parete, è necessario porlo ad almeno 5 cm di distanza dal soffitto e a 5 cm dalla parete.

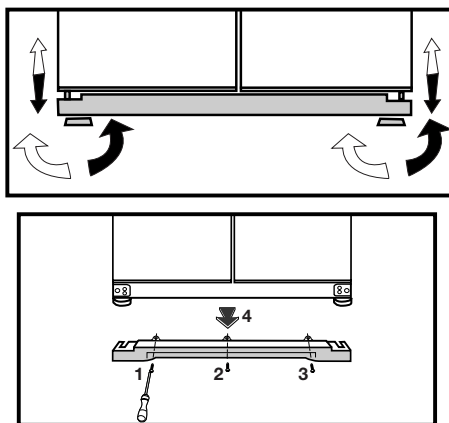
Se il pavimento è coperto con un tappeto, il prodotto deve essere sollevato di 2,5 cm dal pavimento.

4. Posizionare l'elettrodomestico solo su superfici uniformi e piane per evitare dondoli.
5. Non tenere il frigorifero in ambienti con temperature inferiori ai 10°C.

Regolazione bilanciamento pavimento

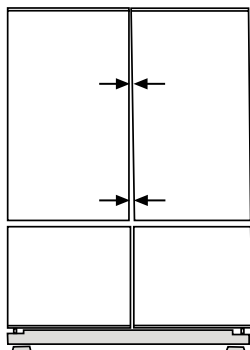
Se il frigorifero non è in equilibrio:

- 1- La copertura di ventilazione viene rimossa svitando le viti, come illustrato nella figura prima della procedura. È possibile bilanciare il frigorifero ruotando i piedini anteriori come illustrato in figura. L'angolo in cui i piedini sono più bassi quando girati in direzione della freccia nera e rialzati quando girati in direzione opposta. Un aiuto per sollevare leggermente il frigorifero faciliterà tale processo.
2. Quando il problema di equilibrio è risolto, installare nuovamente la copertura di ventilazione e fissare le viti.

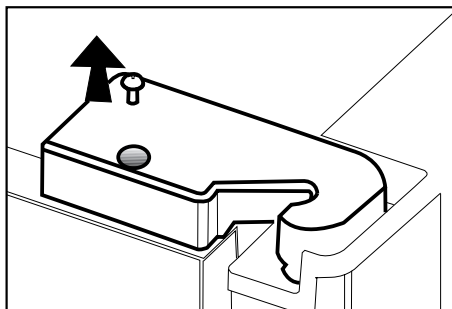


3. Rimuovere le viti avvitando la copertura di ventilazione inferiore usando un cacciavite Philips.

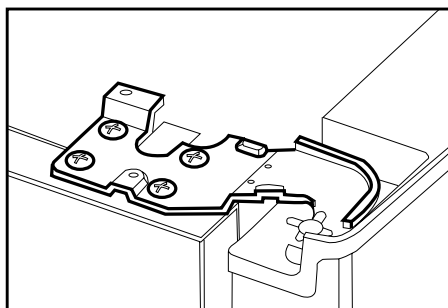
Regolazione della distanza tra la porta superiore



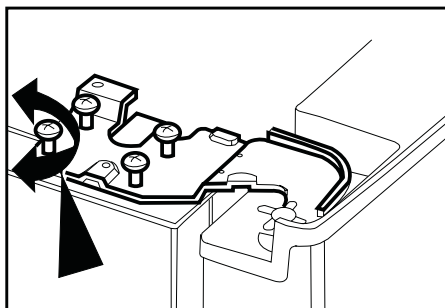
- Si può regolare la distanza tra le porte dello scomparto frigo come illustrato nelle figure.



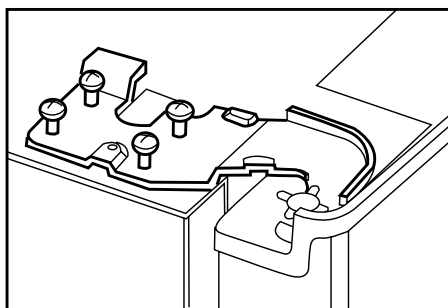
- Gli scaffali della porta devono essere vuoti durante la regolazione della sua altezza.



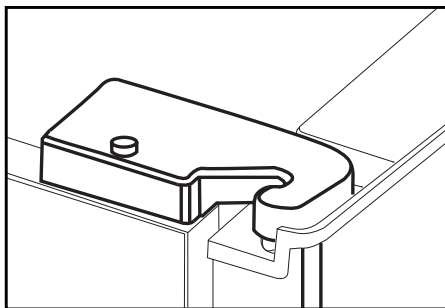
- Fissare la porta che è stata regolata stringendo le viti, senza modificare la posizione della porta stessa.



- Usando un cacciavite, rimuovere la vite della copertura del cardine superiore della porta che si desidera regolare.



- Riposizionare la copertura del cardine e fissare con la vite.

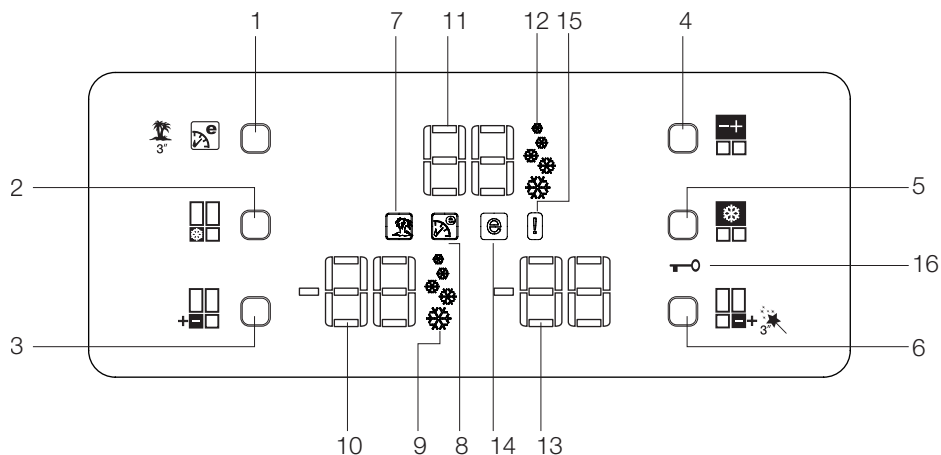


- Regolare la porta in modo appropriato, come desiderato, allentando le viti.

4 Utilizzo del frigorifero

Pannello dei comandi

Questo pannello con indicatori touch-control consente di impostare la temperatura senza aprire lo sportello del frigorifero. Basta toccare il tasto apposito con un dito per impostare la temperatura.



1. Tasto Eco Extra/Assenza
2. Tasto congelamento rapido
3. Tasto impostazione temperatura scomparto freezer
4. Indicatore impostazione temperatura scomparto frigo
5. Tasto raffreddamento veloce
6. Tasto impostazione temperatura scomparto conservazione Multi Zona
7. Indicatore funzione vacanza
8. Indicatore funzione Eco Extra
9. Indicatore funzione congelamento rapido
10. Indicatore temperatura scomparto freezer
11. Indicatore temperatura scomparto frigo
12. Indicatore funzione congelamento rapido
13. Indicatore temperatura scomparto conservazione Multi Zona
14. Indicatore modalità risparmio
15. Indicatore stato errore
16. Indicatore key lock

1. Tasto Eco Extra/Assenza

Premere brevemente questo tasto per attivare la funzione Eco Extra. Tenere premuto questo tasto per 3 secondi per attivare la funzione assenza. Premere di nuovo questo tasto per disattivare la funzione selezionata.

2. Tasto congelamento rapido

Premere brevemente questo tasto per attivare la funzione di congelamento rapido. Premere di nuovo questo tasto per disattivare la funzione selezionata.

3. Tasto impostazione temperatura scomparto freezer

Premere questo tasto per impostare la temperatura dello scomparto freezer rispettivamente su -18, -20, -22, -24, -18... Premere questo tasto per impostare la temperatura desiderata per lo scomparto freezer.

4. Indicatore impostazione temperatura scomparto frigo

Premere questo tasto per impostare la temperatura dello scomparto frigo rispettivamente su 8, 6, 4, 2, 8... Premere questo tasto per impostare la temperatura desiderata per lo scomparto frigo..

5. Tasto raffreddamento veloce

Premere brevemente questo tasto per attivare la funzione raffreddamento veloce. Premere di nuovo questo tasto per disattivare la funzione selezionata.

6. Tasto impostazione temperatura scomparto conservazione Multi Zona

Si può impostare lo scomparto conservazione Multi Zona come freezer o refrigerante. Tenere premuto questo tasto per 3 secondi per impostare lo scomparto conservazione Multi Zona come freezer o per raffreddamento. Questo scomparto è impostato come scomparto freezer in fabbrica.

Se lo scomparto conservazione Multi Zona è impostato come freezer, la temperatura dello scomparto conservazione Multi Zona cambia in -18, -20, -22, -24, -18... rispettivamente, ad ogni pressione del tasto. Se lo scomparto conservazione Multi Zona è impostato per raffreddamento, la temperatura dello scomparto conservazione Multi Zona cambia in 10, 8, 6, 4, 2, 0, -6,... rispettivamente, ad ogni pressione del tasto.

7. Indicatore funzione vacanza

Indica che la funzione vacanza è attiva. Se questa funzione è attiva, i- -i compare sull'indicatore dello scomparto frigo e non viene eseguito alcun raffreddamento nello scomparto stesso. Gli altri scomparti saranno raffreddati secondo la temperatura impostata. Premere il tasto apposito di nuovo per disattivare questa funzione.

8. Indicatore funzione Eco Extra

Indica che la funzione Eco Extra è attiva. Se questa funzione è attiva, il frigorifero automaticamente rileva i periodi di minore uso e sarà impostato il raffreddamento a risparmio energetico in tali periodi. L'indicatore risparmio sarà attivo con il raffreddamento a risparmio energetico.

Premere il tasto apposito di nuovo per disattivare questa funzione.

9. Indicatore funzione congelamento rapido

Indica che la funzione di congelamento rapido è attiva. Usare questa funzione quando si ripongono alimenti freschi nello scomparto freezer o quando si ha bisogno di ghiaccio. Quando questa funzione è attiva, il frigo funziona per sei ore senza interruzione.

Premere il tasto apposito di nuovo per disattivare questa funzione.

10. Indicatore temperatura scomparto freezer

Indica la temperatura impostata per lo scomparto freezer.

11. Indicatore temperatura scomparto frigo

Indica la temperatura impostata per lo scomparto frigo.

12. Indicatore funzione congelamento rapido

Indica che la funzione di congelamento rapido è attiva. Usare questa funzione quando si ripongono nello scomparto frigo alimenti freschi o quando si ha bisogno di raffreddare rapidamente gli alimenti. Quando questa funzione è attiva, il frigo funziona per due ore senza interruzione.

Premere il tasto apposito di nuovo per disattivare questa funzione.

13. Indicatore temperatura scomparto conservazione Multi Zona

Indica la temperatura impostata per lo scomparto conservazione Multi Zona.

14. Indicatore modalità risparmio

Indica che il frigorifero è in funzione in modalità a risparmio energetico.
Temperatura scomparto freezer

Questo indicatore sarà attivo se la funzione è impostata su -18 o se il raffreddamento a risparmio energetico è attivo grazie alla funzione Eco-Extra.

15. Indicatore stato errore

Se il frigo non raffredda in modo adeguato o se c'è un guasto ai sensori, questo indicatore sarà attivato. Quando questo indicatore è attivo, l'indicatore della temperatura dello scomparto freezer visualizza "E" e l'indicatore della temperatura dello scomparto frigo visualizza numeri come "1,2,3...". Questi numeri sull'indicatore forniscono informazioni sull'errore al personale dell'assistenza.

16. Indicatore key lock

Usare questa funzione se non si desidera cambiare l'impostazione della temperatura del frigo. Premere il tasto di raffreddamento veloce e il tasto di impostazione della temperatura dello scomparto conservazione Multi Zona contemporaneamente per 3 sec. per attivare questa funzione.

Premere i tasti appositi di nuovo per disattivare questa funzione.

Allarme di apertura sportello:

Se la porta dello scomparto frigo o dello scomparto conservazione Multi Zona resta aperta per almeno 1 minuto, si attiva l'allarme sonoro pertinente. Basta premere un pulsante sull'indicatore o chiudere lo sportello aperto per azzerare l'allarme.

Scomparto per le uova

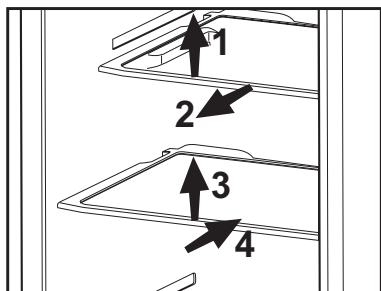
- È possibile installare il porta uova sul ripiano desiderato della porta o del corpo.
- Non porre mai il porta uova nello scomparto del freezer.

Ripiani estraibili

I ripiani estraibili possono essere tolti sollevandoli leggermente dalla parte anteriore e muovendoli avanti e indietro. Essi arrivano ad un punto di arresto quando vengono tirati in avanti consentendo di raggiungere gli alimenti che si trovano sul retro; quando vengono tirati leggermente verso l'alto al secondo punto di arresto, il ripiano viene rilasciato.

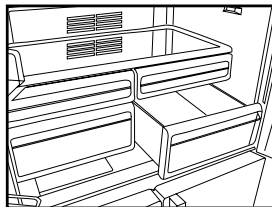
Il ripiano deve essere tenuto stretto dal basso per evitare che si capovolga. Il ripiano è posto sui binari ai lati del corpo del frigorifero portandolo ad un livello inferiore o superiore.

Il ripiano deve essere spinto all'indietro per sistemarsi completamente.



Scomparto frutta e verdura

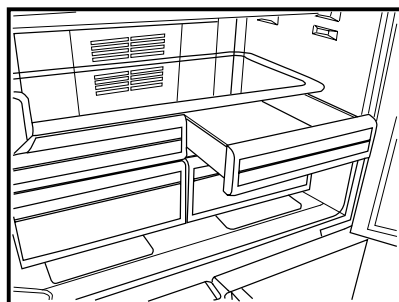
Lo scomparto frutta e verdura del frigo è progettato in modo speciale per tenere la verdura fresca senza che perda la sua umidità. A questo scopo, si verifica una circolazione di aria fredda intorno allo scomparto frutta e verdura in generale.



Scomparto Chiller

Gli scomparti Chiller consentono di precongelerare gli alimenti in modo che siano pronti per essere congelati. È inoltre possibile usare questi scomparti per conservare il cibo a una temperatura leggermente inferiore a quella dello scomparto frigo.

È possibile aumentare il volume interno del frigo estraendo lo scomparto Chiller desiderato. Per farlo, tirare lo scomparto verso di sé; lo scomparto pende verso il blocco e si ferma. Questo scomparto sarà rilasciato quando lo si solleva di circa 1 cm e lo si tira verso di sé.



Sezione centrale rotante

La sezione centrale rotante ha lo scopo di impedire all'aria fredda interna al frigorifero di uscire fuori. La sezione centrale rotante aiuta l'ermeticità poiché le guarnizioni della porta premono sulla superficie della sezione centrale rotante quando le porte dello scomparto frigo sono chiuse. Un altro motivo della presenza della sezione centrale rotante è che essa aumenta il volume netto dello scomparto frigo. Le sezioni centrali standard occupano volume non utilizzabile nel frigorifero.

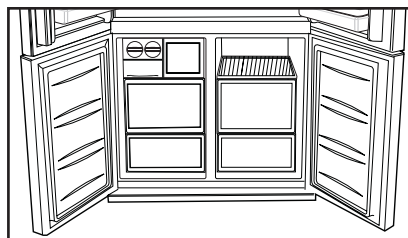
La sezione centrale rotante deve essere chiusa quando la porta sinistra dello scomparto frigo è aperta. Non deve essere aperta manualmente, ruota mediante una parte in plastica montata nella struttura.

Scomparto conservazione Multi Zona

Lo scomparto conservazione Multi Zona del frigorifero può essere usato nella modalità desiderata regolandolo sulle temperature frigo (2/4/6/8 °C) o freezer (-18/-20/-22/-24). Si può mantenere lo scomparto alla temperatura desiderata con il pulsante di impostazione della temperatura per lo scomparto conservazione Multi Zona. La temperatura dello scomparto conservazione Multi Zona può essere impostata a 0 e 10 gradi in aggiunta alle temperature dello scomparto frigo e a -6 in aggiunta alle temperature dello scomparto freezer.

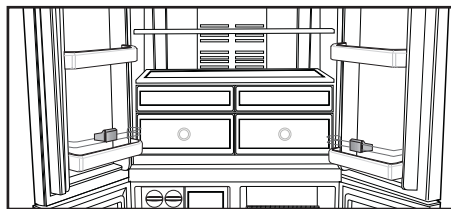
0 gradi si usa per conservare i prodotti di gastronomia più a lungo e -6 si usa per conservare la carne fino a 2 settimane in condizioni che rendono il taglio facile.

i La funzione di passaggio a scomparto frigo o freezer è garantita da un elemento di raffreddamento che si trova nella sezione chiusa (scomparto compressore) dietro il frigorifero. Durante il funzionamento di questo elemento, il suono è simile al rumore dei secondi di un orologio analogico. Si tratta di una cosa normale e non di un guasto.



Spia blu

I cibi immagazzinati nei cestelli che sono segnati da una spia blu continuano la loro fotosintesi grazie all'effetto delle onde della luce blu e quindi conservano la freschezza e aumentano il contenuto di vitamine.



5 Manutenzione e pulizia

- ⚠ Non usare mai gasolio, benzene o sostanze simili per scopi di pulizia.
- ⚠ È consigliato scollegare l'apparecchio prima della pulizia.
- ❗ Non utilizzare mai attrezzi appuntiti o sostanze abrasive, saponi, detersivi per la casa o cere per la pulizia.
- ❗ Utilizzare acqua tiepida per pulire l'alloggiamento del frigorifero e asciugarlo.
- ❗ Utilizzare un panno umido intriso di una soluzione composta da un cucchiaino di bicarbonato di sodio e da circa mezzo litro di acqua e pulire l'interno, quindi asciugare.
- ⚠ Assicurarsi che l'acqua non penetri nel quadro di comando della temperatura.
- ⚠ Se il frigorifero non viene usato per un lungo periodo di tempo, scollegare il cavo di alimentazione, rimuovere tutti gli alimenti dal suo interno, pulirlo e lasciare lo sportello aperto.
- ❗ Controllare le guarnizioni della porta periodicamente per garantire che siano pulite e che non siano presenti particelle di cibo.
- ❗ Per rimuovere il vassoio dello sportello, rimuovere tutto il contenuto e spingere semplicemente il vassoio verso l'alto.

Protezione delle superfici di plastica

- ❗ Non inserire oli liquidi o piatti cotti in olio nel frigorifero se in contenitori non sigillati poiché questi possono danneggiare le superfici in plastica del frigorifero. In caso di fuoriuscita di olio sulle superfici in plastica, pulire e asciugare le parti della superficie con acqua tiepida.

6 Soluzioni consigliate per i problemi

Prima di chiamare il servizio assistenza, rivedere la lista precedente. Si risparmierà tempo e denaro. Questa lista comprende frequenti reclami che non derivano da difetti di lavorazione o dai materiali utilizzati. Alcune delle funzioni descritte qui potrebbero non esistere nel proprio prodotto.

Il frigorifero non funziona
<ul style="list-style-type: none">• Il frigorifero è correttamente collegato alla corrente? Inserire la spina nella presa a muro.• Il fusibile della presa a cui è collegato il frigorifero è funzionante o il fusibile principale è saltato? Controllare il fusibile.
Condensa sullo scomparto della parete del frigorifero. (MULTI ZONA, CONTROLLO RAFFREDDAMENTO e ZONA FLEXI)
<ul style="list-style-type: none">• Ambiente in condizioni molto fredde. Apertura e chiusura frequente della porta• Ambiente in condizioni molto umide Conservazione del cibo contenente liquidi in contenitori aperti. Porta lasciata aperta.• Portare il termostato a temperatura inferiore.• Diminuire il tempo di apertura della porta o aprirla meno frequentemente.• Coprire il cibo contenuto in contenitori aperti con materiale adatto.• Asciugare la condensa con un panno asciutto e controllare se continua.
Il compressore non funziona
<ul style="list-style-type: none">• La protezione termica del compressore è inattiva in caso di mancanza di corrente o di mancato collegamento alla presa, se il sistema refrigerante non è ancora stato regolato.• Il frigorifero comincerà a funzionare dopo circa 6 minuti. . Chiamare il servizio assistenza se il frigorifero non inizia a funzionare al termine di questo periodo.• Il frigorifero è nel ciclo di sbrinamento. Si tratta di una cosa per un frigorifero con sbrinamento completamente automatico. Il ciclo di sbrinamento si verifica periodicamente.• L'elettrodomestico non è collegato alla presa. Accertarsi che la spina sia inserita in modo corretto nella presa.• Le regolazioni di temperatura sono eseguite correttamente? Vi è una mancanza di alimentazione. Chiamare il fornitore di energia.

Il freezer funziona frequentemente o per lunghi periodi.

- Il nuovo frigorifero è più grande del precedente. Ciò è abbastanza normale. I grandi frigoriferi lavorano per lunghi periodi di tempo.
- La temperatura ambiente può essere alta. Questo è abbastanza normale.
- Il frigorifero è stato collegato alla presa di recente o è stato riempito di cibo. Lo sbrinamento completo del frigorifero può durare un paio d'ore.
- Grandi quantità di cibo caldo sono state recentemente inserite. I cibi caldi devono essere raffreddati fino alla temperatura ambiente prima di essere riposti nel frigorifero.
- La porta del freezer rimane aperta per un lungo periodo o le porte sono state aperte di frequente. L'aria tiepida entrata nel frigorifero ne provoca il funzionamento per un periodo più lungo. Aprire le porte meno frequentemente.
- La porta del frigorifero o del freezer è stata lasciata aperta. La/e porta/e non si chiude/chiudono.
- Il frigo è regolato a temperatura molto bassa. Regolare la temperatura del frigorifero ad un livello più alto e attendere fino a che la stessa sia acquisita.
- La chiusura della porta del frigorifero o del freezer può essere usurata, rotta o non inserita in modo appropriato. Pulire o sostituire la guarnizione. Guarnizioni rotte o danneggiate provocano il funzionamento del frigo per periodi più lunghi per mantenere la temperatura corrente.

La temperatura ambiente è molto bassa mentre la temperatura del frigorifero è sufficiente.

- Il frigo è regolato a temperatura molto bassa. Regolare la temperatura ad un livello più alto e controllare.

La temperatura ambiente è molto bassa mentre la temperatura del freezer è sufficiente.

- Il frigorifero è regolato a temperatura molto bassa. Regolare la temperatura ad un livello più alto e controllare.

Il cibo che è nei cassetti dello scomparto frigo si sta congelando.

- Il frigorifero è regolato a temperatura molto bassa. Regolare la temperatura ad un livello più alto e controllare.

La temperatura del frigo o freezer è molto alta.

- Il frigorifero è regolato a temperatura molto alta. La regolazione del frigorifero provoca effetti sulla temperatura del freezer. Cambiare la temperatura di frigo o freezer fino a che essa non raggiunge un livello sufficiente.
- Porta lasciata aperta. Chiudere completamente la porta.
- Grandi quantità di cibo caldo sono state recentemente inserite. Attendere fino a che il frigorifero o freezer non raggiungono la temperatura desiderata.
- Il frigorifero è stato collegato alla presa di recente. Lo sbrinamento completo del frigorifero ha bisogno di tempo a causa delle dimensioni dello stesso.

Dal frigorifero si sente un rumore simile al suono dei secondi di un orologio analogico.

- Questo rumore deriva dalla elettrovalvola del frigorifero. L'elettrovalvola funziona allo scopo di assicurare il passaggio del refrigerante attraverso lo scomparto, che può essere regolato per ottenere temperature da raffreddamento o congelamento ed eseguire le funzioni di raffreddamento. Si tratta di una cosa normale e non di un guasto.

Il rumore aumenta quando il frigorifero sta lavorando.
<ul style="list-style-type: none"> Le caratteristiche di performance operativa del frigorifero possono cambiare secondo i cambiamenti della temperatura ambiente. Si tratta di una cosa normale e non di un guasto.
Vibrazioni o rumore.
<ul style="list-style-type: none"> Il pavimento non è orizzontale o è debole. Il frigorifero ondeggia quando si sposta lentamente. Accertarsi che il pavimento sia in piano, forte e in grado di sopportare il frigorifero. Il rumore potrebbe essere provocato dagli oggetti nel frigorifero. Tali oggetti devono essere rimossi dalla parte alta del frigorifero.
Ci sono rumori come gocciolamenti o spruzzo di liquidi.
<ul style="list-style-type: none"> Il flusso di liquido e gas si verifica secondo i principi operativi del frigorifero. Si tratta di una cosa normale e non di un guasto.
C'è un rumore come vento che soffia.
<ul style="list-style-type: none"> Gli attivatori di aria (ventole) si usano per consentire al frigorifero di raffreddare in modo efficiente. Si tratta di una cosa normale e non di un guasto.
Condensa sulla parete interna del frigorifero.
<ul style="list-style-type: none"> Il clima caldo/umido aumenta il ghiaccio e la condensa. Si tratta di una cosa normale e non di un guasto. Le porte sono aperte. Verificare che gli sportelli siano completamente chiusi. Le porte sono state aperte per un lungo periodo, o le porte sono state aperte di frequente. Aprire le porte meno frequentemente.
Umidità al di fuori del frigorifero o tra le porte.
<ul style="list-style-type: none"> Il clima è umido. Ciò è abbastanza normale in climi umidi. Al diminuire dell'umidità, la condensa scompare.
Odore cattivo dentro al frigorifero.
<ul style="list-style-type: none"> L'interno del frigorifero deve essere pulito. Pulire l'interno con una spugna, acqua tiepida o carbonata. Alcuni contenitori possono provocare odori. Usare contenitori diversi o marche diverse.
La/e porta/e non si chiude/chiodono.
<ul style="list-style-type: none"> Il cibo impedisce la chiusura della porta. Sostituire le confezioni che ostruiscono la porta. Probabilmente il frigo non è completamente verticale sul pavimento e può ondeggiare quando viene spinto leggermente. Regolare le viti di elevazione. Il pavimento non è orizzontale o forte. Accertarsi che il pavimento sia in piano, forte e in grado di sopportare il frigorifero.
Gli scomparti frutta e verdura sono bloccati.
<ul style="list-style-type: none"> Il cibo potrebbe toccare il tetto del cassetto. Risistemare il cibo nel cassetto.

Lea este manual antes de utilizar el frigorífico.

Estimado cliente:

Esperamos que este producto, que ha sido fabricado en plantas dotadas de la más avanzada tecnología y sometido a los más estrictos procedimientos de control de calidad, le preste un servicio eficaz.




Para ello, le recomendamos que lea atentamente el presente manual antes de utilizar el producto, y que lo tenga a mano para futuras consultas.

Este manual

- Le ayudará a usar el electrodoméstico de manera rápida y segura.
- Lea el manual antes de instalar y poner en funcionamiento el producto.
- Siga las instrucciones, en particular las relacionadas con la seguridad.
- Conserve el manual en un sitio de fácil acceso, ya que podría necesitarlo en el futuro.
- Además, lea también otros documentos suministrados junto con el producto. Tenga en cuenta que este manual también podría ser válido para otros modelos.

Símbolos y sus descripciones

El presente manual de instrucciones emplea los siguientes símbolos:

-  Información importante o consejos útiles sobre el funcionamiento.
-  Advertencia sobre situaciones peligrosas para la vida y la propiedad.
-  Advertencia acerca de la tensión eléctrica.



Este producto incorpora el símbolo de recogida selectiva de residuos de equipos eléctricos y electrónicos.

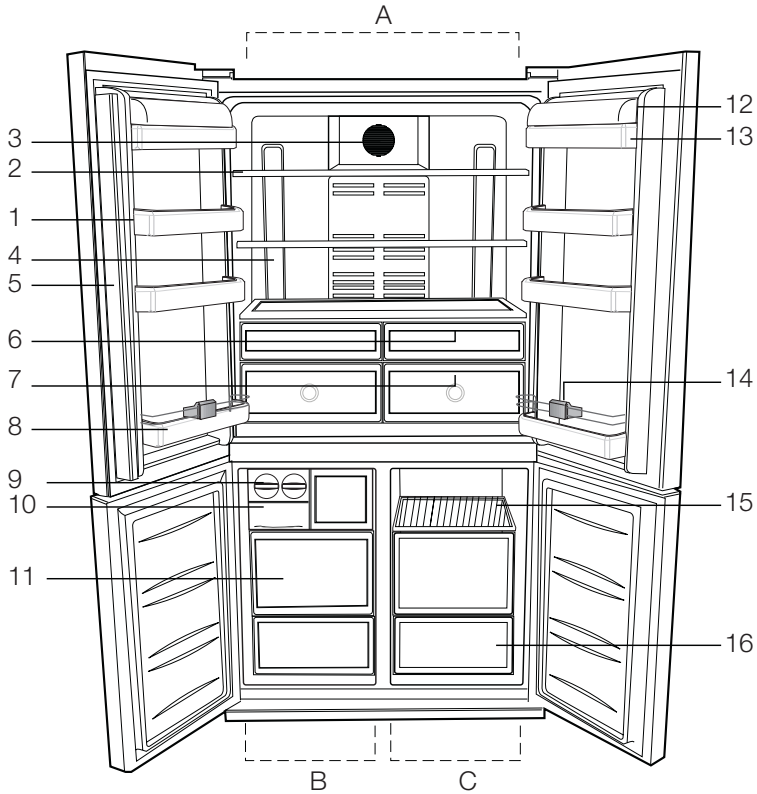
Elo significa que este producto debe ser manipulado teniendo en cuenta la Directiva Europea 2002/96/EC, en orden de ser reciclado o recuperado para minimizar su impacto en el medio ambiente. Para mas información rogamos contacte con las autoridades locales o regionales más próximas a su domicilio.

Los productos electrónicos no incluidos en el proceso de recogida selectiva son potencialmente peligrosos para el medio ambiente y la salud humana debido a la presencia de ciertas sustancias.

ÍNDICE

1 Su frigorífico	3	4 Uso del frigorífico	12
2 Avisos importantes sobre la seguridad	4	Panel indicador.....	12
Finalidad prevista.....	4	Alarma de puerta abierta:	14
Productos equipados con dispensador de agua:	6	Estantes deslizantes	15
Seguridad infantil.....	6	Huevera.....	15
Advertencia sobre la seguridad de la salud	6	Cajón de frutas y verduras	15
Consejos para el ahorro de energía ...	6	Compartimento de enfriamiento.....	15
Recomendaciones para el compartimento de alimentos frescos .	7	Compartimento de almacenamiento multizona.....	16
3 Instalación	8	Sección central giratoria	16
Preparación.....	8	Luz azul.....	16
Cuestiones a considerar a la hora de transportar el frigorífico	8	5 Mantenimiento y limpieza	17
Cambio de la bombilla de iluminación	8	Protección de las superficies de plástico	17
Antes de usar el frigorífico.....	9	6 Sugerencias para la solución de problemas	18
Conexiones eléctricas.....	9		
Eliminación del embalaje.....	9		
Eliminación de su viejo frigorífico.....	9		
Colocación e instalación	10		
Ajuste del equilibrio.....	10		
Ajuste de la separación entre la puerta superior	11		

1 Su frigorífico



- A- Compartimento frigorífico
- B- Compartimento congelador
- C- Multizona

- | | | | |
|----|--|-----|--|
| 1- | Estantes de la puerta del compartimento refrigerador | 9- | Icematic |
| 2- | Estantes interiores ajustables del compartimento frigorífico | 10- | Cubitera |
| 3- | Cubierta del difusor | 11- | Compartimentos de almacenamiento de alimentos congelados |
| 4- | Lente de iluminación | 12- | Tapa del estante para mantequilla y quesos |
| 5- | Sección central giratoria | 13- | Estante para mantequilla y quesos |
| 6- | Compartimento de enfriamiento | 14- | Botellero |
| 7- | Cajón de frutas y verduras | 15- | Estantes del compartimento multizona |
| 8- | Estante para botellas | 16- | Compartimento multizona |

i Las ilustraciones incluidas en el presente manual de instrucciones son esquemáticas y puede que no se adecúen a su producto con exactitud. Si alguno de los elementos reflejados no se corresponde con el producto que usted ha adquirido, entonces será válido para otros modelos.

2 Avisos importantes sobre la seguridad

Lea con atención la siguiente información. No tener en cuenta dicha información podría acarrear lesiones o daños materiales. En tal caso, las garantías y los compromisos de fiabilidad quedarían anulados.

La vida útil de la unidad adquirida es de 10 años. Éste es el periodo durante el cual se garantiza la disponibilidad de las piezas de repuesto para la unidad.

Finalidad prevista

Este aparato está diseñado para usarse en los siguientes entornos:

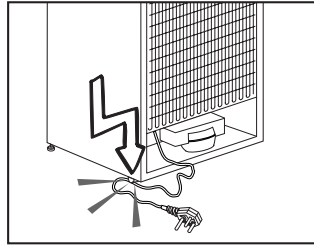
- interiores y entornos cerrados tales como domicilios particulares;
 - entornos cerrados de trabajo tales como almacenes u oficinas;
 - zonas de servicio cerradas tales como casas rurales, hoteles o pensiones.
- Este aparato no se debe usar al aire libre.

Seguridad general

- Cuando desee deshacerse del aparato, le recomendamos que solicite a su servicio técnico autorizado la información necesaria a este respecto, así como la relación de entidades locales a las que puede dirigirse.
- En caso de dudas o problemas, diríjase a su servicio técnico autorizado. No intente reparar el frigorífico sin consultar con el servicio técnico, ni deje que nadie lo haga.
- Para aparatos equipados con un compartimento congelador: no consuma los helados o cubitos de hielo inmediatamente después de sacarlos del compartimento congelador, ya que podría sufrir daños en su boca a causa del frío.
- Para aparatos equipados con un compartimento congelador: no deposite bebidas embotelladas o enlatadas en el compartimento congelador, ya que podrían estallar.
- No toque con la mano los alimentos congelados, ya que podrían adherirse a ella.
- Desenchufe su frigorífico antes de proceder a su limpieza o deshielo.
- No utilice nunca materiales de limpieza que usen vapor para limpiar o descongelar el frigorífico. El vapor podría entrar en contacto con los elementos eléctricos y causar cortocircuitos o descargas eléctricas.
- No utilice nunca elementos del frigorífico tales como la puerta como medio de sujeción o como escalón.
- No utilice aparatos eléctricos en el interior del frigorífico.
- Evite dañar el circuito del refrigerante con herramientas cortantes o de perforación. El refrigerante que puede liberarse si se perforan los canales de gas del evaporador, los conductos o los recubrimientos de las superficies causa irritaciones en la piel y lesiones en los ojos.
- No cubra ni bloquee los orificios de ventilación de su frigorífico con ningún material.
- Deje la reparación de los aparatos eléctricos únicamente en manos de personal autorizado. Las reparaciones realizadas por personas incompetentes generan riesgos para el usuario.
- En caso de fallo o cuando vaya a realizar cualquier operación de reparación o mantenimiento, desconecte el frigorífico de la corriente apagando el fusible correspondiente o bien desenchufando el aparato.
- No desenchufe el aparato de la toma de corriente tirando del cable.
- Coloque las bebidas de mayor graduación alcohólica juntas y en posición vertical.
- No almacene en el frigorífico aerosoles que contengan sustancias inflamables o explosivas.

- No utilice dispositivos mecánicos u otros medios para acelerar el proceso de deshielo distintos de los recomendados por el fabricante.
- Este aparato no debe ser utilizado por niños o por personas con sus facultades físicas, sensoriales o mentales reducidas o bien que carezcan de la experiencia y los conocimientos necesarios, a menos que lo hagan bajo la supervisión de personas responsables de su seguridad o bien tras haber recibido instrucciones de uso por parte de dichas personas.
- No utilice un frigorífico que haya sufrido daños. Consulte con el servicio de atención al cliente en caso de duda.
- La seguridad eléctrica de su frigorífico sólo estará garantizada si el sistema de toma de tierra de su domicilio se ajusta a los estándares.
- Desde el punto de vista de la seguridad eléctrica, es peligroso exponer el aparato a la lluvia, la nieve o el viento.
- Póngase en contacto con el servicio técnico autorizado en caso de que el cable de alimentación principal se dañe, para evitar cualquier peligro.
- Nunca enchufe el frigorífico en la toma de corriente durante su instalación. Existe peligro de lesiones graves e incluso de muerte.
- Este frigorífico está únicamente diseñado para almacenar alimentos. No debe utilizarse para ningún otro propósito.
- La etiqueta que contiene los datos técnicos del frigorífico se encuentra en la parte interior izquierda del mismo.
- Jamás conecte el frigorífico a sistemas de ahorro de electricidad, ya que podría dañarlo.
- Si el frigorífico está equipado con una luz azul, no la mire a través de dispositivos ópticos.
- En los frigoríficos de control manual, si se produce un corte del fluido eléctrico espere al menos 5 minutos antes de volver a ponerlo en marcha.

- Cuando entregue este aparato a un nuevo propietario, asegúrese de entregar también este manual de instrucciones.
- Tenga cuidado de no dañar el cable de alimentación al transportar el frigorífico. Doblar el cable podría causar un incendio. Nunca deposite objetos pesados encima del cable de alimentación. No toque el enchufe con las manos mojadas para conectar el aparato.



- No enchufe el frigorífico si el enchufe no encaja con firmeza en la toma de corriente de la pared.
- Por razones de seguridad, no pulverice agua directamente en la partes interiores o exteriores de este aparato.
- No rocíe cerca del frigorífico sustancias que contengan gases inflamables tales como gas propano para evitar riesgos de incendio y explosiones.
- Nunca coloque recipientes con agua sobre el frigorífico, ya que podría provocar una descarga eléctrica o un incendio.
- No deposite cantidades excesivas de alimentos en el frigorífico. Si lo hace, al abrir la puerta del frigorífico los alimentos podrían caerse y provocar lesiones personales o dañar el frigorífico. Nunca coloque objetos sobre el frigorífico, ya que podrían caer al abrir o cerrar la puerta.
- No guarde en el frigorífico productos que necesiten un control preciso de la temperatura tales como vacunas, medicamentos sensibles al calor, materiales científicos, etc.
- Desenchufe el frigorífico si no lo va a utilizar durante un periodo prolongado

de tiempo. Un problema en el cable de alimentación podría causar un incendio.

- Limpie regularmente la punta del enchufe, ya que de lo contrario puede provocar un incendio.
- Limpie regularmente la punta del enchufe con un paño seco; de lo contrario podría provocarse un incendio.
- El frigorífico podría moverse si los pies no están adecuadamente asentados en el suelo. Fijar adecuadamente los pies del frigorífico en el suelo puede ayudar a evitar que se mueva.
- Cuando transporte el frigorífico, no lo aferre del asa de la puerta. De lo contrario, podría romperla.
- Cuando tenga que colocar el frigorífico cerca de otro frigorífico o congelador, deberá dejar un espacio entre ambos aparatos de 8 cm como mínimo. De lo contrario, podría formarse humedad en las paredes adyacentes.

Productos equipados con dispensador de agua:

La presión de la red de suministro de agua debe ser de un mínimo de 1 bar. La presión de la red de suministro de agua debe ser de 8 bares como máximo.

- Use agua potable únicamente.

Seguridad infantil

- Si la puerta tiene cerradura, mantenga la llave fuera del alcance de los niños.
- Vigile a los niños para evitar que manipulen el aparato.

Advertencia sobre la seguridad de la salud

Si el sistema de refrigeración de su aparato contiene R600a:

Este gas es inflamable. Por lo tanto, procure no dañar el sistema de enfriamiento ni sus conductos durante el uso o el transporte del aparato. En caso de daños, mantenga el aparato alejado

de fuentes potenciales de ignición que puedan provocar que éste sufra un incendio, y ventile la estancia en la que se encuentre el aparato.

Ignore esta advertencia si el sistema de refrigeración de su aparato contiene R134a.

El tipo de gas utilizado en el aparato se indica en la placa de datos ubicada en la pared interior izquierda del frigorífico.

Jamás arroje el aparato al fuego.

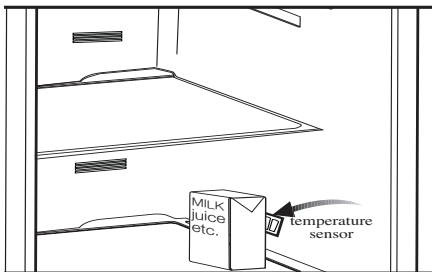
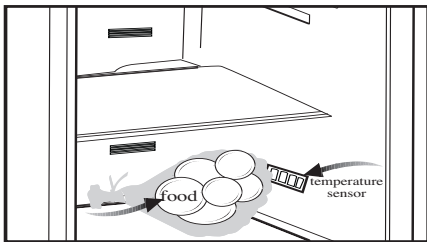
Consejos para el ahorro de energía

- No deje las puertas del frigorífico abiertas durante periodos largos de tiempo.
- No introduzca alimentos o bebidas calientes en el frigorífico.
- No sobrecargue el frigorífico, ya que entorpecería la circulación del aire en su interior.
- No instale el frigorífico de forma que quede expuesto a la luz solar directa o cerca de aparatos que irradian calor tales como hornos, lavavajillas o radiadores.
- Procure depositar los alimentos en recipientes cerrados.
- Productos equipados con compartimento congelador: puede disponer del máximo volumen para el depósito de alimentos retirando el estante o el cajón del congelador. El consumo energético que se indica para su frigorífico se ha calculado retirando el estante o el cajón del congelador y en condiciones de máxima carga. No existe ningún riesgo en la utilización de un estante o cajón según las formas o tamaños de los alimentos que se van a congelar.
- Descongele los alimentos congelados en el compartimento frigorífico; ahorrará energía y preservará la calidad de los alimentos.

Recomendaciones para el compartimento de alimentos frescos

* OPCIONAL

- No deje que los alimentos entren en contacto con el sensor de temperatura del compartimento de alimentos frescos. Para mantener el compartimento de alimentos frescos a una temperatura ideal para el almacenamiento, es necesario que el sensor no quede obstruido por los alimentos.
- No deposite comida caliente en el frigorífico.



3 Instalación

⚠ Recuerde que el fabricante declina toda responsabilidad en caso de incumplimiento de las instrucciones de este manual.

Preparación

- El frigorífico debe instalarse dejando una separación de por lo menos 30 cm respecto de fuentes de calor tales como quemadores, hornos, calefacciones o estufas y de por lo menos 5 cm respecto de hornos eléctricos, evitando asimismo su exposición directa a la luz solar.
- La temperatura ambiente de la estancia en donde instale el frigorífico debe ser de por lo menos 10 °C. A temperaturas inferiores, el frigorífico puede ver reducida su eficacia.
- Verifique que el interior del frigorífico se limpie meticulosamente.
- En caso de que vaya a instalar dos frigoríficos uno al lado del otro, debe dejar una separación de por lo menos 2 cm entre ellos.
- Al utilizar el frigorífico por primera vez, siga las siguientes instrucciones referentes a las primeras seis horas.
 - No abra con frecuencia la puerta.
 - No deposite alimentos en el interior.
 - No desenchufe el frigorífico. En caso de corte del suministro eléctrico ajeno a su voluntad, consulte las advertencias de la sección "Sugerencias para la solución de problemas".

- Guarde el embalaje original para futuros traslados.

Cuestiones a considerar a la hora de transportar el frigorífico

1. El frigorífico debe estar vacío y limpio antes de proceder a su transporte.
2. Los estantes, accesorios, el cajón de frutas y verduras, etc., deben sujetarse con cinta adhesiva antes de embalar el frigorífico para evitar que se muevan.
3. Encinte el frigorífico una vez embalado con cinta gruesa y fíjelo con cuerdas resistentes. Siga las reglas de transporte que encontrará impresas en el propio embalaje.

No olvide que:

El reciclaje de materiales es un asunto de vital importancia para la naturaleza y para los recursos del país.

Si desea contribuir al reciclaje de los materiales de embalaje, solicite más información a los responsables medioambientales de su zona o a las autoridades locales.

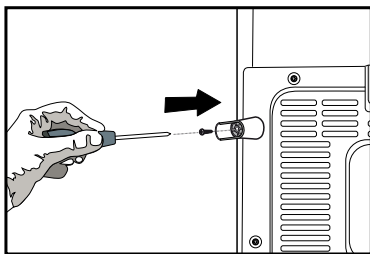
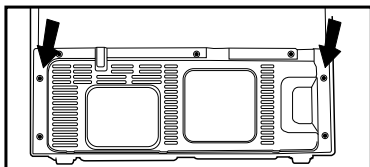
Cambio de la bombilla de iluminación

Para cambiar la bombilla utilizada para iluminar el frigorífico, póngase en contacto con el servicio técnico autorizado.

Antes de usar el frigorífico

Antes de empezar a usar el frigorífico, verifique lo siguiente:

1. El interior del frigorífico está seco y el aire puede circular con libertad por su parte posterior.
2. Introduzca 2 cuñas plásticas en la ventilación trasera, como se muestra en la figura siguiente. Desenrosque las cuñas presentes y utilice los tornillos que encontrará en la bolsa de las cuñas. Las cuñas de plástico proporcionarán la distancia requerida entre su frigorífico y la pared para una correcta circulación del aire.



3. Limpie el interior del frigorífico de la forma recomendada en la sección "Mantenimiento y Limpieza".
4. Enchufe el frigorífico a la toma de corriente. Cuando se abre la puerta, la correspondiente luz interior se enciende.
5. Se oye un ruido cada vez que el compresor se pone en funcionamiento. El líquido y los gases contenidos en el sistema de refrigeración pueden también generar ruidos, incluso aunque el compresor no esté funcionando, lo cual es normal.
6. Es posible que las aristas delanteras del aparato se noten calientes al tacto, cosa que es perfectamente normal. Estas zonas deben permanecer calientes para evitar la condensación.

Conexiones eléctricas

Conecte el frigorífico a una toma de corriente provista de conexión a tierra y protegida por un fusible de la capacidad adecuada.

Importante:

- La conexión debe cumplir con las normativas nacionales.
 - El enchufe de alimentación debe ser fácilmente accesible tras la instalación.
 - La tensión y la protección de fusible admisibles se indican en la sección "Especificaciones técnicas".
 - La tensión especificada debe corresponder a la tensión de la red eléctrica.
 - No use cables de extensión ni enchufes múltiples para conectar la unidad.
- ⚠ En caso de que el cable de alimentación esté dañado, solicite su sustitución a un electricista cualificado.
- ⚠ No ponga en funcionamiento el aparato hasta que haya sido reparado, ya que existe riesgo de descarga eléctrica.

Eliminación del embalaje

Los materiales de empaque pueden ser peligrosos para los niños. Manténgalos fuera de su alcance o deshágase de ellos clasificándolos según las instrucciones para la eliminación de residuos. No los tire junto con los residuos domésticos normales.

El embalaje del frigorífico se ha fabricado con materiales reciclables.

Eliminación de su viejo frigorífico

Deshágase de su viejo frigorífico de manera respetuosa con el medio ambiente.

- Consulte las posibles alternativas a un distribuidor autorizado o al centro de recogida de residuos de su municipio.

Antes de proceder a la eliminación del frigorífico, corte el enchufe y, si las puertas tuvieran cierres, destrúyalos para evitar que los niños corran riesgos.

Colocación e instalación

Precaución: Nunca enchufe el frigorífico en la toma de corriente durante su instalación. Existe peligro de lesiones graves e incluso de muerte.

Si la puerta de entrada a la estancia en donde va a instalar el frigorífico no es lo suficientemente ancha para permitir su paso, solicite al servicio técnico que retire las puertas del frigorífico y lo pase de lado a través de la puerta.

1. Instale el frigorífico en un lugar en el que pueda utilizarse con comodidad.
2. Mantenga el frigorífico alejado de fuentes de calor y lugares húmedos y evite su exposición directa a la luz solar.
3. Para que el frigorífico funcione con la máxima eficacia, debe instalarse en una zona que disponga de una ventilación adecuada.

Si el frigorífico va a instalarse en un hueco de la pared, debe dejarse un mínimo de 5 cm de separación con el techo y de 5 cm con las paredes.

Si el suelo está cubierto con una alfombra, deberá elevar el frigorífico 2,5 cm del suelo.

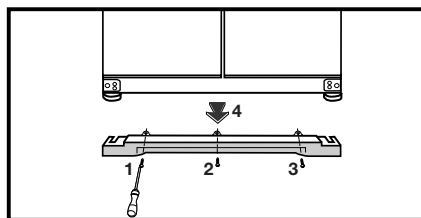
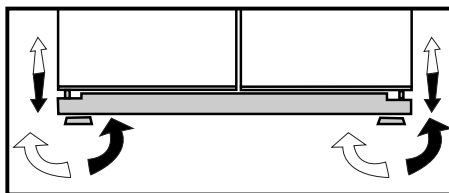
4. Coloque el frigorífico sobre una superficie lisa para evitar sacudidas.
5. No instale el frigorífico en estancias cuya temperatura ambiente sea inferior a 10 °C.

Ajuste del equilibrio

Si su frigorífico no está equilibrado:

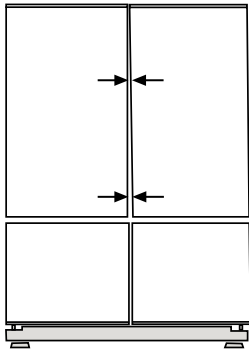
1- Retire la cubierta de ventilación aflojando sus tornillos, tal como se muestra en la ilustración que encontrará antes del procedimiento. Puede equilibrar el frigorífico girando los pies delanteros tal como se muestra en la ilustración. La esquina correspondiente al pie que está manipulando descenderá al girar el pie en la dirección de la flecha negra y se elevará al girarlo en la dirección opuesta. Le será más fácil realizar esta operación si le pide a alguien que levante ligeramente el frigorífico.

2. Una vez equilibrado el frigorífico, vuelva a colocar la cubierta de ventilación y apriete los tornillos.

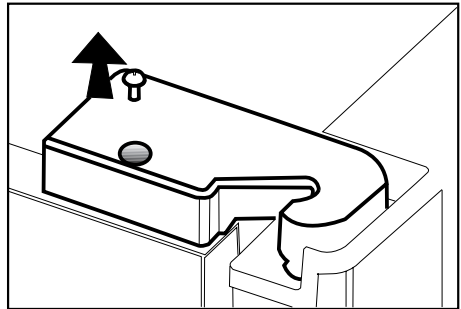


3. Retire los tornillos que sujetan la cubierta inferior de ventilación mediante un destornillador de estrella.

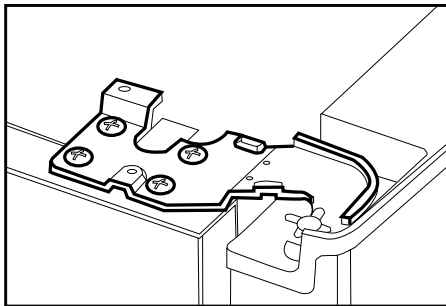
Ajuste de la separación entre la puerta superior



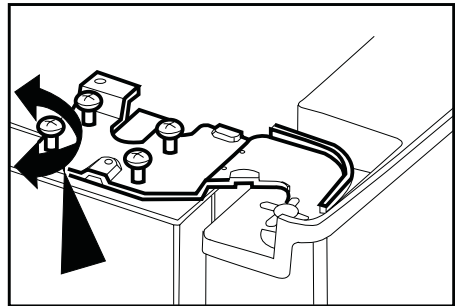
- Se puede ajustar la separación entre las puertas de la manera que se muestra en las ilustraciones.



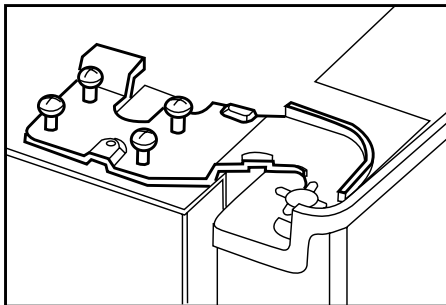
- Vacíe las estanterías de las puertas antes de ajustar la altura de las puertas.



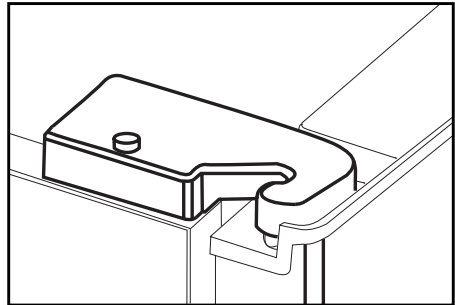
- Fije la puerta que acaba de ajustar apretando los tornillos sin cambiar la posición de la puerta.



- Con la ayuda de un destornillador, retire el tornillo de la cubierta de la bisagra superior de la puerta que desee ajustar.



- Vuelva a colocar la cubierta de la bisagra y fíjela con el tornillo.

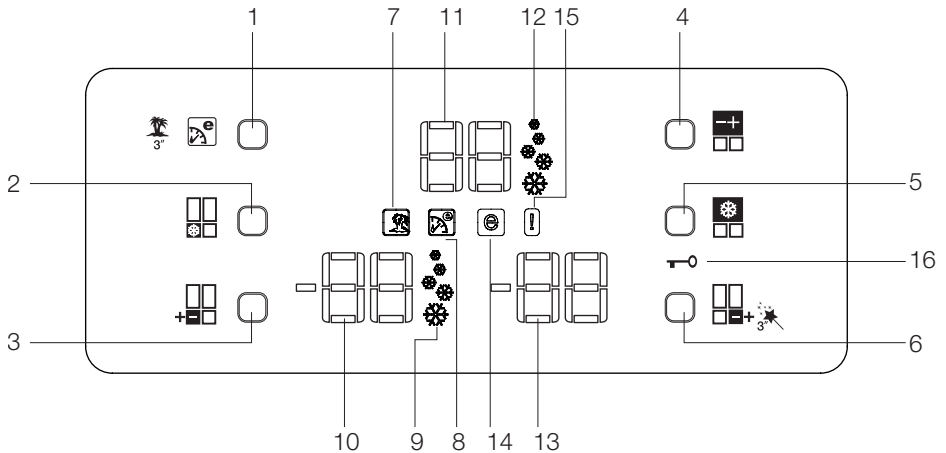


- Ajuste la puerta según desee aflojando los tornillos.

4 Uso del frigorífico

Panel indicador

Este panel indicador de control táctil le permite ajustar la temperatura sin necesidad de abrir la puerta del frigorífico. Basta con que pulse el botón pertinente.



1. Botón Eco Extra/Vacaciones
2. Botón de congelación rápida
3. Botón de ajuste de la temperatura del compartimento congelador
4. Botón de ajuste de la temperatura del compartimento frigorífico
5. Botón de enfriamiento rápido
6. Botón de ajuste de la temperatura del compartimento de almacenamiento multizona
7. Indicador de la función de vacaciones
8. Indicador de la función Eco Extra
9. Indicador de la función de congelación rápida
10. Indicador de temperatura del compartimento congelador
11. Indicador de temperatura del compartimento frigorífico
12. Indicador de la función de enfriamiento rápido
13. Indicador de temperatura del compartimento de almacenamiento multizona
14. Indicador del modo ahorro
15. Indicador de error
16. Indicador de bloqueo de teclas

1. Botón Eco Extra/Vacaciones

Pulse brevemente este botón para activar la función Eco Extra. Mantenga pulsado el botón durante 3 segundos para activar la función de vacaciones. Pulse de nuevo este botón para desactivar la función seleccionada.

2. Botón de congelación rápida

Pulse brevemente este botón para activar la función de congelación rápida. Pulse de nuevo este botón para desactivar la función seleccionada.

3. Botón de ajuste de la temperatura del compartimento congelador

Pulse este botón para ajustar la temperatura del compartimento congelador a -18, -20, -22, -24, nuevamente -18 °C, etc. Pulse este botón para ajustar la temperatura que desee para el compartimento congelador.

4. Botón de ajuste de la temperatura del compartimento frigorífico

Pulse este botón para ajustar la temperatura del compartimento frigorífico a 8, 6, 4, 2, nuevamente 8 °C, etc. Pulse este botón para ajustar la temperatura que desee para el compartimento frigorífico.

5. Botón de enfriamiento rápido

Pulse brevemente este botón para activar la función de enfriamiento rápido. Pulse de nuevo este botón para desactivar la función seleccionada.

6. Botón de ajuste de la temperatura del compartimento de almacenamiento multizona

Puede configurar el compartimento de almacenamiento multizona como compartimento de enfriamiento o de congelación. Mantenga pulsado este botón durante 3 segundos para configurar el compartimento de almacenamiento multizona como compartimento de enfriamiento o de congelación. Este compartimento viene configurado de fábrica como compartimento de congelación.

Si configura el compartimento de almacenamiento multizona como compartimento de congelación, la temperatura del compartimento irá cambiando siguiendo el ciclo -18, -20, -22, -24, -18 °C etc. cada vez que pulse el botón. Si configura el compartimento de almacenamiento multizona como compartimento frigorífico, la temperatura del compartimento irá cambiando siguiendo el ciclo 10, 8, 6, 4, 2, 0, -6 °C etc. cada vez que pulse el botón.

7. Indicador de la función de vacaciones

Indica que la función de vacaciones está activa. Cuando esta función está activa, el indicador del compartimento frigorífico muestra - -i y el compartimento frigorífico no enfriará. El resto de compartimentos se atenderán a la temperatura ajustada para ellos. Pulse de nuevo este botón para desactivar la función.

8. Indicador de la función Eco Extra

Indica que la función Eco Extra está activa. Cuando esta función está activa, su frigorífico detectará automáticamente los periodos de menor uso y realizará en ellos un enfriamiento energéticamente eficiente. El indicador del modo ahorro estará activo mientras la función de enfriamiento energéticamente eficiente esté activa.

Pulse de nuevo este botón para desactivar la función.

9. Indicador de la función de congelación rápida

Indica que la función de congelación rápida está activa. Use esta función cuando deposite alimentos frescos en el compartimento congelador o bien cuando necesite hielo. Cuando esta función esté activa, su frigorífico funcionará ininterrumpidamente durante 6 horas.

Pulse de nuevo este botón para desactivar la función.

10. Indicador de temperatura del compartimento congelador

Indica la temperatura ajustada para el compartimento congelador.

11. Indicador de temperatura del compartimento frigorífico

Indica la temperatura ajustada para el compartimento frigorífico.

12. Indicador de la función de enfriamiento rápido

Indica que la función de enfriamiento rápido está activa. Use esta función cuando deposite alimentos frescos en el compartimento frigorífico o bien cuando precise enfriar sus alimentos con rapidez. Cuando esta función esté activa, su frigorífico funcionará ininterrumpidamente durante 2 horas.

Pulse de nuevo este botón para desactivar la función.

13. Indicador de temperatura del compartimento de almacenamiento multizona

Indica la temperatura ajustada para el compartimento de almacenamiento multizona.

14. Indicador del modo ahorro

Indica que el frigorífico está funcionando en modo de eficiencia energética. Temperatura del compartimento congelador

Este indicador estará activo si la función se fija en -18°C o bien se está realizando un proceso de enfriamiento energéticamente eficiente mediante la función Eco-Extra.

15. Indicador de error

Este indicador se activará si su frigorífico no enfría adecuadamente o si hay un fallo en el sensor. Cuando este indicador esté encendido, el indicador de la temperatura del compartimento congelador mostrará "E" y el indicador de temperatura del compartimento frigorífico mostrará números, por ejemplo "1,2,3...". Estos números proporcionan al personal de mantenimiento información acerca del error.

16. Indicador de bloqueo de teclas

Use esta función si no quiere que la temperatura del frigorífico varíe. Pulse simultáneamente y durante 3 segundos los botones de enfriamiento rápido y de ajuste de la temperatura del compartimento de almacenamiento multizona para activar la función. Pulse de nuevo los mismos botones para desactivar la función.

Alarma de puerta abierta:

Si la puerta del compartimento frigorífico o bien la del compartimento de almacenamiento multizona permanece abierta durante más de 1 minuto, se activará la alarma de puerta abierta. Pulse cualquier botón del indicador o bien cierre la puerta abierta para desactivar la alarma.

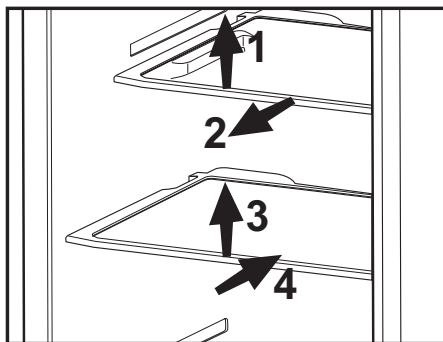
Huevera

- Puede instalar la huevera en la puerta o en el estante que desee.
- Nunca deposite la huevera en el compartimento congelador.

Estantes deslizantes

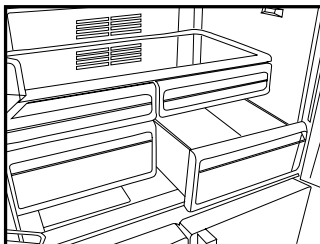
Los estantes deslizantes se abren y cierran elevando ligeramente el frente y tirando hacia delante y hacia atrás. Cuando se tira de ellos, tienen un tope desde el cual se pueden alcanzar los alimentos situados en la parte trasera del estante; vuelva a tirar del estante tras elevarlo ligeramente hasta el segundo tope para extraerlo.

Sujete el estante con firmeza por la parte inferior para evitar que se caiga. El estante se coloca en los rieles de los laterales del cuerpo del frigorífico poniéndolo en un nivel inferior o superior. Empuje el estante hasta que asiente completamente.



Cajón de frutas y verduras

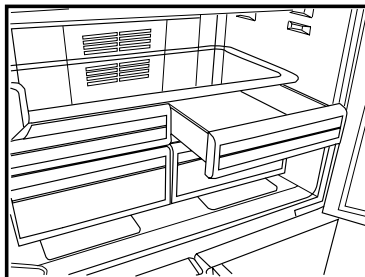
El cajón de frutas y verduras de su frigorífico está especialmente diseñado para mantener la frescura de sus vegetales sin que pierdan su humedad natural. Con este fin, alrededor del cajón de frutas y verduras circula aire frío.



Compartimento de enfriamiento

Los compartimentos de enfriamiento preparan para la congelación los alimentos que van a congelarse. También puede usar estos compartimentos para almacenar alimentos a una temperatura unos grados por debajo de la temperatura del compartimento frigorífico.

Puede incrementar el volumen interior del frigorífico retirando cualquiera de los compartimentos para refrigerios. Para ello, tire hacia sí del compartimento; éste se inclinará hacia el tope y se detendrá. Podrá extraer el compartimento levantándolo aproximadamente 1 cm y tirando de él hacia usted.



Sección central giratoria

La sección central giratoria tiene la función de evitar que el aire frío del interior de su frigorífico salga al exterior. La sección central giratoria contribuye al sellado, puesto que las juntas de la puerta hacen presión en la superficie de la sección central giratoria al cerrar las puertas del compartimento frigorífico. Otra razón por la cual su frigorífico dispone de una sección central giratoria es que incrementa el volumen neto del compartimento frigorífico. Las secciones centrales móviles ocupan algo de espacio no utilizable del frigorífico.

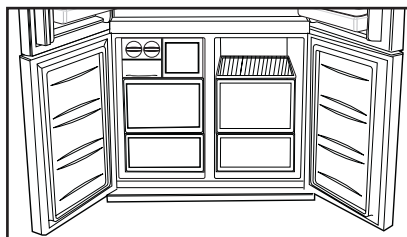
La sección central giratoria debe estar cerrada mientras la puerta izquierda del compartimento frigorífico esté abierta. No debe abrirse manualmente, sino que se debe girar por medio de una pieza de plástico instalada en el armario del electrodoméstico.

Compartimento de almacenamiento multizona

El compartimento de almacenamiento multizona de su frigorífico puede utilizarse en cualquiera de los modos ajustándolo a temperaturas de frigorífico (2/4/6/8 °C) o de congelador (-18/-20/-22/-24 °C). Puede mantener el compartimento en la temperatura deseada mediante el botón de ajuste de la temperatura del compartimento de almacenamiento multizona. La temperatura del compartimento de almacenamiento multizona puede fijarse a 0 y 10 grados por encima de la temperatura del compartimento frigorífico y a 6 grados por debajo de la temperatura del compartimento congelador.

La temperatura de 0 °C es adecuada para almacenar durante más tiempo los productos de charcutería, mientras que la de -6 °C se utiliza para conservar las carnes durante un máximo de 2 semanas en un estado de fácil corte.

i La capacidad de convertirse en un compartimento frigorífico o congelador la proporciona un elemento de refrigeración de la sección cerrada (compartimento del compresor) ubicada detrás del frigorífico. Cuando este elemento está en funcionamiento, el sonido emitido es similar al tic-tac de un reloj analógico. Esto es perfectamente normal y no es ninguna anomalía.



Luz azul

El efecto de la longitud de onda de la luz azul hace que los alimentos almacenados en el cajón de frutas y verduras prolonguen su proceso de fotosíntesis, conservando de esta manera su frescura e incrementando su contenido vitamínico.



5 Mantenimiento y limpieza

- ⚠ No utilice nunca gasolina, benceno o sustancias similares para la limpieza.
- ⚠ Le recomendamos desenchufar el aparato antes de proceder a su limpieza.
- ℹ No utilice para la limpieza instrumentos afilados o sustancias abrasivas, jabones, limpiadores domésticos, detergentes ni ceras abrillantadoras.
- ℹ Limpie el exterior del frigorífico con agua tibia y séquelo con un paño.
- ℹ Para limpiar el interior, utilice un paño humedecido en un vaso grande de agua con una cucharadita de bicarbonato sódico disuelta y séquelo con un trapo.
- ⚠ Asegúrese de que no penetre agua en el alojamiento de la lámpara ni en otros elementos eléctricos.
- ⚠ Si no va a utilizar el frigorífico durante un periodo prolongado, desenchúfelo, retire todos los alimentos, límpielo y deje la puerta entreabierta.
- ℹ Compruebe regularmente los cierres herméticos de la puerta para asegurarse de que estén limpios y sin restos de alimentos.
- ℹ Para extraer las bandejas de la puerta, retire todo su contenido y, a continuación, empuje la bandeja hacia arriba desde su base.

Protección de las superficies de plástico

- ℹ No deposite aceites líquidos o alimentos aceitosos en recipientes no cerrados ya que dañarán las superficies de plástico de su frigorífico. En caso de derrame de aceite sobre las superficies de plástico, limpie y enjuague con agua caliente la parte afectada de inmediato.

6 Sugerencias para la solución de problemas

Le rogamos compruebe la siguiente lista antes de llamar al servicio técnico. Puede ahorrarle tiempo y dinero. Esta lista incluye problemas frecuentes no achacables a defectos en materiales o manufactura. Es posible que algunas de las características mencionadas no estén presentes en su producto.

El refrigerador no funciona
<ul style="list-style-type: none">• ¿Está el frigorífico convenientemente enchufado? Inserte el enchufe en la toma de corriente.• ¿Están fundidos el fusible principal o el fusible del enchufe al cual ha conectado el frigorífico? Revise los fusibles.
Condensación en la pared lateral del compartimento refrigerador. (MULTI ZONE, COOL CONTROL y FLEXI ZONE)
<ul style="list-style-type: none">• Condiciones ambientales muy frías. Frecuente apertura y cierre de la puerta. Nivel alto de humedad ambiental. Almacenamiento de alimentos que contienen líquidos en recipientes abiertos. Dejar la puerta entreabierta.• Ponga el termostato a una temperatura más baja.• Deje la puerta abierta durante menos tiempo o ábrala con menos frecuencia.• Cubra los alimentos almacenados en recipientes abiertos con un material adecuado.• Enjugue el agua condensada con un paño seco y compruebe si la condensación persiste.
El compresor no funciona
<ul style="list-style-type: none">• El dispositivo térmico protector del compresor saltará en caso de un corte súbito de energía o de idas y venidas de la corriente, ya que la presión del refrigerante en el sistema de enfriamiento aún no se ha estabilizado.• Su frigorífico se pondrá en marcha transcurridos unos 6 minutos. Llame al servicio técnico si su frigorífico no se pone en marcha transcurrido ese periodo.• El frigorífico se encuentra en el ciclo de descongelación. Esto es normal en un frigorífico con descongelación automática. El ciclo de descongelación se produce de forma periódica.• El frigorífico no está enchufado. Compruebe que el enchufe esté firmemente insertado en la toma de corriente.• ¿Está la temperatura correctamente fijada? Hay un corte del fluido eléctrico. Llame a su electricista.

El frigorífico está en funcionamiento con frecuencia o durante periodos prolongados.
<ul style="list-style-type: none"> • Puede que su nuevo frigorífico sea más grande que el que tenía anteriormente. Esto es perfectamente normal. Los frigoríficos de mayor tamaño funcionan durante más tiempo. • Es posible que la temperatura ambiente de la estancia sea más alta. Esto es perfectamente normal. • Es posible que haya enchufado el frigorífico o bien lo haya cargado de alimentos recientemente. Puede que el frigorífico tarde unas dos horas en enfriarse por completo. • Es posible que recientemente haya depositado grandes cantidades de alimentos en el frigorífico. Los alimentos calientes pueden ocasionar que el frigorífico trabaje durante más tiempo hasta alcanzar la temperatura de almacenamiento seguro. • Es posible que las puertas se hayan abierto con frecuencia o que se hayan dejado entreabiertas por un tiempo prolongado. El aire caliente que ha penetrado en el frigorífico hace que éste funcione durante más tiempo. Abra las puertas con menos frecuencia. • Es posible que la puerta del compartimento frigorífico o congelador se haya dejado entreabierta. Compruebe que las puertas estén bien cerradas. • El frigorífico está ajustado a una temperatura muy baja. Ajuste la temperatura del frigorífico a un valor más alto y espere a que se alcance dicha temperatura. • La junta de la puerta del compartimento frigorífico o congelador puede estar sucia, desgastada, rota o no asentada correctamente. Limpie o sustituya la junta. Una junta rota o dañada hace que el frigorífico funcione durante más tiempo con el fin de mantener la temperatura actual.
La temperatura del congelador es muy baja, mientras que la del frigorífico es correcta.
<ul style="list-style-type: none"> • La temperatura del congelador está ajustada a un valor muy bajo. Ajuste la temperatura del congelador a un valor más elevado y compruebe.
La temperatura del frigorífico es muy baja, mientras que la del congelador es correcta.
<ul style="list-style-type: none"> • La temperatura del compartimento frigorífico está ajustada a un valor muy bajo. Ajuste la temperatura del frigorífico a un valor más elevado y compruebe.
Los alimentos depositados en los cajones del compartimento frigorífico se están congelando.
<ul style="list-style-type: none"> • La temperatura del compartimento frigorífico está ajustada a un valor muy bajo. Ajuste la temperatura del frigorífico a un valor más elevado y compruebe.
La temperatura del congelador o el frigorífico es muy alta.
<ul style="list-style-type: none"> • La temperatura del frigorífico está ajustada a un valor muy alto. El ajuste de la temperatura del frigorífico afecta a la temperatura del congelador. Cambie la temperatura del frigorífico o del congelador hasta que alcance un nivel suficiente. • Es posible que la puerta se haya quedado entreabierta. Cierre la puerta del todo. • Es posible que recientemente haya depositado grandes cantidades de alimentos en el frigorífico. Espere hasta que el frigorífico o el congelador alcance la temperatura deseada. • Es posible que el frigorífico haya sido enchufado recientemente. El enfriamiento completo del frigorífico lleva un tiempo debido a su tamaño.
Puede escucharse un sonido parecido al tic tac de un reloj saliendo del frigorífico.
<ul style="list-style-type: none"> • Este ruido procede de la electroválvula del frigorífico. La electroválvula garantiza el flujo de líquido refrigerante a través del compartimento, que puede ajustarse a temperaturas de enfriamiento o congelación así como llevar a cabo funciones de refrigeración. Esto es perfectamente normal y no es ninguna anomalía.

El nivel de ruidos propios del funcionamiento se incrementa cuando el frigorífico está en marcha.
<ul style="list-style-type: none"> Las características de rendimiento del frigorífico pueden cambiar en función de las variaciones en la temperatura ambiente. Esto es perfectamente normal, no es ninguna avería.
Vibraciones o ruidos.
<ul style="list-style-type: none"> El suelo no está nivelado ni es firme. El frigorífico oscila al moverlo lentamente. Compruebe que el suelo sea nivelado, firme y capaz de soportar el peso del frigorífico. El ruido puede deberse a los elementos guardados en el frigorífico. Tales objetos deben retirarse de la parte superior del frigorífico.
Pueden oírse ruidos como si un líquido se derramara o se pulverizara.
<ul style="list-style-type: none"> Los líquidos y gases fluyen de acuerdo con los principios de funcionamiento del frigorífico. Esto es perfectamente normal, no es ninguna avería.
Puede oírse un ruido parecido al viento.
<ul style="list-style-type: none"> Se utilizan ventiladores con el fin de hacer que el frigorífico se enfríe con eficiencia. Esto es perfectamente normal, no es ninguna avería.
Condensación en las paredes interiores del frigorífico.
<ul style="list-style-type: none"> El tiempo cálido y húmedo favorece la formación de hielo y la condensación. Esto es perfectamente normal, no es ninguna avería. Las puertas están entreabiertas. Asegúrese de que las puertas estén completamente cerradas. Es posible que las puertas se hayan estado abriendo con frecuencia o que se hayan dejado abiertas durante un periodo prolongado. Abra las puertas con menos frecuencia.
Hay humedad en el exterior del frigorífico o entre las puertas.
<ul style="list-style-type: none"> Puede que haya humedad ambiental. Esto es perfectamente normal en climas húmedos. Cuando el grado de humedad descienda, la condensación desaparecerá.
Mal olor en el interior del frigorífico.
<ul style="list-style-type: none"> El interior del frigorífico debe limpiarse. Limpie el interior del frigorífico con una esponja empapada en agua caliente o agua con gas. Es posible que el olor provenga de algún recipiente o envoltorio. Utilice otro recipiente o materiales para envolver de una marca diferente.
La puerta (o puertas) no se cierra.
<ul style="list-style-type: none"> Puede que los paquetes de alimentos depositados no dejen que las puertas se cierren. Recolecte los paquetes que estén obstruyendo la puerta. Es probable que el frigorífico no esté en posición completamente vertical sobre el suelo y que oscile si se lo mueve ligeramente. Ajuste los tornillos de elevación. El suelo no está nivelado o no es firme. Compruebe que el suelo esté nivelado y que sea capaz de soportar el peso del frigorífico.
Los cajones están atascados.
<ul style="list-style-type: none"> Es posible que algún alimento toque el techo del cajón. Cambie la distribución de los alimentos en el cajón.

Gelieve eerst deze gebruiksaanwijzing te lezen!

Beste klant,

We hopen dat uw product, dat in een moderne fabriek werd geproduceerd en onder de meest nauwkeurige procedures voor kwaliteitscontrole werd gecontroleerd, u doeltreffend van dienst zal zijn.

Wij bevelen daarom aan dat u eerst zorgvuldig de volledige gebruiksaanwijzing van uw product leest voordat u het product gaat gebruiken. Bewaar de handleiding voor toekomstige raadpleging.




Deze gebruiksaanwijzing

- Helpt u uw toestel snel en veilig te gebruiken.
- Lees de gebruiksaanwijzing voordat u het product installeert en gebruikt.
- Volg de instructies, in het bijzonder die met betrekking tot veiligheid.
- Bewaar de gebruiksaanwijzing op een eenvoudig toegankelijke plaats aangezien u deze later nodig kunt hebben.
- Daarnaast dient u ook de andere documenten die bij uw product worden geleverd te lezen.

Let erop dat deze gebruiksaanwijzing ook voor andere modellen kan gelden.

Symbolen en hun beschrijvingen

Deze instructiehandleiding bevat de volgende symbolen:

-  Belangrijke informatie of nuttige gebruikstips.
-  Waarschuwing tegen gevaarlijke omstandigheden voor leven en eigendommen.
-  Waarschuwing tegen elektrische spanning.



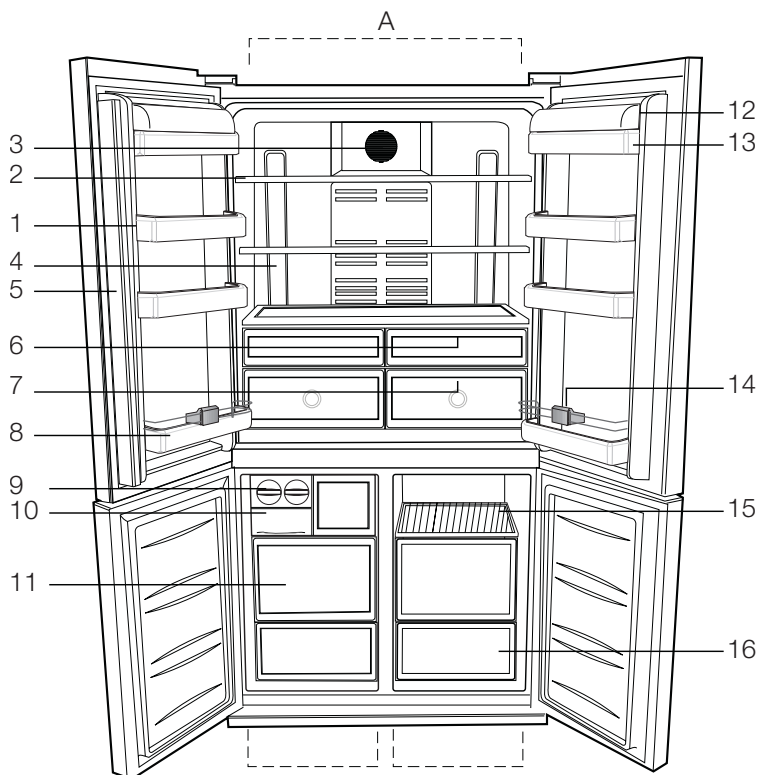
Dit product bevat het symbool voor selectief sorteren van afval van elektrische uitrustingen en elektronica (WEEE).

Dit betekent dat dit product moet worden gehanteerd overeenkomstig de Europese richtlijn 2002/96/EC ten einde te worden gerecycled of gedemonteerd om de impact op het milieu te minimaliseren. Voor meer informatie, neem a.u.b. contact op met uw plaatselijke of regionale overheid.

Elektronische producten die niet selectief gesorteerd worden, zijn potentieel gevaarlijk voor het milieu en de gezondheid van de mens omwille van de aanwezigheid van gevaarlijke stoffen.

1 Uw koelkast	3	4 Gebruik van uw koelkast	12
		Display	12
		Deur Open Alarm:	14
		Eierrek	15
		Glijdende schappen	15
		Groentelade	15
		Koelergedeelte	15
		Draaiend Middengedeelte	16
		Multi Zone-bewaarvak	16
		Blauw licht	16
2 Belangrijke Veiligheidswaarschuwingen	4	5 Onderhoud en reiniging	17
Bedoeld gebruik	4	Bescherming van de Plastic Oppervlakken	17
Voor producten met een waterdispenser;	6		
Kinderbeveiliging	6		
HCA-waarschuwing	6		
Aanwijzingen ter besparing van energie	7		
Aanbevelingen voor het vak voor verse etenswaren	7		
3 Installatie	8	6 Aanbevolen oplossingen voor problemen	18
Vorbereiding	8		
Aandachtspunten bij het opnieuw transporteren van uw koelkast	8		
Het vervangen van de lamp	8		
Alvorens de inwerkstelling van uw koelkast	9		
Elektrische aansluiting	9		
Afvoeren van de verpakking	9		
Afvoeren van uw oude koelkast	9		
Plaatsing en installatie	10		
Vloerafstelling	10		
De afstand tussen de bovenste deur aanpassen	11		

1 Uw koelkast



- A Koelgedeelte
- B- Diepvriesgedeelte
- C Multi Zone

- | | |
|---|------------------------------------|
| 1- Deurvakken koelgedeelte | 9- Icematic |
| 2- Aanpasbare kastschappen van het koelgedeelte | 10- Ijsbak |
| 3- Lampkapje | 11- Vak voor diepvriesproducten |
| 4- Lampje | 12- Deksel van boter- en kaasschap |
| 5- Draaiend middengedeelte | 13- Boter- en kaasschap |
| 6- Koelgedeelte | 14- Flessenhouder |
| 7- Groentelade | 15- Schappen Multi Zone-gedeelte |
| 8- Flessenrek | 16- Multi Zone-gedeelte |

i De afbeeldingen in deze gebruiksaanwijzing zijn schematisch en hoeven niet exact met uw product overeen te komen. Wanneer onderdelen niet tot het product behoren dat u hebt gekocht, zijn deze geldig voor andere modellen.

2 Belangrijke Veiligheidswaarschuwingen

Gelieve de volgende informatie goed te bestuderen. Niet-inachtneming van deze informatie kan verwondingen of materiële schade veroorzaken. In dat geval worden alle garanties en betrouwbaarheidsengagementen ongeldig.

De levensduur van de unit die u heeft aangekocht is 10 jaar. Dit is de periode dat u benodigde reserveonderdelen dient te bewaren om de unit te laten werken zoals beschreven.

Bedoeld gebruik

Dit product is bedoeld voor gebruik

- binnen en in afgesloten ruimtes zoals huizen;
- in afgesloten werkomgevingen zoals winkels en kantoren;
- in afgesloten verblijfplaatsen zoals boerenhoeves, hotels, pensions.
- Dit toestel mag niet buitenshuis worden gebruikt.

Algemene veiligheid

- Wanneer u het product wenst af te voeren, raden wij u aan de bevoegde onderhoudsdienst te raadplegen om de benodigde informatie en bevoegde instanties te leren kennen.
- Raadpleeg uw bevoegde onderhoudsdienst voor alle vragen en problemen met betrekking tot de koelkast. Voer geen ingrepen aan de koelkast uit en laat dit ook niet door iemand anders doen zonder de bevoegde onderhoudsdienst op de hoogte te stellen.
- Voor producten met een diepvriesvak; Eet geen ijs of ijsblokjes meteen nadat u deze uit het diepvriesvak heeft gehaald. (Dit kan bevriezing in uw mond veroorzaken.)
- Voor producten met een diepvriesvak;

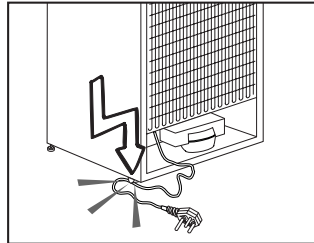
Plaats geen flessen of blikjes met vloeibare dranken in het diepvriesvak. Deze zouden kunnen barsten.

- Raak ingevroren levensmiddelen niet met de hand aan; deze kunnen aan uw hand vastplakken.
- Trek de stekker van uw koelkast uit het stopcontact voordat u deze schoonmaakt of ontdooit.
- Bij het schoonmaken en ontdoeien van de koelkast mogen geen stoom en stoomreinigers gebruikt worden. De stoom kan in contact komen met de elektrische onderdelen en kortsluiting of een elektrische schok veroorzaken.
- Gebruik geen onderdelen van uw koelkast zoals de deur als steun of opstapje.
- Gebruik geen elektrische apparaten binnen in de koelkast.
- Beschadig de onderdelen, waar de koelmoeistof circuleert, niet door boor- of snijdgereedschap. De koelmoeistof kan naar buiten geblazen worden wanneer de gasleidingen van de verdamper, leidingverlengingen of oppervlaktecoatings worden doorboord en dit kan huidirritatie en oogletsel veroorzaken.
- Dek of blokkeer de ventilatieopeningen van uw koelkast met geen enkel materiaal.
- Elektrische toestellen mogen enkel door bevoegde personen worden hersteld. Reparaties die door onbevoegde personen worden uitgevoerd kunnen een risico voor de gebruiker opleveren.
- In geval van storing of tijdens onderhoud- of reparatiewerkzaamheden, sluit de stroomtoevoer van de koelkast af door de zekering uit te schroeven of de stekker van het apparaat uit te trekken.
- Bij het uittrekken van de stekker deze niet aan de kabel uittrekken.

- Plaats alcoholische dranken goed afgesloten en verticaal.
- Bewaar nooit spuitbussen met een ontvlambare of explosieve inhoud in de koelkast.
- Gebruik geen andere mechanische gereedschappen of andere middelen om het ontdooiproces te versnellen dan deze aangeraden door de fabrikant.
- Dit product is niet bestemd voor gebruik door personen met een fysieke, zintuiglijke of mentale stoornis of ongeschoolde of onervaren mensen (inclusief kinderen) tenzij deze worden bijgestaan door een persoon die verantwoordelijk is voor hun veiligheid of die hen dienovereenkomstig instructies geeft bij het gebruik van het product
- Gebruik geen beschadigde koelkast. Neem contact op met de dealer als u vragen heeft.
- Elektrische veiligheid van uw koelkast wordt alleen gegarandeerd wanneer het aardingssysteem in uw huis aan de normen voldoet.
- Blootstelling van het product aan regen, sneeuw, zon en wind is gevaarlijk met betrekking tot de elektrische veiligheid.
- Neem contact op met een bevoegde dienst wanneer de stroomkabel beschadigd is om zo gevaar te voorkomen.
- Steek tijdens installatie nooit de stekker van de koelkast in de wandcontactdoos. Er bestaat een kans op overlijden of serieus letsel.
- Deze koelkast is enkel bestemd voor het bewaren van voedsel. Hij mag niet voor andere doeleinden worden gebruikt.
- Het label met technische specificaties bevindt zich aan de linkerwand binnenin de koelkast.
- Sluit je koelkast nooit aan op energiebesparende systemen; deze kunnen de koelkast beschadigen.
- Als er een blauw licht op de koelkast schijnt, kijk er dan niet naar met

optische gereedschappen.

- Wacht bij handmatig bediende koelkasten minstens 5 minuten met het aanzetten van de koelkast na stroomuitval.
- Deze gebruikershandleiding moet aan de nieuwe eigenaar van het toestel gegeven worden wanneer het toestel doorgegeven wordt.
- Vermijd schade aan de stroomkabel bij transport van de koelkasten. De kabel plooiën kan vuur veroorzaken. Plaats geen zware voorwerpen op de stroomkabel. Raak de stekker niet aan met natte handen wanneer deze in het stopcontact wordt geplaatst.



- Plaats de stekker van de koelkast niet in het stopcontact als dit stopcontact los is.
- Er mag geen water rechtstreeks op de binnen- of buitendelen van het toestel gesproeid worden omwille van veiligheidsredenen.
- Sproei geen stoffen met ontvlambare gassen zoals propaangas dichtbij de koelkast om gevaar op vuur en ontploffing te voorkomen.
- Plaats geen containers gevuld met water op de koelkast, dit kan elektrische schokken of vuur veroorzaken.
- Overlaad je koelkast niet met overdadige hoeveelheden voedsel. Indien de koelkast overladen is, kan voedsel naar beneden vallen bij het openen en u kwetsen of de koelkast beschadigen. Plaats geen objecten op de koelkast; deze kunnen naar beneden vallen wanneer u de deur open of dicht doet.

- Producten die een nauwkeurige temperatuurregeling nodig hebben (vaccins, hittegevoelige medicatie, wetenschappelijke materialen, enz.) mogen niet in koelkast bewaard worden.
- De koelkast moet worden losgekoppeld indien deze langdurig niet wordt gebruikt. Een mogelijk probleem met de stroomkabel kan vuur veroorzaken.
- Het uiteinde van de stekker moet regelmatig worden gereinigd, anders kan dit vuur veroorzaken.
- Het uiteinde van de stekker moet regelmatig worden gereinigd met een droge doek, anders kan deze brand veroorzaken.
- De koelkast kan bewegen als de stelvoetjes niet juist op de vloer worden vastgezet. De stelvoetjes juist vastzetten op de vloer kan voorkomen dat de koelkast beweegt.
- Hef de koelkast niet aan het handvat bij verplaatsing. Anders breekt het.
- Als u het product naast een andere koelkast of diepvriezer plaatst, moet de afstand hiertussen minstens 8 cm zijn. Anders kunnen aaneensluitende zijwanden nat worden.

Voor producten met een waterdispenser;

De waterleidingdruk dient minstens 1 bar te bedragen. De waterleidingdruk mag maximaal 8 bar te bedragen.

- Gebruik alleen drinkwater.

Kinderbeveiliging

- Indien de deur een slot heeft, moet de sleutel buiten het bereik van kinderen worden gehouden.
- Kinderen moeten onder toezicht staan om te voorkomen dat ze met het product knoeien.

HCA-waarschuwing

Als het koelsysteem van uw product R600a bevat:

Dit gas is ontvlambaar. Zorg daarom tijdens gebruik en transport dat het koelsysteem en de leidingen niet beschadigd raken. In het geval van schade: houd uw product weg van mogelijke ontstekingsbronnen die kunnen veroorzaken dat het product vuur vat en ventileer de ruimte waarin de unit is geplaatst.

Negeer deze waarschuwing als het koelsysteem van uw product R134a bevat.

Het type gas dat in dit product wordt gebruikt staat vermeld op de typeplaat aan de linkerwand binnenin de koelkast.

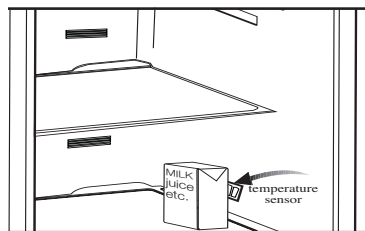
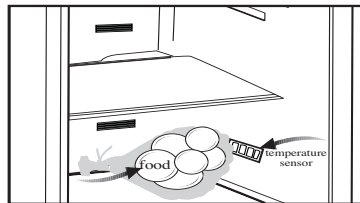
Gooi het product nooit in vuur voor verwijdering.

Aanwijzingen ter besparing van energie


- Houd de deuren van uw koelkast niet lang open.
- Plaats geen warme levensmiddelen of dranken in de koelkast.
- Overlaad de koelkast niet zodat luchtcirculatie aan de binnenzijde niet geblokkeerd wordt.
- Plaats de koelkast niet in direct zonlicht of naast warmteafgevend apparaten zoals een oven, vaatwasser of radiator.
- Bewaar uw levensmiddelen in gesloten bakjes.
- Voor producten met een diepvriesvak; U kunt een maximale hoeveelheid voedsel in de diepvries bewaren wanneer u de schappen of lade uit de diepvries verwijdert. De waarde voor energieconsumptie van uw diepvries werd vastgesteld door verwijdering van de diepvries schappen of laden en onder de maximum hoeveelheid. Er bestaat geen risico bij het gebruik van een schap of lade volgens de vorm en grootte van het in te vriezen voedsel.
- Het ontdooien van ingevroren voedsel in het koelkastgedeelte voorziet in energiebesparing en behoud van de voedselkwaliteit.

Aanbevelingen voor het vak voor verse etenswaren OPTIONEEL

- Zorg ervoor dat de temperatuursensor in het vak voor verse etenswaren niet in contact komt met etenswaren. Om het vak op de ideale bewaar temperatuur te behouden mag de sensor niet bedekt zijn met etenswaren.
- Plaats geen warme etenswaren in uw apparaat.



3 Installatie

 De fabrikant kan niet aansprakelijk worden gesteld indien de informatie van deze gebruiksaanwijzing niet in acht wordt genomen.

Vorbereiding

- Uw koelkast moet worden geïnstalleerd op minstens 30 cm afstand van warmtebronnen zoals kookplaten, centrale verwarming en kachels en op minstens 5 cm afstand van elektrische ovens. De koelkast mag niet in direct zonlicht worden geplaatst.
- De omgevingstemperatuur van de kamer waarin u de koelkast installeert dient minstens 10 °C te zijn. In verband met efficiëntie wordt gebruik van uw koelkast in koudere omstandigheden niet aanbevolen.
- Controleer of de binnenzijde van uw koelkast volledig schoon is.
- Bij installatie van twee koelkasten naast elkaar, moeten de koelkasten op een afstand van minstens 2 cm van elkaar worden geplaatst.
- Wanneer u de koelkast voor de eerste keer in gebruik neemt, gelieve tijdens de eerste zes uur de volgende instructies in acht te houden.
 - De deur niet regelmatig openen.
 - Koelkast moet in bedrijf gesteld worden zonder levensmiddelen.
 - De stekker van de koelkast niet uittrekken. Indien zich een stroomstoring voordoet buiten uw macht, zie de waarschuwingen in het deel "Aanbevolen oplossingen voor problemen".
- Originele verpakking en schuimmaterialen moeten worden bewaard voor toekomstig transport of verhuizen.

Aandachtspunten bij het opnieuw transporteren van uw koelkast

1. Voor transport dient de koelkast leeg en schoon te zijn.
2. In verband met schokken moeten de schappen, accessoires, groentelade enz. in uw koelkast met plakband vastgezet worden voordat de koelkast opnieuw wordt verpakt.
3. Verpakking moet worden vastgebonden met dikke tape en sterke touwen en de transportregels, gedrukt op de verpakking, moeten opgevolgd worden.

Vergeet niet...

Ieder gerecycled materiaal is een essentiële bron voor de natuur en onze nationale bronnen.

Indien u een bijdrage wilt leveren aan recycling van verpakkingsmateriaal, kunt u meer informatie krijgen bij de milieuintanties of plaatselijke autoriteiten.

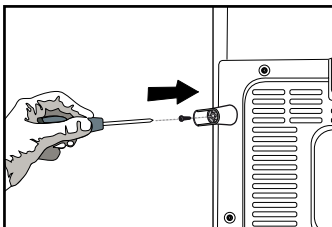
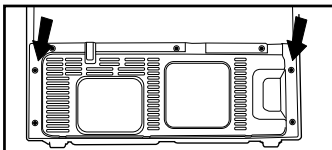
Het vervangen van de lamp

Om de lamp voor de binnenverlichting van uw koelkast te vervangen, bel uw bevoegde onderhoudsdienst.

Alvorens de inwerkstelling van uw koelkast

Alvorens u uw koelkast gaat gebruiken, controleer of:

1. De binnenzijde van de koelkast schoon is en de luchtcirculatie aan de achterzijde vrij kan plaatsvinden?
2. De 2 kunststof wiggen op de achterkant van de ventilatie plaatsen zoals in de volgende afbeelding weergegeven. Schroef de bestaande los en gebruik de schroeven, geleverd in dezelfde zak wiggen. Kunststof wiggen zullen de vereiste afstand geven tussen uw koelkast en de muur om luchtcirculatie mogelijk te maken.



3. Maak de binnenkant van de koelkast proper, zoals aanbevolen in het hoofdstuk "Onderhoud en reiniging".
4. Steek de stekker van de koelkast in het stopcontact. Wanneer de deur wordt geopend, zal het binnenlichtje aangaan.
5. U zult een geluid horen wanneer de compressor opstart. De vloeistof en de gassen die zich in het koelsysteem bevinden, zouden ook wat lawaai kunnen veroorzaken zelfs wanneer de compressor niet werkt. Dit is normaal.
6. De buitenkant van de koelkast kunnen warm aanvoelen. Dit is normaal. Deze oppervlakken zijn bedoeld om warm te worden om condensvorming te voorkomen.

Elektrische aansluiting

Sluit uw koelkast aan in een geaard stopcontact, beschermd door een zekering, met de juiste capaciteit.

Belangrijk:

- De aansluiting moet in naleving zijn met nationale voorschriften.
 - De stekker van de stroomkabel moet na installatie eenvoudig bereikbaar zijn.
 - De spanning en de toegestane zekeringsbescherming zijn gespecificeerd in het deel "Technische specificaties".
 - De gespecificeerde spanning moet gelijk zijn aan uw netspanning.
 - Verlengkabels en meerwegstekkers mogen voor aansluiting niet worden gebruikt.
- ⚠ Een beschadigde stroomkabel kabel moet door een gekwalificeerd elektricien worden vervangen.
- ⚠ Het toestel mag niet in werking worden gesteld voordat het is hersteld! Gevaar op een elektrische schok!

Afvoeren van de verpakking

De verpakkingsmaterialen kunnen gevaarlijk zijn voor kinderen. Houd het verpakkingsmateriaal buiten bereik van kinderen of voer deze af conform afvalinstructies. Gooi het materiaal niet weg bij het normale huishoudelijk afval. De verpakking van uw koelkast is vervaardigd uit herbruikbare materialen.

Afvoeren van uw oude koelkast

Voer uw oude machine af zonder het milieu op enige wijze te schaden.

- U kunt uw bevoegde dealer of het afvalcentrum van uw gemeente raadplegen over het afvoeren van uw koelkast.

Voordat u uw koelkast afvoert, snijd de elektrische stekker af. Indien het apparaat is uitgevoerd met deursluitingen, dit slot dan onbruikbaar maken om kinderen tegen gevaar te beschermen.

Plaatsing en installatie

Voorzichtig: Steek tijdens installatie nooit de stekker van de koelkast in de wandcontactdoos. Er bestaat een kans op overlijden of serieus letsel.

Als de toegangsdeur van de kamer waarin de koelkast wordt geïnstalleerd niet breed genoeg is voor de koelkast om erdoor te passen, bel dan de bevoegde dienst zodat deze de deuren van uw koelkast kan verwijderen en de koelkast zijdelings door de deur kan.

1. Installeer uw koelkast op een plaats waar ze gemakkelijk kan worden gebruikt.
2. Houd uw koelkast uit de buurt van warmtebronnen, vochtige plaatsen en direct zonlicht.
3. Er moet geschikte luchtventilatie rond uw koelkast zijn om een efficiënte werking te verkrijgen.

Als de koelkast in een uitsparing in de muur wordt geplaatst, moet er minstens 5 cm afstand zijn ten opzichte van het plafond en minstens 5 cm ten opzichte van de muur.

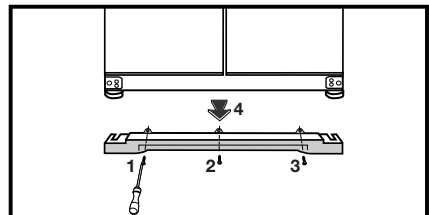
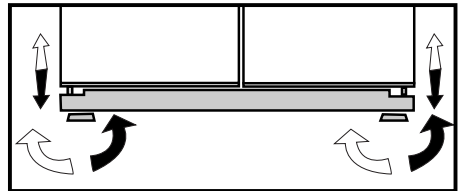
Als de vloer met een tapijt bedekt is, moet uw product op 2,5 cm van de vloer staan.

4. Plaats uw koelkast op een vlak vloeroppervlak om schokken te vermijden.
5. Plaats uw koelkast niet in omgevingstemperaturen onder 10 °C.

Vloerafstelling

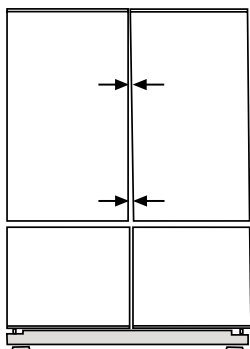
Wanneer uw koelkast niet waterpas staat;

1. U kan de ventilatiekap verwijderen door de schroeven los te maken zoals wordt aangetoond in de afbeelding voor de procedure. U kunt uw koelkast waterpas stellen door aan de stelvoetjes te draaien zoals getoond in de afbeelding. De hoek van het stelvoetje wordt verlaagd wanneer u in de richting van de zwarte pijl draait en verhoogd wanneer u in de tegenovergestelde richting draait. Wanneer iemand u hierbij helpt door de koelkast lichtjes op te tillen vereenvoudigt dit het proces.
2. Nadat het balansprobleem is verholpen, installeert u de ventilatiekap terug en maakt u de schroeven vast.

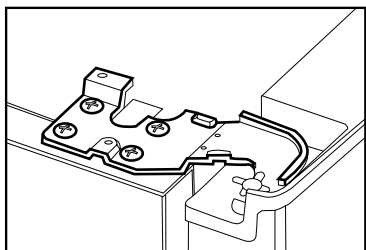


3. Verwijder de schroeven van de onderste ventilatiekap met een schroevendraaier van Philips.

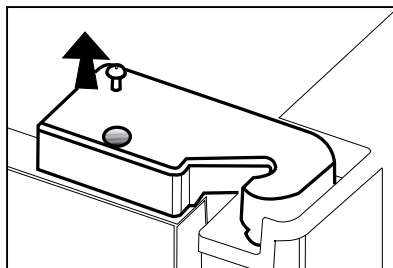
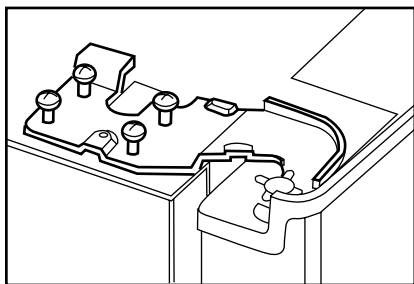
De afstand tussen de bovenste deur aanpassen



- U kunt de afstand tussen de deuren van het koelgedeelte aanpassen zoals weergegeven in de afbeeldingen.

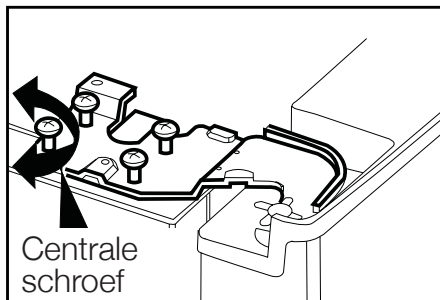


- Maak de deur die u hebt aangepast vast door de schroeven aan te draaien zonder de positie van de deur te wijzigen.

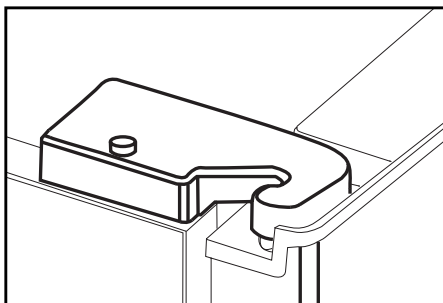


De deurscharpen moeten leeg zijn als u de deurhoogte aanpast.

- Verwijder met een schroevendraaier de schroef van het bovenste scharnierdeksel van de deur die u wilt aanpassen.



- Pas de deur desgewenst correct aan door de schroeven los te draaien.

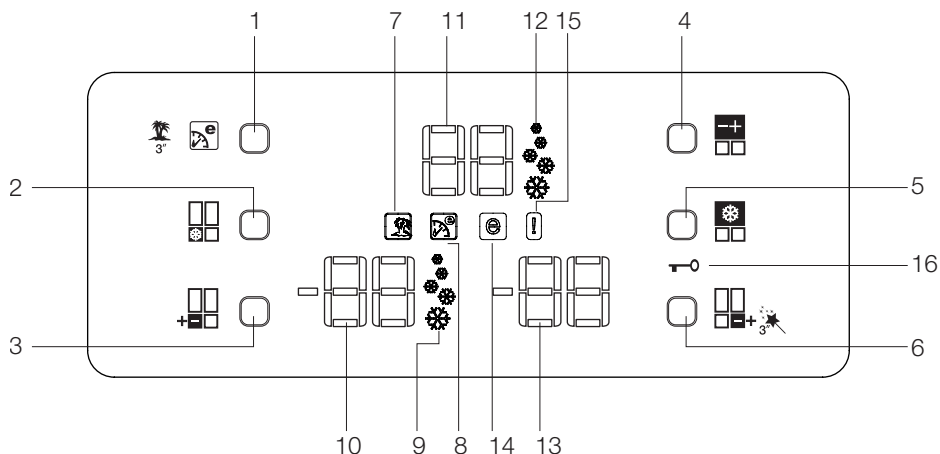


- Plaats het scharnierdeksel terug en maak het vast met de schroef.

4 Gebruik van uw koelkast

Display

Met dit display met drukknopbediening kan u de temperatuur regelen zonder de deur van uw koelkast openen. U hoeft enkel met de betreffende knop de temperatuur te regelen.



- | | | | |
|-----------|---|------------|--|
| 1. | Eco Extra/Vakantieknop | 10. | Indicator Temperatuur Diepvriesgedeelte |
| 2. | Fast Freeze-knop | 11. | Indicator Temperatuur koelgedeelte |
| 3. | Temperatuurregelaar diepvriesgedeelte | 12. | Indicator Quick Cool-functie (snel koelen) |
| 4. | Temperatuurregelaar koelgedeelte | 13. | Temperatuurindicator Multi Zone-bewaark |
| 5. | Quick Cool-knop (snel koelen) | 14. | Indicator Besparingsmodus |
| 6. | Temperatuurregelaar Multi Zone-bewaark | 15. | Indicator Errorstatus |
| 7. | Indicator Vakantiefunctie | 16. | Indicator Toetsvergrendeling |
| 8. | Indicator Eco Extra-functie | | |
| 9. | Indicator Quick Freeze-functie (snel vriezen) | | |

1. Eco Extra/Vakantieknop

Druk deze knop even in om de Eco Extra-functie te activeren. Houd deze knop 3 seconden in om de Vakantiefunctie te activeren. Duw deze knop opnieuw in om de gekozen functie te deactiveren.

2. Fast Freeze-knop

Druk deze knop even in om de Fast Freeze-functie te activeren. Duw deze knop opnieuw in om de gekozen functie te deactiveren.

3. Temperatuurregelaar diepvriesgedeelte

Druk deze knop in om de temperatuur van het diepvriesgedeelte in te stellen op respectievelijk -18, -20, -22, -24. Druk deze knop in om de gewenste temperatuur voor het diepvriesgedeelte in te stellen.

4. Temperatuurregelaar koelgedeelte

Druk deze knop in om de temperatuur van het koelkastgedeelte in te stellen op respectievelijk 8, 6, 4, 2, 8 Druk deze knop in om de gewenste temperatuur voor het diepvriesgedeelte in te stellen.

5. Quick Cool-knop (snel koelen)

Druk deze knop even in om de Quick Cool-functie te activeren. Duw deze knop opnieuw in om de gekozen functie te deactiveren.

6. Temperatuurregelaar Multi Zone-bewaarkast

U kan het Multi Zone-bewaarkast zowel als diepvriezer of koeler instellen. Houd de knop 3 seconden in om het Multi Zone-bewaarkast als diepvriezer of koeler in te stellen. Dit gedeelte is door de fabrikant ingesteld als diepvriesgedeelte.

Als het Multi Zone-bewaarkast als diepvriezer is ingesteld, dan zal de temperatuur van het Multi Zone-bewaarkast veranderen in respectievelijk -18, -20, -22, -24, -18..., elke keer als u op de knop drukt. Als het Multi Zone-bewaarkast als koelkast is ingesteld, dan zal de temperatuur van het Multi Zone-bewaarkast veranderen in respectievelijk 10, 8, 6, 4, 2, 0, -6..., elke keer als u op de knop drukt.

7. Indicator Vakantiefunctie

Geeft aan dat de vakantiefunctie actief is. Als deze functie actief is, verschijnt “- -” op de indicator van het koelgedeelte en zal dit gedeelte niet koelen. Andere gedeeltes zullen worden gekoeld volgens de ingestelde temperaturen. Duw de betreffende knop opnieuw in om de gekozen functie te deactiveren.

8. Indicator Eco Extra-functie

Geeft aan dat de Eco Extra-functie actief is. Als deze functie actief is, zal uw koelkast automatisch energie-efficiënt koelen tijdens periodes waarin de koelkast het minst verbruikt. De Besparingsindicator zal actief zijn als de koelkast energie-efficiënt koelt. Duw de betreffende knop opnieuw in om de gekozen functie te deactiveren.

9. Indicator Quick Freeze-functie (snel vriezen)

Geeft aan dat de Quick Freezer-functie actief is. Gebruik deze functie als u vers voedsel in het diepvriesgedeelte plaatst of als u ijs nodig heeft. Als deze functie actief is, zal uw koelkast voor 6 uur werken zonder te stoppen.

Duw de betreffende knop opnieuw in om de gekozen functie te deactiveren.

10. Indicator Temperatuur Diepvriesgedeelte

Geeft de ingestelde temperatuur voor het diepvriesgedeelte aan.

11. Indicator Temperatuur Koelgedeelte

Geeft de ingestelde temperatuur voor het koelgedeelte aan.

12. Indicator Quick Cool-functie

Geeft aan dat de Quick Cool-functie actief is. Gebruik deze functie als u vers voedsel in het koelgedeelte plaatst of als u uw voedsel snel wilt koelen. Als deze functie actief is, zal uw koelkast voor 2 uur werken zonder te stoppen.

Duw de betreffende knop opnieuw in om de gekozen functie te deactiveren.

13. Temperatuurindicator Multi Zone-bewaarvak

Geeft de temperatuur van het Multi Zone-bewaarvak aan.

14. Indicator Besparingsmodus

Geeft aan dat de koelkast werkt in de energie-efficiënte modus. Temperatuur van diepvriesgedeelte

Deze indicator zal actief zijn als de functie is ingesteld op -18 of als de koelkast energie-efficiënt koelt d.m.v. de Eco Extra-functie.

15. Indicator Errorstatus

Als uw koelkast niet goed koelt of als er een storing aan de sensor is, zal deze indicator worden geactiveerd. Als deze indicator actief is, zal de temperatuurindicator van het diepvriesgedeelte "E" weergeven en de temperatuurindicator van het koelgedeelte zal nummers zoals "1,2,3..." weergeven. Aan de hand van deze nummers op de indicator kan het servicepersoneel afleiden wat de fout is.

16. Indicator Toetsvergrendeling

Gebruik deze functie als u niet wilt dat de temperatuurregeling van uw koelkast verandert. Houd de Quick Cool-knop en de temperatuurregelaar van het Multi Zone-bewaarvak tegelijkertijd 3 seconden in om deze functie te activeren.

Duw de betreffende knop opnieuw in om deze functie te deactiveren.

Deur Open Alarm:

Als de deur van het koelgedeelte of de deur van het **Multi Zone**-bewaarvak gedurende minimaal 1 minuut blijft open staan, wordt het Deur Open Alarm geactiveerd. Druk op een knop naar keuze op de indicator of sluit de deur om het alarm uit te schakelen.

Eierrek

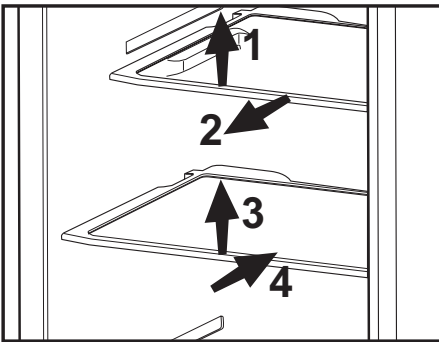
- U kunt het eierrek op het gewenste deurschap of binnenschap plaatsen.
- Plaats het eierrek nooit in het diepvriesgedeelte.

Glijdende schappen

- De glijdende schappen kunnen uitgetrokken worden door deze lichtjes aan de voorzijde naar boven te tillen en naar achter en voor te bewegen. De schappen stoppen op een bepaald punt wanneer deze naar voor worden getrokken. Zo kunt u etenswaren achterin het schap eenvoudig pakken. Wanneer het schap vervolgens lichtjes naar boven wordt getild tot het tweede stoppunt, kan het schap worden losgekoppeld.

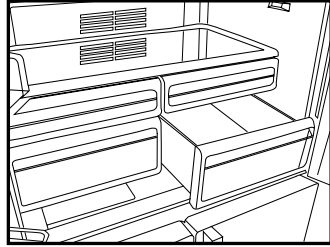
Het schap moet aan de onderkant stevig worden vastgehouden om te voorkomen dat het omkantelt. U plaatst het schap op de rails aan de binnenkant van de koelkast en plaatst het een niveau lager of hoger.

Om goed te passen, moet het schap helemaal naar achter worden gedrukt.



Groentelade

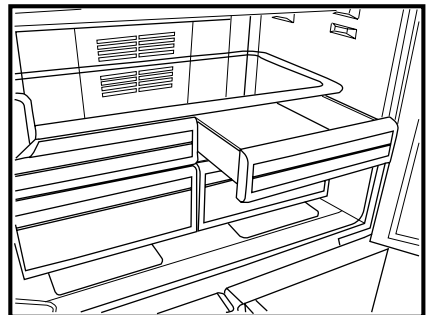
De groentelade van uw koelkast is speciaal bedoeld om uw groenten vers te houden, zonder dat deze vocht verliezen. Daarom is er een koude luchtcirculatie rond de groentelade in het algemeen.



Koelergedeelte

Koelergedeeltes zorgt dat voedsel klaar is voor het invriezen. U kan deze gedeeltes ook gebruiken om uw voedsel bij een temperatuur op te slaan die enkele graden kouder is dan die van het koelkastgedeelte.

U kan het binnenvolume van uw koelkast vergroten door een van de bewaarvakken voor snacks te verwijderen. Om dit te doen trekt u het bewaarvak naar u toe, het bewaarvak zal tegen de stopper leunen en stoppen. Dit bewaarvak zal loskomen als u het ongeveer 1 cm omhoog tilt en het naar u toe trekt.



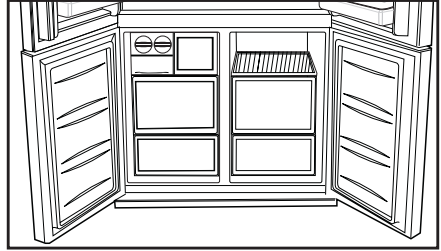
Draaiend Middengedeelte

Het draaiend middengedeelte zorgt ervoor dat de koude lucht in uw koelkast blijft. Het draaiend middengedeelte helpt bij het sluiten omdat de pakkingen op de deur op het oppervlak van het draaiend middengedeelte duwen als de deuren van het koelgedeelte zijn gesloten. Een andere reden dat uw koelkast met een draaiend middengedeelte is uitgerust, is dat deze het nettovolume van het koelgedeelte verhoogt. Standaard middengedeeltes nemen wat onbruikbare volume in de koelkast in. Het draaiend middengedeelte moet worden gesloten als de linker deur van het koelgedeelte open is. Het mag niet manueel worden geopend, het draait door d.m.v. een plastic onderdeel dat op de kast is gemonteerd.

Multi Zone-bewaarvak

Het Multi Zone-bewaarvak van uw koelkast kan in de gewenste stand gebruikt worden door de temperaturen in te stellen op koelkasttemperaturen (2/4/6/8 °C) of diepvriestemperaturen (-18/-20/-22/-24). U kunt de gewenste temperatuur in het bewaarvak behouden met de "Multi Zone-temperatuurregelaar". De temperatuur van het Multi Zone-bewaarvak kan ingesteld worden op 0 en 10 graden naast de temperaturen voor het koelgedeelte en op -6 graden naast de temperaturen van het diepvriesgedeelte. 0 graden wordt gebruikt om delicatessen langer te bewaren en -6 graden wordt gebruikt om vlees tot 2 weken in een makkelijk snijdbare staat te bewaren.

i De functie om te schakelen tussen koelkastvak of diepvriesvak wordt geleverd door een koelement in het gesloten deel (Compressorvak) achter de koelkast. Tijdens de werking van dit element zijn geluiden hoorbaar die gelijken op het geluid van seconden die wegtikken in een analoge klok. Dit is normaal en geen defect.



Blauw licht

Voedingsmiddelen die worden bewaard in de groenteladen en met een blauw licht worden verlicht, blijven doorgaan met hun fotosynthese door middel van het golflengte-effect van het blauwe licht. Zo behouden zij hun versheid en neemt hun vitaminegehalte toe.



5 Onderhoud en reiniging

- ⚠ Gebruik nooit benzine, benzeen of gelijksoortige substanties voor het reinigen.
- ⚠ We raden aan om de stekker van het product uit te trekken voordat u met schoonmaken begint.
- Gebruikt nooit scherpe voorwerpen, zeep, huishoudelijke reinigingsmiddelen en materialen met afwasmiddel of boenwas voor het poetsen.
- Maak de binnenzijde van uw koelkast schoon met handwarm water en droog deze goed af.
- Veeg de binnenzijde schoon met een vochtige doek, uitgewrongen in een oplossing van één koffielepel natriumcarbonaat op ½ lt. water, vervolgens goed drogen.
- Zorg ervoor dat er geen water in het lampkastje en andere elektrische onderdelen terecht komt.
- Als de koelkast voor een lange periode niet wordt gebruikt, schakel deze dan uit, verwijder al de etenswaren, maak de unit schoon en laat de deur op een kier staan.
- Controleer regelmatig of de deurstrippen schoon zijn en of er geen deeltjes op vast zitten.
- Neem alle producten uit de deurschappen, til de schappen op en verwijder deze uit de deur.

Bescherming van de Plastic Oppervlakken

- Plaats geen olie of in olie bereide maaltijden in open bakjes in de koelkast. Deze kunnen de plastic oppervlakken van uw koelkast beschadigen. In het geval olie wordt gemorst of op de plastic oppervlakke terecht komt, onmiddellijk deze plek reinigen met lauw water en drogen.

6 Aanbevolen oplossingen voor problemen

Controleer de volgende punten voordat u de onderhoudsdienst belt. Dit kan u tijd en geld besparen. Deze lijst omvat regelmatige klachten die niet voortkomen uit defect vakmanschap of materiaalgebruik. Het is mogelijk dat bepaalde functies die hier beschreven zijn niet tot uw product behoren.

De koelkast werkt niet
Zit de stekker van de koelkast goed in de wandcontactdoos? Steek de stekker in het stopcontact. Is de zekering van de contactdoos waaraan de koelkast is aangesloten of de hoofdzekering gesprongen? Controleer de zekering.
Condensvorming langs de wand van het koelkastgedeelte.
Zeer koude omgevingsomstandigheden. Regelmatig openen en sluiten van de deur. Zeer vochtige omgevingsomstandigheden. Bewaren van levensmiddelen met vloeistof in open bakjes. De deur staat op een kier. Zet de thermostaat kouder. Zorg dat de deur minder lang open staat of dat deze minder vaak wordt geopend. Dek de eetwaar die in open bakjes wordt bewaard af met een daarvoor geschikt materiaal. Veeg condens af met een droge doek en controleer of condensvorming aanhoudt.
De compressor draait niet
Thermische bescherming van de compressor kan springen gedurende plotselinge stroomuitval of afsluiting van de stroomtoevoer wanneer de druk van het koelmiddel in het koelsysteem van de koelkast niet in balans is. De koelkast gaat na ongeveer 6 minuten draaien. Neem contact op met de onderhoudsdienst wanneer de koelkast na deze periode niet start. De koelkast zit in een ontdooicyclus. Dit is normaal voor volledig automatisch ontdooiende koelkast. Ontdooicyclus vindt periodiek plaats. De stekker van uw koelkast steekt niet in het stopcontact. Controleer of de stekker stevig in het stopcontact is gestoken. Zijn de temperatuurinstellingen goed ingesteld? Er is een stroomstoring. Bel uw elektriciteitsleverancier.
De koelkast werkt frequent of gedurende lange tijd.

Uw nieuwe koelkast kan breder zijn dan de vorige. Dit is normaal. Grote koelkasten werken gedurende langere tijd.

De omgevingstemperatuur kan hoog zijn. Dit is normaal.

De stekker van de koelkast kan onlangs ingestoken zijn of de koelkast kan zijn volgeladen met etenswaren. Het compleet afkoelen van de koelkast kan enkele uren langer in beslag nemen.

Grote hoeveelheden warm levensmiddelen kunnen recentelijk in de koelkast zijn geplaatst. Warme levensmiddelen maken dat de koelkast langer werkt tot deze eetwaar de veilige bewaartemperatuur heeft bereikt.

Deuren kunnen regelmatig geopend zijn of gedurende enige tijd op een kier hebben gestaan. De warme lucht die in de koelkast is binnengekomen maakt dat de koelkast langer werkt. Open de deuren minder vaak.

De deur van het diepvries- of koelgedeelte kan op een kier hebben gestaan. Controleer of de deuren goed gesloten zijn.

De koelkast werkt frequent of gedurende lange tijd.

De koelkast is zeer koud ingesteld. Stel de koelkasttemperatuur hoger en wacht tot de temperatuur wordt bereikt.

Deurafdichting van de koelkast of diepvriezer kan vuil, versleten, gebroken of niet goed geplaatst zijn. Maak de afdichting schoon of vervang deze. Een beschadigde/ gebroken afdichting maakt dat de koelkast langer moet werken om de huidige temperatuur te handhaven.

Diepvriestemperatuur is erg laag terwijl de koelkasttemperatuur voldoende is.

De diepvriestemperatuur is zeer koud ingesteld. Stel de diepvriezertemperatuur hoger in en controleer.

Koelkasttemperatuur is erg laag terwijl de diepvries temperatuur voldoende is.

De koelkasttemperatuur is zeer koud ingesteld. Stel de koelkasttemperatuur hoger in en controleer.

Etenswaren die in laden van koelgedeelte worden bewaard, bevroren.

De koelkasttemperatuur is zeer koud ingesteld. Stel de koelkasttemperatuur hoger in en controleer.

Temperatuur in de koelkast of diepvriezer is zeer hoog.

De koelkasttemperatuur is zeer hoog ingesteld. Koelkastinstelling is van invloed op de temperatuur van de diepvriezer. Verander de temperatuur van de koelkast of diepvriezer totdat de temperatuur van de koelkast of diepvriezer het gewenste niveau bereikt.

Deuren kunnen regelmatig geopend zijn of gedurende enige tijd op een kier hebben gestaan. Wanneer de deuren geopend worden komt er warme lucht in de koelkast of diepvriezer. Open de deuren minder vaak.

De deur kan op een kier hebben gestaan. Sluit de deur volledig.

Grote hoeveelheden warm levensmiddelen kunnen recentelijk in de koelkast zijn geplaatst. Wacht tot de koelkast of diepvriezer de gewenste temperatuur heeft bereikt.

De koelkast kan recentelijk ingeschakeld zijn. Als gevolg van de afmeting, neemt het volledig afkoelen van de koelkast enige tijd in beslag.

Het werkingsgeluid neemt toe wanneer de koelkast werkt.
De werkingskenmerken van de koelkast kunnen veranderen als gevolg van wijzigingen in de omgevingstemperatuur. Dit is normaal en geen defect.
Vibratie of geluid.
De vloer is niet gelijk of is zwak. De koelkast kantelt een beetje wanneer langzaam wordt bewogen. Zorg dat de vloer gelijk en stevig is en de koelkast kan dragen. Het geluid kan worden veroorzaakt door voorwerpen die op de koelkast zijn geplaatst. Dergelijke voorwerpen moeten vanaf de bovenkant van de koelkast verwijderd worden.
Een geluid van morsende of sprayende vloeistof.
Vloeistof- en gasstromen vinden plaats conform de werkingsprincipes van uw koelkast. Dit is normaal en geen defect.
Een geluid van wind die blaast.
Er worden luchtactivators (ventilatoren) gebruikt om de koelkast efficiënt af te koelen. Dit is normaal en geen defect.
Condens op de binnenwanden van de koelkast.
Met warm en vochtig weer neemt ijs- en condensvorming toe. Dit is normaal en geen defect. De deuren staan op een kier. Controleer of de deuren volledig gesloten zijn. Deuren kunnen regelmatig geopend zijn of gedurende enige tijd open hebben gestaan. Open de deur minder vaak.
Vocht aan de buitenkant van de koelkast of tussen de deuren.
Het weer kan vochtig zijn. Dit is normaal bij vochtig weer. Wanneer de vochtigheid minder wordt, zal de condens verdwijnen.
Slechte geur binnenin de koelkast.
De binnenkant van de koelkast moet gereinigd worden. Maak de binnenkant van de koelkast schoon met een spons met warm of sodawater. Sommige bakjes of verpakkingsmaterialen kunnen de geur veroorzaken. Gebruik een ander bakje of ander soort verpakkingsmateriaal.
De deur(en) blijft (blijven) niet gesloten.
Het kan zijn dan voedselpakketjes maken dat de deur niet sluit. Verplaats de pakketjes die de deur belemmeren. De koelkast staat niet volledig waterpas op de vloer en wiebelt wanneer deze bewogen wordt. Stel de hoogteschroeven anders in. De vloer is niet gelijk of stevig. Zorg dat de vloer vlak is en de koelkast kan dragen.
Groenteladen zitten vast.
De levensmiddelen kunnen de bovenzijde van de lade raken. Herschik de levensmiddelen in de lade.

Kérjük, előbb olvassa el a használati útmutatót!

Tisztelt Vásárló!

Bízunk benne, hogy termékünk, mely egy modern gyárban készült, és a legaprólékosabb minőségirányítási eljárások alapján lett tesztelve, hatékony szolgáltatást fog biztosítani az Ön számára.




Ehhez azt javasoljuk, hogy használat előtt alaposan olvassa el a teljes használati útmutatót, és azt ne dobja ki, mert a jövőben még szüksége lehet rá.

Ez a használati útmutató

- Segít a készüléket gyors és biztonságos módon használni.
 - A termék beszerelése és használata előtt olvassa el a használati útmutatót.
 - Tartsa be az utasításokat, főleg azokat, melyek a biztonságra vonatkozó információkat.
 - A használati útmutatót tartsa olyan helyen, ahol a jövőben könnyen hozzá tud férni.
 - Olvassa el a többi dokumentumot is, melyet a termékhez kapott.
- Ne feledje, ez a használati útmutató más modellekre is érvényes lehet.

Szimbólumok és leírásuk

Ez a használati útmutató a következő szimbólumokat tartalmazza:

-  Fontos információ vagy hasznos tipp.
-  Figyelmeztetés élet vagy tulajdonra veszélyes körülményekre.
-  Figyelmeztetés elektromos feszültség miatt.



A termék az elektromos és elektronikus szemét szelektív gyűjtés jelét viseli (WEEE).

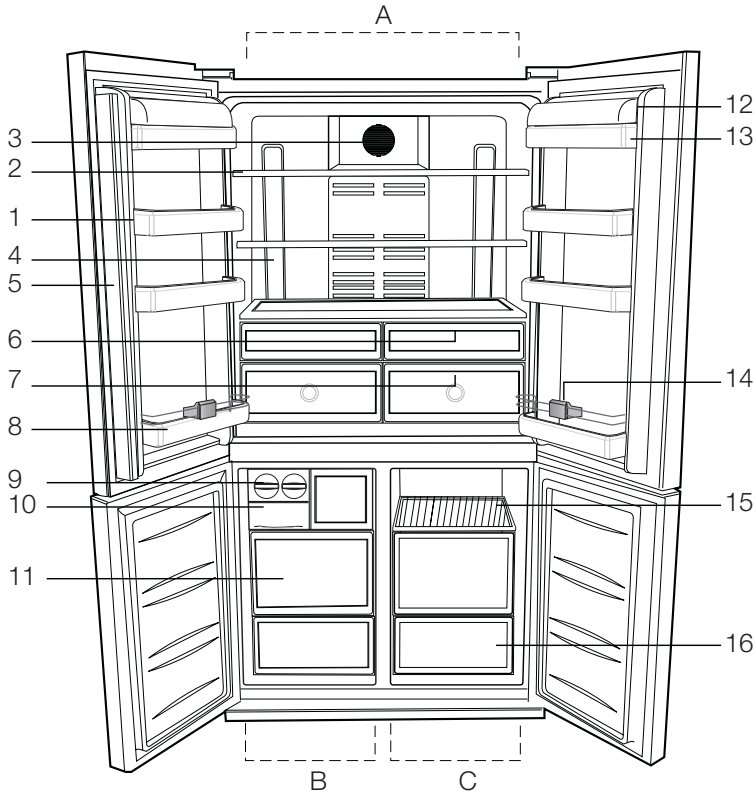
Ennek jelentése, hogy a terméket a 2002/96/EC Európai Direktívának megfelelően kell kezelni újrafelhasználás vagy szétszerelés esetén, hogy minimalizálja a környezeti hatását. Bővebb útmutatásért forduljon a helyi vagy körzeti illetékesekhez.

A szelektív gyűjtésből kihagyott elektronikai termékek veszélyesek a környezetre és az emberi egészségre, veszélyes anyagok jelenléte miatt.

TARTALOMJEGYZÉK

1 Hűtőszekrény	3	4 A hűtőszekrény használata	12
2 Fontos biztonsági figyelmeztetések	4	Kijelző panel	12
Rendeltetésszerű használat	4	Nyitott ajtó riasztás:	14
Általános tudnivalók	4	Tojástartó.....	15
Gyermekbiztonság.....	6	Kihúzható polcok.....	15
HCA Figyelmeztetés	6	Fiók	15
Az energiatakarékosság jegyében		Hűtőrekesz	15
teendő lépések.....	7	Forgó középső rész	16
Javaslatok a friss étel rekeszhez	7	Multi Zone tárolórekesz	16
		Kék világítás	16
3 Beüzemelés	8	5 Karbantartás és tisztítás	17
Előkészületek	8	A műanyag felületek védelme	17
A hűtő szállításakor figyelembe			
veendő dolgok.....	8	6 A problémák javasolt megoldása	18
A hűtő üzembe helyezése előtt	8		
Elektromos összeköttetés.....	9		
A csomagolás leselejtezése	9		
A régi hűtő leselejtezése	9		
Elhelyezés és üzembe helyezés	9		
A berendezés stabilizálása.....	10		
A rés nagyságának beállítása a felső			
ajtónál	11		

1 Hűtőszekrénye



A- Hűtőszekrény rekesz

B- Fagyasztórekesz

C- Multi Zone

1- Hűtőrekesz ajtópolcai

2- Hűtőrekesz állítható polcai

3- Diffúzófedő

4- Lámpák

5- Forgó középső rész

6- Hűtőrekesz

7- Fiók

8- Üvegtartó polc

9- Icematic

10- Jégdoboz

11- Fagyasztott-étel tároló rekeszek

12- Vaj- és sajtároló polc fedele

13- Vaj- és sajtároló polc

14- Palacktartó

15- Multi Zone rekesz polcai

16- Multi Zone rekesz

i A használati útmutatóban található képek szemléltető jellegűek, nem a valódi terméket ábrázolják. Amennyiben olyan részeket talál, melyek nem találhatók meg, az Ön által megvásárolt termékben, akkor azok más modellekre vonatkoznak.

2 Fontos biztonsági figyelmeztetések

Kérjük, olvassa el az alábbi információkat. Amennyiben ezeket nem tartja be, személyi sérülés vagy anyagi kár keletkezhet. Ezenkívül valamennyi garancia érvényét veszti. A készülék élettartama 10 év. Ennyi ideig biztosítunk pótalkatrészeket a készülékhez, amennyiben azt rendeltetésszerűen használja.

Rendeltetésszerű használat

- A készülék kizárólag háztartásokban és egyéb hasonló helyeken használható, pl.:
 - boltok, irodák és egyéb munkakörnyezetek konyhái;
 - farmok, és hotelben, motelben vagy egyéb lakókönyezetben lakó vendégek;
 - bed and breakfast típusú környezetek;
 - vendéglátás és hasonló, nem kereskedelmi alkalmazások.
- A terméket ne használja szabadban. A termék nem alkalmas a szabadban való üzemelésre, még fedett helyen sem.

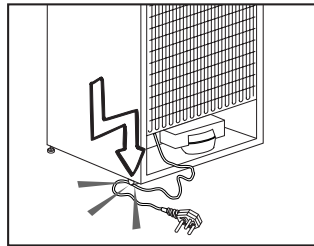
Általános tudnivalók

- A termék leselejtezésével/kidobásával kapcsolatban kérjük, érdeklődjön a hivatalos szolgáltatónál.
- A hűtővel kapcsolatos kérdésekkel és problémákkal kérjük, forduljon a hivatalos szervizhez. Saját maga, ill. nem hivatásos személyek nem javíthatják a hűtőt a hivatalos szerviz tájékoztatása nélkül.
- A fagyasztóból kivéve ne egye meg azonnal a jégkrémet vagy a jégkockákat! (Ez fagyási sérülést okozhat a szájban.)

- A fagyasztóba ne helyezzen üveges vagy kannás italokat. A fagyasztóban ezek megrepedhetnek.
- A fagyott ételeket ne fogja meg kézzel, mert hozzáragadhatnak a kezéhez.
- Permetes tisztítószerrel sose használjon a hűtő tisztításánál. Ez ugyanis rövidzárlatot vagy áramütést okozhat a hűtő elektromos alkatrészeivel való érintkezéskor.
- Soha ne használja a hűtő egyes elemeit, például az ajtót támasztékként vagy lépcsőként.
- Ne helyezzen el elektromos készüléket a hűtőben.
- Ne rongálja meg a hűtőkört, ahol a hűtőfolyadék áramlik, fúró vagy vágó eszközökkel. A párologtató gázvezetékeinek, a csőtoldalékok vagy a csőburkolatok megsérülésekor kifröccsenő hűtőfolyadék bőrirritációt és szemsérülést okozhat.
- A hűtő szellőzőnyílásait ne takarja le vagy tömje be semmivel.
- Az elektromos készülékek javítását bízza szakemberre. Az inkompetens személyek által elvégzett javítások veszélyforrást jelenthetnek.
- Meghibásodás, ill. karbantartási vagy javítási munkálatok során válassza le a hűtőt az elektromos hálózatról a megfelelő biztosíték kikapcsolásával vagy a készülék kihúzásával.

- A hűtőt a dugónál fogva húzza ki a konnektorból.
- A magas alkoholtartalmú italokat lezárva és állítva helyezze el a hűtőben.
- **Ne tároljon a készülékben gyúlékony anyagokat, pl. aeroszolos dobozokat.**
- Csak olyan mechanikus eszközöket vagy egyéb módszereket használjon a leolvasztás felgyorsításához, amelyeket a gyártó ajánl.
- A készüléket nem tervezték korlátozott fizikai, érzékelő vagy mentális képességekkel rendelkező, illetve gyakorlatlan személy által történő használatra, kivéve, ha az ilyen személy felügyeletét valamely, annak biztonságáért felelős személy látja el, illetve ha ez a személy a készülék használatára vonatkozóan útmutatást biztosít.
- Ha a hűtő sérült, ne használja azt. Amennyiben kétségei vannak, forduljon a szervizhez.
- A hűtő elektromos biztonsága csak akkor biztosított, ha lakása földelőrendszere megfelel az előírásoknak.
- Ne tegye ki a terméket esőnek, hónak, napsütésnek vagy szélnek, mert ez kárt tehet a termék elektromos rendszerében.
- Sérült tápkábel stb. esetén vegye fel a kapcsolatot a hivatalos szervizzel, hogy elkerülje a veszélyforrást.
- Beszerelés közben ne dugja be a hűtőt a konnektorbá. Ellenkező esetben súlyos vagy halálos sérülést szenvedhet.
- A hűtőszekrény kizárólag élelmiszerek tárolásához lett tervezve. Egyéb célra nem használható.

- A termék műszaki leírását tartalmazó címke a hűtőszekrény bal-belső részén található.
- A hűtőszekrényt ne kösse energiamegtakarító rendszerekhez, mert ez károsíthatja a terméket.
- Amennyiben a hűtőszekrény kék fényvel rendelkezik, ne nézzen a fénybe optikai eszközökön keresztül.
- Amennyiben kihúzott egy manuálisan vezérelt hűtőt, visszadugás előtt várjon legalább 5 percet.
- A hűtőszekrény eladásakor a használati útmutatót is adja oda az új tulajdonosnak.
- A hűtőszekrény mozgatásakor figyeljen oda, nehogy kárt okozzon a tápkábelben. A tűz megelőzése érdekében a tápkábel nem lehet megcsavarodva. Ne helyezzen nehéz tárgyakat a tápkábelre. Ha a hűtőszekrény be van dugva, ne fogja meg nedves kézzel a konnektort.



- A hűtőszekrényt ne csatlakoztassa laza konnektorbá.
- Biztonsági okokból ne öntsön közvetlenül vizet a hűtőszekrény belső vagy külső részeire.
- Ne fújjon ki gyúlékony anyagokat, pl. propán gáz, stb. a hűtőszekrény közelében, mert tűz keletkezhet, vagy fellobbanhat.
- Ne helyezzen vízzel töltött tárgyakat a hűtőszekrény tetejére, mert ez áramütést vagy tüzet okozhat.

- Ne terhelje túl a hűtőszekrényt túlzottan sok élelmiszerrel. A túlzottan sok élelmiszer az ajtónyitás következtében kieshet, mely sérülést vagy a hűtőszekrény károsodását okozhatja. Ne helyezzen semmiféle tárgyat a hűtőszekrény tetejére, mert az ajtó kinyitásakor vagy bezárásakor leeshetnek.
- Az olyan anyagok, melyek tárolásához egy megadott hőmérsékletre van szükség, pl. gyógyszerek, kísérleti anyagok, stb. nem tárolhatók a hűtőszekrényben.
- Amennyiben a hosszabb ideig nem használja a hűtőszekrényt, húzza ki a konnektorból. A tápkábel szigetelésének hibája tüzet okozhat.
- A dugó tűskéjét rendszeresen tisztítani kell, különben tüzet okozhat.
- A hűtőszekrény elmozdulhat, ha a beállító láb nincs megfelelően a padlóra helyezve. A beállítható lábakkal elképzelhető, hogy a hűtőszekrény nem fog megfelelően állni a padlón.
- Amennyiben a hűtőszekrény ajtaja fogantyúval is rendelkezik, ne szállítsa a hűtőszekrényt a fogantyúnál fogva, mert az leszakadhat.
- Amennyiben a készüléket másik hűtőszekrény vagy fagyasztó közelében kell használnia, a két készülék közt legalább 8 cm helyet kell hagyni. Ellenkező esetben az egymás melletti felületeken kondenzáció jelenik meg.

- A víznyomás nem csökkenhet 1 bar nyomás alá és nem emelkedhet 8 bar nyomás fölé.

- Kizárólag ivóvizet használjon.

Gyermekbiztonság

- Amennyiben az ajtó zárral is rendelkezik, a kulcsot tartsa távol a gyermekektől.
- Biztosítani kell a gyermekek felügyeletét, hogy azok ne játsszanak a készülékkel

HCA Figyelmeztetés

Ha terméke rendelkezik olyan hűtő rendszerrel, mely R600a-t tartalmaz:

Ez a gáz gyúlékony. Ennek következtében figyeljen oda, hogy szállítás és használat közben ne tegyen kárt a hűtőrendszerben. Sérülés esetén tartsa távol a terméket a lehetséges tűzforrásoktól, melynek hatására a készülék begyulladhat, továbbá folyamatosan szellőztesse a szobát, ahol a készüléket elhelyezte.

Ha terméke rendelkezik olyan hűtő rendszerrel, mely R134a-t tartalmaz, hagyja figyelmen kívül a figyelmeztetést.

A terméke gyártásakor használt gázt a termék bal belső részén található táblán láthatja.

Soha ne dobja tűzbe a terméket.

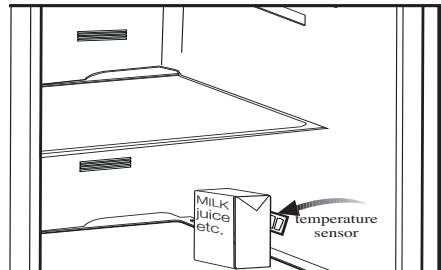
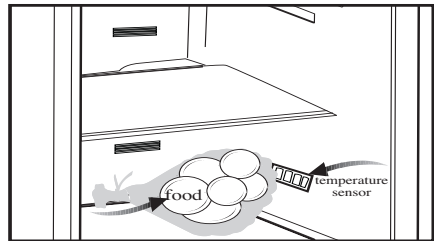
Az energiatakarékosság jegyében teendő lépések

- Ne hagyja sokáig nyitva a hűtő ajtaját.
- Ne tegyen meleg ételt vagy italt a hűtőbe.
- Csak annyi ételt/italt tegyen a hűtőbe, hogy az ne akadályozza a levegő cirkulációt.
- Ne helyezze a hűtőt olyan helyre, ahol azt közvetlen napsütés éri, vagy ahol a közelben hőforrás van (pl. sütő, mosogatógép vagy radiátor).
- Ügyeljen rá, hogy az ételeket zárt edényben tárolja a hűtőben.
- A hűtőszekrény fagyasztójába akkor helyezhető a legtöbb élelmiszer, ha a fagyasztórekesz polcát vagy fiókját eltávolítja. A hűtőszekrény energiafogyasztása úgy került meghatározásra, hogy a fagyasztórekesz polca vagy fiókja el volt távolítva, miközben a hűtőszekrény maximális mennyiségű élelmiszerrel volt feltöltve. A polc vagy a fiók használata esetén, az élelmiszerek kisebb mérete miatt nem áll nem az élelmiszerek megfagyásának veszélye.

Javaslatok a friss étel rekeszhez

* OPCIONÁLIS

- Kérjük, ne hagyja, hogy az étel hozzáérjen a friss étel rekeszben lévő hőmérsékletérzékelőhöz. A friss étel rekesz ideális hőmérsékletének fenntartásához az érzékelő nem érhet hozzá az ételhez.
- Ne tegyen meleg ételt a készülékbe.



3 Beüzemelés

Felhívjuk rá figyelmét, hogy a gyártó nem vállal felelősséget a jelen útmutatóban foglalt információk figyelmen kívül hagyásáért.

Előkészületek

- A hűtőt legalább 30 cm-re kell elhelyezni minden hőforrástól (pl. kandalló, sütő, főzőlap), és legalább 5 cm-re az elektromos sütőtől. Ezenkívül óvni kell a közvetlen napsütéstől is.
- A helyiségben, ahol a hűtőt el kívánja helyezni, legalább 10 °C-os hőmérsékletnek kell lennie. Ennél hűvösebb helyen a hűtő optimális működését nem tudjuk garantálni.
- Kérjük, ügyeljen rá, hogy a hűtő belseje alaposan meg legyen tisztítva.
- Ha két hűtőt kíván egymás mellett elhelyezni, kérjük, hagyjon legalább 2 cm helyet közöttük.
- A hűtő első beüzemelésekor kérjük, tartsa be az alábbiakat az első hat óra alatt.
 - Ne nyitogassa gyakran az ajtót.
 - Ne tegyen ételt a hűtőbe.
 - Ne húzza ki a hűtőt. Áramkimaradás esetén kérjük, tekintse meg az "Problémák javasolt megoldása" c. részt.
- Órizza meg az eredeti csomagolást, hogy a későbbiekben tudja miben szállítani a hűtőt.

A hűtő szállításakor figyelembe veendő dolgok

1. Szállítás előtt ürítse ki és tisztítsa ki a hűtőt.
2. A hűtő becsomagolása előtt a polcokat, kiegészítőket, fiókokat stb. rögzíteni kell szigszalaggal.
3. A csomagolást szigszalaggal és erős madzaggal össze kell fogni, és a csomagoláson feltüntetett szabályokat be kell tartani.

Ne feledje...

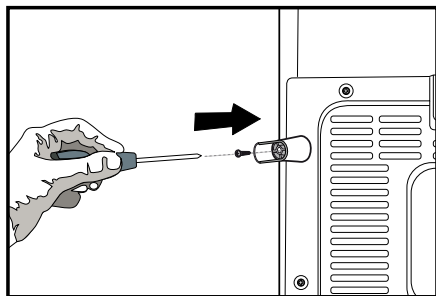
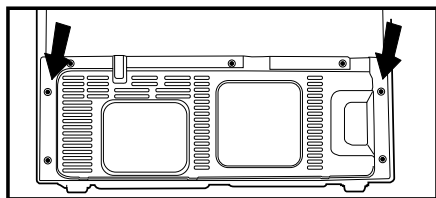
Minden újrahasznosított anyag nélkülözhetetlen a természet és nemzeti erőforrásaink számára.

Amennyiben szeretne részt venni a csomagolóanyagok újrahasznosításában, további információkat a környezetvédelmi szervektől vagy a helyi hatóságoktól szerezhet.

A hűtő üzembe helyezése előtt

A hűtő használatbavétele előtt ellenőrizze az alábbiakat:

1. A hűtő belseje száraz és a levegő szabadon tud áramolni a hátsó részén.
2. A következő képen látható módon helyezze a 2 műanyag éket a hátsó ventilátorra. Csavarozza ki a jelenlegieket, és használja azokat a csavarokat, amelyek az ékeket tartalmazó zacskóban vannak. A műanyag ékek segítenek megtartani a szükséges távolságot a hűtő és a fal között, és így a levegő szabadon tud áramolni.



3. A hűtőszekrény belsejét a "Karbantartás és tisztítás" c. fejezetben foglaltak szerint tisztítsa.
4. A hűtő be van dugva a konnektorba. Ha az ajtó nyitva van, a megfelelő belső világítás bekapcsol.
5. Hangot fog hallani, amint a kompresszor beindul. A hűtőrendszerben lévő folyadékok és gázok hangja akkor is hallható, ha a kompresszor nem üzemel.
6. Lehetséges, hogy a hűtő elülső éleit melegnek érzi. Ez normális jelenség. Ezek a részek azért melegednek fel, hogy így elejét vegyék a páralecsapódásnak.

Elektromos összeköttetés

A hűtőszekrényt egy olyan földelt aljzathoz csatlakoztassa, mely megfelelő teljesítményű biztosítókkal rendelkezik.

Fontos:

- A csatlakozásnak meg kell felelnie az országos normáknak.
- Ügyeljen rá, hogy a tápkábel könnyen hozzáférhető legyen a hűtő elhelyezése után.
- A meghatározott feszültség értéknek meg kell egyeznie a hálózati feszültség értékével.
- Hosszabbítót és elosztót ne használjon.

⚠ A sérült tápkábel cseréjét bízza szakemberre.

⚠ A berendezést hibásan ne üzemeltesse! Ilyenkor ugyanis áramütés veszélye áll fenn!

A csomagolás leselejtezése

A csomagolóanyagok veszélyt jelenthetnek a gyermekekre nézve. Ezért tartsa a csomagolóanyagokat gyermekektől távol, vagy selejtezze le azokat a hulladékokra vonatkozó utasítások szerint. A csomagolóanyagokat ne háztartási hulladékként kezelje.

A hűtő csomagolóanyaga újrahasznosítható anyagokból készült.

A régi hűtő leselejtezése

A hűtőt úgy selejtezze le, hogy ezzel ne okozzon kárt a környezetnek.

- A hűtő leselejtezésével kapcsolatban bővebb információt a hivatalos márkakereskedésekben ill. a hulladékgyűjtő központokban kaphat.

A hűtő leselejtezése előtt vágja el a tápkábelt, tegye használhatatlanná az ajtón lévő zárat (ha van), hogy a gyermekeket ne érhesse baj.

Elhelyezés és üzembe helyezés

Vigyázat: Beszerelés közben ne dugja be a hűtőt a konnektorba. Ellenkező esetben súlyos vagy halálos sérülést szenvedhet.

Amennyiben a hűtőszekrény tárolására kijelölt szoba ajtaja nem elég széles, a hűtők ajtajainak eltávolításához hívja ki a hivatalos szervizt.

1. A hűtőszekrényt könnyen hozzáférhető helyre helyezze.
2. Tartsa távol a hűtőszekrényt a hőforrásoktól, a nedves helyektől és a közvetlen napsütéstől.
3. A hatékony működés érdekében a hűtőszekrényt egy jól szellőző helyen kell elhelyezni.

Amennyiben a hűtőszekrényt egy falı bemélyedésbe helyezi be, a készülék körül minden irányból legalább 5 cm helyet kell hagyni.

Amennyiben a padló szőnyeggel van letakarva, a terméket 2,5 cm-rel meg kell emelni.

4. A rázkódások elkerülése érdekében a hűtőszekrényt egy egyenes padlón helyezze el.

5. Ne tartsa a hűtőszekrényt 10 °C-nál alacsonyabb hőmérsékleten.

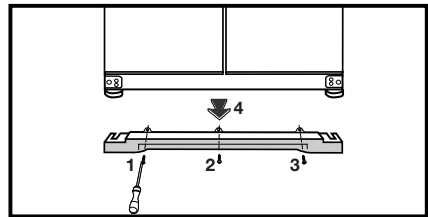
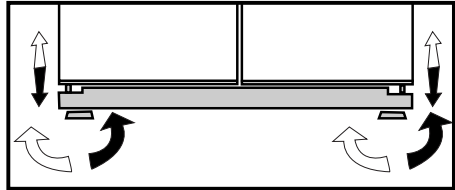
A berendezés stabilizálása

Ha a hűtő dőlőngél:

1. A művelet megkezdése előtt a csavarok kihajtásával távolítsa el a szellőztető burkolatot (lásd az ábrát). A hűtő stabilizálásához csavarja el az elülső lábakat az ábrán látható módon. A láb a fekete nyíl irányába csavarva lejjebb ereszkedik, míg az ellenkező irányba tekerve megemelkedik. A műveletet kényelmes elvégzéséhez két emberre van szükség.

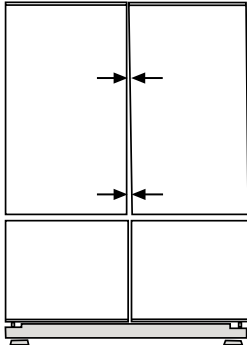
2. A dőlőngelési probléma elhárítása után helyezze vissza a szellőztető burkolatot, és rögzítse azt a csavarokkal.

3. Egy csillagcsavarhúzó segítségével távolítsa el az alsó szellőztető burkolatot rögzítő csavarokat.

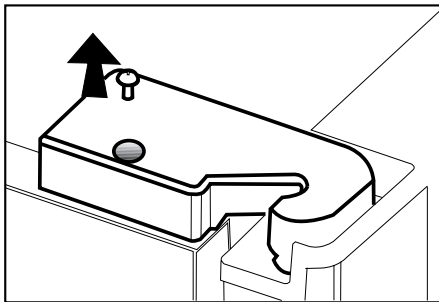


A rés nagyságának beállítása a felső ajtónál

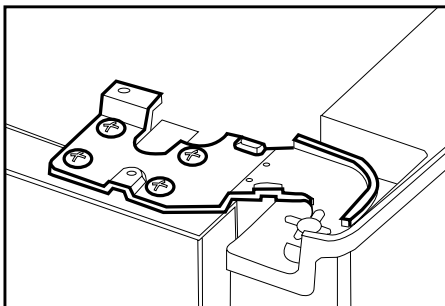
- Lehetőség van a hűtő rekesz ajtajai közti rés beállítására (lásd az ábrákat). Az ajtómagasság beállítása során a polcok legyenek üresek!



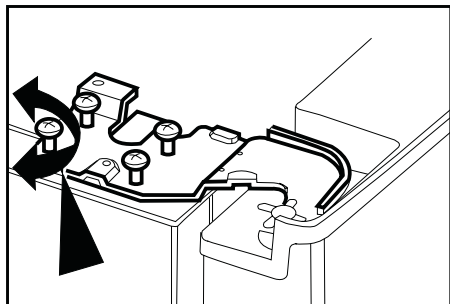
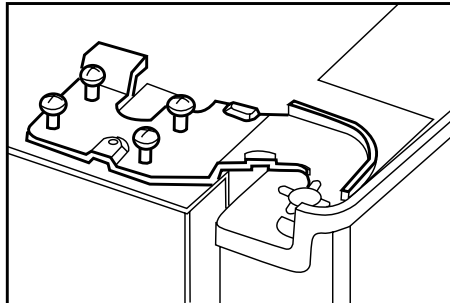
- Egy csavarhúzó segítségével távolítsa el a felső zsanér burkolatát annak az ajtónak, amelyiket be szeretné állítani.



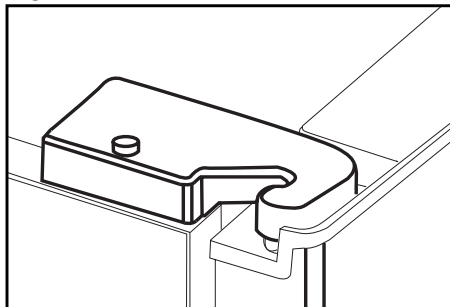
- Állítsa be a kívánt ajtót a csavarok meglazításával.



- Rögzítse a beállított ajtót a csavarok meghúzásával – ügyeljen rá azonban, hogy az ajtó közben ne állítódjon el!



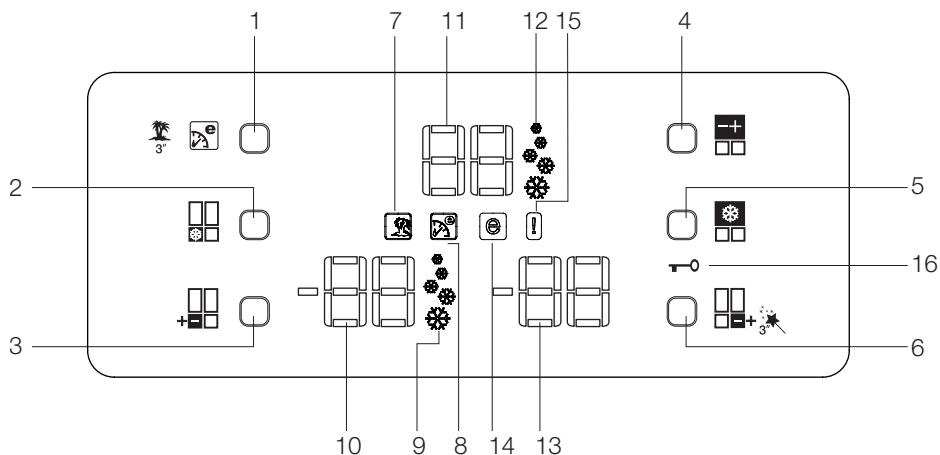
- Tegye vissza a zsanér burkolatát, és rögzítse azt a csavarokkal.



4 A hűtőszekrény használata

Kijelző panel

Ennek az érintőképernyős kijelző panelnek a segítségével beállíthatja a hőmérsékletet anélkül, hogy ehhez ki kellene nyitnia a hűtőt. A hőmérséklet beállításához egyszerűen csak érintse meg a kívánt gombot.



- | | | | |
|----|--|-----|--|
| 1. | Eco extra/Nyarlás gomb | 9. | Gyorsfagyasztás funkció jelző |
| 2. | Gyorsfagyasztás gomb | 10. | Fagyasztórekesz hőmérsékletjelzője |
| 3. | Fagyasztórekesz hőmérsékletbeállító gombja | 11. | Hűtőrekesz hőmérsékletjelzője |
| 4. | Hűtőrekesz hőmérsékletbeállító gombja | 12. | Gyorshűtés funkció jelző |
| 5. | Gyorshűtés gomb | 13. | Multi Zone tárolórekesz hőmérsékletjelzője |
| 6. | Multi Zone tárolórekesz hőmérsékletbeállító gombja | 14. | Gazdaságos üzemmód jelző |
| 7. | Nyarlás funkció jelző | 15. | Hibaállapot jelző |
| 8. | Eco extra funkció jelző | 16. | Billentyűzár jelző |

1. Eco extra/Nyarlás gomb

Ennek a gombnak a megnyomásával lehet aktiválni az Eco extra funkciót. A gomb 3 másodpercig tartó nyomva tartásával lehet aktiválni a Nyarlás funkciót. A kiválasztott funkció kikapcsolásához nyomja meg ismét a gombot.

2. Gyorsfagyasztás gomb

Ennek a gombnak a megnyomásával lehet aktiválni a Gyorsfagyasztás funkciót. A kiválasztott funkció kikapcsolásához nyomja meg ismét a gombot.

3. Fagyasztórekesz hőmérsékletbeállító gombja

A gomb megnyomásával a következő fagyasztó-hőmérsékletfokokozatok között válthat: -18, -20, -22, -24, -18... A gomb segítségével állítsa be a fagyasztórekesz kívánt hőmérsékletét.

4. Hűtőrekesz hőmérsékletbeállító gombja

A gomb megnyomásával a következő hűtő-hőmérsékletfokokozatok között válthat: 8, 6, 4, 2, 8... A gomb segítségével állítsa be a hűtőrekesz kívánt hőmérsékletét.

5. Gyorshűtés gomb

Ennek a gombnak a megnyomásával lehet aktiválni a Gyorshűtés funkciót. A kiválasztott funkció kikapcsolásához nyomja meg ismét a gombot.

6. Multi Zone tárolórekesz hőmérsékletbeállító gombja

A Multi Zone tárolórekesz fagyasztóként és hűtőként is képes funkcionálni. A gomb 3 másodpercig tartó nyomva tartásával lehet váltani a fagyasztó és a hűtő funkció között. A rekesz alapbeállítás szerint fagyasztórekeszként funkcionál.

Ha a Multi Zone tárolórekesz fagyasztóként funkcionál, akkor a Multi Zone tárolórekesz hőmérséklete a -18, -20, -22, -24, -18... beállítások szerint változik a gomb megnyomására. Ha a Multi Zone tárolórekesz hűtőként funkcionál, akkor a Multi Zone tárolórekesz hőmérséklete a 10, 8, 6, 4, 2, 0, -6... beállítások szerint változik a gomb megnyomására.

7. Nyarlás funkció jelző

Azt jelzi, hogy a Nyarlás funkció aktív. Ha ez a funkció aktív, akkor $\bar{\cdot}$ jelzés jelenik meg a hűtőrekesz jelzőjén, és a hűtő nem hűti a hűtőrekeszt. A többi rekesz ettől függetlenül a korábban beállított hőmérsékleten üzemel. A funkció kikapcsolásához nyomja meg ismét a megfelelő gombot.

8. Eco extra funkció jelző

Azt jelzi, hogy az Eco extra funkció aktív. Ha ez a funkció aktív, akkor a hűtő automatikusan felismeri, hogy mikor van a hűtő a legkevésbé használva, és ennek megfelelően ezekben az időszakokban gondoskodik az energiatakarékos hűtésről. Amikor a hűtő energiatakarékos üzemmódban van, akkor megjelenik a Gazdaságos üzemmód jelző.

A funkció kikapcsolásához nyomja meg ismét a megfelelő gombot.

9. Gyorsfagyasztás funkció jelző

Azt jelzi, hogy a Gyorsfagyasztás funkció aktív. Ez a funkció akkor jön jól, ha friss ételt rak a fagyasztóba, vagy ha jégre van szüksége. Amikor a funkció aktív, akkor a hűtő 6 órán át megállás nélkül üzemel.

A funkció kikapcsolásához nyomja meg ismét a megfelelő gombot.

10. Fagyasztórekesz hőmérsékletbeállítás jelzője

A fagyasztórekesz hőmérsékletbeállítását mutatja.

11. Hűtörekesz hőmérsékletbeállítás jelzője

A hűtörekesz hőmérsékletbeállítását mutatja.

12. Gyorshűtés funkció jelző

Azt jelzi, hogy a Gyorshűtés funkció aktív. Ez a funkció akkor jön jól, ha friss ételt rak a hűtőbe, vagy ha gyorsan le szeretné hűteni az ételt. Amikor a funkció aktív, akkor a hűtő 2 órán át megállás nélkül üzemel.

A funkció kikapcsolásához nyomja meg ismét a megfelelő gombot.

13. Multi Zone tárolórekesz hőmérsékletjelzője

A Multi Zone tárolórekeszhez beállított hőmérsékletet mutatja.

14. Gazdaságos üzemmód jelző

Azt jelzi, hogy a hűtő energiatakarékos üzemmódban van. Fagyasztórekesz hőmérséklete

Ez a jelző akkor látható, ha a funkció -18 fokra van állítva, vagy ha az Eco extra funkció épp üzemel.

15. Hibaállapot jelző

Ha a hűtő nem hűt megfelelően, vagy ha valamelyik érzékelő meghibásodott, akkor megjelenik ez a jelzés. Amikor a jelzés aktív, a fagyasztórekesz hőmérsékletjelzője "E" értéket mutat, a hűtörekesz hőmérsékletjelzője pedig "1"-est, "2"-est stb. Ezek a számok a hiba okát jelzik.

16. Billentyűzár jelző

Ezzel a funkcióval megakadályozható, hogy a hűtő hőmérséklete el legyen állítva. A funkció aktiválásához nyomja meg egyszerre és tartsa nyomva 3 másodpercig a gyorshűtés és a Multi Zone tárolórekesz hőmérsékletbeállító gombját.

A funkció kikapcsolásához nyomja meg ismét a megfelelő gombokat.

Nyitott ajtó riasztás:

Ha vagy a hűtörekesz ajtaja, vagy a **Multi Zone** tárolórekesz ajtaja legalább 1 percig nyitva marad, akkor megszólal a nyitott ajtó riasztás. A riasztás elnémításához egyszerűen csak nyomjon meg egy gombot a kijelzőn, vagy csukja be az ajtót.

Tojástartó

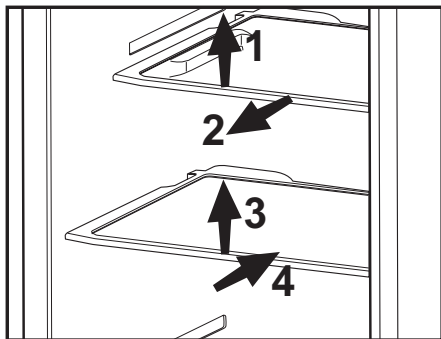
- A tojástartó bármelyik polcon elhelyezhető.
- A tojástartót ne tegye a fagyasztórekeszbe!

Kihúzható polcok

A kihúzható polcok eleje felemelhető, ami után azok kényelmesen húzhatók ki-be. A polcok kihúzásával könnyedén elérhetővé válnak a polc hátulján elhelyezett ételek; a polc kioldásához enyhén emelje azt meg.

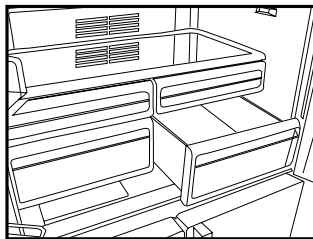
A polcot kihúzott állapotban tartani kell alulról, különben lebillenhet! A polc a hűtő oldalán található síneken nyugszik, és két szinten lehet elhelyezni.

Kihúzás után a polcot teljesen vissza kell tolni.



Fiók

A hűtőszekrény fiókjai speciálisan zöldségek tárolására lettek kialakítva, annak érdekében, hogy ne veszítsenek víztartalmukból. Ezt a célt szolgálja a fiókokban keringtetett hideg levegő.

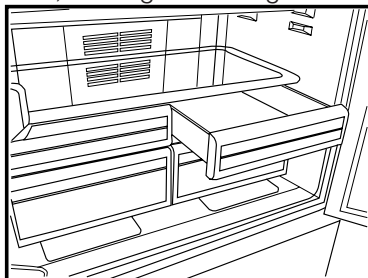


Hűtőrekesz

Ha a polc alatti tárolórekeszt hűtőrekeszként kívánja használni, akkor a polc alatti tárolórekeszt a képen látható módon kell elhelyezni.

A hűtőrekeszekben az ételek előkészíthetők a fagyasztásra. Ezeket a tartókat akkor is használhatja, ha az élelmiszert a hűtőszekrény hőmérsékleténél néhány fokkal melegebb helyen szeretné tárolni.

A hűtőrekeszek eltávolításával megnövelheti a hűtőszekrény belső űrtartalmát. Ehhez húzza meg maga felé a rekeszt; a rekesz egészen az ütközőig jön. A rekeszt úgy lehet kivenni, hogy ezután megemeli azt kb. 1 cm-rel, és meghúzza maga felé.



Forgó középső rész

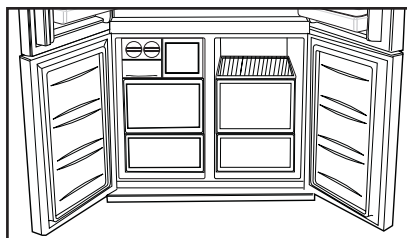
A forgó középső rész célja, hogy megakadályozza, hogy a hideg levegő megszökjön a hűtőből. A forgó középső rész segít a hűtő szigetelésében, mivel az ajtó tömítése nekinyomódik a forgó középső résznek, amikor a hűtőrekesz ajtajai csukva vannak. A másik ok, amiért a hűtő el van látva a forgó középső résszel, az az, hogy ez növeli a hűtőrekesz nettó térfogatát. A standard középső részek ugyanis helyet vesznek el a hűtő nem hasznos térfogatából.

A forgó középső résznek csukva kell lennie, amikor a hűtőrekesz bal oldali ajtaja nyitva van. Ezt a részt nem szabad kézzel kinyitni. A forgó középső rész egy, a hűtőszekrényen elhelyezett műanyag elem forgatja.

Multi Zone tárolórekesz

A hűtőszekrény Multi Zone tárolórekesze hűtő (2/4/6/8 °C) és fagyasztó (-18/-20/-22/-24 °C) üzemmódban egyaránt használható. Az üzemmódok között a Multi Zone tárolórekesz hőmérséklet beállító gombjával lehet váltani. A Multi Zone tárolórekesz hőmérséklete a beállításokon túl 0 - 10 fokkal változtatható hűtő, ill. -6 fokkal fagyasztó üzemmódban. 0 fokon a könnyen romlandó, -6 fokon pedig a húsok tárolhatók, akár 2 hétig.

i A hűtő és fagyasztó üzemmódok közti váltást a hűtőszekrény hátulján (a kompresszornál) elhelyezett hűtőelem teszi lehetővé. Amikor ez az elem működésbe lép, akkor az analóg óra másodperc-kattanásaihoz hasonló hangot ad ki. Ez teljesen normális és nem hiba okozza.



Kék világítás

A kék fényvel megvilágított fiókban tárolt élelmiszerek fotoszintézise beindul a kék fény hatására, így megőrzik frissességüket és nő a vitamintartalmuk.



5 Karbantartás és tisztítás

- ⚠ Tisztításhoz sose használjon beazint vagy hasonló szert.
- ⚠ Tisztítás előtt célszerű kihúzni a berendezést.
- ℹ Soha ne használjon éles, csiszoló anyagot, szappant, háztartási tisztítót, tisztítószert vagy viaszpolitúrt a tisztításhoz.
- ℹ Használjon langyos vizet a hűtő belsejének tisztításához, és törölje szárazra azt.
- ℹ A belső rész tisztításához mártson egy ruhát fél liter vízbe, amelyben feloldott egy teáskanál szódadikarbónát, csavarja ki, és törölje át vele a belsőt, majd törölje szárazra.
- ⚠ Ügyeljen rá, hogy ne kerüljön víz a lámpabúra alá ill. ne kerüljön kapcsolatba más elektromos résszel.
- ⚠ Ha a hűtőt hosszú ideig nem használják, húzza ki a konnektorból, távolítsa el minden élelmiszert, tisztítsa meg, és hagyja félig nyitva az ajtót.
- ℹ Rendszeresen ellenőrizze az ajtótomítékeket, hogy meggyőződjön róla, hogy tiszták és ételmaradékoktól mentesek.
- ℹ Az ajtópolcok eltávolításához vegyen ki onnan mindent, majd egyszerűen tolja fel az alapzatról.

A műanyag felületek védelme

- ℹ Fedetlenül ne tegyen be olajat vagy olajban sült ételeket a hűtőbe, mert az olaj kárt tesz a hűtő műanyag részeiben. Amennyiben olaj kerül a műanyag felületekre, öblítse le és tisztítsa meg az adott részt langyos vízzel.

6 A problémák javasolt megoldása

Kérjük, mielőtt kihívná a szervizt, oldassa át a következő listát. Ezzel időt és pénzt takaríthat meg. Ez a lista azon gyakran előforduló panaszokat tartalmazza, melyek nem a hibás gyártásból vagy anyagokból erednek. Az itt ismertetett tulajdonságok közül nem mindegyik található meg az Ön készülékén.

A hűtőszekrény nem működik
<ul style="list-style-type: none">• A hűtőszekrény megfelelően be van dugva? Dugja be a dugót a fali aljzatba.• Nem olvadt le a főbiztosíték vagy annak a konnektornak a biztosítéka, melyhez a hűtőszekrényt csatlakoztatta? Ellenőrizze a biztosítékokot.
Lecsapódás található a fagyasztó oldalfalán. (MULTI ZONE, HŰTÉS SZABÁLYOZÓ és FLEXI ZONE)
<ul style="list-style-type: none">• Nagyon hideg környezeti körülmények. Az ajtó gyakori kinyitása és becsukása. Magas páratartalmú környezet. Olyan nyitott edényben lévő élelmiszer tárolása, mely folyadékot tartalmaz. Nyitva hagyta az ajtót.• Állítsa hidegebbre a termosztátot.• Csökkentse az időt, amíg az ajtó nyitva van, vagy használja kevesebb szer.• A nyitott edényben tárolt élelmiszert fedje le egy megfelelő anyaggal.• Egy száraz ruha segítségével törölje le a lecsapódást, majd ellenőrizze, hogy a hiba továbbra is fennáll-e.
A kompresszor nem működik
<ul style="list-style-type: none">• A kompresszor biztosítéka hirtelen áramkimaradások esetén kiolvadt, illetve a folyamatos árammegszakítások után a hűtőszekrény hűtő rendszere még nem került egyensúlyba.• A hűtőszekrény kb. 6 perc után fog bekapcsolni. Kérjük, hívja ki a szervizt, ha a 6 perc után nem indul be a hűtőszekrény.• A hűtőszekrény olvasztási ciklusban van. Ez egy teljesen automatikusan olvasztó hűtőszekrény esetében természetes. Az olvasztási ciklus megadott időközönként megy végbe.• A hűtőszekrény nincs bedugva. Győződjön meg róla, hogy a dugó megfelelően van-e csatlakoztatva a fali aljzathoz.• Megfelelőek a hőmérséklet beállítások? Áramszünet van. Hívja az áramszolgáltatót.

A hűtőszekrény gyakran vagy hosszú ideig működik.
<ul style="list-style-type: none"> • Az új hűtőszekrénye lehet, hogy nagyobb, mint az előző. Ez teljesen normális jelenség. A nagyobb hűtőszekrények hosszabb ideig működnek. • Lehet, hogy túl magas a szobahőmérséklet. Ez teljesen normális. • előfordulhat, hogy a hűtőszekrény nem régen lett bedugva, vagy tele lett pakolva élelmiszerekkel. A hűtőszekrény lehűtése ezekben az esetekben néhány órával tovább tarthat. • Nemrégiben nagy mennyiségű forró étel helyezett a hűtőszekrénybe. A forró ételek hatására a hűtőszekrény tovább üzemel, míg az étel el nem éri a tárolási hőmérsékletet. • Lehet, hogy az ajtók gyakran vagy hosszú ideig voltak kinyitva. Meleg levegő jutott a hűtőszekrénybe, melynek hatására a hűtőszekrény hosszabb ideig üzemel. Kevesebb alkalommal nyissa ki az ajtókat. • A fagyasztó vagy a hűtő rész ajtaja lehet, hogy nyitva maradt. Ellenőrizze, hogy az ajtók megfelelően be vannak-e csukva. • A hűtőszekrény nagyon alacsony hőmérsékletre lett állítva. Állítsa a hűtőszekrény hőmérsékletét magasabbra, és várja meg, míg eléri ezt a hőmérsékletet. • A hűtő ajtajának szigetelése elképzelhető, hogy koszos, kopott, törött vagy nem megfelelően van behelyezve. Tisztítsa meg, vagy cserélje ki a szigetelést. A sérült/törött szigetelés hatására a tovább ideig működik annak érdekében, hogy fenn tudja tartani az aktuális hőmérsékletet.
A fagyasztó hőmérséklete túl alacsony, miközben a hűtő hőmérséklete megfelelő.
<ul style="list-style-type: none"> • A fagyasztó nagyon alacsony hőmérsékletre lett állítva. Állítsa a fagyasztó hőmérsékletét magasabbra, és ellenőrizze.
A hűtő hőmérséklete túl alacsony, miközben a fagyasztó hőmérséklete megfelelő.
<ul style="list-style-type: none"> • A hűtő nagyon alacsony hőmérsékletre lett állítva. Állítsa a hűtő hőmérsékletét magasabbra, és ellenőrizze.
A hűtő fiókaiban tartott élelmiszerek magfagynak.
<ul style="list-style-type: none"> • A hűtő nagyon alacsony hőmérsékletre lett állítva. Állítsa a hűtő hőmérsékletét magasabbra, és ellenőrizze.
A hűtő vagy a fagyasztó hőmérséklete nagyon magas.
<ul style="list-style-type: none"> • A hűtő hőmérsékletre nagyon magas értékre lett állítva. A hűtő hőmérséklete hatással van a fagyasztó hőmérsékletére. Módosítsa úgy a hűtő és a fagyasztó hőmérsékletét, hogy ezek elérjék a kívánt szintet. • Lehet, hogy az ajtó nyitva maradt. Csukja be rendesen az ajtót. • Nemrégiben nagy mennyiségű forró étel helyezett a hűtőszekrénybe. Várjon, amíg a hűtő vagy a fagyasztó el nem éri a kívánt hőmérsékletet. • Lehet, hogy a hűtőszekrény nemrég lett bedugva. A hűtőszekrény lehűlése sok időt vesz igénybe annak mérete miatt.
A hűtőszekrényből kiszűrődő zajok hasonlítanak az analóg órák másodpercmutatóinak hangjára.
<ul style="list-style-type: none"> • A zaj a hűtőszekrény szolenoid szelepéből jön. A szolenoid szelepek biztosítják a hűtőfolyadék áramlását a hűtőtérben. Ezek segítségével állíthatja be a hűtés vagy fagyasztás hőmérsékletét, és végezhet el különféle hűtési funkciókat. Ez teljesen normális és nem hiba okozza.

A működés zaj a hűtő működése közben egyre hangosabb.
<ul style="list-style-type: none"> A hűtőszekrény működési teljesítménye a környezeti hőmérséklet változásának függvényében változik. Ez teljesen normális, nem utal hibára.
Rezgés vagy zaj.
<ul style="list-style-type: none"> A padló nem egyenes vagy gyenge. A hűtő a lassú mozgás miatt ad ki hangot. Győződjön meg róla, hogy a padló egyenes-e, illetve elég erős-e ahhoz, hogy elbírja a hűtőszekrényt. A zajt a hűtőszekrény tetejére helyezett tárgyak is okozhatják. Az ilyen tárgyakat el kell távolítani a hűtőszekrény tetejétől.
Csöpögéshez vagy fűváshoz hasonló hangot hallani.
<ul style="list-style-type: none"> A hűtőszekrény működésének megfelelő folyadék vagy gázáramlás történik. Ez teljesen normális, nem utal hibára.
Szélfűváshoz hasonló hangot hallani.
<ul style="list-style-type: none"> A hűtés hatékonyságának érdekében a hűtőszekrény ventilátorokat is működtet. Ez teljesen normális, nem utal hibára.
Kondenzáció a hűtőszekrény belső falain.
<ul style="list-style-type: none"> A meleg vagy párás levegő növeli a jégképződést és a kondenzációt. Ez teljesen normális, nem utal hibára. Az ajtók nyitva vannak. Győződjön meg róla, hogy az ajtók megfelelően be vannak csukva. Lehet, hogy az ajtók túl gyakran, vagy túl sokáig lettek kinyitva. Kevesebb alkalommal nyissa ki az ajtót.
Pára jelenik meg a hűtőszekrény külső részén vagy az ajtók közt.
<ul style="list-style-type: none"> Lehet, hogy párás az idő. A párás idő teljesen normális. Ha a páratartalom kevesebb lesz, a kondenzáció eltűnik.
Kellemetlen szag érezhető a hűtőben.
<ul style="list-style-type: none"> A hűtőszekrény belső tisztításra szorul. Egy szivacs, meleg víz vagy szóda segítségével tisztítsa meg a hűtőszekrény belső részét. A szagot lehet, hogy néhány edény vagy csomagolóanyag okozza. Használjon másik edényt, vagy más gyártótól származó csomagolóanyagot.
Az ajtó(k) nem nyíl(nak)ik ki.
<ul style="list-style-type: none"> Az élelmiszerek csomagolásai megakadályozhatják az ajtó becsukását. Távolítsa el azokat a csomagokat, melyek akadályozzák az ajtót. A hűtőszekrény valószínűleg nem teljesen áll függőlegesen a padlón, és a lassú mozgás következtében ugrál. Állítsa be a szintbeállító csavarokat. A padló nem egyenes vagy nem elég erős. Győződjön meg róla, hogy a padló egyenes-e, illetve elég erős-e ahhoz, hogy elbírja a hűtőszekrényt.
A rács beragadt.
<ul style="list-style-type: none"> Az élelmiszer lehet, hogy hozzáér a fiók tetejéhez. Rendezze át az élelmiszereket a fiókban.

Läs den här bruksanvisningen först!

Kära kund!

Vi hoppas att din produkt, som har producerats i en förstklassig produktionsanläggning med noggranna övervakningsprocesser kommer att erbjuda många års effektiv användning.




Vi rekommenderar därför att du läser igenom hela bruksanvisningen noggrant innan du använder den och att du förvarar den nära till hands för framtida referens.

Den här bruksanvisningen

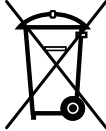
- Hjälper dig använda enheten på ett snabbt och säkert sätt.
 - Läs bruksanvisningen innan du installerar och använder produkten.
 - Följ instruktionerna, speciellt säkerhetsanvisningarna.
 - Förvara bruksanvisningen på en lättåtkomlig plats där du kan hämta den senare.
 - Läs även övriga dokument som tillhandahålls tillsammans med produkten.
- Observera att den här bruksanvisningen även kan gälla för andra modeller.

Symboler och beskrivningar för dem


Den här bruksanvisningen innehåller följande symboler:

-  Viktig information eller användbara tips.
-  Varning för risker för liv och egendom.
-  Varning för elektrisk spänning.

Återvinning



Den här produkten är försedd med symbolen för källsortering av elektriskt och elektroniskt material (WEEE).

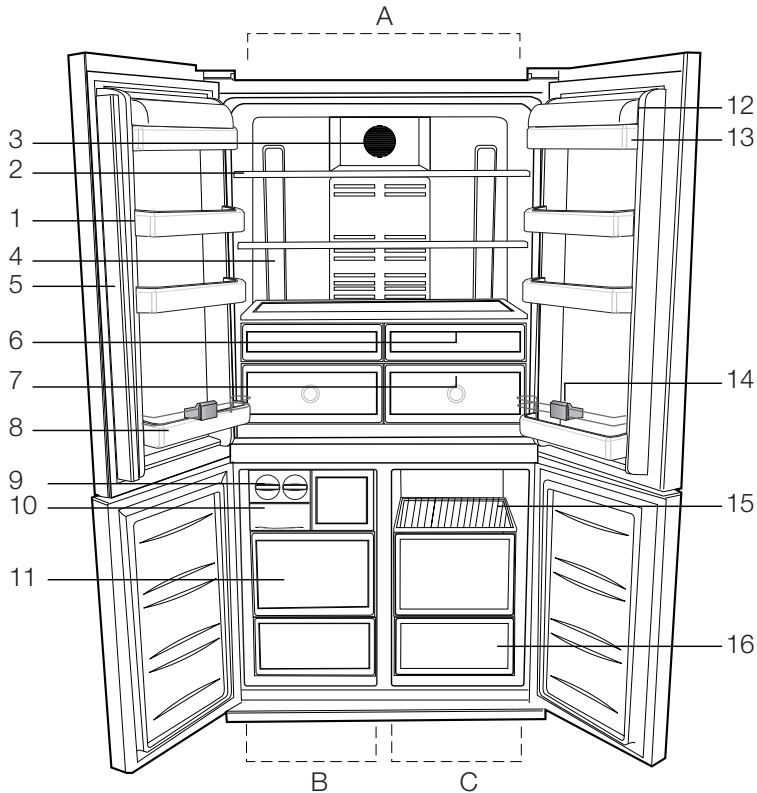
Detta innebär att produkten måste hanteras i enlighet med EU-direktivet 2002/96/EC för att återvinnas eller återanvändas och därmed minimera påverkan på miljön. För ytterligare information,  kontakta din lokala kommun.

Elektroniska produkter som inte inkluderas i källsortering är potentiellt farliga för miljön och den personliga hälsan, på grund av farliga substanser.

INNEHÅLL

1 Kylskåpet	3	4 Använda kylskåpet	12
2 Viktiga säkerhetsvarningar	4	Indikatorpanel.....	12
Avsedd användning	4	Dörröppningsalarm:	14
För produkter med vattenbehållare; ...	6	Äggbehållare	15
Barnsäkerhet	6	Skjutbara hyllor	15
HCA-Varning	6	Grönsakslåda	15
Saker att göra för att spara energi	7	Kylfack	15
Rekommendationer för förvaring av		Flyttbar mittsektion	16
färsvaror	7	Multizonförvaringsfack	16
		Blå lampa	16
3 Installation	8	5 Underhåll och rengöring	17
Förberedelse	8	Skydd av plastytor	17
Saker att tänka på vid transport av			
kylskåpet	8	6 Rekommenderade	18
Byta lampan	8	lösningar på problem	
Innan du använder kylskåpet	9		
Elektrisk anslutning	9		
Kassering av förpackningen.....	9		
Kassering av ditt gamla kylskåp.....	10		
Placering och installation	10		
Golvbalansjustering	10		
Justera öppningen vid den övre			
dörren	11		

1 Kylskåpet



- A- Kylfack
- B- Frysack
- C- Multizon

- | | |
|--|----------------------------------|
| 1- Dörrhyllor för kylfack | 9- Ismaskin |
| 2- Kylfackets justerbara hyllor för skåp | 10- Islåda |
| 3- Dimmerskydd | 11- Förvaringsfack för fryst mat |
| 4- Belysningslins | 12- Skydd för ost- och smörhylla |
| 5- Roterande mittsektion | 13- Ost- och smörhylla |
| 6- Kylfack | 14- Flaskhållare |
| 7- Grönsakslåda | 15- Hyllor för Multizonsfacket |
| 8- Flaskställ | 16- Multizonsfack |

i Bilder som förekommer i den här bruksanvisningen är exempel och överensstämmer inte exakt med din produkt. Om delar inte medföljer produkten du har köpt så gäller det för andra modeller.

2 Viktiga säkerhetsvarningar

Läs följande information. Om du underlåter att följa den här informationen kan det orsaka person- och materialskador. Annars blir alla garanti- och tillförlitlighetsåtaganden ogiltiga.

Användningstidslängden för enheten är 10 år. Det här är den period som reservdelarna krävs för att enheten ska hålla.

Avsedd användning

Den här produkten är avsedd för följande användning

- inomhus och i stängda rum, exempelvis i hemmet;
 - i stängda miljöer, såsom butiker och kontor;
 - i stängda inkvarteringsområden, såsom bondgårdar, hotell, pensionat.
- Denna produkt ska inte användas utomhus.

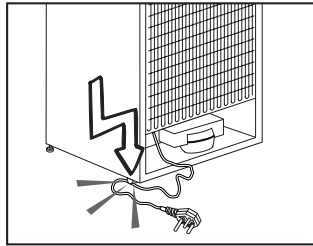
Allmän säkerhet

- När du vill avyttra produkten rekommenderar vi att du rådgör med auktoriserad kundtjänst för att få den information som krävs, samt auktoriserade organ.
- Rådfråga auktoriserad service när det gäller alla frågor och problem som är relaterade till kylskåpet. Modifiera inte kylskåpet utan att meddela auktoriserad kundtjänst.
- För produkter med frysfack; Ät inte glass och iskuber direkt efter att du har tagit ut dem ur frysacket! (Det kan leda till köldskador i munnen.)

- För produkter med frysfack; Placera inte flaskprodukter och konserverade drycker i frysacket. De kan explodera.
- Rör inte vid fryst mat med händerna; de kan fastna.
- Koppla ur kylskåpet före rengöring och avfrostning.
- Lättflyktiga material skall aldrig användas vid avfrostning av kylskåpet. Det kan leda till att ångan kommer i kontakt med elektriska delar och orsaka kortslutning eller elektriska stötar.
- Använd aldrig delar på din produkt såsom en dörr som stöd eller trappsteg.
- Använd inte elektriska enheter inne i kylskåpet.
- Skada inte delarna med borr eller vassa verktyg, när kylskåpet cirkulerar. Kylmedlet som kan läcka ut om rör eller ytor punkteras kan orsaka hudirritation och ögonskador.
- Täck inte över eller blockera ventilationshålen på kylskåpet med något material.
- Elektriska enheter måste repareras av behöriga fackmän. Reparationer som utförs av personer utan rätt kunskap kan orsaka risk för användaren.
- Vid eventuella fel eller felfunktion under service eller reparationsarbete, skall du koppla ur strömkällan till kylskåpet genom att antingen vrida ur motsvarande säkring eller dra ur sladden.

- Drag inte i kabeln – drag i kontakten.
- Placera drycker i kylskåpet ordentligt stängda och upprätt.
- Förvara aldrig spraymedel som innehåller antändbara och explosiva ämnen i kylskåpet.
- Använd inte mekaniska enheter eller andra sätt för att snabba på avfrostningsprocessen, förutom det som rekommenderas av tillverkaren.
- Den här produkten är inte avsedd att användas av personer med nedsatt fysisk, psykisk eller mental förmåga eller oerfarna personer (inklusive barn) om de inte övervakas av en person som ansvarar för deras säkerhet eller instruerar dem i användningen av produkter.
- Använd inte ett skadat kylskåp. Kontakta serviceombudet om du har några frågor.
- Elsäkerheten för kylskåpet garanteras endast om jordningssystemet i huset uppfyller de krav som gäller.
- Det är farligt att utsätta produkten för regn, snö, sol och vind med tanke på elsäkerheten.
- Kontakta auktoriserad service om strömkabeln skadas för att undvika fara.
- Koppla aldrig in kylskåpet i vägguttaget under installationen. Det ökar risken för allvarlig skada eller dödsfall.
- Det här kylskåpet är endast avsett för förvaring av livsmedel. Det får inte användas för något annat ändamål.
- Etiketten med tekniska specifikationer sitter på vänster insida i kylskåpet.

- Koppla aldrig in kylskåpet till energibesparande system; de kan skada kylskåpet.
- Om det finns en blå lampa på kylskåpet ska du inte titta in i den blå lampan med optiska verktyg.
- För manuellt kontrollerade kylskåp, vänta i minst 5 minuter för att starta kylskåpet efter strömavbrottet.
- Den här bruksanvisningen ska lämnas till den nya ägaren av produkten när den lämnas till andra.
- Undvik att orsaka skada på strömkabeln vid transport av kylskåpet. Om du böjer kabeln kan det orsaka brand. Placera aldrig tunga föremål på strömkabeln. Rör inte vid kontakten med våta händer när du kopplar in produkten.



- Anslut inte kylskåpet till ett eluttag som sitter löst.
- Vatten får av säkerhetsskäl inte sprayas direkt på de inre eller yttre delarna av produkten.
- Spraya inte ämnen som innehåller antändbara gaser, såsom propangas, nära kylskåpet för att undvika brand och explosionsrisk.
- Placera aldrig behållare som är fyllda med vatten på kylskåpet, eftersom det kan orsaka elektrisk kortslutning eller brand.

- Överbelasta inte kylskåpet med för stora mängder mat. Om det överbelastas kan mat falla ned och skada dig och kylskåpet när du öppnar dörren. Placera aldrig föremål på kylskåpet; annars kan de falla ned när du öppnar eller stänger kylskåpsdörren.
- Produkter som behöver en exakt temperaturkontroll (vaccin, värmekänslig medicin, vetenskapliga material etc.) får inte förvaras i kylan.
- Om kylskåpet inte används under en längre tid ska det kopplas från strömkällan. Ett möjligt problem i strömkabeln kan orsaka brand.
- Kontaktens stift ska rengöras regelbundet; annars kan det leda till brandrisk.
- Kontaktens stift ska rengöras regelbundet med en torr trasa; annars kan det leda till brandrisk.
- Kylskåpet kan flytta på sig om de justerbara benen inte sitter fast ordentligt i golvet. Om du förankrar de justerbara benen ordentligt i golvet kan det förhindra att kylskåpet flyttar på sig.
- När du bär på kylskåpet ska du inte hålla i dörrhandtaget. Annars kan det släppa.
- Om du har placerat produkten intill ett annat kylskåp eller en frys ska avståndet mellan enheterna vara minst 8 cm. Annars kan de angränsande väggarna bli fuktiga.

För produkter med vattenbehållare;

Vattentrycket ska vara minst 1 bar.

Vattentrycket ska vara max 8 bar.

- Använd bara drickbart vatten.

Barnsäkerhet

- Om dörren har ett lås ska nyckeln hållas borta från barn.
- Barn ska övervakas för att hindra att de pillar på produkten.

HCA-Varning

Om produktens kylsystem innehåller R600a:

Den här gasen är lättantändlig.

Var därför noggrann så att du inte skadar kylsystemet och rören under användning och transport. Om det skulle uppstå någon skada skall produkten hållas borta från potentiella eldkällor som kan göra att produkten fattar eld och du ska ventilerera rummet där enheten är placerad.

Du kan bortse från den här varningen om produktens kylsystem innehåller R134a.

Typen av gas som används i produkten anges på märkplåten som sitter på kylskåpets vänstra insida.

Kasta aldrig produkten i eld när den ska kasseras.

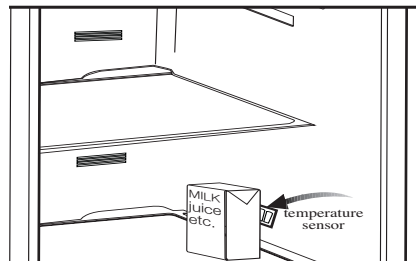
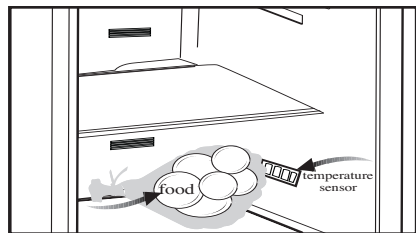
Saker att göra för att spara energi

- Låt inte dörrarna till kylskåpet stå öppna under en längre tid.
- Placera inte varm mat eller varma drycker i kylskåpet.
- Överbelasta inte kylskåpet så att luftcirkulationen invändigt hindras.
- Installera inte kylskåpet i direkt solljus eller nära värmeavsöndrande enheter såsom ugn, diskmaskin eller element.
- Observera att mat ska förvaras i tillslutna behållare.
- För produkter med frysack; Du kan lagra maximal mängd mat i frysen när du tar bort hyllan eller lådan till frysen. Energiförbrukningen som anges på kylskåpet har fastställts genom att ta bort fryshyllan eller lådan och ha maximal belastning. Det finns ingen risk i att använda en hylla eller låda enligt formerna och storlekarna på maten som ska frysas.
- Upptining av fryst mat i kylfacket sparar både energi och håller matens kvalitet.

Rekommendationer för förvaring av färskvaror

* TILLBEHÖR

- Låt ingen mat komma i kontakt med temperatursensorn i facket för färskvaror. För att hålla optimal förvaringstemperatur i facket för färskvaror får inte sensorn blockeras av livsmedel.
- Placera inte varm mat i enheten.



3 Installation

- ⚠ Kom ihåg att tillverkaren inte skall hållas ansvarig om användaren underlåter att observera något i den här bruksanvisningen.

Förberedelse

- Kylskåpet skall installeras minst 30 cm från värmekällor, såsom spis, ugn och centralvärme och minst 5 cm från elektriska ugnar och får inte placeras i direkt solljus.
- Den omgivande temperaturen i rummet där du installerar kylskåpet skall vara minst 10°C. Användning i kallare miljöer rekommenderas inte och kan minska effektiviteten.
- Se till att kylskåpet är ordentligt rengjort invändigt.
- Om två kylskåp skall installeras intill varandra skall det vara ett avstånd på minst 2 cm mellan dem.
- Vid användning av kylskåpet för första gången skall du observera följande anvisningar under de första sex timmarna.
 - Dörren får inte öppnas för ofta.
 - Det måste köras tomt utan mat.
 - Dra inte ur sladden till kylskåpet.Om det inträffar ett strömavbrott som ligger utanför din kontroll, se varningarna i avsnittet "Rekommenderade lösningar på problem".
- Originalförpackning och skumplastmaterial skall sparas för framtida transport.

Saker att tänka på vid transport av kylskåpet

1. Kylskåpet måste vara tomt och rent före transport.
2. Hyllor, tillbehör, grönsakslåda etc. i kylskåpet måste spännas fast ordentligt med självhäftande tejp före ompaketering.
3. Förpackningen måste fästas ihop med tjock tejp och starka rep och de transportregler som anges på förpackningen måste följas.

Glöm inte...

Varje återvunnet material är en ovärderlig källa för naturen och för våra nationella resurser.

Om du vill bidra till återvinningen av förpackningsmaterial kan du hämta ytterligare information från våra miljöorgan eller lokala myndigheter.

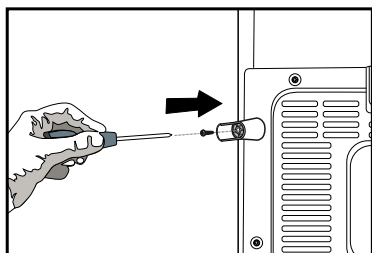
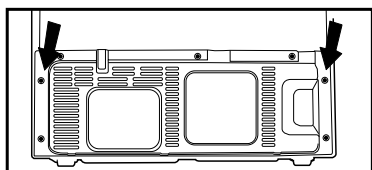
Byta lampan

Ring auktoriserad service när du vill byta lampa.

Innan du använder kylskåpet

Kontrollera följande innan du startar kylskåpet:

1. Är kylskåpets insida torr och kan luften cirkulera fritt bakom det?
2. För in 2 plastklämmor på den bakre ventilationen så som visas på följande bild. Skruva loss de befintliga och använd de medföljande skruvarna som ligger i samma påse som klämmorna. Plastklämmorna ger rätt avstånd mellan kylskåpet och väggen för att tillåta luften att cirkulera.



3. Rengör kylskåpets insida enligt rekommendationerna i avsnittet "Underhåll och rengöring".
4. Koppla in kylskåpet i vägguttaget. När dörren öppnas kommer den invändiga belysningen att tändas.
5. Du kommer att höra ett bullrande ljud när kompressorn startar. Vätska och gas inne i produkten kan också ge upphov till ljud, även om kompressorn inte körs och detta är helt normalt.
6. De främre kanterna på kylskåpet kan kännas varma. Detta är normalt. De här områdena är utformade för att bli varma och därmed undvika kondens.

Elektrisk anslutning

Anslut kylskåpet till ett jordat uttag som skyddas av en säkring med lämplig kapacitet.

Viktigt:

- Anslutningen måste ske i enlighet med nationell lagstiftning.
 - Strömkabelns kontakt måste vara lätt att komma åt efter installationen.
 - Spänning och tillåtet säkringsskydd anges i avsnittet "Tekniska specifikationer".
 - Den angivna spänningen måste överensstämma med strömkällans spänning.
 - Förlängningskablar och grenkontakter får inte användas för anslutningen.
- ⚠ En skadad strömkabel måste bytas av en behörig elektriker.
- ⚠ Produkten får inte användas innan den reparerats! Det finns risk för kortslutning!

Kassering av förpackningen

Förpackningsmaterial kan vara farligt för barn. Förvara förpackningsmaterialen utom räckhåll för barn eller avyttra dem i enlighet med gällande regler. Avyttra dem inte med hushållsavfallet.

Förpackningsmaterialet för ditt kylskåp produceras av återvinningsbara material.

Kassering av ditt gamla kylskåp

Avyttra din gamla enhet utan att skada miljön.

- Du kan kontakta en auktoriserad återförsäljare eller ett återvinningscenter angående avyttring av ditt kylskåp.

Innan du kasserar kylskåpet ska du dra ur strömkontakten och, om det finns några lås på dörren, göra dem obrukbara för att förhindra att barn skadar sig.

Placering och installation

Observera! Koppla aldrig in kylskåpet i vägguttaget under installationen. Det ökar risken för allvarlig skada eller dödsfall.

Om entrén till rummet där kylskåpet skall installeras inte är tillräckligt bred för att kylskåpet skall kunna passera skall du ringa till auktoriserad fackman så att de avlägsnar dörrarna på kylskåpet och tar in det i sidled genom dörren.

1. Installera kylskåpet på en plats där det är lättåtkomligt.
2. Håll kylskåpet borta från värmekällor, fuktiga platser och direkt solljus.
3. Det måste finnas tillräcklig ventilation runt kylskåpet för att uppnå effektiv användning.

Om kylskåpet placeras i en hållighet i väggen måste det vara ett avstånd på minst 5 cm till taket och 5 cm till väggen.

Om golvet täcks med en matta måste produkten ha ett mellanrum på 2,5 cm till golvet

4. Placera kylskåpet på en jämn och plan golvyta för att förhindra lutningar.

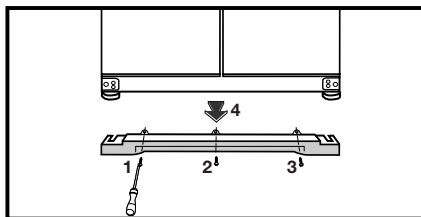
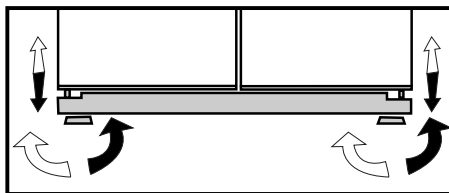
5. Låt inte kylskåpet stå i en omgivande temperatur som understiger 10°C.

Golvbalansjustering

Om kylskåpet är obalanserat:

1- Ventilationsskyddet tas bort genom att skruva bort skruvarna, så som visas i bilden, innan du går vidare.

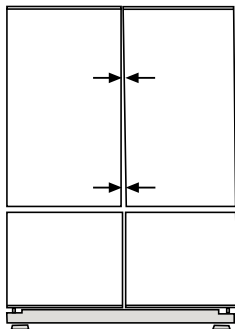
Du kan balansera kylskåpet genom att vrida de främre benen såsom illustreras på bilden. Hörnet där benen finns sänks när du vrider i den svarta pilens riktning och höjs när du vrider i motsatt riktning. Det är lämpligt att be om hjälp när du gör detta för att göra det enklare.



2. När balansproblemet är åtgärdat monterar du tillbaka ventilationsskyddet och fäster skruvarna.

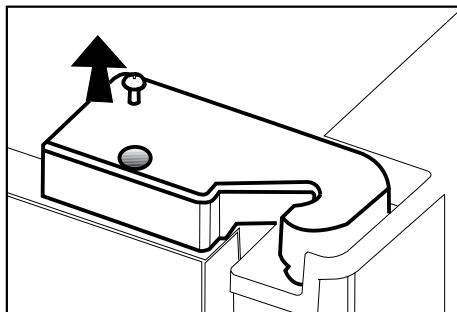
3. Avlägsna de skruvar som fäster det nedre ventilationsskyddet med en Philips skruvmejsel.

Justera öppningen vid den övre dörren



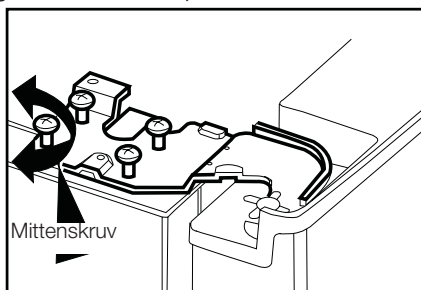
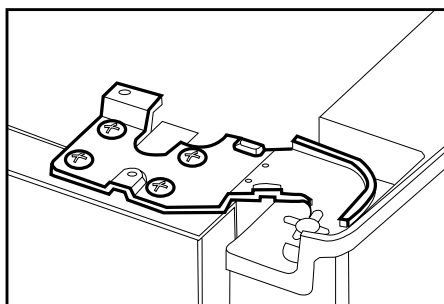
• Du kan justera öppningen mellan dörarna på kylfacket så som visas på bilderna.

Dörrhyllorna skall vara tomma när du justerar dörrhöjden.

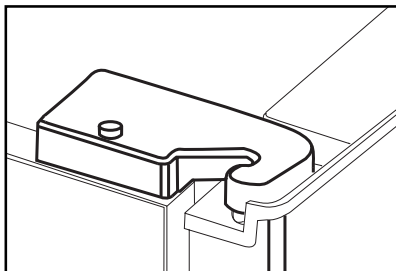
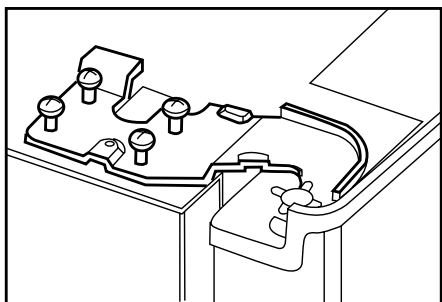


• Använd en skruvmejsel för att avlägsna det övre gångjärnsskyddet på dörren du vill justera.

• Justera dörren efter önskemål genom att lossa på skruvarna.



• Fäst dörren som du har justerat genom att dra åt skruvarna utan att ändra dörrens position.

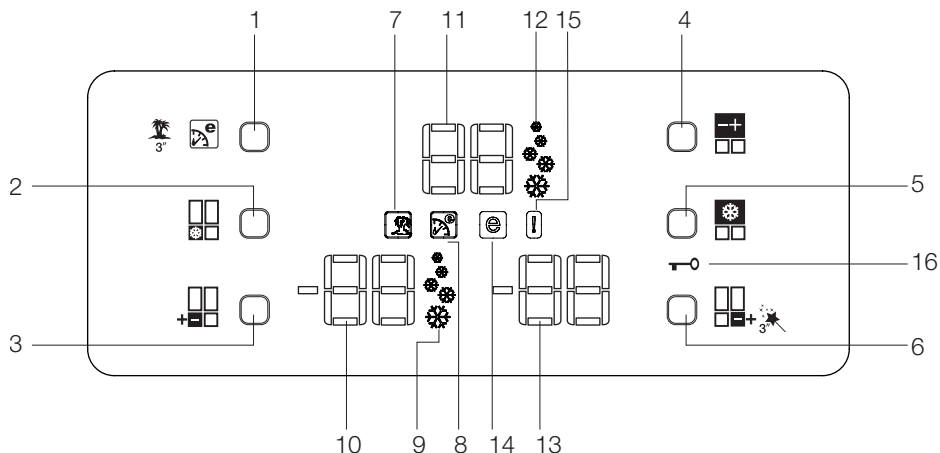


• Byt gångjärnsskydd och fäst med skruven.

4 Använda kylskåpet

Indikatorpanel

Med den pekstyrda indikatorpanelen kan du ställa in temperaturen utan att öppna kylskåpsdörren. Peka bara på önskad knapp med fingret för att ställa in temperaturen.



1. Eko-extra/Semester-knapp
2. Snabbfrysningsknapp
3. Frysack -
Temperaturinställningsknapp
4. Kylfack -
Temperaturinställningsknapp
5. Snabbkylningsknapp
6. Multizonförvaringsfack -
Temperaturinställningsknapp
7. Indikator för semesterfunktion
8. Indikator för Eko-extrafunktion
9. Indikator för snabbfrysningsfunktion
10. Frysack - Temperaturindikator
11. Kylfack - Temperaturindikator
12. Indikator för snabbkylningsfunktion
13. Multizonförvaringsfack -
Temperaturindikator
14. Indikator för ekonomiläge
15. Indikator för felstatus
16. Indikator för knapplås

i Bilder som förekommer i den här bruksanvisningen är exempel och överensstämmer inte exakt med din produkt. Om delar inte medföljer produkten du har köpt så gäller det för andra modeller.

1. Eko-extra/Semester-knapp

Tryck snabbt på knappen för att aktivera funktionen Eko-extra. Håll in knappen i 3 sekunder för att aktivera semesterfunktionen. Tryck på knappen igen för att avaktivera den valda funktionen.

2. Snabbfrysningsknapp

Tryck snabbt på knappen för att aktivera funktionen Snabbfrysning. Tryck på knappen igen för att avaktivera den valda funktionen.

3. Inställningsknapp för frysfackstemperatur

Tryck på den här knappen för att ställa in temperaturen för frysfacket till -18, -20, -22, -24 respektive -18. Tryck på den här knappen för att ställa in önskad temperatur för frysfacket.

4. Inställningsknapp för kylfackstemperatur

Tryck på den här knappen för att ställa in temperaturen för kylfacket till 8, 6, 4, 2 respektive 8. Tryck på den här knappen för att ställa in önskad temperatur för kylfacket.

5. Snabbkylningsknapp

Tryck snabbt på knappen för att aktivera funktionen Snabbkylning. Tryck på knappen igen för att avaktivera den valda funktionen.

6. Multizonförvaringsfack - Temperaturinställningsknapp

Du kan ställa in Multizonförvaringsfacket antingen som ett frysfack eller ett kylfack. Håll in knappen i 3 sekunder för att ställa in Multizonförvaringsfacket antingen som frysfack eller kylfack. Som fabriksstandard är facket inställt som frysfack.

Om Multizonförvaringsfacket är inställt som frysfack kommer temperaturen på facket att ändras till -18, -20, -22, -24 respektive -18... varje gång du trycker på den här knappen. Om Multizonförvaringsfacket är inställt som kylfack kommer temperaturen på facket att ändras till 10, 8, 6, 4, 2, 0 respektive -6... varje gång du trycker på den här knappen.

7. Indikator för semesterfunktion

Anger om semesterfunktion är aktiverad. Om den här funktionen är aktiv visar indikatorn på kylfacket “- -“ och kylfacket kyls inte. Övriga fack kyls i enlighet med den temperatur som är inställd för dem.

Tryck på relevant knapp igen för att avaktivera den valda funktionen.

8. Indikator för Eko-extrafunktion

Anger om Eko-extrafunktion är aktiverad. När den här funktionen är aktiverad kommer kylskåpet att automatiskt hitta de perioder när enheten används minst och kyla mer energisnålt under de tiderna. Ekonomiindikatorn är aktiv under energisnål kylning.

Tryck på relevant knapp igen för att avaktivera den valda funktionen.

9. Indikator för snabbfrysningsfunktion

Anger om snabbfrysningsfunktion är aktiverad. Använd den här funktionen när du placerar färsk mat i frysfacket eller när du behöver is. När den här funktionen är aktiv kommer kylskåpet att köras i 6 timmar utan stopp.

Tryck på relevant knapp igen för att avaktivera den valda funktionen.

10. Indikator för frysfackstemperatur

Indikerar temperaturen för frysfacket.

11. Indikator för kylfackstemperatur

Indikerar temperaturen för kylfacket.

12. Indikator för snabbkylningsfunktion

Anger om snabbkylningsfunktion är aktiverad. Använd den här funktionen när du placerar färsk mat i kylfacket eller när du snabbt vill kyla mat. När den här funktionen är aktiv kommer kylskåpet att köras i 2 timmar utan stopp.

Tryck på relevant knapp igen för att avaktivera den valda funktionen.

13. Multizonförvaringsfack - Temperaturindikator

Indikerar den temperatur som är inställd för Multizonförvaringsfacket.

14. Indikator för ekonomiläge

Indikerar att kylskåpet körs i energisnålt läge. Temperatur i frysfacket

Denna indikator kommer att vara aktiv om funktionen är inställd på -18 eller om energisnål kylning utförs av Eko-extrafunktionen.

15. Indikator för felstatus

Om kylskåpet inte koler på rätt sätt eller om det uppstår ett sensorfel aktiveras denna indikator. När indikatorn är aktiv visar temperaturindikatorn för frysfacket "E" och temperaturindikatorn för kylfacket visar siffror som "1,2,3...". Siffrorna på indikatorn är information om vilket typ av fel det är, för servicepersonalen.

16. Indikator för knapplås

Använd den här funktionen om du inte vill ändra temperaturinställningarna. Tryck in snabbkylningsknappen och Multizonförvaringsfackets inställningsknapp för temperatur samtidigt i 3 sekunder för att aktivera den här funktionen.

Tryck på relevanta knappar igen för att avaktivera den valda funktionen.

Dörröppningsalarm:

Om dörren till kylfacket eller **Multizon**förvaringsfacket är öppen i mer än 1 minut kommer dörröppningsalarmet att aktiveras. Tryck på valfri knapp på indikatorn eller stäng den öppna dörren för att tysta alarmet.

Äggbehållare

Du kan installera ägghållaren på önskad dörr eller hylla.

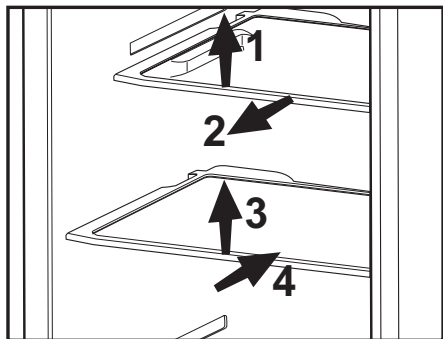
Lagra aldrig ägghållare i frysacket.

Skjutbara hyllor

De skjutbara hyllorna kan dras genom att lyfta i dem framtill och flytta den fram och tillbaka. När du drar dem framåt kommer de till en stoppunkt för att du ska kunna komma åt mat som är placerad bakom hyllan; när de dras lite uppåt kommer de till en andra stoppunkt, där hyllan kan lyftas ut.

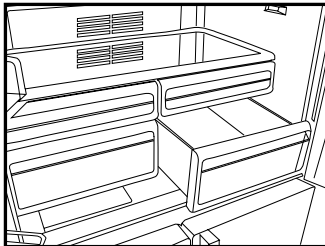
Hyllan ska hållas tätt mot botten, för att förhindra att den välter. Hyllan är placerad på sidoskenorna på kylskåpet på en nedre och en övre nivå.

Enhetshyllan kan tryckas bakåt för att fastna helt.



Grönsakslåda

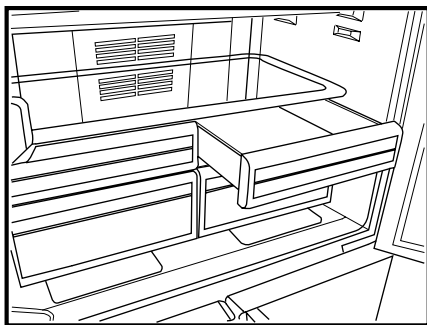
Grönsakslådan i kylskåpet är utformad för att speciellt förvara grönsakerna färska utan att de ska tappa fukt. Av den anledningen cirkulerar kall luft runt grönsakslådan.



Kylfack

Kylfacket förbereder mat som ska frysas. Du kan även använda dessa fack för att förvara mat i en temperatur som ligger några grader under kylskåpet.

Du kan öka den inre volymen på kylskåpet genom att ta bort några av kylfacken. För att göra detta drar du facket mot dig, facket lutar sig mot en stoppare och stannar. Facket tas ut genom att du lyfter det ungefär 1 cm och drar det mot dig.



Flyttbar mittsektion

Den roterande mittsektionen är avsedd att förhindra att kall luft i kylskåpet smiter ut.

1- Tätning finns när dörrarna trycks in mot den förflyttningsbara mittsektionen när kylskåpsdörrarna stängs.

2- En annan anledning till att kylskåpet är utrustat med en roterande mittsektion är för att öka nettovolymen på kylfacket. Vanliga mittsektioner ger ofta en viss volym som inte används.

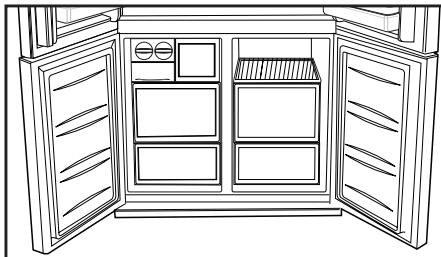
3- Den flyttbara mittsektionen är stängd när vänstra dörren på kylfacket är låst.

4- Den måste öppnas för hand. Den rör sig efter platsdelarna på huvudenheten när dörren är stängd.

Multizonförvaringsfack

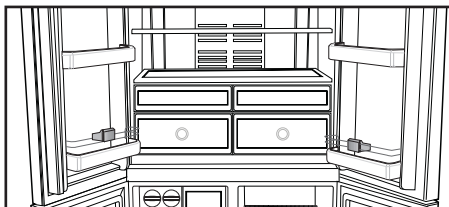
Kylskåpets multizonfack kan användas i önskat läge genom att justera temperaturerna för kyl (2/4/6/8 °C) eller frys (-18/-20/-22/-24). Du kan ställa in önskad temperatur för multizonfacket med temperaturinställningsknappen. Temperaturen för multizonfacket kan ställas in mellan 0 och 10 grader för kylfacket och ned till -6 grader för frysfacket. 0 grader används vid längre förvaring av mat och charkuteri, och -6 grader används för att förvara köttvaror upp till 2 veckor så att det är smidigt att skära.

i Funktionen för att växla till kyl- eller fryslock erbjuds via kylelementet som finns placerat i den stängda sektionen (kompressorlocket) bakom kylskåpet. Under användning av det här elementet hörs ett liknande ljud som från en analog klocka. Detta är normalt och inte något fel.



Blå lampa

Mat som lagras i grönsakslådan belyses med en blå lampa för att bevara färskheten och öka vitamininnehållet.



5 Underhåll och rengöring

- ⚠ Använd aldrig bensin, bensen eller liknande ämnen för rengöring.
- ⚠ Vi rekommenderar att du kopplar ur utrustningen före rengöring.
- ⚠ Använd aldrig vassa instrument eller slipande medel, tvål, rengöringsmedel, tvättmedel eller polish för rengöring.
- ℹ Använd ljummet vatten för rengöring av enhetens skåp och torka det torrt.
- ℹ Använd en fuktig trasa urvriden i en lösning av en tesked bikarbonatsoda till en halv liter vatten, torka ur interiören och torka sedan torrt.
- ⚠ Se till att inget vatten tränger in i lampkåpan och i andra elektriska tillbehör.
- ⚠ Om enheten inte kommer att användas under en längre tid, stäng då av den, plocka ur all mat, rengör den och lämna dörren på glänt.
- ℹ Kontrollera dörrens tätningstätt regelbundet så att den är ren och fri från matrester.
- ⚠ För att ta bort ett dörrfack tar du först ur allt innehåll och trycker sedan enkelt upp det från sitt fäste.

Skydd av plastytor

- ℹ Förvara inte rinnande olja eller mat som har tillagats i olja utan att vara tillslutna i kylskåpet, eftersom det kan skada kylskåpets plastytor. Om du spiller olja på plasten, rengör och skölj ytan direkt med varmvatten.

6 Rekommenderade lösningar på problem

Titta igenom listan innan du tillkallar service. Det kan spara både tid och pengar. Den här listan inkluderar vanliga klagomål som inte uppstår till följd av defekter i tillverkningen eller materialanvändningen. Vissa av funktionerna som beskrivs här kanske inte finns på din produkt.

Kylen fungerar inte

- Är kylskåpet korrekt inkopplat? Sätt i vägguttaget.
- Har säkringen som är ansluten till kylskåpet gått? Kontrollera säkringen.

Kondens på kylskåpets sidoväggar (MULTIZON, KYLKONTROLL och FLEXIZON).

- Mycket kalla omgivande förhållanden. Dörren öppnas och stängs ofta. Hög luftfuktighet i den omgivande luften. Lagring av mat med vätska i öppna behållare. Dörren har lämnats öppen. Vrid termostaten till ett kallare läge.
- Minska tiden som dörren lämnas öppen eller öppna inte så ofta.
- Täck över mat som lagras i öppna behållare med ett lämpligt material.
- Torka av kondens med en torr trasa och kontrollera om den kvarstår.

Kompressorn går inte

- Det termiska skyddet i kompressorn kommer att lösas ut vid plötsliga strömavbrott då kylskåpets tryck i kylsystemet inte har balanserats. Ditt kylskåp startar efter omkring 6 minuter. Tillkalla service om kylskåpet inte startar i slutet av den här perioden.
- Frysen är i avfrostningsläge. Det här är normalt för en helautomatiskt avfrostande kyl. Avfrostningscykeln inträffar regelbundet.
- Kylskåpet är inte inkopplat i strömkällan. Kontrollera att kontakten sitter ordentligt i uttaget.
- Är temperaturinställningen korrekt?
- Strömmen kan kapas.

Kylskåpet körs ofta eller under en längre tid.

- Din nya produkt kan vara bredare än det gamla. Detta är helt normalt. Stora kylskåp arbetar under en längre tidsperiod.
- Den omgivande rumstemperaturen kan vara hög. Detta är helt normalt.
- Kylskåpet kan ha varit inkopplat nyligen eller ha fyllts på med mat. Det kan ta flera timmar innan kylskåpet har kylts ned helt.
- Stora mängder mat kanske har placerats i kylskåpet nyligen. Varm mat gör att kylskåpet arbetar längre för att uppnå önskad temperatur.
- Dörren kanske har öppnats ofta eller lämnats öppen under en längre tid. Den varma luften som har kommit in i kylskåpet gör att kylskåpet arbetar under längre perioder. Öppna inte dörrarna så ofta.
- Frysens eller kylfackets dörr kanske har lämnats öppen. Kontrollera om dörren är ordentligt stängd.
- Kylskåpet är inställt på en mycket kall nivå. Justera kylskåpstemperaturen till en högre nivå tills temperaturen är enligt önskemål.
- Dörrens tätning på kyl eller frys kan vara sliten, smutsig eller trasig. Rengör eller byt tätningen. Skadade tätningar kan göra att kylskåpet körs under en längre tid för att bibehålla den aktuella temperaturen.

Frystemperaturen är mycket låg när kyltemperaturen är normal.

- Frysens temperatur är inställd på en mycket kall nivå. Justera frystemperaturen till en högre nivå och kontrollera.

Kyltemperaturen är mycket låg när frystemperaturen är normal.

- Kylens temperatur kanske är inställd på en mycket låg temperatur. Justera kyltemperaturen till en högre nivå.

Mat som förvaras i kylskåpsfacken fryser.

- Kylens temperatur kanske är inställd på en mycket låg temperatur. Justera kyltemperaturen till en högre nivå.

Temperaturen i kylan eller frysen är mycket hög.

- Kylens temperatur kanske är inställd på en mycket hög temperatur. Kylinställningen påverkar frysens temperatur. Sänk temperaturen för kyl eller frys tills den ligger på acceptabel nivå.
- Dörren kanske har öppnats ofta eller lämnats öppen under en längre tid.
- Kylskåpsdörren kan ha lämnats öppen; stäng dörren direkt.
- Stora mängder mat kanske har placerats i kylskåpet nyligen. Vänta tills kylan eller frysen uppnår önskad temperatur.
- Kylskåpet kanske nyligen har kopplats in. Nedkylningen kan ta tid.

Kylskåpet dånar när det går.
<ul style="list-style-type: none"> Egenskaperna hos kylskåpet kan ändras enligt den omgivande temperaturen. Detta är normalt och inte något fel.
Vibrationer eller felbalans.
<ul style="list-style-type: none"> Golvet är ojämnt eller svagt. Kylskåpet skakar när det rör sig långsamt. Säkerställ att golvet är rakt, kraftigt och att det klarar tyngden från kylskåpet. Ljudet kan orsakas av saker som ligger ovanpå kylen. Föremål på kylskåpet ska tas bort.
Det förekommer ljud från kylskåpet som låter som dropp eller sprutning.
<ul style="list-style-type: none"> Vätske- och gasflöden sker i enlighet med användningsprinciperna för ditt kylskåp. Detta är normalt och inte något fel.
Det förekommer ljud som låter som vind.
<ul style="list-style-type: none"> Fläktar används för att kyla ned kylskåpet. Detta är normalt och inte något fel.
Kondens på innerväggarna i kylskåpet.
<ul style="list-style-type: none"> Varmt och fuktigt väder ökar isbildning och kondens. Detta är normalt och inte något fel. Dörrarna kan ha lämnats öppna; se till att stänga dörrarna ordentligt. Dörren kanske har öppnats ofta eller lämnats öppen under en längre tid.
Fukt bildas på kylskåpets utsida eller mellan dörrarna.
<ul style="list-style-type: none"> Det kan finnas fukt i luften; detta är normalt vid fuktig väderlek. När fuktnivån är lägre försvinner kondensen.
Dålig lukt inne i kylen.
<ul style="list-style-type: none"> Kylskåpets insida måste rengöras. Rengör kylskåpets insida med en svamp och varmt vatten. Vissa behållare eller förpackningsmaterial kan orsaka lukt. Använd en annan behållare eller olika förpackningsmaterial.
Dörren stängs inte.
<ul style="list-style-type: none"> Matpaket kan vara i vägen. Byt ut förpackningarna som ligger ivägen för dörren. Kylskåpet står inte helt rakt på golvet och svajar lätt när det förflyttas. Justera lyftskruvarna. Golvet är inte helt plant eller tillräckligt starkt. Säkerställ att golvet är rakt, kraftigt och att det klarar tyngden från kylskåpet.
Grönsaker fastnar.
<ul style="list-style-type: none"> Maten kanske vidrör taket i lådan. Sortera om maten i facket.

Prosimo, da najprej preberete navodila za uporabo!

Dragi kupec,

Upamo, da bo naprava, ki je bila izdelana v vrhunskih proizvodnih obratih in preizkušena z natančnimi postopki kakovosti, zagotovila veliko let kakovostnega delovanja.




Zato priporočamo, da pred uporabo pazljivo preberete celotna navodila za uporabo naprave in jih hranite v bližini, saj jih boste morda potrebovali v prihodnje.

Priročnik

- Priročnik vam bo pomagal pri hitri in varni uporabi naprave.
 - Priročnik preberite preden napravo namestite in uporabite.
 - Sledite navodilom, predvsem varnostnim.
 - Priročnik hranite na lahko dosegljivem mestu, saj ga boste morda kasneje potrebovali.
 - Poleg tega preberite tudi ostale dokumente, ki so priloženi napravi.
- Prosimo upoštevajte, da je priročnik lahko veljaven tudi za druge modele.

Simboli in njihov opis

Navodila za uporabo vsebujejo naslednje simbole:

-  Pomembne informacije in koristni nasveti za uporabo.
-  Opozorila pred nevarnostmi za življenje in lastnino.
-  Opozorila pred električno napetostjo.



Izdelek vsebuje izbirni sortirni simbol za odpadno električno in elektronsko opremo (OEEO).

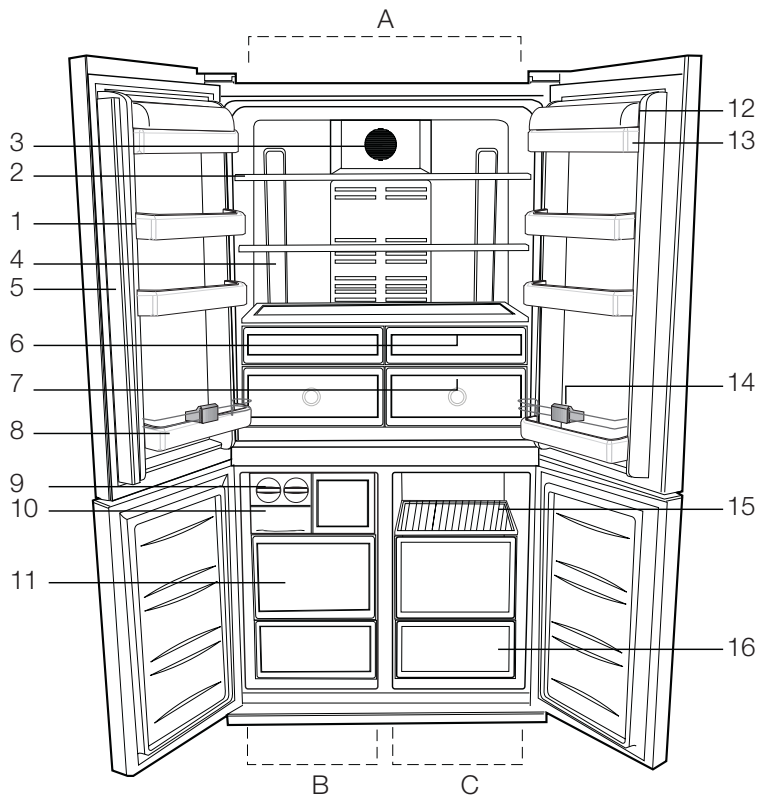
To pomeni, da je treba z izdelkom ravnati v skladu z Evropsko direktivo 2002/96/ES in ga reciklirati ali demontirati tako, da se zmanjša vpliv na okolje. Za nadaljnje informacije se prosimo obrnite na lokalne ali regionalne oblasti.

Elektronski izdelki, ki niso vključeni v selektivni sortirni proces so potencialno nevarni za okolje in človeško zdravje zaradi prisotnosti nevarnih substanc.

VSEBINA

1 Vaš hladilnik	3	4 Uporaba hladilnika	12
2 Pomembna varnostna opozorila	4	Indikatorska tabla	12
Namen uporabe	4	Alarm za odprta vrata:	14
Za naprave z dispenzerjem za vodo;..	6	Pladenj za jajca.....	15
Varnost otrok.....	6	Drsne police na trupu	15
Opozorilo HCA	6	Predel za sveža živila	15
Varčevanje z energijo	7	Predel za hlajenje.....	15
Priporočila za predel za sveža živila....	7	Pomičen srednji predel	16
3 Namestitev	8	Večnamenski predel za shranjevanje	16
Priprava.....	8	Modra luč.....	16
Napotki, ki jih je treba upoštevati ob ponovnem prevozu hladilnika.....	8	5 Vzdrževanje in čiščenje	17
Zamenjava žarnice	8	Zaščita plastičnih površin	17
Pred uporabo hladilnika	9	6 Priporočljive rešitve za težave	18
Električna povezava.....	9		
Odstranjevanje embalaže.....	9		
Odstranjevanje starega hladilnika.....	10		
Namestitev in montaža	10		
Prilagoditev ravnotežja dna	10		
Prilagoditev odprtine med zgornjimi vrati	11		

1 Vaš hladilnik



- A- Hladilni del
- B- Zamrzovalni del
- C- Večnamenski predel

- | | |
|---|--|
| 1- Police na vratih hladilnega dela | 8- Polica za steklenice |
| 2- Nastavljive police omarice hladilnega dela | 9- Ledomat |
| 3- Pokrov difuzorja | 10- Posoda za led |
| 4- Leča za osvetljavo | 11- Predel za shranjevanje zamrznjenih živil |
| 5- Vrtljiv srednji predel | 12- Pokrov police za maslo & sir |
| 6- Predel za hlajenje | 13- Polica za maslo & sir |
| 7- Predel za sveža živila | 14- Nosilec steklenic |
| | 15- Police večnamenskega predela |
| | 16- Večnamenski predel |

i Slike v navodilih za uporabo so shematske in morda ne ustrezajo vašemu proizvodu. Če naprava, ki ste jo kupili, ne vsebuje določenih delov, so veljavni za druge modele.

2 Pomembna varnostna opozorila

Prosimo, preglejte naslednje informacije. Če ne boste upoštevali teh informacij, lahko pride do telesnih poškodb ali poškodb materiala. V nasprotnem primeru garancija in zanesljivost nista veljavni.

Tehnična življenjska doba naprave, ki ste jo kupili, je 10 let. Za ta čas hranite rezerve dele, ki so potrebni za delovanje naprave.

Namen uporabe

Naprava je namenjena uporabi

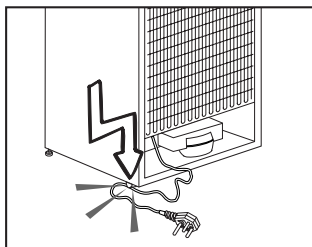
- znotraj in v zaprtih prostorih, kot so domovi;
- v zaprtih delovnih prostorih kot so trgovine ali pisarne;
- v zaprtih prostorih za nastanitev, kot so kmetije, hoteli, penzioni.
- Naprave ne uporabljajte na prostem.

Splošna varnost

- Ko želite proizvod odstraniti/odvreči, Vam priporočamo, da se posvetujete s pooblaščen servisno službo in organi, da pridobite potrebne informacije.
- Pri morebitnih vprašanjih ali težavah s hladilnikom se posvetujte s pooblaščen servisno službo. Brez sporočila pooblaščen servisni službi ne posegajte v hladilnik sami ali s tujo pomočjo.
- Za naprave z zamrzovalnim delom; Sladoleda in ledenih kock ne jejte takoj, ko jih vzamete iz zamrzovalnega dela! (Povzročijo lahko ozeblino v ustih.)
- Za naprave z zamrzovalnim delom; V zamrzovalnem delu ne shranjujte tekočin v steklenicah ali pločevinkah. V nasprotnem primeru lahko počijo.
- Zamrznjenih živil se ne dotikajte z rokami, saj lahko primrznejo.
- Pred čiščenjem ali odtajanjem hladilnik izključite iz električnega omrežja.
- Hladilnika nikoli ne čistite in odtajajte s paro ali parnimi čistilnimi sredstvi. Para lahko pride v stik z električnimi deli in povzroči kratki stik ali električni udar.
- Delov hladilnika kot so vrata nikoli ne uporabljajte kot opornike ali stopnico.
- V hladilniku ne uporabljajte električnih naprav.
- Delov, kjer hladilno sredstvo kroži, ne poškodujte z napravami za vrtnanje ali rezanje. Če se plinski kanali izparilnika, podaljški cevi ali površinske prevleke prebodejo, lahko hladilno sredstvo prodre in povzroči draženje kože ali poškodbe oči.
- Ne pokrivajte ali blokirajte zračnih odprtin na hladilniku z nobenim materialom.
- Električne naprave lahko popravljajo samo pooblaščene osebe. Popravila, ki jih izvajajo nepooblaščene osebe, povzročijo nevarnost za uporabnika.
- V primeru kakršnekoli napake ali pred vzdrževalnimi deli in popravili obvezno izključite električno napajanje hladilnika tako, da izključite zadevno varovalko ali iztaknete vtič naprave.

- Ko izklopite vtič, ne vlecite za kabel.
- Koncentrirane alkoholne pijače hranite dobro zaprte in v pokončnem položaju.
- V hladilniku nikoli ne shranjujte razpršilcev, ki vsebujejo vnetljive in eksplozivne substance.
- Za pospeševanje postopka odtajanja ne uporabljajte mehanskih naprav ali drugih pripomočkov, razen tistih, ki jih priporoča proizvajalec.
- Naprave naj ne uporabljajo osebe s fizičnimi, senzornimi ali duševnimi motnjami ali osebe, ki nimajo potrebnega znanja oziroma izkušenj (vključno z otroki), razen če jih nadzira oseba, ki je odgovorna za njihovo varnost ali oseba, ki jim bo ustrezno svetovala glede uporabe naprave.
- Ne uporabljajte poškodovanega hladilnika. Če imate kakršne koli pomisleke, se obrnite na servisno službo.
- Električna varnost hladilnika je zagotovljena, le če ozemljitveni sistem v hiši ustreza standardom.
- Izpostavljanje proizvoda dežju, snegu, soncu ali vetru predstavlja električno nevarnost.
- Če je napetostni kabel poškodovan, se obrnite na pooblaščen servisno službo, da se izognete nevarnostim.
- Hladilnika med montažo nikoli ne vključite v vtičnico. V nasprotnem primeru obstaja nevarnost smrti ali resne poškodbe.
- Hladilnik je namenjen samo shranjevanju živil. Ne uporabljajte ga v druge namene.
- Etiketa s tehničnimi specifikacijami se nahaja na levi steni znotraj hladilnika.

- Hladilnika ne priključujte na sisteme varčevanja električne energije, saj ga lahko poškodujejo.
- Če je na hladilniku modra lučka, ne glejte vanjo skozi optične naprave.
- Pri hladilnikih z ročnim upravljanjem, počakajte vsaj 5 minut, preden ga po električnem izpadu ponovno priključite.
- Če napravo dobi nov lastnik, mu izročite tudi navodila za uporabo.
- Med prenašanjem hladilnika ne poškodujte napetostnega kabla. Upogibanje kabla lahko povzroči požar. Na napetostni kabel nikoli ne postavljajte težkih predmetov. Ko napravo priklapljate, se ne dotikajte vtiča z mokrimi rokami.



- Hladilnika ne priključujte v razrahljano vtičnico.
- Iz varnostnih razlogov na notranjih ali zunanjih delih naprave ne škropite vode.
- V bližini hladilnika ne pršite vnetljivih plinov, kot je propan, saj obstaja nevarnost požara ali eksplozije.
- Na hladilnik nikoli ne postavljajte posod z vodo, saj to lahko povzroči električni udar ali požar.
- Hladilnika ne preobremenjujte s prekomernimi količinami živil. Če je naprava prenapolnjena, lahko živila med odpiranjem vrat hladilnika padejo dol in vas poškodujejo ali povzročijo škodo na hladilniku. Na hladilnik nikoli ne postavljajte predmetov, saj lahko med odpiranjem ali zapiranjem vrat hladilnika padejo dol.

- Cepiv, zdravil, občutljivih na toploto, znanstvenih materialov itd. ne shranjujte v hladilnik, saj zahtevajo določeno temperaturo.
- Če hladilnika ne boste uporabljali dlje časa, ga izklopite. Težave v napetostnem kablu namreč lahko povzročijo požar.
- Konico vtiča je treba redno čistiti, saj lahko v nasprotnem primeru povzroči požar.
- Konico vtiča je treba redno čistiti s suho krpo, saj lahko v nasprotnem primeru povzroči požar.
- Če nastavljive noge niso dobro nameščene na tleh, se hladilnik lahko premika. Če nastavljive noge dobro namestite na tla, lahko preprečite premikanje hladilnika.
- Med prenašanjem hladilnika ne držite za ročaje na vratih, saj jih lahko odtrgate.
- Če napravo namestite zraven drugega hladilnika ali zamrzovalnika, naj bo razdalja med napravami vsaj 8 cm. V nasprotnem primeru se lahko na sosednjih stenah naprav pojavi vlaga.

Za naprave z dispencerjem za vodo;

Pritisk vodovodnega omrežja naj bo vsaj 1 bar. Pritisk vodovodnega omrežja naj bo največ 8 barov.

- Uporabljajte samo pitno vodo.

Varnost otrok

- Če imajo vrata ključavnico, jo hranite izven dosega otrok.
- Otroke je treba nadzirati, da se ne igrajo z napravo.

Opozorilo HCA

Če hladilni sistem naprave vsebuje R600a:

Ta plin je vnetljiv. Zato pazite, da med uporabo in transportom ne poškodujete hladilnega sistema in cevi. V primeru poškodbe, naj proizvod ne bo v bližini potencialnih virov ognja, ob katerih se lahko vname in prezračite prostor, v katerem je naprava.

To opozorilo ne velja, če hladilni sistem vaše naprave vsebuje R134a.

Vrsta plina, ki ga vsebuje naprava, je navedena na tipski plošči na levi steni znotraj hladilnika.

Naprave nikoli ne sežgite, da bi se je znebili.

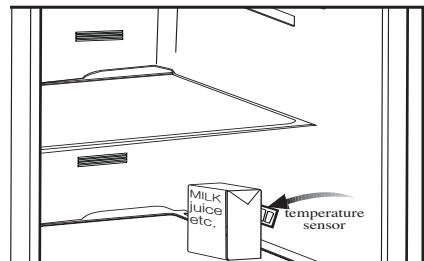
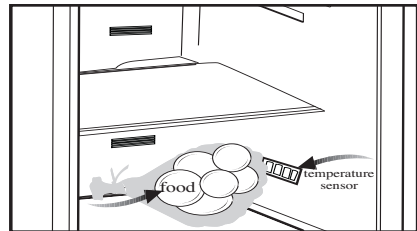
Varčevanje z energijo

- Vrat hladilnika ne puščajte odprtih dalj časa.
- V hladilniku ne shranjujte toplih živil ali pijač.
- Hladilnika ne napolnite preobilno, saj s tem preprečite kroženje zraka.
- Hladilnika ne postavljajte na neposredno sočno svetlobo ali v bližino naprav, ki oddajajo toploto, kot so pečice, pomivalni stroji ali radiatorji.
- Živila shranjujte v zaprtih posodah.
- Za naprave z zamrzovalnim delom; v napravo lahko shranite največjo količino živil, če odstranite polico ali predal zamrzovalnika. Vrednost porabe energije se je določila, ko se je odstranila polica ali predal zamrzovalnika in je bila naprava napolnjena z največjo količino živil. Uporaba police ali predala glede na oblike in velikost živil, ki jih želite shraniti, ne predstavlja nevarnosti.
- Odtajanje zamrznjenih živil v hladilnem delu, bo privarčevalo energijo in ohranilo kakovost živil.

Priporočila za predel za sveža živila

* PO IZBIRI

- Preprečite, da bi živila prišla v stik s senzorjem za temperaturo v predelu za sveža živila. Da bi v predelu za sveža živila ohranili popolno temperaturo za shranjevanje, poskrbite, da senzorja ne bodo ovirala živila.
- V napravo ne nalagajte vročih živil.



3 Namestititev

⚠ Proizvajalec ne bo odgovarjal, če ne boste upoštevali informacij v navodilih za uporabo.

Priprava

- Hladilnik morate namestiti vsaj 30 cm od virov toplote kot so kuhalne plošče, pečice, glavni grelci ali štedilniki in vsaj 5 cm od električnih pečic, prav tako ga ne postavljajte pod neposredno sončno svetlobo.
- Temperatura prostora kjer boste namestili hladilnik naj bo vsaj 10°C. Delovanje hladilnika v hladnejših pogojih ni priporočljivo, saj vpliva na njegovo učinkovitost.
- Prepričajte se, da je notranjost hladilnika popolnoma čista.
- Če bosta dva hladilnika nameščena drug ob drugem, naj bo vmes vsaj 2 cm razmika.
- Pri prvi uporabi hladilnika upoštevajte naslednja navodila med prvimi šestimi urami delovanja.
 - Izognite se pogostemu odpiranju vrat.
 - Delovati mora prazen, brez živil.
 - Hladilnika ne izklopite. Če se pojavi nenadzorovan izpad elektrike, upoštevajte opozorila v poglavju »Priporočljive rešitve za težave«.
- Originalno embalažo in penasti material shranite za prihodnji prevoz ali premikanje.

Napotki, ki jih je treba upoštevati ob ponovnem prevozu hladilnika

1. Hladilnik morate izprazniti in očistiti pred vsakim prevozom.
2. Police, pripomočke, predale za sveža živila itd. v hladilniku pred ponovnim pakiranjem varno pritrdite z lepilnim trakom, da jih zaščitite pred sunki.
3. Embalažo pričvrstite z debelimi trakovi in močnimi vrvmi ter sledite navodilom za prevoz natisnjenih na embalaži.

Prosimo, ne pozabite ...

Vsak recikliran material je nujen vir za naravo in nacionalne vire.

Če želite sodelovati pri recikliranju embalažnega materiala, se za nadaljnje informacije obrnite na okoljske organe ali lokalne oblasti.

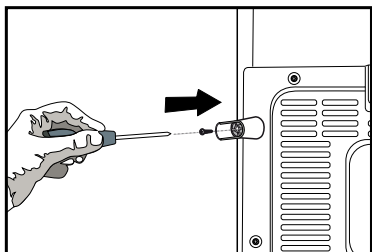
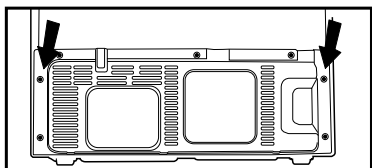
Zamenjava žarnice

Zamenjavo žarnice, ki se uporablja za osvetlitev hladilnika, naročite na pooblaščenem servisu.

Pred uporabo hladilnika

Preden pričnete uporabljati hladilnik, preverite naslednje;

1. Ali je notranjost hladilnika suha in lahko zrak v zadnjem delu prosto kroži?
2. Na prezračevanje na zadnji strani namestite 2 plastična klina, kot je prikazano na naslednji sliki. Odvijte že uporabljene in uporabite vijake, ki so v vrečki s klini. Plastična klina zagotovita potrebno razdaljo med hladilnikom in steno za neovirano kroženje zraka.



3. Notranjost hladilnika očistite kot je priporočeno v poglavju »Vzdrževanje in čiščenje«.
4. Hladilnik priključite v vtičnico električnega omrežja. Ko se vrata odprejo, zasveti notranja luč.
5. Ko se vklopi kompresor, boste zaslišali hrup. Tekočina in plini v hladilnem sistemu običajno lahko povzročijo hrup, tudi kadar kompresor ne deluje.
6. Sprednji robovi hladilnika so na dotik lahko topli. To je običajno. Te površine so oblikovane, tako da so tople, kar preprečuje kondenzacijo.

Električna povezava

Hladilnik priključite v ozemljeno vtičnico, ki je zaščitena z varovalko ustrezne zmogljivosti.

Pomembno;

- Priključitev mora ustrezati nacionalnim predpisom.
 - Vtič napajalnega kabla naj bo po namestitvi lahko dostopen.
 - Napetost in dovoljena zaščita varovalke sta navedeni v poglavju " Tehnične specifikacije".
 - Določena napetost mora ustrezati omrežni napetosti.
 - Za priključitev ne uporabljajte podaljševalnih kablov ali večpotnih vtičev.
- ⚠ Poškodovan napajalni kabel lahko zamenja le usposobljen električar.
- ⚠ Naprave ne uporabljajte preden ni popravljena! Obstaja nevarnost električnega udara!

Odstranjevanje embalaže

Embalažni material je lahko nevaren za otroke. Embalažni material hranite izven dosega otrok ali ga odstranite v skladu z navodili za odstranjevanje odpadkov. Ne odstranite ga z običajnimi gospodinjskimi odpadki. Embalaža hladilnika je izdelana iz materiala primerne za recikliranje.

Odstranjanje starega hladilnika

Staro napravo odstranite okolju prijazno.

- Glede odstranjanja hladilnika se posvetujte s pooblaščenim prodajalcem ali centrom za zbiranje odpadkov v vaši občini.

Preden odstranite hladilnik, izklopite električni vtič in onemogočite morebitne ključavnice na vratih, da zaščitite otroke pred nevarnostmi.

Namestitev in montaža

Opozorilo: Hladilnika med montažo nikoli ne vključite v vtičnico. V nasprotnem primeru obstaja nevarnost smrti ali resne poškodbe.

Če vhodna vrata sobe, kjer boste namestili hladilnik niso dovolj široka, da bi hladilnik lahko spravili skozi, pokličite pooblaščen servisno službo, da bodo odstranili vrata hladilnika in ga bočno spravite skozi vrata.

1. Namestite hladilnik na mesto, ki bo omogočalo preprosto uporabo.
2. Hladilnik naj ne bo v bližini toplotnih virov, vlažnih prostorov ali neposredne sončne svetlobe.
3. Za učinkovito delovanje mora biti prostor okrog hladilnika ustrezno prezračen.

Če bo hladilnik nameščen v vdolbino v steni, mora biti najmanj 5 cm razmika od stropa in najmanj 5 cm razmika od stene.

Če so tla pokrita s preprogo, mora biti proizvod 2,5 cm nad tlemi.

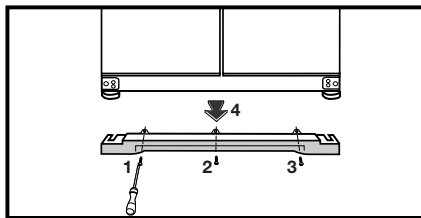
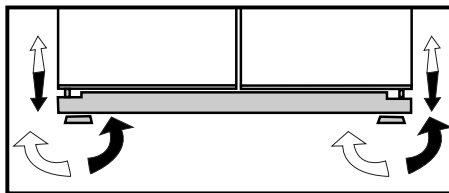
4. Da bi preprečili tresenje, namestite hladilnik na ravno talno površino.

5. Temperatura prostora, kjer je hladilnik, naj ne bo pod 10 °C.

Prilagoditev ravnotežja dna

Če vaš hladilnik ni izravnán;

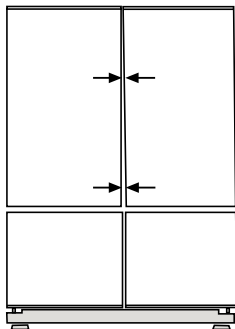
1- Pokrov ventilatorja odstranite, če odvijete vijake kot je prikazano na sliki pred postopkom. Hladilnik lahko izravnate tako, da sprednje noge zavrtite, kot kaže slika. Kot, kjer je noga, je spuščén, če obrnete v smeri črne puščice in dvignjen, če obrnete v nasprotno smer. Olajšajte si delo in prosite za pomoč drugo osebo, ki naj rahlo privzdigne hladilnik.



2. Ko napravo izravnate, ponovno namestite pokrov ventilatorja in pritrдите vijake.

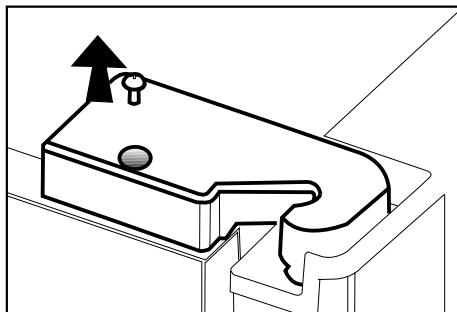
3. Vijake, s katerimi je pritrjen spodnji pokrov ventilatorja, odvijete z izvijačem Philips.

Prilagoditev odprtine med zgornjimi vrati



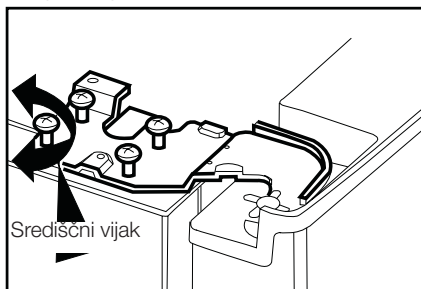
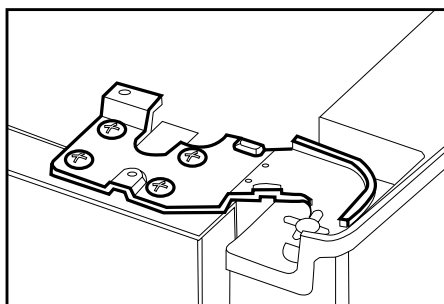
• Odprtino med vrati hladilnega dela lahko prilagodite kot je prikazano na sliki.

Ko prilagajate višino vrat, izpraznite police na vratih.

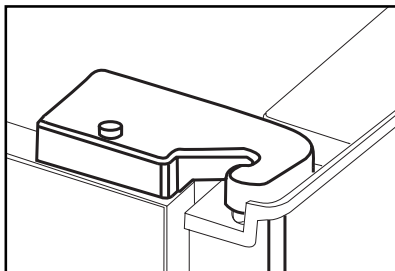
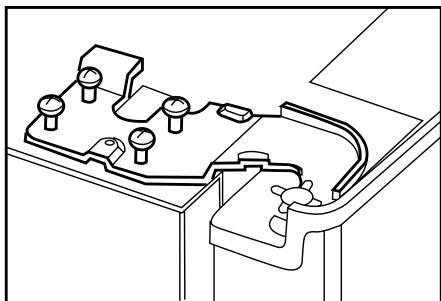


• Z izvijačem odstranite vijak zgornjega pokrova tečaja vrat, ki jih želite prilagoditi.

• Prilagodite vrata po želji, tako da zrahljate vijake.



• Ko ste vrata prilagodili, jih pritrdite, tako da pričvrstite vijake, brez da bi spremenili položaj vrat.

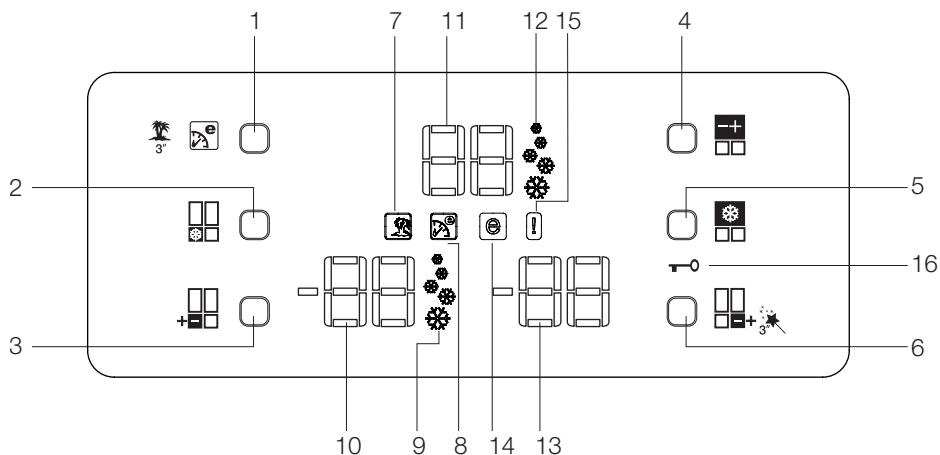


• Zamenjajte pokrov tečaja in pritrdite z vijakom.

4 Uporaba hladilnika

Indikatorska tabla

Indikatorska tabla z nadzorom na dotik omogoča nastavitve temperature brez da bi odprli vrata hladilnika. Za nastavitve temperature se s prstom dotaknete ustreznega gumba.



1. Gumb "Eco Extra/Vacation" (posebno varčevanje/počitnice)
2. Gumb za hitro zamrzovanje
3. Gumb za nastavitve temperature zamrzovalnega dela
4. Gumb za nastavitve temperature hladilnega dela
5. Gumb "Quick Cool" (hitro hlajenje)
6. Gumb za nastavitve temperature večnamenskega predela za shranjevanje
7. Kazalec funkcije "Vacation" (počitnice)
8. Kazalec funkcije "Eco Extra" (posebno varčevanje)
9. Kazalec funkcije "Quick Freeze" (hitro zamrzovanje)
10. Kazalec temperature zamrzovalnega dela
11. Kazalec temperature hladilnega dela
12. Kazalec funkcije "Quick Cool" (hitro hlajenje)
13. Kazalec temperature večnamenskega predela za shranjevanje
14. Kazalec za varčen način
15. Kazalec za napake
16. Kazalec za ključavnico

i Slike v navodilih za uporabo so shematske in morda ne ustrezajo vašemu proizvodu. Če naprava, ki ste jo kupili, ne vsebuje določenih delov, so veljavni za druge modele.

1. Gumb "Eco Extra/Vacation" (posebno varčevanje/počitnice)

Pritisnite gumb za aktiviranje funkcije "Eco Extra" (posebno varčevanje). Za vklop funkcije "Vacation" (počitnice) pritisnite in držite gumb 3 sekunde. Za izklop izbrane funkcije ponovno pritisnite gumb.

2. Gumb "Fast Freeze" (hitro zamrzovanje)

Pritisnite gumb za aktiviranje funkcije "Fast Freeze" (hitro zamrzovanje). Za izklop izbrane funkcije ponovno pritisnite gumb.

3. Gumb za nastavitev temperature zamrzovalnega dela

Temperature zamrzovalnega dela nastavite na -18, -20, -22, -24, -18... če pritisnete gumb zaporedoma. Pritisnite gumb za nastavitev zelene temperature zamrzovalnega dela.

4. Gumb za nastavitev temperature hladilnega dela

Temperature hladilnega dela nastavite na 8, 6, 4, 2, 8..., če pritisnete gumb zaporedoma. Pritisnite gumb za nastavitev zelene temperature hladilnega dela.

5. Gumb »Quick Cool« (hitro hlajenje)

Pritisnite gumb za aktiviranje funkcije "Quick Cool" (hitro hlajenje). Za izklop izbrane funkcije ponovno pritisnite gumb.

6. Gumb za nastavitev temperature večnamenskega predela za shranjevanje

Večnamenski predel za shranjevanje lahko nastavite kot zamrzovalnik

ali hladilnik. Večnamenski predel za shranjevanje nastavite kot zamrzovalnik ali hladilnik, če pritisnite in držite gumb 3 sekunde. Predel je tovarniško nastavljen kot zamrzovalni predel.

Če je večnamenski predel za shranjevanje nastavljen kot zamrzovalnik, se bo temperatura večnamenskega predela za shranjevanje spreminjala v zaporedju -18, -20, -22, -24, -18... vsakokrat, ko pritisnete gumb.

Če je večnamenski predel za shranjevanje nastavljen kot hladilnik, se bo temperatura večnamenskega predela za shranjevanje spreminjala v zaporedju 10, 8, 6, 4, 2, 0, -6,... vsakokrat, ko pritisnete gumb.

7. Kazalec funkcije "Vacation" (počitnice)

Označuje, da je vklopljena funkcija "Vacation" (počitnice). Če je ta funkcija vklopljena, se na kazalcu hladilnega dela prikaže "- -" in hladilni del se ne hladi. Drugi predeli se hladijo skladno z nastavljenimi temperaturami.

Za izklop funkcije ponovno pritisnite ustrezen gumb.

8. Kazalec funkcije »Eco Extra« (posebno varčevanje)

Označuje, da je vklopljena funkcija "Eco Extra" (posebno varčevanje). Če je funkcija vklopljena, bo hladilnik samodejno zaznal obdobja najmanjše uporabe in v tem času izvajal energijsko varčno hlajenje. Med energijsko varčnim hlajenjem bo vklopljen kazalec za varčno porabo.

Za izklop funkcije ponovno pritisnite ustrezen gumb.

9. Kazalec funkcije »Quick Freeze« (hitro zamrzovanje)

Označuje, da je vklopljena funkcija "Quick Freezer" (hitro zamrzovanje). Funkcijo vklopite, ko v zamrzovalni del postavite sveža živila ali ko potrebujete led. Ko je funkcija vklopljena, bo hladilnik neprekinjeno deloval 6 uri.

Za izklop funkcije ponovno pritisnite ustrezen gumb.

10. Kazalec temperature zamrzovalnega dela

Prikazuje nastavljeno temperaturo zamrzovalnega dela.

11. Kazalec temperature hladilnega dela

Prikazuje nastavljeno temperaturo hladilnega dela.

12. Kazalec funkcije »Quick Cool« (hitro hlajenje)

Označuje, da je vklopljena funkcija "Quick Cool" (hitro hlajenje). Funkcijo vklopite, ko v hladilni del postavite sveža živila ali ko želite živila hitro ohladiti. Ko je funkcija vklopljena, bo hladilnik neprekinjeno deloval 2 uri.

Za izklop funkcije ponovno pritisnite ustrezen gumb.

13. Kazalec temperature večnamenskega predela za shranjevanje

Označuje nastavljeno temperaturo večnamenskega predela za shranjevanje.

14. Kazalec za varčen način

Označuje, da hladilnik deluje v energijsko varčnem načinu. Temperatura zamrzovalnega dela Kazalec bo vklopljen, če je funkcija nastavljena na -18 ali če je vklopljena funkcija "Eco-Extra" (posebno varčevanje) in se izvaja energijsko varčno hlajenje.

15. Kazalec za napake

Kazalec se vklopi ob neustreznem hlajenju hladilnika ali če se pojavi okvara senzorja. Ko je kazalec vklopljen, se na kazalcu temperature zamrzovalnega dela prikaže "E", kazalec temperature hladilnega dela pa prikaže številke "1,2,3...". Številke na kazalcu servisnemu osebju posredujejo informacije o napaki.

16. Kazalec za ključavnico

To funkcijo uporabite, če ne želite, da se nastavljena temperatura hladilnika spremeni. Za aktiviranje funkcije istočasno pritisnite gumb "Quick Cool" (hitro hlajenje) in gumb za nastavev temperature večnamenskega predela za shranjevanje 3 sekunde.

Za izklop funkcije ponovno pritisnite ustrezna gumba.

Alarm za odprta vrata:

Zvočni alarm za odprta vrata se vklopi, če so vrata hladilnega dela ali **večnamenskega** predela za shranjevanje odprta najmanj 1 minuto. Alarm se izklopi, če pritisnete kateri koli gumb na kazalcu ali zaprete vrata.

Pladenj za jajca

Polico za jajca lahko namestite na želeno polico na vratih ali trupu.

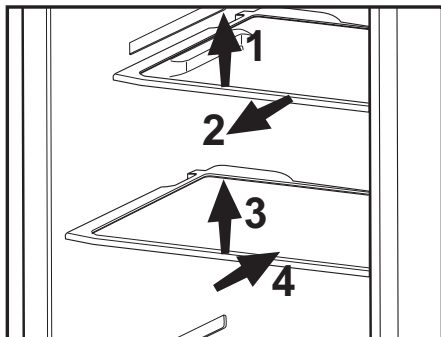
Police za jajca nikoli ne shranjujte v zamrzovalnem delu.

Drzne police na trupu

Drzne police na trupu lahko izvlečete, če jih spredaj nekoliko dvignete in jih nato pomikate nazaj in naprej. Ko jih izvlečete, da bi dosegli živila na koncu police, se na določeni točki zaustavijo; ko jih na drugi točki zaustavitve nekoliko dvignete in izvlečete, se sprostijo polica na trupu.

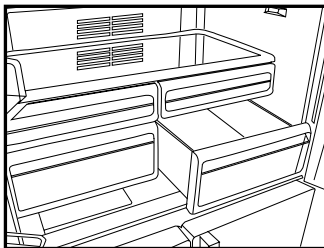
Da se polica ne prevrne jo od spodaj trdno držite. Polica na trupu je nameščena na stranskih vodilih na trupu hladilnika, ki jo lahko spustijo ali dvignejo za eno raven.

Polico na trupu potisnite nazaj, da jo popolnoma namestite.



Predel za sveža živila

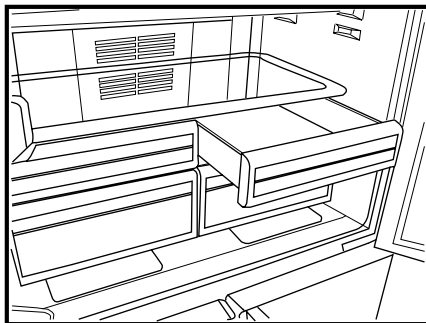
Predel za sadje in zelenjavo v hladilniku je oblikovan posebej z namenom ohranяти svežino zelenjave in sadja ter vlago. V ta namen okrog predela za sveža živila kroži hladen zrak.



Predel za hlajenje

Predel za hlajenje omogoča, da se živila pripravijo za zamrzovanje. Te predelke lahko uporabite tudi za shranjevanje živil na temperaturi, za nekaj stopinj manjši od tiste v predelu zamrzovalnika.

Notranjo prostornino hladilnika povečate tako, da odstranite katerikoli predel za hlajenje. Zato povlecite predel proti sebi; predel se bo nagnil proti zaustavljalju in se zaustavil. Predel bo sproščen, če ga dvignete za približno 1 cm in povlečete proti sebi.



Pomičen srednji predel

Pomičen srednji predel preprečuje uhajanje hladnega zraka v hladilniku.

1- Ko so vrata hladilnega dela zaprta in tesnilo na vratih potisne ob pomičen srednji predel so vrata zatesnjena.

2- Naslednji razlog, da hladilnik vsebuje pomičen srednji predel je, da se poveča neto prostornina hladilnega dela. Standardni srednji predeli zavzemajo prostornino v hladilniku, ki je neuporabna.

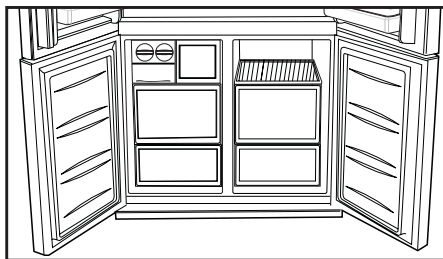
3- Pomičen srednji predel je zaprt, ko so zaprta leva vrata hladilnega dela.

4- Ne odpirajte ga ročno. Pomika se s pomočjo plastičnega dela trupa, ko se vrata zaprejo.

Večnamenski predel za shranjevanje

Večnamenski predel za shranjevanje se lahko uporablja v kateremkoli želenem načinu, tako da ga prilagodite temperaturam hladilnika (2/4/6/8 °C) ali zamrzovalnika (-18/-20/-22/-24). Predel lahko obdrži želeno temperaturo z gumbom za nastavitev temperature večnamenskega predela za shranjevanje. Temperaturo večnamenskega predela za shranjevanje lahko nastavite na 0 do 10 stopinj, glede na temperaturo hladilnika, ter do -6 stopinj, glede na temperaturo zamrzovalnika. 0 stopinj se uporablja za daljše shranjevanje delikatesnih izdelkov in -6 stopinj za shranjevanje mesnih izdelkov do 2 tednov, da ostanejo primerni za rezanje.

i Funkcijo preklopa med hladilnikom in zamrzovalnikom omogoča hladilni element, ki se nahaja v zaprtem predelu (predel kompresorja) za hladilnikom. Med delovanjem tega elementa lahko slišite zvoke, ki so podobni zvokom analogne ure. To je normalno in ni okvara.



Modra luč

Živila, shranjena v predelih za sveža živila, ki so osvetljeni z modro lučjo, s pomočjo valovne dolžine modre luči nadaljujejo fotosintezo in tako ohranijo svežino in povečajo vsebnost vitaminov.



5 Vzdrževanje in čiščenje

- ⚠ Pri čiščenju nikoli ne uporabljajte bencina, benzena ali podobnih snovi.
- ⚠ Priporočamo, da napravo pred čiščenjem izključite iz električnega omrežja.
- ⚠ Za čiščenje ne uporabljajte ostrih abrazivnih predmetov, mila, gospodinjskih čistil, čistilnih sredstev in loščila.
- ℹ Omarico hladilnika očistite z mlačno vodo in jo do suhega obrišite.
- ℹ Za čiščenje notranjosti uporabite izžeto krpo, ki ste jo namočili v raztopino ene čajne žličke sode bikarbonata in pol litra vode ter nato do suhega obrišite.
- ⚠ Preprečite, da bi ohišje luči in ostali električni predmeti prišli v stik z vodo.
- ⚠ Če hladilnika dalj časa ne boste uporabljali, izključite električni kabel, odstranite vsa živila, ga očistite in pustite vrata priprta.
- ℹ Preverite, da so tesnila na vratih čista in ne vsebujejo delcev živil.
- ⚠ Če želite odstraniti vratne police, jih izpraznite in jih enostavno potisnite navzgor od podlage.

Zaščita plastičnih površin

- ℹ Tekočega olja ali na olju kuhanih jedi ne shranjujte v hladilniku v odprtih posodah, saj lahko poškodujejo plastične površine hladilnika. Če na plastičnih površinah razlijete olje ali jih umažete z oljem, jih očistite in splaknite s toplo vodo.

6 Priporočljive rešitve za težave

Prosimo, preglejte ta seznam preden pokličete servisno službo. Lahko Vam prihrani čas in denar. Na seznamu so pogoste pritožbe, ki niso posledica pomanjkljive izdelave ali materiala. Nekatere izmed opisanih značilnosti, morda ne veljajo za vašo napravo.

Hladilnik ne deluje.

- Ali je hladilnik pravilno priključen? Priključite vtič v vtičnico na steni.
- Ali je glavna varovalka ali pa varovalka vtičnice v katero je priključen hladilnik pregorela? Preverite varovalko.

Kondenzacija na stranski steni hladilnega dela (MULTIZONE, COOL CONTROL in FLEXI ZONE).

- Zelo hladne prostorske razmere. Pogosto odpiranje in zapiranje vrat. Visoka vlažnost v prostoru. Shranjevanje živil, ki vsebujejo tekočino, v odprtih posodah. Vrata so bila priprta. Termostat preklopite na hladnejšo stopnjo.
- Vrata naj bodo odprta manj časa ali pa jih ne uporabljajte tako pogosto.
- Živila, ki so shranjena v odprtih posodah, pokrijte z ustrezno ovojnino.
- Kondenzacijo obrišite s suho krpo in preverite, če se ponovi.

Kompresor ne deluje

- Termična zaščita kompresorja bo med nenadnimi izpadi električnega toka ali pri izkjučevanju-vključevanju pregorela, saj pritisk hladilnega sredstva v hladilnem sistemu še ni uravnotežen. Po približno 6 minutah se bo hladilnik zagnal. Če se hladilnik po tem času ne zažene, pokličite servisno službo.
- Hladilnik se odtaja. Za hladilnik s popolnoma samodejnim odtajanjem je to običajno. Odtajanje poteka v rednih presledkih.
- Hladilnik ni vključen v vtičnico. Prepričajte se, da je vtič pravilno vstavljen v vtičnico.
- Ali so temperature pravilno nastavljene?
- Izklop energije.

Delovanje hladilnika je pogosto ali traja dalj časa.
<ul style="list-style-type: none"> • Nova naprava je širša od prejšnje. To je običajno. Veliki hladilniki delujejo dalj časa. • Temperatura prostora je visoka. To je običajno. • Hladilnik je bil pred kratkim priključen ali pa je bil prenapolnjen z živili. Popolno ohlajanje hladilnika lahko traja nekaj ur dlje. • V hladilnik so bile nedavno postavljene večje količine toplih živil. Topla živila povzročijo daljše delovanje hladilnika, da dosežejo varno temperaturo za shranjevanje. • Vrata so se pogosto odpirala ali bila dalj časa priprta. Topel zrak, ki je prišel v hladilnik, povzroča daljše delovanje hladilnika. Vrata odpirajte manj pogosto. • Vrata zamrzovalnega ali hladilnega dela so bila priprta. Preverite, če so vrata dobro zaprta. • Hladilnik je nastavljen na zelo nizko temperaturo. Temperaturo hladilnika nastavite na toplejšo stopnjo in počakajte, da jo doseže. • Tesnilo na vratih hladilnika ali zamrzovalnika je umazano, izrabljeno, zlomljeno ali nepravilno nameščeno. Tesnilo očistite ali zamenjajte. Poškodovano/ zlomljeno tesnilo povzroča, da hladilnik deluje dalj časa za vzdrževanje trenutne temperature.
Temperatura zamrzovalnika je zelo nizka, medtem ko je temperatura hladilnika ustrežna.
<ul style="list-style-type: none"> • Temperatura zamrzovalnika je nastavljena na zelo nizko stopnjo. Temperaturo zamrzovalnika nastavite na toplejšo stopnjo in preverite.
Temperatura hladilnika je zelo nizka, medtem ko je temperatura zamrzovalnika ustrežna.
<ul style="list-style-type: none"> • Temperatura hladilnika je nastavljena na zelo nizko stopnjo. Temperaturo hladilnika nastavite na toplejšo stopnjo in preverite.
Živila shranjena v predalih hladilnega dela zamrzujejo.
<ul style="list-style-type: none"> • Temperatura hladilnika je nastavljena na zelo nizko stopnjo. Temperaturo hladilnika nastavite na toplejšo stopnjo in preverite.
Temperature v hladilniku ali zamrzovalniku so zelo visoke.
<ul style="list-style-type: none"> • Temperatura hladilnika je nastavljena na zelo visoko stopnjo. Nastavitev hladilnika vpliva na temperaturo zamrzovalnika. Spremenite temperaturo hladilnika ali zamrzovalnika, da dosežete ustrezno temperaturo. • Vrata so se pogosto odpirala ali bila dalj časa priprta. Odpirajte jih manj pogosto. • Vrata so priprta. Dobro zaprite vrata. • V hladilnik je bila nedavno postavljena večja količina toplih živil. Počakajte, da hladilnik ali zamrzovalnik doseže zeleno temperaturo. • Hladilnik je bil pred kratkim priključen. Popolno ohlajanje hladilnika je dolgotrajen postopek.

Med delovanjem hladilnika se hrup poveča.
<ul style="list-style-type: none"> • Učinkovitost delovanja hladilnika se lahko spremeni glede na spremembe temperature prostora. To je običajno in ni napaka.
Tresljaji ali hrup
<ul style="list-style-type: none"> • Neravna ali slabotna tla. Hladilnik se med počasnim premikanjem trese. Prepričajte se, da so tla ravna in dovolj močna podpora za hladilnik. • Hrup lahko povzročajo predmeti, ki so postavljeni na hladilniku. Odstranite predmete na vrhu hladilnika.
Iz hladilnika se širi hrup podoben prelivanju tekočine ali pršenju.
<ul style="list-style-type: none"> • Način delovanja hladilnika povzroča pretok tekočine in plinov. To je običajno in ni napaka.
Hrup podoben pihanju vetra.
<ul style="list-style-type: none"> • Za ohladitev hladilnika se uporabljajo ventilatorji. To je običajno in ni napaka.
Kondenzacija na notranjih stenah hladilnika.
<ul style="list-style-type: none"> • Vročje in vlažno vreme poveča zaledenitev in kondenzacijo. To je običajno in ni napaka. • Vrata so priprta. Prepričajte se, da so vrata popolnoma zaprta. • Vrata so se pogosto odpirala ali bila dalj časa priprta. Odpirajte jih manj pogosto.
Na zunanji strani hladilnika ali med vrati se pojavi vlaga.
<ul style="list-style-type: none"> • Vlaga v zraku, kar je običajno pri vlažnem vremenu. Ko se vlaga zniža, bo kondenzacija izginila.
Neprijeten vonj v hladilniku.
<ul style="list-style-type: none"> • Notranjost hladilnika naj bo čista. Notranjost hladilnika očistite z gobo, mlačno ali gazirano vodo. • Vonj povzročajo nekatere posode ali materiali pakiranja. Uporabite druge posode ali drugačno vrsto materialov pakiranja.
Vrata se ne zapirajo.
<ul style="list-style-type: none"> • Ovojnine živil preprečujejo zapiranje vrat. Prestavite pakiranja, ki ovirajo vrata. • Hladilnik ni popolnoma pokončno postavljen na tla in se zatrese že ob rahlem premiku. Prilagodite vijake za nastavitev. • Neravna ali šibka tla. Prepričajte se, da so tla ravna in primerna podpora za hladilnik.
Predali so obtičali.
<ul style="list-style-type: none"> • Živila se dotikajo stropa predala. Ponovno razporedite živila v predalu.

Prosím, najskôr si prečítajte túto príručku!

Vážení zákazníci,

Dúfame, že váš výrobok, ktorý sme vyrobili v prvotriednych výrobných zariadeniach a skontrolovali v rámci prepracovaných postupov riadenia kvality, vám bude dlhé roky dobre slúžiť.




Preto vám odporúčame, aby ste si pozorne prečítali celú túto príručku k vášmu produktu predtým, ako ho začnete používať, a ponechajte si ju poruke, aby ste si ju v prípade potreby mohli prezerat'.

Tento manuál

- Vám pomôže používať váš prístroj rýchlo a bezpečne.
 - Manuál si prečítajte pred inštaláciou a prevádzkou vášho produktu.
 - Dodržiavajte pokyny, obzvlášť tie, ktoré sa týkajú bezpečnosti.
 - Manuál si uschovajte na ľahko prístupnom mieste, pretože ho môžete neskôr potrebovať.
 - Okrem toho si prečítajte aj ostatné dokumenty dodané s vašim produktom.
- Majte na pamäti, že tento manuál platí aj pre iné modely.

Symbols a ich popis

Tento návod na obsluhu obsahuje nasledovné symboly:

-  Dôležité informácie alebo užitočné tipy.
-  Výstraha pred ohrozením života a majetku.
-  Výstraha pred elektrickým napätím.

Recyklácia



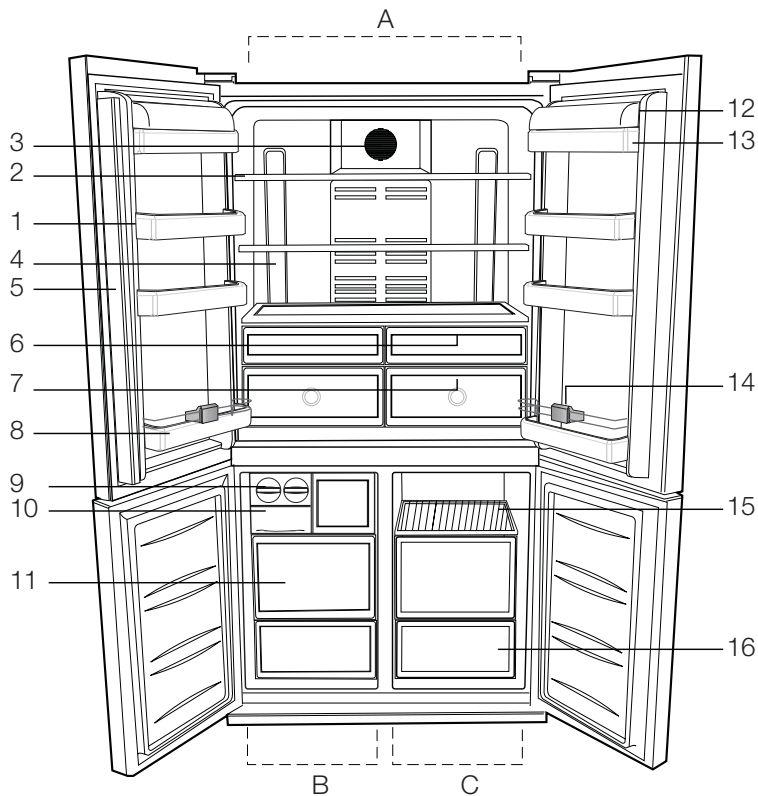
Tento produkt obsahuje symbol samostatného roztriedenia pre odpadové elektrické a elektronické vybavenie (WEEE). To znamená, že s týmto produktom sa musí narábať v súlade s európskou normou 2002/96/ES, aby sa mohol recyklovať alebo rozobrať, čím sa minimalizuje jeho dopad na životné prostredie. Ohľadom ďalších informácií kontaktujte vaše miestne alebo okresné úrady.

Elektronické produkty, ktoré nie sú súčasťou roztriedovacieho procesu, sú potenciálne nebezpečné pre životné prostredie a ľudské zdravie, kvôli prítomnosti nebezpečných látok.

OBSAH

1 Vaša chladnička	3	4 Používanie chladničky	12
2 Dôležité bezpečnostné výstrahy	4	Indikačný panel.....	12
Určené použitie.....	4	Alarm otvorených dverí:	14
Pri výrobkoch s dávkovačom vody	6	Zasúvacie police telesa.....	15
Bezpečnosť detí	6	Držiak na vajíčka.....	15
Upozornenie HCA.....	6	Priečinkov na zeleninu a ovocie	15
Veci, ktoré treba urobiť pre úsporu energie	7	Priečinkov ochladzovača	15
Odporúčania pre priestor na čerstvé potraviny	7	Pohyblivá stredná časť	16
		Skladovací priečinkov univerzálnej zóny	16
		Modré svetlo.....	16
3 Inštalácia	8	5 Údržba a čistenie	17
Príprava.....	8	Ochrana plastových povrchov	17
Body, ktoré je potrebné zvažovať pri opakovanej preprave chladničky	8	6 Odporúčané riešenia problémov	18
Výmena lampy osvetlenia	8		
Pred uvedením chladničky do prevádzky	9		
Elektrické pripojenie.....	9		
Likvidácia obalu	9		
Likvidácia vašej starej chladničky	9		
Umiestnenie a inštalácia	10		
Nastavenie vyváženia podlahy	10		
Nastavenie medzery medzi hornými dverami	11		

1 Vaša chladnička



- A- Priechinok chladničky
- B- Priechinok mrazničky
- C- Univerzálna zóna

- | | |
|--|--|
| 1- Poličky vo dverách v priechniku chladničky | 9- Icematic |
| 2- Nastaviteľné poličky skrine priechnika chladničky | 10- Nádoba na ľad |
| 3- Kryt rozptyľovača | 11- Priehniky pre uskladnenie mrazených potravín |
| 4- Sklíčko osvetlenia | 12- Kryt poličky na maslo a syr |
| 5- Otváracia stredná časť | 13- Polička na maslo a syr |
| 6- Priechinok ochladzovača | 14- Držiak na fľašu |
| 7- Priechinok na zeleninu a ovocie | 15- Poličky priechnika univerzálnej zóny |
| 8- Polica na fľašky | 16- Priechinok univerzálnej zóny |

i Obrázky v tejto príručke k obsluhu sú schematické a nemusia sa presne zhodovať s vaším produktom. Ak produkt, ktorý ste si zakúpili, nedisponuje uvádzanými časťami, potom sa to týka iných modelov.

2 Dôležité bezpečnostné výstrahy

Prečítajte si nasledujúce informácie. Nedodržanie týchto informácií môže mať za následok zranenia alebo vecné škody. Všetky záručné záväzky tým strácajú platnosť.

Doba životnosti vami zakúpeného zariadenia je 10 rokov. Je to obdobie, počas ktorého sú k dispozícii náhradné diely pre zabezpečenie opisanej prevádzky.

Určené použitie

Tento výrobok je určený na použitie

- v interiéroch a v uzatvorených oblastiach, ako napríklad v domoch,
 - v uzatvorených pracovných prostrediach, ako napríklad obchody a kancelárie,
 - v uzatvorených ubytovacích oblastiach, ako napríklad chalupy, hotely, penzióny.
- Tento výrobok sa nesmie používať v exteriéroch.

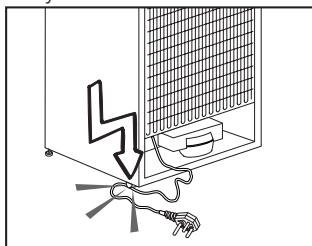
Všeobecná bezpečnosť

- Ak chcete vyradiť/zlikvidovať tento produkt, odporúčame vám poradiť sa s autorizovaným servisom, aby ste získali potrebné informácie o autorizovaných orgánoch zriadených na tento účel.
- Obráťte sa na autorizovaný servis so všetkými otázkami a problémami s vašou chladničkou. Nezasahujte ani nenechajte iných zasahovať do chladničky bez upozornenia autorizovaného servisu.
- Pri výrobkoch s mraziacim priečinkom nejedzte zmrzlinu v kornútoch a kocky ľadu ihneď po ich vybratí z mraziaceho priečinka! (Môžete si tým spôsobiť nepríjemný mrazivý pocit v ústach.)

- Pri výrobkoch s mraziacim priečinkom nedávajte do mraziaceho priečinka tekuté nápoje vo fľašiach a plechovkách. V opačnom prípade by mohli prasknúť.
- Mrazeného jedla sa nedotýkajte rukami; mohlo by sa k ruke prilepiť.
- Pred čistením alebo rozmrazovaním chladničku odpojte.
- Para a parové čistiace prostriedky by sa nikdy nemali používať pri čistení a odmrazovaní vašej chladničky. V takýchto prípadoch by sa para mohla dostať do kontaktu s elektrickými dielmi a spôsobiť skrat alebo zásah elektrickým prúdom.
- Nikdy nepoužívajte rôzne časti, ako napr. dvere, ako podpery alebo schodíky.
- Vo vnútri vašej chladničky nepoužívajte elektrické zariadenia.
- Časti, v ktorých cirkuluje chladivo, nepoškodzujte nástrojmi na vrtnanie alebo rezanie. V prípade perforácie plynových kanálov výparníka, trubkových rozšírení alebo povrchových úprav, spôsobuje rozliaty chladiaci prostriedok podráždenie pokožky a zranenia očí.
- Neprekrývajte ani neblokujte ventilačné otvory na chladničke žiadnymi materiálmi.
- Elektrické spotrebiče musia opravovať len oprávnené osoby. Opravy vykonávané nekompetentnými osobami predstavujú riziko pre používateľa.
- V prípade zlyhania alebo počas údržby alebo opráv odpojte chladničku od elektrického rozvodu buď vypnutím príslušnej poistky alebo odpojením spotrebiča od siete.
- Pri odpájaní zásuvky neťahajte za kábel, ale potiahnite zásuvku.
- Nápoje s vysokým obsahom alkoholu umiestnite tesne vedľa seba a vertikálne.
- V chladničke neskladujte spreje s rozprašovačom, ktoré obsahujú horľavé alebo výbušné látky.

- Nepoužívajte mechanické prístroje alebo iné prostriedky na urýchľovanie rozmrazovacieho procesu iné ako tie, ktoré odporúča výrobca.
- Tento produkt nie je určený na používanie osobami s fyzickými, zmyslovými alebo duševnými poruchami alebo nepoučenými alebo neskúsenými osobami (vrátane detí), pokiaľ pri nich nie je osoba, ktorá je zodpovedná za ich bezpečnosť, alebo ktorá ich riadne poučí o používaní produktu
- Neuvádzajte do prevádzky poškodenú chladničku. Ak máte akékoľvek pochybnosti, obráťte sa na servisného zástupcu.
- Elektrická bezpečnosť vašej chladničky je zaručená len vtedy, keď je váš uzemňovací systém v zhode s týmito štandardmi.
- Vystavenie produktu pôsobeniu dažďa, snehu, slnka a vetra je nebezpečné z pohľadu elektrickej bezpečnosti.
- Pri poškodení elektrického kábla kontaktujte autorizovaný servis, aby ste zabránili ohrozeniu.
- Počas inštalácie nikdy chladničku nepripájajte do elektrickej zásuvky. V opačnom prípade vznikne riziko usmrtienia alebo vážneho zranenia.
- Táto chladnička je určená len na skladovanie potravín. Nepoužívajte ju na žiadne iné účely.
- Štítok s technickými údajmi sa nachádza na ľavej stene vo vnútri chladničky.

- Chladničku nezapájajte do elektronických systémov na úsporu energie, pretože ju môžu poškodiť.
- Ak je v chladničke modré svetlo, nepozerajte sa naň cez optické zariadenia.
- Manuálne riadené chladničky zapínajte po výpadku prúdu s odstupom najmenej 5 minút.
- Pri odovzdaní produktu inej osobe odovzdajte túto príručku k obsluhu novému vlastníkovi.
- Zabráňte poškodeniu elektrického kábla pri preprave chladničky. Prehýbanie kábla môže spôsobiť požiar. Na napájací kábel nedávajte ťažké predmety. Pri zapájaní produktu sa zástrčky nedotýkajte mokrymi rukami.



- Chladničku nezapájajte, ak je zásuvka na stene uvoľnená.
- Z bezpečnostných dôvodov nestriekajte vodu priamo na vnútorné alebo vonkajšie časti produktu.
- Z dôvodu rizika požiaru a výbuchu nerozstrekujte v blízkosti chladničky horľavé materiály, ako napríklad propánový plyn a pod.
- Na chladničku neumiestňujte nádoby naplnené vodou, pretože môžu spôsobiť zásah elektrickým prúdom alebo požiar.
- Nepreťažujte chladničku nadmernými množstvami potravín. Ak je preťažená, potraviny môžu spadnúť a spôsobiť vám zranenie a poškodiť chladničku, keď otvoríte dvere. Na chladničku nikdy nedávajte predmety, pretože môžu spadnúť, keď otvoríte alebo zatvoríte dvere chladničky.

- V chladničke neuchovávajúte vakcíny, lieky citlivé na teplo, vedecké materiály a pod., ktoré si vyžadujú presnú teplotu.
- Ak sa chladnička nebude dlhší čas používať, treba ju odpojiť zo siete. Možný problém s napájacím káblom môže spôsobiť požiar.
- Výbežky zástrčky by sa mali pravidelne čistiť, pretože v opačnom prípade môže dôjsť k požiaru.
- Výbežky zástrčky by sa mal pravidelne čistiť suchou handričkou, pretože v opačnom prípade môže dôjsť k požiaru.
- Keď nastaviteľné nožičky nie sú umiestnené pevne na podlahe, môže dôjsť k posunu chladničky. Správnym upevnením nastaviteľných nožičiek na podlahe možno zabrániť posúvaniu chladničky.
- Pri prenášaní chladničky ju nedržte za rúkovať na dverách. V opačnom prípade môže prasknúť.
- Ak musíte umiestniť produkt vedľa inej chladničky alebo mrazničky, vzdialenosť medzi nimi musí byť najmenej 8 cm. Inak môžu príľahlé steny strán navlhnúť.

Pri výrobkoch s dávkovačom vody

musí byť tlak prívodu vody najmenej 1 bar. Tlak prívodu vody musí byť najviac 8 barov.

- Používajte len pitnú vodu.

Bezpečnosť detí

- Ak dvere obsahujú zámku, kľúč uchovávajúte mimo dosah detí.
- Deti musia byť pod dohľadom, aby sa zabránilo ich zasahovaniu do produktu.

Upozornenie HCA

Chladiaci systém vášho výrobku obsahuje R600a:

Tento plyn je horľavý. Preto dajte pozor na to, aby ste nepoškodili chladiaci systém a potrubné vedenia pri používaní a preprave. V prípade poškodenia udržiavajte produkt mimo potenciálnych zdrojov plameňa, ktoré by mohli spôsobiť vznietenie produktu, a miestnosť, kde je zariadenie umiestnené, dostatočne vetrajte.

Ignorujte toto upozornenie, ak chladiaci systém vášho výrobku obsahuje R134a.

Typ plynu použitý vo výrobku je uvedený na typovom štítku, ktorý sa nachádza na ľavej strane vnútri chladničky.

Produkt nelikvidujte hodením do ohňa.

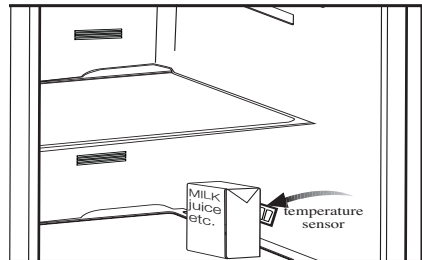
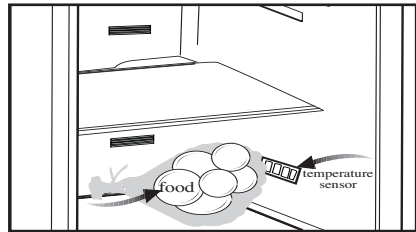
Veci, ktoré treba urobiť pre úsporu energie

- Dvere vašej chladničky nenechávajú otvorené dlhý čas.
- Do chladničky nekladajte horúce jedlá alebo nápoje.
- Chladničku neprepínajte, aby ste neblokovali prúdenie vzduchu v interiéri.
- Vašu chladničku neumiestňujte na priame slnečné svetlo alebo do blízkosti spotrebičov, ktoré produkujú teplo, ako napr. rúry na pečenie, umývačky riadu alebo radiátory.
- Dbajte na to, aby ste jedlo uchovávali v uzavretých nádobách.
- Pri výrobkoch s mraziacim priečinkom môžete v mrazičke skladovať maximálny objem potravín vtedy, keď odstránite poličku alebo priečinok mrazičky. Hodnota spotreby energie stanovená pre vašu chladničku bola stanovená tak, že sa odstránila polička alebo priečinok mrazičky a pri maximálnom vyťažení. So zreteľom na tvary a veľkosť potravín určených na zamrazenie neexistuje pri používaní police alebo zásuvky žiadne riziko.
- Rozmrazovanie mrazených potravín v priečinku chladničky zabezpečuje úsporu energie a taktiež zachováva kvalitu potravín.


Odporúčania pre priestor na čerstvé potraviny

* VOLITEĽNÉ

- Nedovoľte, aby sa akékoľvek potraviny dostali do kontaktu s teplotným snímačom v priestore na čerstvé potraviny. Z dôvodu zachovania ideálnej skladovacej teploty priestoru na čerstvé potraviny nemôžu potraviny blokovat' snímač.
- Do spotrebiča nekladajte horúce potraviny.



3 Inštalácia

 Zapamätajte si, že výrobca nie je zodpovedný za škody v prípade, ak nedodržíte pokyny v návode na použitie.

Príprava

- Vaša chladnička by mala byť umiestnená v najmenej 30 cm vzdialenosti od zdrojov tepla, ako sú horáky, rúry na pečenie, radiátory a kachle a najmenej v 5 cm vzdialenosti od elektrických rúr na pečenie a nemala by byť umiestnená na priamom slnku.
- Teplota prostredia v miestnosti, kde chladničku inštalujete, by mala byť aspoň 10 °C. Prevádzka chladničky v chladnejšom prostredí sa neodporúča s ohľadom na jej účinnosť.
- Uistite sa, že je interiér vašej chladničky dôkladne vyčistený.
- Ak sa budú vedľa seba inštalovať dve chladničky, mala by byť medzi nimi vzdialenosť minimálne 2 cm.
- Pri prvom spustení vašej chladničky počas šiestich hodín dodržujte nasledujúce pokyny.
 - Dvere by ste nemali otvárať príliš často.
 - Chladnička musí byť počas tohto času prázdna.
 - Chladničku neodpájajte od siete.Ak dôjde k výpadku napájania, ktoré nemôžete ovplyvniť, pozrite si upozornenia v časti „Odporúčané riešenia problémov“.
- Originálny obal a penové materiály by ste si mali odložiť za účelom budúceho transportu a prenášania.

Body, ktoré je potrebné zvažovať pri opakovanej preprave chladničky

1. Vaša chladnička musí byť pred presunom prázdna a očistená.
2. Police, príslušenstvo, priehradky atď. vo vašej chladničke musia byť pred opätovným zabalením chladničky zalepené a zaistené voči otrasom.
3. Balenie musíte zaistiť hrubými páskami alebo silnými lanami a musíte dodržiavať bezpečnostné pokyny na balení.

Nezabudnite...

Každý recyklovaný materiál je nepostrádateľným zdrojom pre prírodu a národné zdroje.

Ak by ste chceli prispieť k recyklácii obalových materiálov, informácie môžete získať u ekologických organizácií alebo na miestnych úradoch.

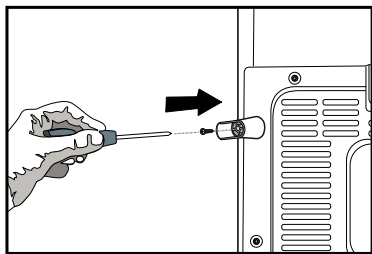
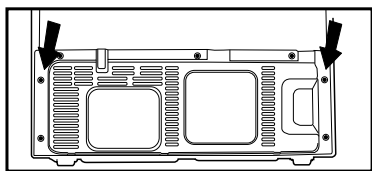
Výmena lampy osvetlenia

Ak chcete vymeniť lampu použitú na osvetlenie vašej chladničky, zavolajte do autorizovaného servisu.

Pred uvedením chladničky do prevádzky

Pred začatím používania vašej chladničky skontrolujte nasledovné:

1. Je interiér chladničky suchý a môže vzduch ľahko cirkulovať v zadnej časti?
2. Vložte 2 plastové kľince na zadnú ventiláciu, ako je to ukázané na nasledujúcom obrázku. Existujúce odskrutkujte a použite skrutky, ktoré sa nachádzajú v tom istom sáčku ako kľince. Plastové kľince zaisťujú požadovanú vzdialenosť medzi chladničkou a stenou kvôli dostatočnej cirkulácii vzduchu.



3. Vyčistíte interiér chladničky podľa odporúčania v odseku „Údržba a čistenie“.
4. Chladničku pripojte do elektrickej zásuvky. Keď sa otvorí dvere, zapne sa príslušné vnútorné svetlo.
5. Budete počuť zvuk pri zapnutí kompresora. Kvapalina a plyny utesnené v chladiacom systéme môžu vydávať nejaký zvuk, bez ohľadu na to, či kompresor je alebo nie je v prevádzke. Toto je celkom normálne.
6. Predné hrany chladničky môžu byť zohriate. To je normálne. Tieto časti sú vytvorené tak, aby boli zohriate, aby sa predišlo kondenzácii.

Elektrické pripojenie

Pripojte chladničku k uzemnenej zástrčke, ktorá je chránená poistkou príslušnej kapacity.

Dôležité:

- Pripojenie musí byť v zhode s národnými predpismi.
 - Elektrická zásuvka musí byť po inštalácii ľahko prístupná.
 - Napätie a povolená ochrana poistkou sú uvedené v časti „Technické špecifikácie“.
 - Určené napätie musí byť rovnaké ako napätie vo vašej elektrickej sieti.
 - Predlžovacie káble a rozbočky sa nesmú používať na pripojenie zariadenia.
- ⚠ Poškodený elektrický kábel musí vymeniť kvalifikovaný elektrikár.
- ⚠ Zariadenie sa nesmie prevádzkovať dovtedy, pokiaľ nebude opravené! Hrozí nebezpečenstvo zásahu elektrickým prúdom!

Likvidácia obalu

Obalový materiál môže byť nebezpečný pre deti. Obalový materiál držte mimo dosahu detí alebo ho vyhodte podľa pokynov pre likvidáciu odpadu. Neodhadzujte ho spolu s normálnym domovým odpadom.

Balenie chladničky je vyrobené z recyklovateľných materiálov.

Likvidácia vašej starej chladničky

Vašu starú chladničku zlikvidujte ekologicky.

- O likvidácii vašej starej chladničky sa môžete poradiť s vaším autorizovaným predajcom alebo zberným miestom.

Pred likvidáciou vašej chladničky odrežte elektrickú zásuvku a ak sa na dverách nachádzajú nejaké zámky, znefunkčnite ich, aby ste nevystavili deti žiadnemu nebezpečenstvu.

Umiestnenie a inštalácia

Varovanie: Počas inštalácie nikdy chladničku nepripájajte do elektrickej zásuvky. V opačnom prípade vznikne riziko usmrtenia alebo vážneho zranenia.

Ak vstupné dvere v miestnosti, kde bude chladnička nainštalovaná, nie sú dostatočne široké na to, aby cez ne chladnička prešla, zavolajte do autorizovaného servisu, aby odmontovali dvere vašej chladničky a bokom ju preniesli cez dvere.

1. Chladničku nainštalujte na miesto, ktoré umožňuje ľahké použitie.
2. Chladničku udržiavajte mimo dosah zdrojov tepla, vlhkých miest a priameho slnečného svetla.
3. Kvôli dosiahnutiu účinnej prevádzky musí byť v okolí chladničky dostatočné vetranie. Ak bude chladnička umiestnená vo výklenku v stene, minimálna vzdialenosť od stropu musí byť 5 cm a od steny 5 cm.

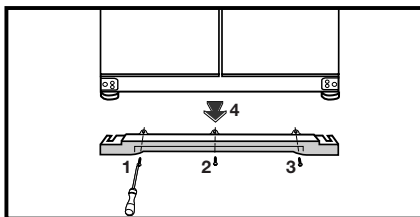
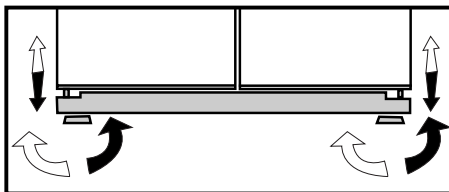
Ak je podlaha pokrytá kobercom, výrobok musí byť zdvihnutý do výšky 2,5 cm od podlahy.

4. Kvôli zabráneniu hádzaniu dajte chladničku na rovnú podlahu.
5. Chladničku neuchovávajte pri teplote okolia pod 10 °C.

Nastavenie vyváženia podlahy

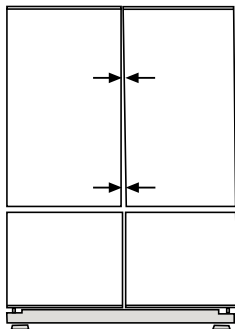
Ak je vaša chladnička nestabilná;

- 1- Pred vykonaním postupu kryt vetrania odmontujte odskrutkovaním jeho skrutiek tak, ako je to znázornené na obrázku. Chladničku môžete vyvážiť otáčaním predných nôh tak, ako je to znázornené na obrázku. Keď nohu otáčate v smere čiernej šípky, roh s príslušnou nohou sa znižuje; keď nohu otáčate v opačnom smere, poloha sa zvyšuje. Pomoc inej osoby miernym prídvihnutím chladničky celý proces uľahčí.
2. Po napravení problému s vyvážením znovu namontujte kryt vetrania a dotiahnite skrutky.

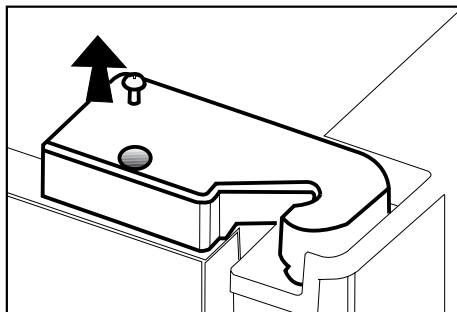


3. Pomocou skrutkovača Philips odmontujte skrutky zaisťujúce spodný kryt vetrania.

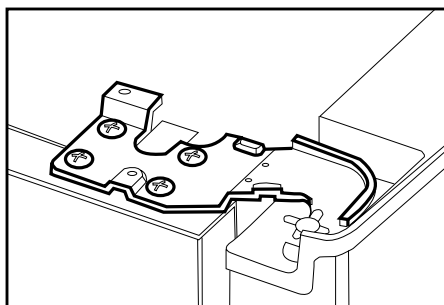
Nastavenie medzery medzi hornými dverami



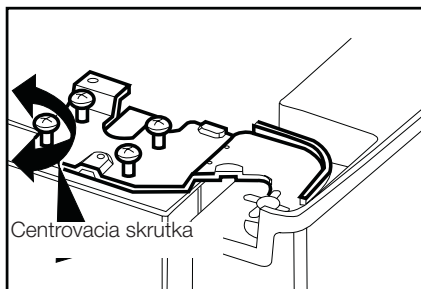
- Medzeru medzi dverami priečka chladničky môžete nastaviť tak, ako je to znázornené na obrázkoch.



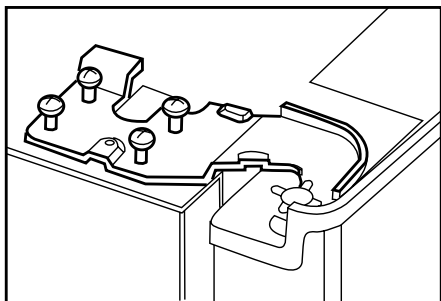
- Poličky dverí musia byť pri nastavovaní výšky dverí prázdne.



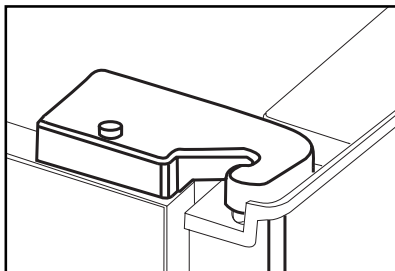
- Nastavené dvere zaistíte dotiahnutím skrutiek bez zmeny polohy dverí.



- Pomocou skrutkovača vyberte skrutku krytu horného závesu dverí, ktoré chcete nastaviť.



- Znovu nasadíte kryt závesu a dotiahnite ho skrutkou.

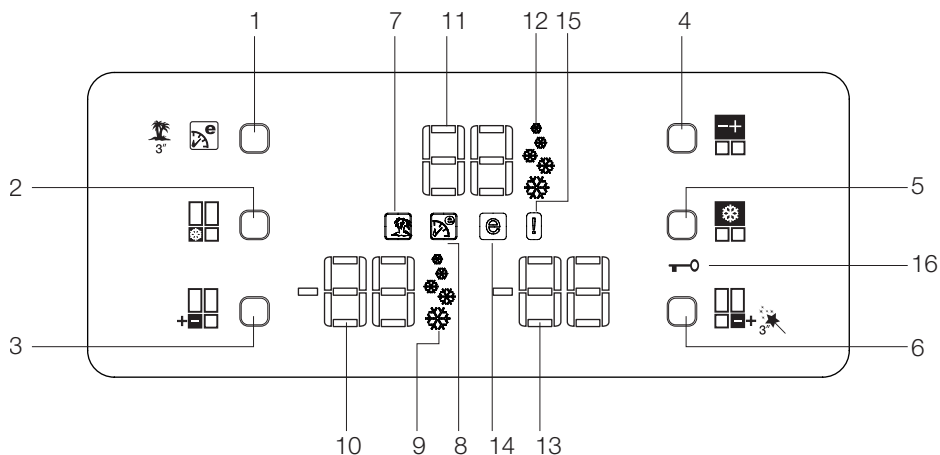


- Dvere podľa želania nastavte uvoľnením skrutiek.

4 Používanie chladničky

Indikačný panel

Tento dotykom ovládaný indikačný panel vám umožňuje nastaviť teplotu bez otvorenia dverí vašej chladničky. Teplotu nastavíte tak, že sa jednoducho prstom dotknete príslušného tlačidla.



1. Tlačidlo funkcie Extra ekologicky/dovolenka
2. Tlačidlo rýchleho mrazenia
3. Tlačidlo nastavenia teploty priechinka mrazničky
4. Tlačidlo nastavenia teploty priechinka chladničky
5. Tlačidlo rýchleho chladenia
6. Tlačidlo nastavenia teploty skladovacieho priechinka univerzálnej zóny
7. Indikátor funkcie Dovolenka
8. Indikátor funkcie Extra ekologicky
9. Indikátor funkcie rýchleho mrazenia
10. Indikátor teploty priechinka mrazničky
11. Indikátor teploty priechinka chladničky
12. Indikátor funkcie rýchleho chladenia
13. Indikátor teploty skladovacieho priechinka univerzálnej zóny
14. Indikátor ekonomického režimu
15. Indikátor chybového stavu
16. Indikátor uzamknutia

i Obrázky v tejto príručke k obsluhu sú schematické a nemusia sa presne zhodovať s vašim produktom. Ak produkt, ktorý ste si zakúpili, nedisponuje uvádzanými časťami, potom sa to týka iných modelov.

1. Tlačidlo funkcie Extra ekologicky/dovolenka

Stlačením tohto tlačidla aktivujete funkciu Extra ekologicky. Stlačením a podržaním tohto tlačidla na 3 sekundy aktivujete funkciu Dovolenka. Opätovným stlačením tohto tlačidla zvolenú funkciu vypnete.

2. Tlačidlo rýchleho zmrazenia

Stlačením tohto tlačidla aktivujete funkciu rýchleho zmrazenia. Opätovným stlačením tohto tlačidla zvolenú funkciu vypnete.

3. Tlačidlo nastavenia teploty priečinka mrazničky

Stlačením tohto tlačidla nastavíte teplotu priečinku mrazničky jednotlivo na -18, -20, -22, -24, -18... Stlačením tohto tlačidla nastavíte želanú teplotu pre priečinko mrazničky.

4. Tlačidlo nastavenia teploty priečinka chladničky

Stlačením tohto tlačidla nastavíte teplotu priečinku chladničky jednotlivo na 8, 6, 4, 2, 8... Stlačením tohto tlačidla nastavíte želanú teplotu pre priečinko chladničky.

5. Tlačidlo rýchleho chladenia

Stlačením tohto tlačidla aktivujete funkciu rýchleho chladenia. Opätovným stlačením tohto tlačidla zvolenú funkciu vypnete.

6. Tlačidlo nastavenia teploty skladovacieho priečinka univerzálnej zóny

Skladovací priečinko univerzálnej zóny môžete nastaviť na mrazenie alebo na chladenie. Stlačením a podržaním tohto tlačidla na 3 sekundy nastavíte skladovací priečinko univerzálnej zóny na mrazenie alebo na chladenie. Priečinko je továrensky nastavený ako priečinko mrazničky.

Ak je skladovací priečinko univerzálnej zóny nastavený na mrazenie, po každom stlačení tohto tlačidla sa teplota skladovacieho priečinka univerzálnej zóny zmení na -18, -20, -22, -24, -18... Ak je skladovací priečinko univerzálnej zóny nastavený na chladenie, po každom stlačení tohto tlačidla sa teplota skladovacieho priečinka univerzálnej zóny zmení na 10, 8, 6, 4, 2, 0, -6,...

7. Indikátor funkcie Dovolenka

Označuje, že funkcia dovolenky je aktívna. Ak je táto funkcia aktívna, na indikátore priečinka chladničky sa zobrazí znak „-“ a v priečinku chladničky nebude vykonávané žiadne chladenie. Ostatné priečinky budú chladené podľa toho, akú teplotu majú nastavenú.

Opätovným stlačením príslušného tlačidla túto funkciu vypnete.

8. Indikátor funkcie Extra ekologicky

Označuje, že funkcia Extra ekologicky je aktívna. Ak je táto funkcia aktívna, vaša chladnička bude automaticky zisťovať doby minimálneho používania a v týchto dobách bude vykonávať energeticky účinné chladenie. Počas vykonávania energeticky účinného chladenia je aktívny indikátor ekonomickej funkcie.

Opätovným stlačením príslušného tlačidla túto funkciu vypnete.

9. Indikátor funkcie rýchleho mrazenia

Označuje, že funkcia rýchleho mrazenia je aktívna. Túto funkciu používajte, keď do priečinka mrazničky dáte čerstvé potraviny alebo keď potrebujete ľad. Po zapnutí tejto funkcie bude chladnička bez zastavenia bežať 6 hodiny.

Opätovným stlačením príslušného tlačidla túto funkciu vypnete.

10. Indikátor teploty priečinku mrazničky

Naznačuje nastavenú teplotu pre priečinok mrazničky.

11. Indikátor teploty priečinku chladničky

Naznačuje nastavenú teplotu pre priečinok chladničky.

12. Indikátor funkcie rýchleho chladenia

Označuje, že funkcia rýchleho chladenia je aktívna. Túto funkciu používajte, keď do priečinka chladničky dáte čerstvé potraviny alebo keď potrebujete potraviny rýchlo ochladiť. Po zapnutí tejto funkcie bude chladnička bez zastavenia bežať 2 hodiny. Opätovným stlačením príslušného tlačidla túto funkciu vypnete.

13. Indikátor teploty skladovacieho priečinka univerzálnej zóny

Označuje teplotu nastavenú pre skladovací priečinok univerzálnej zóny.

14. Indikátor ekonomického režimu

Označuje, že chladnička beží v energeticky účinnom režime. Teplota priečinka mrazničky

Tento indikátor je aktívny v prípade, že funkcia je nastavená na -18 alebo ak sa kvôli funkcii Extra ekologicky vykonáva energeticky účinné chladenie.

15. Indikátor chybového stavu

Tento indikátor sa aktivuje v prípade, že vaša chladnička nechladí primerane, prípadne ak došlo k poruche snímača. Keď je tento indikátor aktívny, indikátor teploty priečinka chladničky bude zobrazovať znak „E“ a indikátor teploty priečinka chladničky bude zobrazovať čísla, ako napríklad „1, 2, 3...“. Tieto čísla na indikátore poskytujú servisnému personálu informáciu o chybe.

16. Indikátor uzamknutia tlačidiel

Túto funkciu použite, ak si neželáte, aby došlo k zmene vášho nastavenia teploty chladničky. Túto funkciu aktivujete súčasným stlačením tlačidla rýchleho chladenia a tlačidla nastavenia teploty skladovacieho priečinka univerzálnej zóny na 3 sekundy.

Opätovným stlačením príslušných tlačidiel túto funkciu vypnete.

Alarm otvorených dverí:

Ak ktorékoľvek dvere priečinka chladničky alebo dvere skladovacieho priečinka **univerzálnej zóny** zostanú otvorené najmenej 1 minútu, aktivuje sa alarm otvorených dverí. Alarm vypnete jednoduchým stlačením ktoréhokoľvek tlačidla na indikátore alebo zatvorením dverí.

Držiak na vajččka

Držiak na vajččka môžete namontovať na želané dvere alebo policu telesa.

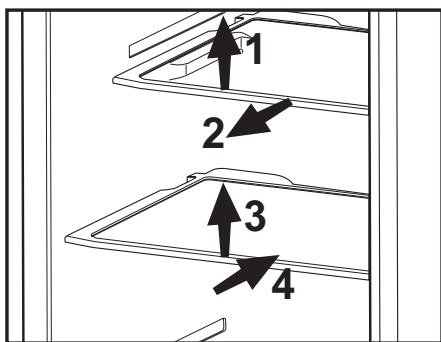
Držiak na vajččka nikdy nedávajte do priečinka mrazničky.

Zasúvacie police telesa

Zasúvacie police telesa je možné vytiahnuť jemným nadvihnutím prednej strany a posunom dozadu a dopredu. Po vytiahnutí dopredu zastavia v mieste zastavenia, čo umožňuje dosiahnuť na potraviny uložené v zadnej časti police; keď policu telesa potiahnete po jemnom nadvhnutí nahor na druhom mieste zastavenia, polica telesa bude uvoľnená.

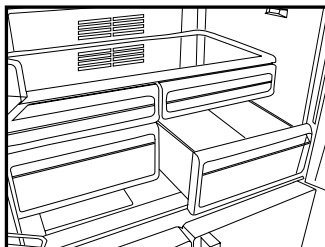
Policu by ste mali pevne držať aj zo spodku, aby ste zabránili jej prevráteniu. Policu telesa umiestnite na koľajnice na bočných stranách telesa chladničky umiestnením na jednu nižšiu alebo jednu vyššiu úroveň.

Policu telesa by ste mali zatlačiť úplne dozadu, aby ste ju úplne usadili.



Priečinko na zeleninu a ovocie

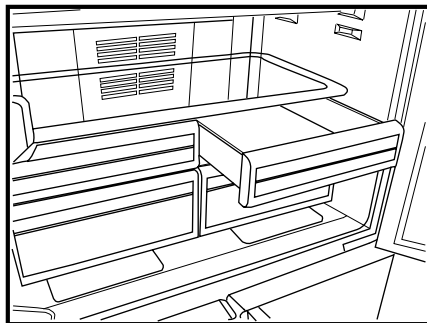
Priečinko na zeleninu a ovocie vašej chladničky je špeciálne navrhnuté tak, aby vašu zeleninu uchoval čerstvú bez straty jej vlhkosti. Pre tento účel sa okolo priečinka na zeleninu a ovocie vo všeobecnosti vytvára prúdenie chladného vzduchu.



Priečinko ochladzovača

Priečinky ochladzovača umožňujú pripraviť na zmrazenie potraviny, ktoré chcete zmraziť. Tieto priečinky môžete použiť aj na uskladnenie potravín pri teplote o niekoľko stupňov nižšej ako je teplota chladničky.

Vnútnú kapacitu chladničky môžete zvýšiť vybratím ktoréhokoľvek priečinka ochladzovača. Ak to chcete urobiť, priečinko potiahnite smerom k vám; priečinko sa oprie o zastavovač a zastaví sa. Tento priečinko uvoľníte jeho zdvihnutím o približne 1 cm a potiahnutím smerom k vám.



Pohyblivá stredná časť

Účelom pohyblivej strednej časti je zabrániť uniknutiu studeného vzduchu zvnútra vašej chladničky von.

1 - Tesnenie vzniká vtedy, keď tesnenia na dverách tlačia na povrch pohyblivej strednej časti, kým sú dvierka priestoru chladničky zatvorené.

2. Ďalší dôvod, prečo je vaša chladnička vybavená pohyblivou strednou časťou je, že zvyšuje čistý objem priečinka chladničky. Štandardné stredné časti zaberajú v chladničke nevyužitelný priestor.

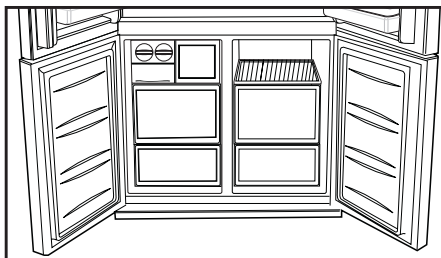
3 - Pohyblivá stredná časť je zatvorená vtedy, keď sú ľavé dvierka priestoru chladničky zatvorené.

4 - Nesmiete ich otvárať ručne. Pohybujú sa navádzaním plastovou časťou na telese, kým sú dvierka zatvorené.

Skladovací priečnik univerzálnej zóny

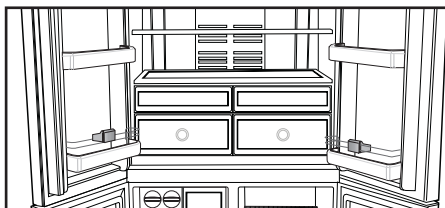
Úložný priečnik univerzálnej zóny vašej chladničky môžete použiť v akomkoľvek požadovanom režime tak, že ho prispôsobíte teplotám chladničky (2/4/6/8 °C) alebo mrazničky (-18/-20/-22/-24). Priečnik môžete udržiavať v želanej teplote pomocou tlačidla nastavenia teploty úložného priečinka univerzálnej zóny. Teplota úložného priečinka univerzálnej zóny sa dá okrem teploty priečinka chladničky nastaviť na 0 a 10 stupňov a okrem teploty priečinka mrazničky na -6 stupňov. 0 stupňov sa používa na dlhšie uskladnenie delikátnych výrobkov a -6 stupňov sa používa na uchovanie mäsa v ľahko kráجاتelnom stave až 2 týždne.

i Funkciu prepnutia na priečinkoch chladničky alebo mrazničky zabezpečuje chladiaci prvok, ktorý sa nachádza v uzatvorenej časti (priečinkoch kompresora) za chladničkou. Počas prevádzky tohto prvku môžete počuť zvuky, ktoré sú podobné zvukom sekundovky, ktoré vydávajú analógové hodiny. Je to normálne a nie je to spôsobené poruchou.



Modré svetlo

Potraviny uložené v špeciálnych priehradkách, ktoré sú osvetlené modrým svetlom, budú vďaka účinku vlnovej dĺžky modrého svetla pokračovať vo fotosyntéze a tak si uchovávajú svoju čerstvosť a zvýšia obsah vitamínov.



5 Údržba a čistenie

- ⚠ Na čistenie nikdy nepoužívajte benzín, benzén alebo obdobné prostriedky.
- ⚠ Odporúčame vám, aby ste zariadenie pred čistením odpojili od siete.
- ⚠ Na čistenie nikdy nepoužívajte žiadne ostré a drsné predmety, mydlo, domáce čističlá, saponáty a voskové leštičlá.
- ℹ Na čistenie skrine chladničky použite vlažnú vodu a vytrite ju do sucha.
- ℹ Pomocou vlhkej handry namočenej do roztoku jednej lyžičky sódy bikarbóny v pol litri vody očistite vnútrajšok a vytrite ho do sucha.
- ⚠ Uistite sa, že do puzdra lampy, prípadne iných elektrických súčiastok, neprenikne voda.
- ⚠ Ak sa chladničku nechystáte používať dlhšie obdobie, odpojte napájací kábel, vyberte všetky potraviny, vyčistite ju a dvere nechajte pootvorené.
- ℹ Pravidelne kontrolujte, či je tesnenie dverí čisté a zbavené odrobiniek z potravín.
- ⚠ Ak chcete odstrániť priečinky vo dverách, vyberte celý ich obsah a potom jednoducho potlačte priečinok nahor zo základne.

Ochrana plastových povrchov

- ℹ Kvapalné oleje a vyprázané jedlá nedávajte do chladničky v otvorených nádobách, pretože poškodzujú plastové povrchy vašej chladničky. V prípade rozliatia alebo rozretia oleja na plastové povrchy okamžite vyčistite a opláchnite príslušnú časť povrchu teplou vodou.

6 Odporúčané riešenia problémov

Pred zavolaním servisu si pozrite tento zoznam. Môže vám to ušetriť čas aj peniaze. Tento zoznam obsahuje bežné sťažnosti, ktoré sa nevzťahujú na chybné spracovanie alebo využitie materiálu. Niektoré z tu popísaných funkcií nemusí váš produkt obsahovať.

Chladnička nefunguje.
<ul style="list-style-type: none">• Je chladnička správne pripojená do siete? Zasuňte zásuvku do stenovej zástrčky.• Nie je prepálená poistka, ku ktorej je pripojená chladnička, alebo hlavná poistka? Skontrolujte poistku.
Kondenzácia na bočnej stene priestoru chladničky (MULTIZÓNA, OVLÁDANIE CHLADU a FLEXI ZÓNA).
<ul style="list-style-type: none">• Veľmi studené podmienky prostredia. Časté otváranie a zatváranie dverí. Veľmi vlhké podmienky prostredia. V chladničke sa nachádzajú potraviny obsahujúce kvapaliny v otvorených nádobách. Ponechanie pootvorených dverí. Prepnutie termostatu do chladnejšej polohy.• Skrátenie doby otvorenia dverí alebo ich zriedkavejšie používanie.• Prikrytie jedla v otvorených nádobách vhodným materiálom.• Vlhkosť poutierajte suchou handrou a skontrolujte, či stále pretrváva.
Kompresor nie je v prevádzke
<ul style="list-style-type: none">• Ochranná teplotná poistka kompresora sa vypáli počas náhleho výpadku napájania alebo pri vytiahnutí a opätovnom zastrčení zásuvky, pretože tlak chladiva v chladničke ešte nie je vyvážený. Vaša chladnička začne pracovať po približne šiestich minútach. Ak po tomto čase chladnička nezačne fungovať, zavolajte servis.• Chladnička je v rozmrazovacom cykle. Pre plne automatickú rozmrazovaciu chladničku je to normálne. Cyklus odmrazovania sa vykonáva pravidelne.• Chladnička nie je pripojená do siete. Ubezpečte sa, že ste zástrčku správne vložili do zásuvky.• Sú správne vykonané nastavenia teploty?• Napájanie je možno prerušené.

Chladnička pracuje príliš často alebo príliš dlhý čas.

- Váš nový produkt môže byť širší ako predchádzajúci. To je úplne normálne. Veľké chladničky pracujú dlhší čas.
- Okolité teplota môže byť vysoká. To je úplne normálne.
- Chladnička mohla byť zapnutá len nedávno alebo mohlo byť do nej vložené jedlo. Kompletné vychladenie chladničky môže trvať o niekoľko hodín dlhšie.
- Do chladničky mohlo byť len nedávno vložené väčšie množstvo teplého jedla. Teplé jedlo spôsobuje dlhší chod chladničky, kým sa nedosiahne bezpečná teplota skladovania.
- Dvere mohli byť často otvárané alebo ponechané po dlhý čas v pootvorenom stave. Teplý vzduch, ktorý prenikol do chladničky, spôsobuje, že chladnička pracuje dlhší čas. Dvere otvárajte menej často.
- Oddelenie mrazničky alebo chladničky mohlo byť ponechané pootvorené. Skontrolujte, či sú dvere tesne zatvorené.
- Teplota v chladničke je nastavená na veľmi nízku hodnotu. Nastavte teplotu v chladničke na vyššiu a vyčkajte, kým je táto teplota dosiahnutá.
- Tesnenie dverí chladničky alebo mrazničky môže byť zanesené špinou, opotrebované, poškodené alebo nesprávne nasadené. Vyčistite alebo vymeňte tesnenie. Poškodené tesnenie spôsobuje, že chladnička pracuje dlhšiu dobu, aby udržala požadovanú teplotu.

Teplota mrazničky je veľmi nízka, zatiaľ čo teplota chladničky je dostatočná.

- Teplota v mrazničke je nastavená na veľmi nízku hodnotu. Nastavte teplotu v mrazničke na vyššiu a skontrolujte.

Teplota chladničky je veľmi nízka, zatiaľ čo teplota mrazničky je dostatočná.

- Teplota v chladničke je možno nastavená na veľmi nízku teplotu. Nastavte teplotu v chladničke na vyššiu a skontrolujte.

Jedlo uložené v spodných zásuvkách chladničky je zmrazené.

- Teplota v chladničke je možno nastavená na veľmi nízku teplotu. Nastavte teplotu v chladničke na vyššiu a skontrolujte.

Teplota v chladničke alebo mrazničke je príliš vysoká.

- Teplota v chladničke je možno nastavená na veľmi vysokú hodnotu. Nastavenia chladničky vplyvajú na teplotu v mrazničke. Zmeňte teplotu chladničky alebo mrazničky, pokiaľ sa tieto teploty nedostanú na adekvátnu úroveň.
- Dvere mohli byť často otvárané alebo ponechané po dlhý čas v pootvorenom stave - otvárajte ich menej často.
- Dvere ste možno nechali pootvorené - dvere úplne zatvorte.
- Do chladničky ste možno nedávno vložili väčšie množstvo teplého jedla. Počkajte, kým mraznička alebo chladnička dosiahnu požadovanú teplotu.
- Chladnička mohla byť pripojená do siete len nedávno. Úplné ochladenie chladničky nejaký čas trvá.

Prevádzkový hluk sa zvyšuje, keď chladnička pracuje.
<ul style="list-style-type: none"> • Prevádzkový výkon chladničky sa môže meniť podľa zmeny teploty okolia. Je to úplne normálne a neznamená to poruchu.
Otrasy alebo hluk.
<ul style="list-style-type: none"> • Podlaha nie je rovná alebo nie je pevná. Chladnička sa trasie pri pomalom pohybe. Skontrolujte, či podlaha dokáže uniesť hmotnosť chladničky a či je rovná. • Hluk môže byť spôsobený predmetmi položenými na chladničke. Odstráňte predmety na vrchu chladničky.
Z chladničky vychádzajú zvuky ako rozliatie alebo rozstrekovanie kvapaliny.
<ul style="list-style-type: none"> • Tok kvapaliny a plynu sa uskutočňuje podľa prevádzkových princípov. Je to úplne normálne a neznamená to poruchu.
Mraznička vydáva zvuky ako fúkanie vetra.
<ul style="list-style-type: none"> • Na ochladenie chladničky sa používajú ventilátory. Je to úplne normálne a neznamená to poruchu.
Kondenzácia na vnútorných stenách chladničky.
<ul style="list-style-type: none"> • Horúce a vlhké počasie zvyšuje namrazovanie a kondenzáciu. Je to úplne normálne a neznamená to poruchu. • Dvere ste možno nechali pootvorené - zabezpečte sa, že ste dvere úplne zatvorili. • Dvere mohli byť často otvárané alebo ponechané po dlhý čas v pootvorenom stave - otvárajte ich menej často.
Na vonkajšej strane chladničky alebo medzi dverami sa tvorí vlhkosť.
<ul style="list-style-type: none"> • Vo vzduchu sa môže nachádzať vlhkosť - je to celkom bežné pri vlhkom počasí. Pri nižšej vlhkosti sa kondenzácia stratí.
Vo vnútri chladničky je nepríjemný zápach.
<ul style="list-style-type: none"> • Musíte vyčistiť interiér chladničky. Interiér chladničky vyčistíte špongiou, vlažnou vodou alebo perlivou vodou. • Zápach môžu spôsobovať niektoré nádoby alebo obalové materiály. Použite odlišnú nádobu alebo odlišnú značku baliaceho materiálu.
Dvere sa nezatvárajú.
<ul style="list-style-type: none"> • Obaly potravín môžu brániť zatvoreniu dverí. Odstráňte obaly, ktoré bránia v ceste dverám. • Chladnička nie je na podlahe v úplne zvislej polohe a pri miernom pohybe sa kolíše. Nastavte elevačné skrutky. • Podlaha nie je rovná alebo dostatočne pevná. Skontrolujte, či je podlaha rovná a či dokáže uniesť hmotnosť chladničky.
Špeciálne priehradky sú zaseknuté.
<ul style="list-style-type: none"> • Jedlo sa môže dotýkať vrchnej strany zásuvky. Znovu usporiadajte jedlo v zásuvke.

Vennligst les denne veiledningen først!

Kjære kunde,

Vi håper at dette produktet, som er produsert under første klasses produksjonsforhold og har gjennomgått de strengeste kvalitetskontrollprosedyrer, vil

gi deg mange års utmerket tjeneste.

Derfor ber vi deg lese nøye gjennom denne veiledningen før du bruker produktet, og beholde denne for fremtidig bruk.




Bruksanvisningen

- Vil hjelpe deg med å bruke apparatet på en rask og sikker måte.
- Vennligst les bruksanvisningen før du installerer og bruker produktet.
- Følg instruksjonene, spesielt de som angår sikkerheten.
- Hold veiledningen lett tilgjengelig, siden du kan ha behov for den senere.
- Les også de andre dokumentene som ble levert sammen med produktet.

Vennligst merk at denne bruksanvisningen kan gjelde for flere andre modeller.

Symboler og beskrivelser av disse

Denne veiledningen inneholder følgende symboler:

-  Viktig informasjon eller nyttige tips om bruk.
-  Advarsel om farlige tilstander for liv og eiendom.
-  Advarsel om elektrisk spenning.

Resirkulering



Dette produktet har utvalgt sorteringssymbol for avfall elektrisk og elektronisk utstyr (WEEE).

Dette betyr at dette produktet må håndteres etter EU-direktivet 2002/96/EC for å resirkuleres eller demonteres for å redusere virkningen på miljøet. For ytterligere informasjon, vennligst ta kontakt med lokale eller regionale myndigheter.

Elektroniske produkter som ikke er inkludert i utvalgt sorteringsprosess er potensielt farlige for miljøet og menneskers helse pga. tilstedeværelse av farlige substanser.

INNHold

1 Kjøleskapet 3

2 Viktige sikkerhetsadvarsler 4

Beregnet bruk.....	4
For produkter med en vanddispenser:6	
Barnesikring	6
HCA-advarsel	6
Hva du må gjøre for å spare energi	6
Anbefalinger for ferskvareskuff	7

3 Montering 8

Forberedelse	8
Punkter som er viktige ved ytterligere transportering av kjøleskapet	8
Skifte belysningslampe	8
Før du bruker kjøleskapet	9
Elektrisk tilkobling	9
Avfallshåndtering av emballasje.....	9
Avfallshåndtering av det gamle kjøleskapet	10
Plassering og montering	10
Justering av gulvbalansen.....	10
Justering av avstanden til den øvre døren.....	11

4 Bruk av kjøleskapet 12

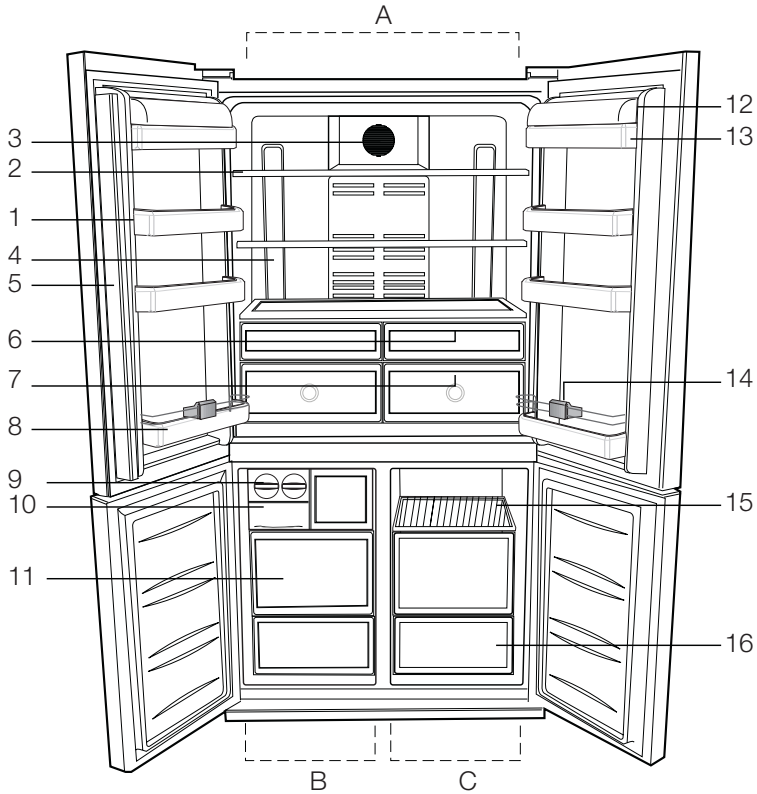
Indikatorpanel.....	12
Alarm for åpen dør:	14
Eggbrett	15
Glidehyller.....	15
Grønnsaksoppbevaring	15
Kjøledel	15
Bevegelig midtseksjon	16
Multisone oppbevaringsdel	16
Blått lys	16

5 Vedlikehold og rengjøring 17

Beskyttelse av plastoverflater	17
--------------------------------------	----

6 Anbefalte løsninger på problemer 18

1 Kjøleskapet



- A- Kjøleskapsdel
- B- Frysedel
- C- Multisone

- 1- Kjøleskapets dørhyller
- 2- Kjøleskapets justerbare skaphyller
- 3- Diffuserdeksel
- 4- Belysningslinse
- 5- Roterende midtseksjon
- 6- Kjøledel
- 7- Grønnsaksoppbevaring
- 8- Flaskehylle
- 9- Icematic
- 10- Isboks
- 11- Deler for oppbevaring av frossenmat
- 12- Deksel til hylle for smør og ost
- 13- Hylle for smør og ost
- 14- Flaskeholder
- 15- Multisone kjøleskapshyller
- 16- Multisonedel

i Figurene i denne veiledningen er skjematisk og kan derfor være litt forskjellige fra ditt produkt. Hvis noen deler ikke medfølger produktet du har kjøpt, gjelder den for andre modeller.

2 Viktige sikkerhetsadvarsler

Vennligst les følgende informasjon.

Hvis denne informasjonen ikke overholdes, kan det forårsake personskader eller materielle skader. Videre vil garanti og pålitelighetsforpliktelser regnes ugyldige.

Levetiden til produktet du har kjøpt, er 10 år. I denne perioden må du ha reservedelene som kreves for at enheten skal fungere slik som beskrevet.

Beregnet bruk

Dette produktet er beregnet til bruk

- Innendørs og på lukkede områder, slik som hjem.
- I lukkede arbeidsmiljøer, slik som butikker og kontorer.
- I lukkede husområder, slik som gårder, hoteller, pensjonater.
- Dette produktet skal ikke brukes utendørs.

Generell sikkerhet

- Når du ønsker å kaste/skrote produktet, anbefaler vi at du forhører deg med noen som er autorisert, slik at du får den nødvendige informasjonen og får rådført deg med autoriserte etater.
- Forhør deg med autoriserte personer ved spørsmål og problemer relatert til kjøleskapet. Ikke foreta endringer eller la noen andre foreta endringer på kjøleskapet uten å varsle noen som er autorisert.
- For produkter med fryserdel: Ikke spis iskrem med kjeks eller isbiter like etter at du har tatt dem ut av fryseren! (Dette kan forårsake frostbitt

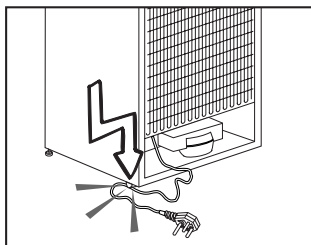
i munnen.)

- For produkter med fryserdel: Ikke putt drikkevarer på flaske eller bokser i fryseren. Det kan føre til at de sprekker.
- Ikke rør frossen mat med hendene, da disse kan feste seg til hånden.
- Trekk ut støpselet før rengjøring eller avising.
- Damp og damprengjøringsmidler skal aldri brukes i rengjørings- og avtiningsprosesser for kjøleskapet. I slike tilfeller kan dampen komme i kontakt med de elektriske delene og forårsake kortslutning eller elektrisk sjokk.
- Bruk aldri delene på kjøleskapet, slik som døren, som støtte eller trinn.
- Ikke bruk elektriske innretninger på innsiden av kjøleskapet.
- Ikke ødelegg delene der kjølevæsken sirkulerer med drill eller kutteverktøy. Kjølevæsken som kan strømme ut når gasskanaler til fordampere, rørforlengelser eller overflatebelegg punkteres, kan forårsake hudirritasjon og øyeskader.
- Ikke dekk til eller blokker ventilasjonsåpningene på kjøleskapet med noe materiale.
- Elektriske enheter må kun repareres av autoriserte personer. Reparasjoner som utføres av person som ikke er kompetente, kan forårsake fare for brukeren.
- I tilfelle feil under vedlikehold eller reparasjonsarbeid, kople fra kjøleskapets strømforsyning ved å slå av tilhørende sikring eller trekke ut støpselet.
- Ikke dra i selve ledningen når du trekker ut støpslet.

- Plasser drikkebeholdere godt lukket og stående.
- Lagre aldri spraybokser som inneholder antennelig og eksplosive stoffer i kjøleskapet.
- Ikke bruk mekanisk utstyr eller andre midler for å akselerere avisingsprosessen annet enn slikt utstyr som produsenten anbefaler.
- Dette produktet bør ikke brukes av personer med fysiske, sensoriske eller mentale forstyrrelser, eller personer som ikke er opplært eller ikke har noen erfaring (inkludert barn), med mindre de holdes under oppsyn av noen som er ansvarlige for deres sikkerhet, eller som kan vise dem hvordan produktet skal brukes.
- Ikke bruk et ødelagt kjøleskap. Forhør deg med et serviceverksted hvis du har spørsmål.
- Den elektriske sikkerheten til kjøleskapet kan kun garanteres hvis jordingen i hjemmet oppfyller standardene.
- Det er farlig å utsette produktet for regn, snø, sol og vind pga. elektrisk sikkerhet.
- Ta kontakt med noen som er autorisert hvis en strømkabel skades, slik at du unngår fare.
- Plugg aldri kjøleskapet inn i vegguttaket under monteringen. Dette kan medføre død eller alvorlig skade.
- Dette kjøleskapet er kun beregnet til oppbevaring av mat. Det skal ikke brukes til noen andre formål.
- Merket med tekniske spesifikasjoner befinner seg på venstre side inne i kjøleskapet.
- Koble aldri kjøleskapet til strømsparesystemer, de kan skade

kjøleskapet.

- Hvis det finnes et blått lys på kjøleskapet, ikke se på det blå lyset med optiske verktøy.
- For kjøleskap som styres manuelt vent i minst 5 minutter før du slår på kjøleskapet etter et strømbrydd.
- Denne brukerhåndboken skal overleveres til neste eier av produktet hvis det skifter eier.
- Unngå å skade strømkabelen ved transport av kjøleskapet. Bøying av kabelen kan forårsake brann. Plasser aldri tunge gjenstander på strømlenningen. Ikke berør støpselet med våte hender når du kobler til produktet.



- Ikke koble til kjøleskapet hvis vegguttaket er løst.
- Ikke sprut vann direkte på de ytre eller indre delene av produktet av sikkerhetsmessige grunner.
- Ikke spray stoffer som inneholder antennelige gasser, slik som propangass i nærheten av kjøleskapet for å unngå brann- og eksplosjonsfare.
- Ikke plasser gjenstander som er fylt med vann oppå kjøleskapet, da det kan føre til elektrisk støt eller brann.
- Ikke overbelast kjøleskapet med for mye mat. Hvis det overlastes, kan maten falle ned og skade deg og kjøleskapet når du åpner døren.

Ikke plasser gjenstander oppe på kjøleskapet, da disse kan falle ned når du åpner eller lukker kjøleskapsdøren.

- Produkter som trenger en nøyaktig temperaturkontroll (vaksiner, varmesensitive medisiner, forskningsmaterialer osv.), skal ikke oppbevares i kjøleskapet.
- Hvis det ikke skal brukes på lang tid, skal kjøleskapet kobles fra strømuttaket. Et problem i den elektriske kablet kan føre til brann.
- Tuppen på den elektriske pluggen skal rengjøres regelmessig, ellers kan det oppstå brann.
- Tuppen på pluggen skal rengjøres regelmessig med en tørr klut, ellers kan det oppstå brann.
- Kjøleskapet kan flytte seg hvis de justerbare beina ikke er riktig sikret på gulvet. Riktig sikring av justerbare bein på gulvet kan forhindre at kjøleskapet flytter seg.
- Når du bærer kjøleskapet, ikke hold det etter dørhåndtaket. Da kan det knekke av.
- Hvis du må plassere produktet ved siden av et annet kjøleskap eller fryser, skal avstanden mellom enheten være minst 8 cm. Ellers kan sideveggene som grenser til hverandre bli fuktige.

For produkter med en vandispenser:

Vanntrykket skal være minst 1 bar.

Vanntrykket skal være maks. 8 bar.

- Bruk kun drikkevann.

Barnesikring

- Hvis du har en lås på døren, skal nøkkelen oppbevares utilgjengelig for barn.
- Barn må passes på slik at de ikke tukler med produktet.

HCA-advarsel

Hvis produktets kjølesystem inneholder R600a:

Denne gassen er brennbar. Derfor vær forsiktig så kjølesystemet og rørene ikke ødelegges under bruk og transport. For å unngå skader skal produktet holdes på avstand fra potensielle brannkilder som kan forårsake at produktet begynner å brenne, sørg også for god ventilasjon i rommet der apparatet er plassert.

Ignorer denne advarselen hvis produktets kjølesystem inneholder R134a:

Typen gass som brukes i produktet er oppgitt på typeskiltet som finnes på venstre side inne i kjøleskapet.

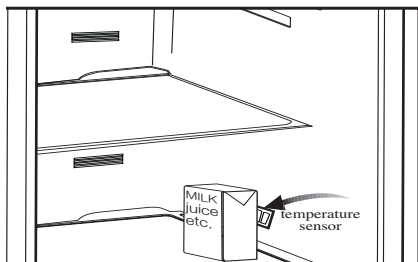
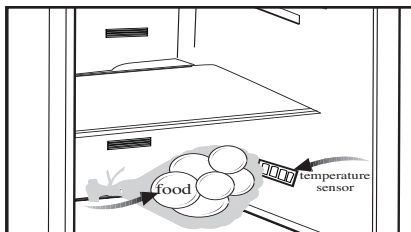
Kast aldri produktet inn i flammer ved avhending.

Hva du må gjøre for å spare energi

- Ikke hold dørene til kjøleskapet åpne over lang tid.
- Ikke putt varm mat eller drikke i kjøleskapet.
- Ikke overlast kjøleskapet slik at luftsirkulasjonen inne i kjøleskapet forhindres.
- Ikke plasser kjøleskapet i direkte sollys eller i nærheten av varmeutstrålende apparater, slik som ovn, oppvaskmaskin eller radiator.
- Sørg for å holde maten i lukkede beholdere.
- For produkter med en fryserdel: Du kan lagre maksimale mengder mat i fryseren hvis du fjerner hyllen eller skuffen i fryseren. Energiforbruksnivået til kjøleskapet er blitt fastslått ved å fjerne fryserhyllen eller skuffen og ved å ha maksimal last. Det er ingen fare ved bruk av hyllene eller skuffen i henhold til form og størrelse på maten som skal fryses.
- Opptining av frossenmat i kjøleskapsdelen vil både være energisparende og bevare matkvaliteten.

Anbefalinger for ferskvareraskuff * EKSTRAUTSTYR

- Pass på at matvarer ikke kommer i kontakt med temperaturføleren i ferskvareraskuffen. For å sikre at den ideelle oppbevaringstemperaturen i ferskvareraskuffen opprettholdes, må ikke føleren blokkeres av matvarer.
- Ikke sett varm mat inn apparatet.



3 Montering

- ⚠ Vennligst husk at produsenten ikke skal holdes ansvarlig hvis informasjonen som gis i bruksanvisningen ikke overholdes.

Forberedelse

- Kjøleskapet skal ha minst 30 centimeters avstand fra varmekilder, slik som f.eks. komfyrer, ovner, sentralvarme og kokeplater, samt minst 5 centimeters avstand fra elektriske ovner og skal ikke plasseres i direkte sollys.
- Omgivelsestemperaturen i det rommet der kjøleskapet plasseres, skal være minst 10 °C. Bruk av kjøleskapet under kaldere forhold enn dette anbefales ikke av hensyn til yteevnen.
- Vennligst sørg for at de innvendige delene av kjøleskapet rengjøres grundig.
- Hvis to kjøleskap skal plasseres ved siden av hverandre, skal det være en avstand på minst 2 cm mellom dem.
- Vennligst etterfølg følgende instruksjoner de første seks timene når du bruker kjøleskapet for første gang.
 - Døren skal ikke åpnes ofte.
 - Det skal være tomt, dvs. uten mat.Ikke trekk ut støpselet til kjøleskapet. Hvis et strømbrudd oppstår som du ikke kan kontrollere, vennligst se advarsler i avsnittet "Anbefalte løsninger på problemer".
- Originalinnpakningen og skummaterialer skal beholdes for fremtidig transport eller flytting.

Punkter som er viktige ved ytterligere transportering av kjøleskapet

1. Kjøleskapet må tømmes og rengjøres før transport.
2. Hyller, tilbehør, grønnsaksoppbevaringsboks osv. i kjøleskapet må festes godt med teip for å unngå støt før innpakning.
3. Innpakningen må festes med tykk teip og solide tau, og instruksjoner om transport på pakningen må følges.

Vennligst ikke glem...

All resirkulert materiale er en uunnværlig kilde for naturen og for våre nasjonale ressurser.

Hvis du ønsker å bidra med resirkulering av innpakkingsmaterialer, kan du få mer informasjon fra miljøorganisasjoner eller lokale myndigheter.

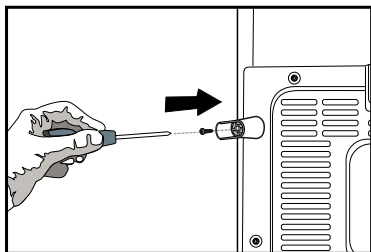
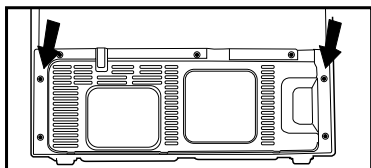
Skifte belysningslampen

For å skifte lampen for belysning av kjøleskapet, vennligst ring autorisert service.

Før du bruker kjøleskapet

Før du begynner å bruke kjøleskapet, må du kontrollere følgende:

1. Er de innvendige delene av kjøleskapet tørre, og kan luften sirkulere fritt på baksiden av skapet?
2. Sett inn de 2 plastkilene på den bakre ventilasjonen slik det er anvist i følgende illustrasjon. Sku løs de eksisterende skruene og bruk de skruene som finnes i samme pose som kilene. Plastkiler sørger for en riktig avstand mellom kjøleskap og vegg, slik at det blir en godluftsirkulasjon.



3. Rengjør de innvendige delene av kjøleskapet slik det er anbefalt i avsnittet "Vedlikehold og rengjøring".
4. Sett kjøleskapets støpsel inn i strømuttaket. Hvis døren er åpen, vil interiørlyset tennes.
5. Kompressoren avgir lyd når den starter opp. Væsken og gassene som er forseglet inne i kjølesystemet kan også avgi lyd selv om kompressoren ikke går, noe som for øvrig er helt normalt.
6. Frontkantene på kjøleskapet kan føles varme. Dette er normalt. Disse delene på kjøleskapet er konstruert slik at de blir varme for å unngå kondens.

Elektrisk tilkobling

Tilkoble kjøleskapet til et jordet uttak som har en sikring med tilstrekkelig kapasitet.

Viktig:

- Tilkoblingen skal være i overensstemmelse med nasjonale forskrifter.
 - Strømledningens støpsel skal være lett tilgjengelig etter monteringen.
 - Spenning og tillatt sikringsvern er spesifisert i avsnittet "Tekniske spesifikasjoner".
 - Oppgitt spenning må være lik spenningen til strømmettet.
 - Skjøtekabler og flerveisplugger skal ikke brukes for tilkobling.
- ⚠ En ødelagt strømledning skal skiftes ut av en kvalifisert elektriker.
- ⚠ Apparatet skal ikke brukes med mindre det er reparert! Det er fare for elektrisk støt!

Avfallshåndtering av emballasje

Innpakningsmaterialer kan være farlige for barn. Hold innpakningsmaterialene utilgjengelig for barn eller kast dem ved sortering etter avfallsforskriftene. Ikke kast dem sammen med normalt husholdningsavfall.

Emballasjen til kjøleskapet er produsert av resirkulerbare materialer.

Avfallshåndtering av det gamle kjøleskapet

Kast det gamle kjøleskapet uten å skade miljøet.

- Du kan forhøre deg hos din autoriserte forhandler eller ved renovasjonsanlegget der du bor om avfallshåndteringen av kjøleskapet.

Kutt av støpselet før du kaster kjøleskapet, og hvis det er lås på døren, må du sørge for at den ikke lenger kan brukes, slik at barn beskyttes mot enhver farlig situasjon.

Plassering og montering

OBS: Plugg aldri kjøleskapet inn i vegguttaket under monteringen. Dette kan medføre død eller alvorlig skade.

Hvis inngangsdøren til rommet der kjøleskapet skal plasseres ikke er bred nok til å få gjennom kjøleskapet, ring en autorisert person som kan fjerne dørene på kjøleskapet og få det gjennom døren sideveis.

1. Plasser kjøleskapet på et sted det er enkelt å bruke det.
2. Hold kjøleskapet på avstand fra varmekilder, fuktige steder og direkte sollys.
3. Det skal være tilstrekkelig luftventilasjon rundt kjøleskapet for å oppnå en effektiv drift.

Hvis kjøleskapet skal plasseres i en innbygging i veggen, må det være minst 5 cm avstand fra taket og 5 cm fra veggen.

Hvis gulvet er dekket med et teppe, skal apparatet heves 2,5 cm fra gulvet.

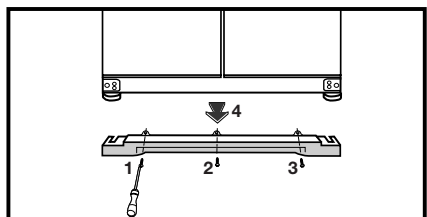
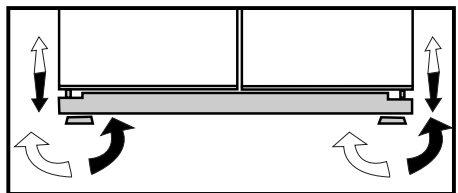
4. Plasser kjøleskapet på et plant gulv for å unngå risting.

5. Ikke oppbevar kjøleskapet i omgivelser med temperaturer under 10°C.

Justering av gulvbalansen

Hvis kjøleskapet ikke er balansert:

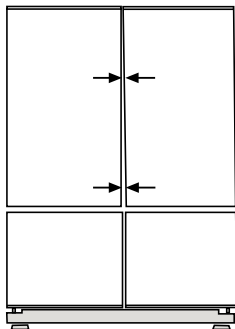
1- Fjern ventilasjonsdekselet ved å skru løs skruene, slik det er vist i illustrasjonen. Du kan balansere kjøleskapet ved å rotere frontbeina slik det er vist i illustrasjonen. Hjørnene med ben senkes når du roterer dem i retningen av den svarte pilen og løftes når du roterer i motsatt retning. Det er lettere hvis du får hjelp til å løfte kjøleskapet mens du gjennomfører denne prosessen.



2. Når kjøleskapet er i balanse, monterer du ventilasjonsdekselet og fester skruene som medfølger.

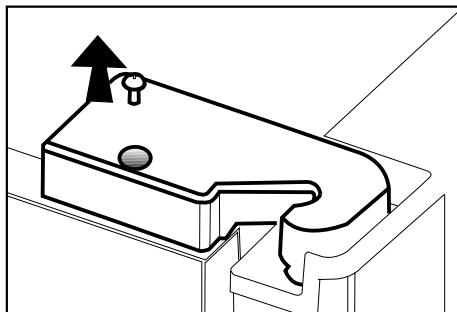
3. Fjern skruene som holder på plass nedre ventilasjonsdeksel ved bruk av en Philips skrutrekker.

Justering av avstanden til den øvre døren



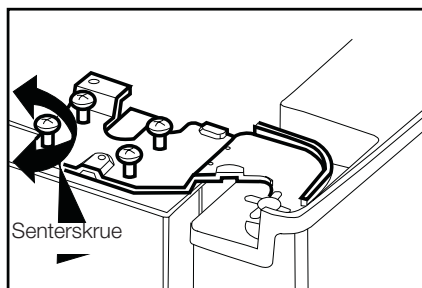
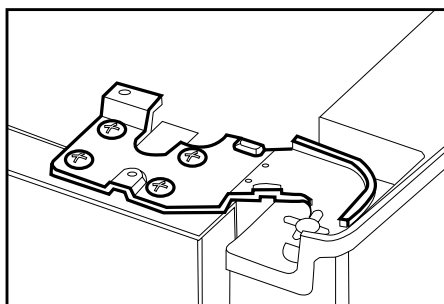
• Du kan justere avstanden mellom kjøleskapsdørene slik det er vist i illustrasjonen.

Dørhyllene skal være tomme ved justering av dørhøyden.

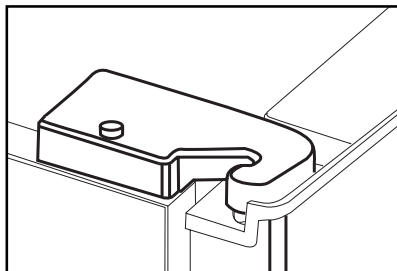
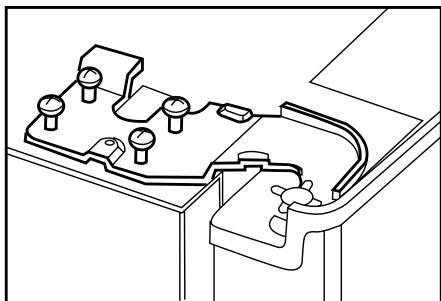


• Ved bruk av en skrutrekker fjernes skruen på øvre hengseldeksel på døren du ønsker å justere.

• Juster døren etter ønske ved å løsne skruene.



• Fest døren du justerte ved å trekke til skruene uten å skifte posisjon på døren.

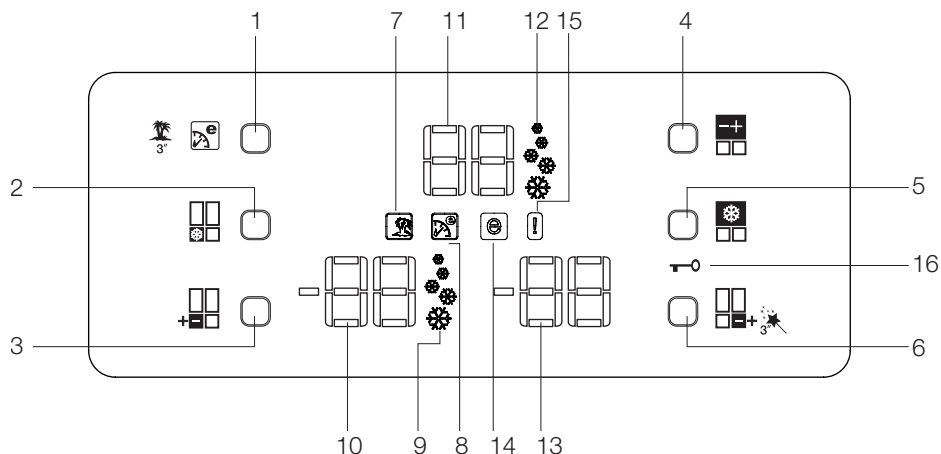


• Sett på hengseldekslet og fest det med skruen.

4 Bruk av kjøleskapet

Indikatorpanel

Dette berøringskontrollindikatorpanelet gjør at du kan stille inn temperaturen uten å åpne døren på kjøleskapet. Bare berør den tilhørende knappen med fingeren for å stille inn temperaturen.



1. Eco Extra/ferie-knapp
2. Hurtigfrysknapp
3. Fryserdel - temperaturinnstillingsknapp
4. Kjøleskap - temperaturinnstillingsknapp
5. Hurtigkjølingsknapp
6. Multisoneoppbevaring - temperaturinnstillingsknapp
7. Feriefunksjonsindikator
8. Eco Extra funksjonsindikator
9. Hurtigfrys-funksjonsindikator
10. Fryserdel - temperaturindikator
11. Kjøleskap - temperaturindikator
12. Hurtigkjøl-funksjonsindikator
13. Multisoneoppbevaring - temperaturindikator
14. Økonomimodusindikator
15. Feilstatusindikator
16. Nøkkellåsindikator

i Figurene i denne veiledningen er skjematiske og kan derfor være litt forskjellige fra ditt produkt. Hvis noen deler ikke medfølger produktet du har kjøpt, gjelder den for andre modeller.

1. Eco Extra/ferie-knapp

Trykk kort på denne knappen for å aktivere Eco Extra-funksjonen. Trykk og hold denne knappen i 3 sekunder for å aktivere feriefunksjonen. Trykk på denne knappen igjen for å deaktivere den valgte funksjonen.

2. Hurtigfrysknapp

Trykk kort på denne knappen for å aktivere hurtigfrysfunksjonen. Trykk på denne knappen igjen for å deaktivere den valgte funksjonen.

3. Knapp til temperaturinnstillingsindikator

Trykk på denne knappen for å stille inn temperaturen i fryserdelen på henholdsvis -18, -20, -22, -24, -18... Trykk på denne knappen for å stille inn ønsket temperatur på fryseren.

4. Kjøleskapets temperaturinnstillingsknapp

Trykk på denne knappen for å stille inn temperaturen i kjøleskapet på henholdsvis 8, 6, 4, 2, 8... Trykk på denne knappen for å stille inn ønsket temperatur på kjøleskapet.

5. Hurtigkjølingsknapp

Trykk kort på denne knappen for å aktivere hurtigkjølingsfunksjonen. Trykk på denne knappen igjen for å deaktivere den valgte funksjonen.

6. Multisoneoppbevaring - temperaturinnstillingsknapp

Du kan stille inn multisoneoppbevaringen enten som en fryser eller et kjøleskap. Trykk og hold denne knappen i 3 sek. for å stille inn multisoneoppbevaringen enten som en fryser eller et kjøleskap. Denne delen er stilt inn som fryserdel fra fabrikk.

Hvis multisoneoppbevaringsdelen er stilt inn som en fryser, vil temperaturen på multisonedelen endres som -18, -20, -22, -24, -18... respektivt hver gang du trykker på denne knappen. Hvis multisoneoppbevaringsdelen er stilt inn som en kjøler, vil temperaturen på multisonedelen endres som 10, 8, 6, 4, 2, 0, -6... respektivt hver gang du trykker på denne knappen.

7. Feriefunksjonsindikator

Indikerer at feriefunksjonen er aktiv. Hvis denne funksjonen er aktiv, vises " - - " på indikatoren døren på kjøleskapet, og det utføres ingen nedkjøling i kjøleskapet. Andre deler vil være nedkjølte i overensstemmelse med temperaturen som er stilt inn for dem.

Trykk på den tilhørende knappen igjen for å deaktivere denne funksjonen.

8. Eco Extra funksjonsindikator

Indikerer at Eco Extra-funksjonen er aktiv. Hvis denne funksjonen er aktiv, vil kjøleskapet automatisk oppdage de siste bruksperiodene, slik at det utføres energieffektiv kjøling i løpet av disse tidene. Økonomi-indikatoren vil være aktiv når det utføres energieffektiv nedkjøling.

Trykk på den tilhørende knappen igjen for å deaktivere denne funksjonen.

9. Funksjonsindikator for hurtigfrys

Indikerer at hurtigfrysfunksjonen er aktiv. Bruk denne funksjonen når du plasserer fersk mat i fryserdelen eller når du trenger is. Når denne funksjonen er aktiv, vil kjøleskapet gå i 6 timer uten stopp.

Trykk på den tilhørende knappen igjen for å deaktivere denne funksjonen.

10. Temperaturindikator for fryser

Indikerer temperaturen som er stilt inn for fryserdelen.

11. Temperaturindikator for kjøleskap

Indikerer temperaturen som er stilt inn for kjøleskapet.

12.

Hurtigkjølingsfunksjonsindikator

Indikerer at hurtigkjølingsfunksjonen er aktiv. Bruk denne funksjonen når du plasserer fersk mat i kjøleskapet eller når du trenger å kjøle ned maten hurtig. Når denne funksjonen er aktiv, vil kjøleskapet gå i 2 timer uten stopp. Trykk på den tilhørende knappen igjen for å deaktivere denne funksjonen.

13. Multisoneoppbevaring - temperaturindikator

Indikerer temperaturen som er stilt inn for multisoneoppbevaringen.

14. Økonomimodusindikator

Indikerer at kjøleskapet kjører i energieffektiv modus. Temperatur i fryseren

Denne indikatoren vil være aktiv hvis funksjonen er stilt på -18, eller den energieffektive kjølingen utføres på grunn av Eco-Extra-funksjonen.

15. Feilstatusindikatorer

Hvis kjøleskapet ikke kjøler ordentlig eller hvis det er en sensorsvikt, vil denne indikatoren aktiveres. Når denne indikatoren er aktiv, vil fryserdeltemperaturen indikere "E" og kjøleskapstemperaturen vil vise tall, slik som "1, 2, 3...". Disse tallene på indikatoren gir informasjon om feilen til servicepersonell.

16. Tastelåsindikator

Bruk denne funksjonen hvis du ikke ønsker å endre kjøleskapets temperaturinnstilling. Trykk på hurtigkjølingsknappen og multisoneoppbevaringens temperaturinnstillingsknapp samtidig i 3 sek. for å aktivere denne funksjonen. Trykk på de tilhørende knappene igjen for å deaktivere denne funksjonen.

Alarm for åpen dør:

Hvis en av kjøleskapsdørene eller **multisoneoppbevaringens** dør blir åpne i minst 1 minutt, vil det aktiveres en hørbar døralarm. Trykk på en av knappene på indikatoren, eller lukk den åpne døren for å slå av alarmen.

Eggbrett

Du kan installere eggholderen til ønsket dør eller hylle.

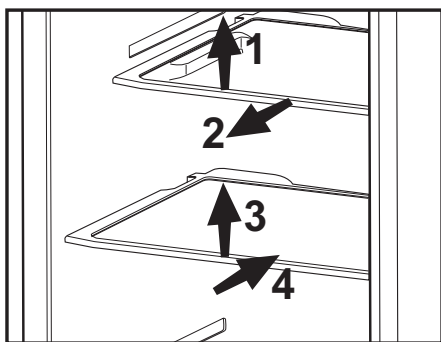
Lagre aldri eggholderen i fryseren.

Glidehyller

Glidehyllene kan trekkes ut ved å løfte litt opp foran og flyttes frem og tilbake. De kan flyttes til et visst punkt når de trekkes fremover, slik at du når maten som er plassert bakerst på hyllen; når den trekkes ut etter å ha blitt løftet opp ved det andre stoppunktet, vil hyllen frigjøres.

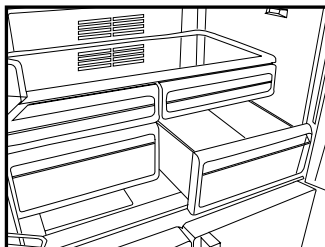
Hyllen skal også holdes godt nedenfra for å forhindre at den velter. Hyllen plasseres på skinnene i siden på kjøleskapet ved å bringe den til et nivå lavere eller høyere.

Hyllen skal skyves tilbake for å festes helt.



Grønnsaksoppbevaring

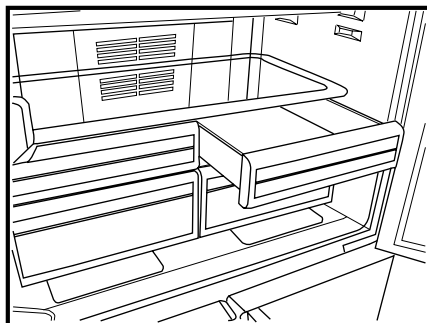
Grønnsaksskuffen i kjøleskapet er utformet spesielt til å holde grønnsakene dine ferske uten at de mister fuktigheten. Til dette formålet sirkulerer kald luft rundt fruktoppbevaringen.



Kjøledel

Kjøledelen gjør at mat som skal fryses blir klar til frysing. Du kan også bruke disse delene til å oppbevare maten din ved en temperatur som er noen få grader under kjøleskapsdelen.

Du kan øke det indre volumet på kjøleskapet ved å fjerne en av kjølerdelene. For å gjøre dette, trekk delen mot deg; delen vil hvile mot stopperen og stoppe. Denne delen vil frigis når du løfter den omtrent 1 cm og trekker den mot deg.



Bevegelig midtseksjon

Den bevegelige midtseksjonen er beregnet til å forhindre at den kalde luften inne i kjøleskapet strømmer ut.

1- Det gis forsegling når pakningene på døren trykker mot overflaten på den bevegelige midtseksjonen når dørene på kjøleskapet er lukket.

2- En annen grunn til at kjøleskapet er utstyrt med en bevegelig midtseksjon, er fordi den øker nettovolumet til kjøleskapet. Standard midtseksjoner tar opp ubrukelig volum i kjøleskapet.

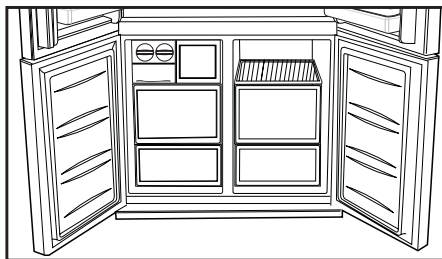
3- Den bevegelige midtseksjonen lukkes når den venstre døren på kjøleskapet lukkes.

4- Den må åpnes manuelt. Den beveges under veiledning av plastdelen på rammen mens døren er lukkes.

Multisone oppbevaringsdel

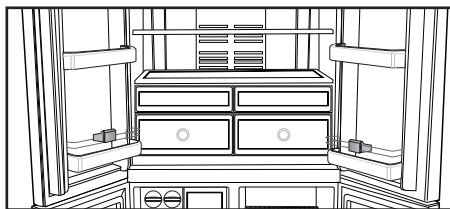
Multisoneoppbevaringen i kjøleskapet kan brukes i enhver ønsket modus ved å justere den til kjøle-(-2/4/6/8 °C) eller fryserstemperaturer (-18/-20/-22/-24). Du kan holde kjøleskapet ved ønsket temperatur med temperaturinnstillingsknappen for multisonedelen. Temperaturen på multisonedelen kan stilles på 0 og 10 grader i tillegg til kjøleskapsdelen og på -6 grader i tillegg til fryserdeltemperaturene. 0 grader brukes til å lagre delikatessprodukter lengre, og -6 grader brukes til å oppbevare kjøtt i opptil 2 uker i en tilstand som lett kan skjæres opp.

i Funksjonen for å bytte fra kjøleskap til fryserdel gis gjennom et kjøleelement som befinner seg i den lukkede delen (kompressorhuset) bak kjøleskapet. Når dette elementet er i drift, avgir det en lyd lik lyden av sekundviseren til en analog klokke. Dette er normalt og er ingen feil.



Blått lys

Maten som oppbevares i grønnsaksbeholderen som er opplyst med et blått lys fortsetter fotosyntesen med bølgelengdeeffekten fra det blå lyset og beholder dermed ferskheten og øker vitamininnholdet.



5 Vedlikehold og rengjøring

- ⚠ Bruk aldri bensin, benzen eller lignende stoffer til rengjøring.
- ⚠ Vi anbefaler at du trekker ut støpselet på apparatet før rengjøring.
- ⚠ Bruk aldri noen skarpe redskaper eller rengjøringsmidler med skureeffekt, såpe, rengjøringsmidler for hjemmebruk eller voks til rengjøringen.
- ℹ Bruk lunkent vann for å vaske skapet og tørk det tørt.
- ℹ Bruk en fuktig klut vridd opp i en oppløsning av en teskje bikarbonatsoda til ca. ½ liter vann for å rengjøre innsiden av skapet og tørk det tørt.
- ⚠ Pass på at det ikke kommer vann inn i pærehuset eller andre elektriske gjenstander.
- ⚠ Hvis kjøleskapet ikke skal brukes over en lengre periode, må du trekke ut støpselet, ta ut alle matvarer, rengjøre det og sette døren på klem.
- ℹ Kontroller pakningene til dørene jevnlig for å sikre at de er rene og fri for matrester.
- ⚠ For å demontere dørstativene tar du først ut alt innholdet og så skyver du ganske enkelt dørstativet opp fra bunnen.

Beskyttelse av plastoverflater

- ℹ Ikke putt flytende oljer eller oljekokte måltider i kjøleskapet i uforseglede beholdere, da disse kan ødelegge plastoverflatene i kjøleskapet. Ved søling eller smøring av olje på plastoverflater, rengjør og rens denne delen av overflaten med en gang med varmt vann.

6 Anbefalte løsninger på problemer

Gå igjennom følgende liste før du ringer etter service. Det kan spare deg tid og penger. Denne listen inkluderer hyppige klager som ikke oppstår fra defekt utføring eller materialbruk. Noen av funksjonene som beskrives her finnes kanskje ikke i ditt produkt.

Kjøleskapet virker ikke.

- Er kjøleskapet plagget inn? Sett støpselet inn i strømuttaket.
- Har sikringen til uttaket kjøleskapet er tilknyttet eller hovedsikringen gått? Kontroller sikringen.

Kondens på sideveggen av kjøleskapet (MULTIZONE, COOL CONTROL og FLEXI ZONE).

- Svært kalde omgivelser. Hyppig åpning eller lukking av døren. Svært fuktige omgivelser. Lagring av mat som inneholder væske i åpne beholdere. Døren står på gløtt. Still termostaten til en kaldere grad.
- Reduser tiden døren står åpen eller bruk mindre hyppig.
- Dekk til mat som lagres i åpne beholdere med egnet materiale.
- Tørk av kondensen med en tørr klut og kontroller om problemet fortsetter.

Kompressoren går ikke

- Termovern for kompressoren vil koples ut under plutselig strømbrydd eller utplugging og innplugging hvis kjølevæsketrykket i kjølesystemet til kjøleskapet ikke er balansert. Kjøleskapet vil starte etter ca. 6 minutter. Vennligst ring service hvis kjøleskapet ikke starter etter utløpet av denne tiden.
- Kjøleskapet er i defrostsyklus. Dette er normalt for et helautomatisk avisningskjøleskap. Avisningssyklusen gjennomføres regelmessig.
- Kjøleskapet er ikke tilkoplest strømuttaket. Se til at støpselet passer godt inn i uttaket.
- Er temperaturinnstillingene foretatt riktig?
- Strømtilførselen kan være brutt.

Kjøleskapet går hyppig eller over lang tid.

- Det nye produktet kan være bredere enn det gamle. Dette er helt normalt. Store kjøleskap arbeider over lengre tidsperioder.
- Omgivelsestemperaturen kan være høy. Dette er helt normalt.
- Kjøleskapet kan ha vært plugget inn nylig eller blitt lastet med mat. Fullstendig nedkjøling av kjøleskapet kan ta et par timer lenger.
- Store mengder varm mat har blitt lagt inn i kjøleskapet nylig. Varm mat forårsaker lengre drift av kjøleskapet inntil den oppnår sikker oppbevaringstemperatur.
- Dørene kan ha vært åpnet hyppig eller stått på gløtt i lang tid. Varm luft som har kommet inn i kjøleskapet gjør at kjøleskapet kjører over lang tid. Åpne dørene mindre hyppig.
- Fryser- eller kjøleskapsdør kan ha stått på gløtt. Kontroller om dørene er godt lukket.
- Kjøleskapet er justert til svært kald temperatur. Juster kjøleskapets temperatur til høyere grad og vent inntil temperaturen er oppnådd.
- Dørtetningen til kjøleskapet eller fryseren kan være tilsmusset, utslitt, ødelagt eller ikke på plass. Rengjør eller skift ut tetningen. Skadet/ødelagt tetning gjør at kjøleskapet går over lang tid for å opprettholde aktuell temperatur.

Frysertemperaturen er svært lav, mens kjøleskapstemperaturen er tilstrekkelig.

- Fryserens temperatur er justert til en svært lav temperatur. Juster fryserens temperatur til en høyere grad og kontroller.

Kjøleskapstemperaturen er svært lav, mens frysertemperaturen er tilstrekkelig.

- Kjøleskapets temperatur kan ha blitt justert til svært lav temperatur. Juster kjøleskapets temperatur til en høyere grad og kontroller.

Mat som oppbevares i skuffene fryser.

- Kjøleskapets temperatur kan ha blitt justert til svært lav temperatur. Juster kjøleskapets temperatur til en høyere grad og kontroller.

Temperaturen i kjøleskapet eller fryseren er svært høy.

- Kjøleskapets temperatur kan ha blitt justert til svært høy temperatur. Kjøleskapsjusteringen har virkning på temperaturen til fryseren. Endre temperaturen i kjøleskapet eller fryseren inntil kjøleskapets eller fryserens temperatur når et tilstrekkelig nivå.
- Dørene kan ha vært åpnet hyppig eller stått på gløtt i lang tid - åpne dem mindre hyppig.
- Døren kan ha blitt stående åpen - lukk døren helt.
- Store mengder varm mat har blitt lagt inn i kjøleskapet nylig. Vent inntil kjøleskap eller fryser når ønsket temperatur.
- Kjøleskapet kan ha vært tilkoplek nylig. Fullstendig nedkjøling av kjøleskapet tar tid.

Driftslyden øker når kjøleskapet går.
<ul style="list-style-type: none"> • Ytelsen til kjøleskapet kan endres etter endringene i omgivelsestemperaturen. Dette er helt normalt og er ingen feil.
Vibrasjon eller klapping.
<ul style="list-style-type: none"> • Gulvet er ikke jevnt eller er svakt. Kjøleskapet vugger når det flyttes sakte. Se til at gulvet er sterkt nok til å bære kjøleskapet og at det er flatt. • Støyen kan forårsakes av gjenstandene som legges inn i kjøleskapet. Gjenstander oppå kjøleskapet skal fjernes.
Det kommer lyder fra kjøleskapet som ligner væskesøl eller spraying.
<ul style="list-style-type: none"> • Væske- og gasstrømninger skjer etter virkeprinsippene til kjøleskapet. Dette er helt normalt og er ingen feil.
Det høres støy som om det blåser vind.
<ul style="list-style-type: none"> • Det brukes vifter for å kjøle ned kjøleskapet. Dette er helt normalt og er ingen feil.
Kondens på de indre veggene på kjøleskapet.
<ul style="list-style-type: none"> • Varmt og fuktig vær øker ising og kondens. Dette er helt normalt og er ingen feil. • Døren kan ha blitt stående åpen - se til at dørene lukkes helt. • Dørene kan ha vært åpnet hyppig eller stått på gløtt i lang tid - åpne dem mindre hyppig.
Fuktighet oppstår på utsiden av kjøleskapet eller mellom dørene.
<ul style="list-style-type: none"> • Det kan være fuktighet i luften - dette er helt normalt ved fuktig vær. Når fuktigheten er lavere, vil kondensen forsvinne.
Dårlig lukt inne i kjøleskapet.
<ul style="list-style-type: none"> • Det må rengjøres inni kjøleskapet. Rengjør innsiden av kjøleskapet med en svamp, lunkent vann eller karbonert vann. • Noen beholdere eller innpakkingsmaterialer kan forårsake lukten. Bruk en annen beholder eller annet merke på innpakkingsmaterialet.
Døren lukkes ikke.
<ul style="list-style-type: none"> • Matpakninger forhindrer lukking av døren. Flytt pakninger som forhindrer lukking av døren. • Kjøleskapet er ikke plassert helt vertikalt på gulvet og kan vugge når det beveges forsiktig. Juster høydeskruene. • Gulvet er ikke jevnt eller sterkt. Se til at gulvet er jevnt og har evne til å bære kjøleskapet.
Grønnsaksopprevaringsboksene sitter fast.
<ul style="list-style-type: none"> • Mat kan berøre taket i skuffen. Omplasser maten i skuffen.

Lue tämä käyttöopas ensin!

Hyvä asiakas,

Toivomme, että tuotteemme, mikä on valmistettu ensiluokkaisessa valmistuslaitoksessa ja tarkistettu erittäin tarkoin laaduntarkastustoimenpiteissä, tulee

olemaan käytössäsi monta hyvää toimintavuotta.

Tämän varmistamiseksi toivomme, että luet huolellisesti koko käyttöoppaan ennen jääkaapin käyttöön ottoa, ja säilytät sitä helposti saatavilla tulevaa käyttöä varten.




Tämä käyttöopas

- Auttaa käyttämään jääkaappia nopeasti ja turvallisesti.
- Lue käyttöopas ennen jääkaapin asennusta ja käyttöä.
- Noudata ohjeita, erityisesti niitä, jotka koskevat turvallisuutta.
- Säilytä käyttöopasta helposti saatavilla olevassa paikassa, sillä voit tarvita sitä myöhemmin.
- Lue myös muut tuotteen mukana tulleet asiakirjat.

Huomaa, että tämä käyttöopas voi soveltua myös muihin malleihin.

Symbolit ja niiden kuvaus

Tässä käyttöoppaassa käytetään seuraavia symboleja:

-  Tärkeitä tietoja tai hyödyllisiä käyttövihjeitä.
-  Varoitus hengelle ja omaisuudelle vaarallisista olosuhteista.
-  Varoitus sähköjännitteestä.



Tässä tuotteessa on sähköisten ja elektronisten laitteiden jätteiden (WEEE) valikoivan lajittelun symbolimerkintä.

Tämä tarkoittaa, että tätä tuotetta pitää käsitellä Euroopan parlamentin ja neuvoston direktiivin 2002/96/EY:n mukaisesti, jotta sitä voidaan kierrättää ja purkaa minimoiden ympäristövaikutukset. Saat lisätietoja paikallisilta tai alueellisilta viranomaisilta.

Elektroniset laitteet, jotka eivät ole mukana valikoivassa lajittelussa ovat potentiaalisesti vaarallisia ympäristölle ja ihmisen terveydelle, koska ne sisältävät vaarallisia aineita.

SISÄLTÖ

1 Jääkaappi 3

2 Tärkeitä turvallisuusvaroituksia 4

Käyttötarkoitus	4
Laitteet, joissa on vesiautomaatti	6
Lasten turvallisuus	6
HCA-varoitus	6
Energian säästötoimet	7
Suositukset tuoreruokaosastolle	7

3 Asennus 8

Valmistelu	8
Jääkaapin kuljetuksessa huomioitavat asiat	8
Lampun vaihtaminen	8
Ennen jääkaapin käyttöä	9
Sähköliitännät	9
Pakkauksen hävittäminen	9
Vanhan jääkaapin hävittäminen	10
Sijoittaminen ja asennus	10
Lattiatasapainon säätö	10
Yläoven raon säätäminen	11

4 Jääkaapin käyttäminen 12

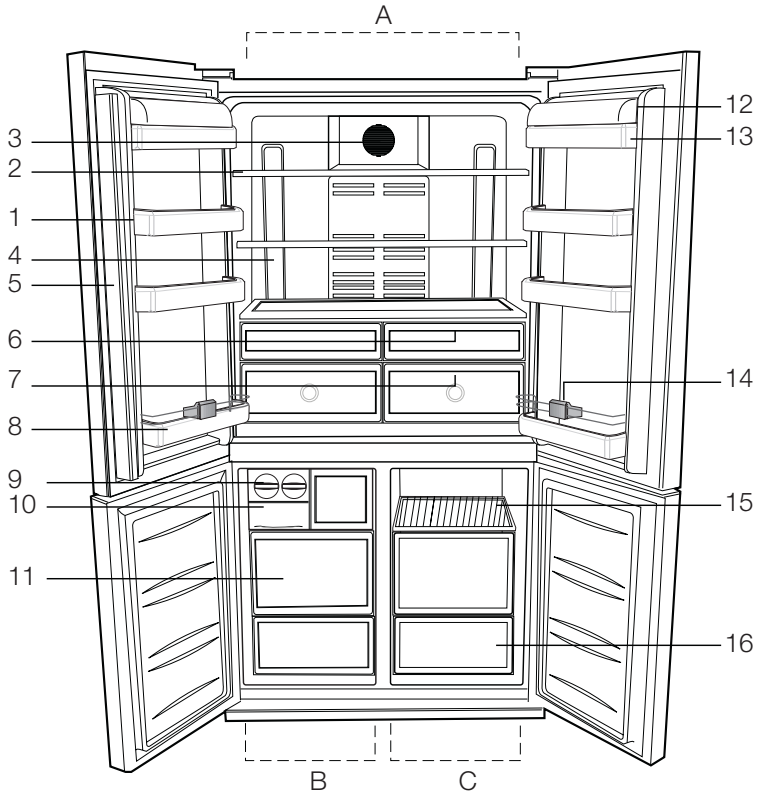
Näyttötaulu	12
Ovi auki -hälytys:	14
Liukuvat hyllyt	15
Kananmunalokero	15
Vihanneslokero	15
Jäähdytyslokero	15
Siirrettävä keskiosa	16
Monialuesäilytyslokero	16
Sininen valo	16

5 Ylläpito ja puhdistus 17

Muoviosien suojelu	17
--------------------------	----

6 Suositellut ongelmanratkaisut 18

1 Jääkaappi



- A- Jääkaappilokero
- B- Pakastelokero
- C- Monialue

- 1- Jääkaappilokeron ovihyllyt
- 2- Jääkaappilokeron säädettävät hyllyt
- 3- Hajauttajan kansi
- 4- Jääkaappivalo
- 5- Pyörivä keskiosa
- 6- Jäähdytyslokero
- 7- Vihanneslokero
- 8- Pullohylly
- 9- Jääpalakone
- 10- Jääpalaosasto
- 11- Pakasteiden säilytyslokerot
- 12- Voi- ja juustohyllyn kansi
- 13- Voi- ja juustohyllyt
- 14- Pullonpidin
- 15- Monialuelokeron hyllyt
- 16- Monialuelokero

ⓘ Tämän ohjekirjan kuvitus on mallikuviin perustuvaa eikä se ehkä vastaa täysin todellista tuotetta. Jos jokin osa puuttuu ostamastasi tuotteesta, kuvaus koskee muita malleja.

2 Tärkeitä turvallisuusvaroituksia

Tutustu seuraaviin ohjeisiin. Näiden ohjeiden noudattamatta jättäminen saattaa aiheuttaa loukkaantumisen tai aineellisia vahinkoja. Muuten kaikki takuu- ja käyttövarmuusvastuut mitätöityvät.

Ostamasi laitteen käyttöikä on 10 vuotta. Tämä on myös aika, jonka kuluessa laitteen toimintaan kuvatulla tavalla tarvittavia varaosia on saatavana.

Käyttötarkoitus

Tämä tuote on suunniteltu

- sisätiloihin ja suljettuihin tiloihin kuten koteihin,
- suljettuihin työskentely-ympäristöihin, kuten myymälöihin ja toimistoihin,
- suljettuihin majoitustiloihin kuten maataloille, hotelleihin ja pensionaatteihin.
- Tuotetta ei saa käyttää ulkona.

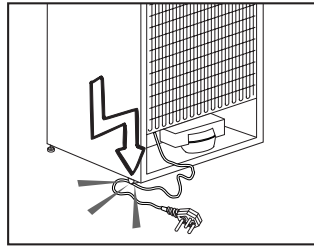
Yleinen turvallisuus

- Kun haluat hävittää/romuttaa laitteen, suosittelemme ottamaan yhteyttä valtuutettuun huoltoon vaadittavien tietojen ja valtuutettujen tahojen selville saamiseksi.
- Ota yhteys valtuutettuun huoltoon kaikissa jääkaappiin liittyvissä kysymyksissä ja ongelmassa. Älä puutu tai anna kenenkään muun puuttua jääkaapin huoltoon ilmoittamatta valtuutettuun huoltoon.
- Tuotteet joissa on pakastusosasto: Älä laita jäätelöä tai jääkuutioita suuhusi heti otettuasi ne pakastinosastosta! (Se voi aiheuttaa suuhun paleltuman.)

- Tuotteet joissa on pakastusosasto: Älä laita pulloitetuja tai tölkitettyjä nesteitä pakastinosastoon. Ne voivat pakastettaessa särkyä.
- Älä kosketa käsin pakastettua ruokaa, se voi tarttua käteesi.
- Irrota jääkaappi verkkovirrasta ennen puhdistamista tai sulattamista.
- Höyryä ja höyrystyviä puhdistusaineita ei saa koskaan käyttää jääkaapin puhdistuksessa ja sulatuksessa. Höyry voi tässä tapauksessa päästä kosketuksiin sähköosien kanssa ja aiheuttaa oikosulun tai sähköiskun.
- Älä koskaan käytä jääkaapin osia, kuten ovea, tukena tai askelmana.
- Älä käytä sähkölaitteita jääkaapin sisällä.
- Älä vahingoita poraamalla tai leikkaamalla osia, joissa jäähdytysaine kiertää. Jäähdytysainetta voi suihkuta ulos, kun haihduksen kaasukanava, johdon jatke tai pinnoite puhkaistaan, ja se voi aiheuttaa ihon ärsytystä ja silmävahinkoja.
- Älä peitä tai tuki millään materiaalilla jääkaapin tuuletusaukkoja.
- Vain valtuutetut henkilöt saavat korjata sähkölaitteita. Epäpätevän henkilön tekemät korjaukset voivat aiheuttaa vaaran käyttäjälle.
- Vian ilmetessä tai jääkaappia huollettaessa tai korjattaessa sammuta virta joko kääntämällä sulake pois päältä tai irrottamalla virtajohto.

- Älä vedä johdosta irrottaessasi pistokkeen.
- Säilytä väkevät alkoholijuomat tiukasti suljettuna pystyasennossa.
- Älä säilytä jääkaapissa suihkepuljoja, jotka sisältävät syttyviä ja räjähtäviä aineita.
- Älä käytä sulatusprosessin nopeuttamiseen mekaanisia tai muita keinoja, joita valmistaja ei suosittele.
- Tätä laitetta ei ole tarkoitettu sellaisten henkilöiden (lapset mukaan lukien) käytettäväksi, joilla on heikentyneet fyysiset, aistimelliset tai henkiset kyvyt tai joilta puuttuu kokemusta ja tietoa, jollei heidän turvallisuudestaan vastaava henkilö valvo heitä ja opasta heitä laitteen käytössä.
- Älä käytä rikkoutunutta jääkaappia. Jos epäilet vikaa, ota yhteys huoltoedustajaan.
- Jääkaapin sähköturvallisuus taataan vain, jos kodin maadoitusjärjestelmä on standardien mukainen.
- Laitteen altistaminen sateelle, lumelle, auringolle ja tuulelle on vaarallista sähköturvallisuuden kannalta.
- Ota yhteys valtuutettuun huoltoon, jos sähköjohto on vahingoittunut, jotta vältetään vaarat.
- Älä koskaan liitä jääkaappia pistorasiaan asennuksen aikana. Se voi aiheuttaa vaaran, joka voi johtaa kuolemaan tai vakavaan vammaan.
- Tämä jääkaappi on tarkoitettu pelkästään elintarvikkeiden säilytykseen. Sitä ei saa käyttää mihinkään muihin tarkoituksiin.
- Tekniset tiedot sisältävä tyyppikilpi sijaitsee jääkaapin sisällä vasemmalla seinällä.

- Älä liitä jääkaappia sähkönsäästöjärjestelmiin. Ne voivat vahingoittaa jääkaappia.
- Jos jääkaapissa palaa sininen valo, älä katso sitä optisilla laitteilla.
- Odota käsin ohjattavan jääkaapin kohdalla vähintään 5 minuuttia ennen jääkaapin käynnistämistä sähkökatkon jälkeen.
- Tämä käyttöopas tulee luovuttaa uudelle omistajalle tuotteen mukana, jos tuote vaihtaa omistajaa.
- Vältä vahingoittamasta virtajohtoa, kun siirät jääkaappia. Johdon taivuttaminen saattaa aiheuttaa tulipalon. Älä sijoita painavia esineitä sähköjohdon päälle. Älä kosketa pistoketta märin käsin, kun liität tuotteen.



- Älä kytke jääkaappia pistorasiaan, jos sähköliitäntä on löysä.
- Vettä ei saa turvallisuuden vuoksi koskaan suihkuttaa suoraan tuotteen sisä- tai ulko-osiin.
- Älä suihkuta lähellä jääkaappia syttyviä aineita, kuten propaanikaasua, sillä se aiheuttaa tulipalo- ja räjähdysvaaran.
- Älä aseta vettä sisältäviä astioita jääkaapin päälle, sillä sellainen voi aiheuttaa sähköiskun tai tulipalon.

- Älä täytä jääkaappia liian suurella elintarvikemäärällä. Jos jääkaappi on ylikuormitettu, se saattaa kaatua ja vahingoittaa sinua, ja rikkoo jääkaapin ovea avattaessa. Älä aseta esineitä jääkaapin päälle, sillä ne saattavat pudota jääkaapin ovea avatessa tai sulkiessa.
- Sellaisia tuotteita, jotka vaativat tarkan lämpötilan säädön (esim. rokotteet, lämpöherkät lääkkeet, tieteellinen materiaali jne.), ei tule säilyttää jääkaapissa.
- Jos jääkaappia ei käytetä pitkään aikaan, se on irrotettava verkkovirrasta. Mahdollinen ongelma sähköjohdossa saattaa aiheuttaa tulipalon.
- Sähköpistokkeen kärki on puhdistettava säännöllisesti. Se voi muuten aiheuttaa tulipalon.
- Sähkötulpan kärki on puhdistettava säännöllisesti kuivalla liinalla. Se voi muuten aiheuttaa tulipalon.
- Jääkaappi saattaa siirtyä, jos säädettäviä jalkoja ei ole kiinnitetty oikein lattiaan. Säädettävien jalkojen kiinnittäminen lattiaan oikein voi estää jääkaappia siirtymästä.
- Kun kannat jääkaappia, älä pidä kiinni oven ovenkahvasta. Se saattaa silloin särkyä.
- Kun laite täytyy sijoittaa toisen jääkaapin tai pakastimen viereen, laitteiden välisen etäisyyden tulee olla vähintään 8 cm. Muuten vastakkaiset seinät saattavat härmistyä.

Laitteet, joissa on vesiautomaatti

Vesijohdon paineen tulee olla vähintään 1 bar. Vesijohdon paineen tulee olla enintään 8 bar.

- Käytä vain juomavettä.

Lasten turvallisuus

- Jos ovesa on lukko, avain tulee pitää lasten ulottumattomissa.
- Lapsia tulee valvoa, jotta he eivät pääse leikkimään laitteella.

HCA-varoitus

Jos laite on varustettu jäähdytysjärjestelmällä, joka sisältää R600a- kylmäainetta:

Tämä kaasu on syttyvää. Varo siksi vahingoittamasta jäähdytysjärjestelmää ja putkistoa käytön ja kuljetuksen aikana. Pidä laite erossa mahdollisista tulenlähteistä, jotka saattavat sytyttää sen tuleen. Tuuleta huone, johon laite on sijoitettu.

Ohita tämä varoitus, jos laitteen kylmäjärjestelmä sisältää R134a- kylmäainetta.

Laitteessa käytetyn kaasun tyyppi on ilmoitettu jääkaapin sisäpuolella vasemmalla seinällä olevassa tyyppikilvessä.

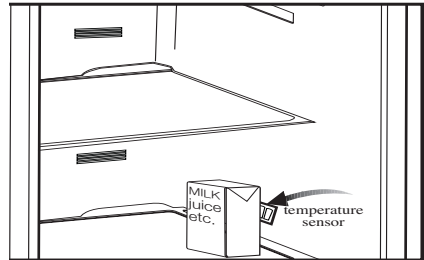
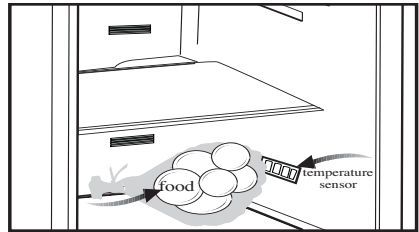
Älä hävitä laitetta polttamalla.

Energian säästötoimet

- Älä jätä jääkaapin ovea auki pitkäksi aikaa.
- Älä laita lämpimiä ruokia tai juomia jääkaappiin.
- Älä ylikuormita jääkaappia niin, että ilman kierto kaapin sisällä estyy.
- Älä asenna jääkaappia suoraan auringonpaisteeseen tai lähelle lämmönlähteitä, kuten uunit, astianpesukoneet tai lämpöpatterit.
- Pidä huoli, että säilytät elintarvikkeita suljetuissa astioissa.
- Tuotteet joissa on pakastusosasto: voit säilyttää pakastimessa mahdollisimman paljon elintarvikkeita, kun irrotat pakastimen hyllyn tai lokeron. Jääkaapissa ilmoitetut energiankulutusarvot on määritetty maksimitäytöllä irrottamalla jääkaapin hylly tai lokero. Vaaraa ei ole käytettäessä hyllyä tai vetolaatikkoa pakastettavien elintarvikkeiden mukaan.
- Pakastetun ruoan sulattaminen jääkaappiosastossa säästää sekä energiaa että säilyttää ruoan laadun.

Suosituks tuoreruokaosastolle * VALINNAINEN

- Älä anna elintarvikkeiden joutua kosketuksiin tuoreruokaosaston lämpötila-anturin kanssa. Jotta tuoreruokaosaston lämpötila pysyy säilytykselle sopivana, anturia ei saa tukkia elintarvikkeilla.
- Älä laita kuumaa ruokaa laitteeseen.



3 Asennus

⚠ Muista, että valmistaja ei ole vastuussa, jos käyttöoppaassa annettuja tietoja ei noudateta.

Valmistelu

- Jääkaappi on asennettava vähintään 30 cm:n etäisyydelle lämmönlähteistä, kuten keittotasoa, liesiä, keskuslämmittimiä ja uuniä sekä vähintään 5 cm:n etäisyydelle sähköliedestä, eikä sitä saa sijoittaa suoraan auringonpaisteeseen.
- Jääkaapin sijoitushuoneen lämpötilan on oltava vähintään 10 °C. Jääkaapin käyttöä kylmemmissä olosuhteissa ei suositella, sillä sen tehokkuus kärsii.
- Varmista, että jääkaapin sisäpinta on puhdistettu huolellisesti.
- Jos kaksi jääkaappia asennetaan rinnakkain, niiden väliin on jätettävä tilaa vähintään 2 cm.
- Kun käytät jääkaappia ensimmäistä kertaa, huomioi seuraavat ohjeet ensimmäisten kuuden tunnin aikana.
 - Ovea ei saa avata jatkuvasti.
 - Jääkaappia on käytettävä tyhjänä ilman elintarvikkeita.
 - Älä irrota jääkaappia verkkovirrasta. Jos ilmenee itsestäsi riippumaton virtakatkos, katso varoitukset osassa "Suositellut ongelmanratkaisut".
- Alkuperäiset pakkaus- ja vaahtomuovimateriaalit kannattaa säilyttää tulevaa kuljetusta tai siirtoa varten.

Jääkaapin kuljetuksessa huomioitavat asiat

1. Jääkaappi on aina tyhjennettävä ja puhdistettava ennen kuljetusta.
2. Jääkaapin hyllyt, lisävarusteet, vihanneslokerot jne., on kiinnitettävä paikoilleen kunnolla teipillä niiden suojaamiseksi tärinältä ennen uudelleenpakkausta.
3. Pakkaus on sidottava vahvoilla teipeillä ja naruilla ja pakkaukseen painettuja kuljetusohjeita on noudatettava.

Älä unohda...

Kaikki kierrätetyt materiaalit ovat korvaamaton lähde luonnolle ja kansallisille resursseille.

Jos haluat osallistua pakkausmateriaalien kierrätykseen, saat lisätietoja ympäristöosastoilta tai paikallisilta viranomaisilta.

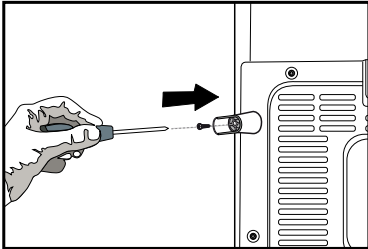
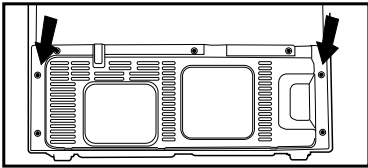
Lampun vaihtaminen

Ota yhteyttä valtuutettuun huoltoon, kun jääkaapin lamppu on vaihdettava.

Ennen jääkaapin käyttöä

Tarkista seuraava ennen kuin alat käyttää jääkaappia:

1. Ovatko jääkaapin sisäpinnat kuivia ja kiertääkö ilma vapaasti jääkaapin takana?
2. Aseta kaksi muovikiilaa takaosan tuuletusaukkoon kuten seuraavassa kuvassa on näytetty. Ruuvaa auki nykyiset ja käytä kiilojen kanssa samassa pussissa olevia ruuveja. Muovikiilat varmistavat vaadittavan etäisyyden jääkaapin ja seinän välillä ilman kierron takaamiseksi.



3. Puhdista jääkaapin sisäpinnat, kuten on suositeltu osassa "Yläpito ja puhdistus".
4. Liitä jääkaapin virtajohto seinäpistorasiaan. Kun ovi avataan, kyseisen osaston sisävalo syttyy.
5. Kuulet ääntä, kun kompressorin käynnistyy. Jäähdytysjärjestelmään suljetut nesteet ja kaasut voivat myös aiheuttaa jonkin verran ääntä silloinkin, kun kompressorin ei ole käynnissä. Se on aivan normaalia.
6. Jääkaapin etureunat voivat tuntua lämpimiltä. Tämä on normaalia. Näiden alueiden on suunniteltu olevan lämpimiä kondensaation estämiseksi.

Sähköliitännät

Liitä jääkaappi maadoitettuun pistorasiaan, joka on suojattu riittävän tehokkaalla sulakkeella.

Tärkeää:

- Liitännän on oltava kansallisten säädösten mukainen.
 - Virtakaapelin pistokkeen on oltava helposti saatavilla asennuksen jälkeen.
 - Jännite ja sallittu sulakesuojauksen määritys osassa "Tekniset tiedot".
 - Määritetyn jännitteen on oltava sama kuin sähköverkolla.
 - Liitäntään ei saa käyttää jatko-kaapeleita tai haaroitusrasioita.
- ⚠ Vahingoittunut virtakaapeli on jätettävä pätevä sähkötekniikan vaihdettavaksi.
- ⚠ Tuotetta ei saa käyttää ennen kuin on korjattu! Se aiheuttaa sähköiskun vaaran!

Pakkauksen hävittäminen

Pakkausmateriaali voi olla lapsille vaarallista. Pidä pakkausmateriaali lasten ulottumattomissa tai hävitä se lajittelemalla jätteidenhävitysohjeiden mukaisesti. Älä hävitä pakkausmateriaalia kotitalousjätteen mukana.

Jääkaapin pakkaus on valmistettu kierrätettävistä materiaaleista.

Vanhan jääkaapin hävittäminen

Hävitä vanha jääkaappi aiheuttamatta vahinkoa ympäristölle.

- Voit ottaa yhteyden valtuutettuun jälleenmyyjään tai kunnalliseen jätehuoltokeskukseen saadaksesi ohjeet jääkaapin hävittämisestä.

Ennen kuin hävität jääkaapin, leikkaa virtapistoke irti, ja jos ovesa on lukitus, tee siitä toimintakyvytön, jottei siitä koidu vaaraa lapsille.

Sijoittaminen ja asennus

Varoitus: Älä koskaan liitä jääkaappia pistorasiaan asennuksen aikana. Se voi aiheuttaa vaaran, joka voi johtaa kuolemaan tai vakavaan vammaan.

Jos oviaukko jääkaapin asennushuoneeseen ei ole tarpeeksi leveä, soita valtuutettuun huoltoon ja pyydä heitä irrottamaan jääkaapin ovet, jolloin se saattaa mahtua ovesta sivuttain.

1. Asenna jääkaappi paikkaan, jossa sitä on helppo käyttää.
2. Pidä jääkaappi etäällä lämmönlähteistä, kosteista paikoista ja suoralta auringonpaisteelta.
3. Jääkaapin ympärillä on oltavaa tilaa kunnolliselle tuuletukselle, jotta se toimisi tehokkaasti.

Jos jääkaappi asetetaan seinän syvennykseen, väliä kattoon ja seiniin on jätävä vähintään 5 cm.

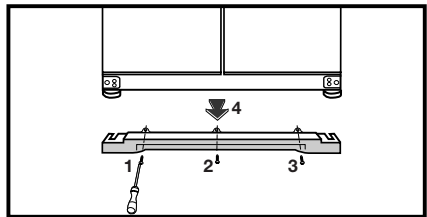
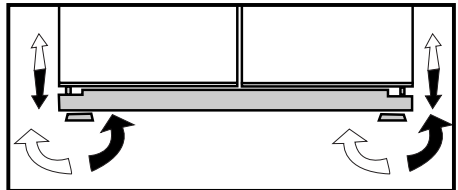
Jos lattia on päällystetty matolla, jääkaapin on oltava koholla lattiasta vähintään 2,5 cm.

4. Aseta jääkaappi tasaisella lattiapinnalle tärinän ehkäisemiseksi.

5. Älä säilytä jääkaappia tilassa, jonka lämpötila on alle 10 °C.

Lattiatasapainon säätö

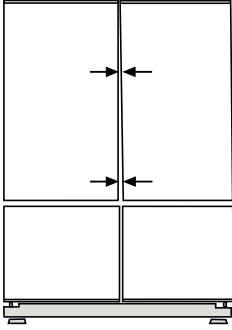
Jos jääkaappi on epätasapainossa 1- Tuuletuskansi irrotetaan avaamalla sen ruuvit ennen toimenpidettä, kuten alla olevassa kuvassa. Voit tasapainottaa jääkaapin kiertämällä etujalkoja, kuten kuvassa. Kulma, jossa jalka sijaitsee, laskeutuu, kun jalkaa kierretään mustan nuolen suuntaisesti ja nousee, kun sitä kierretään vastakkaiseen suuntaan. Toimenpidettä helpottaa, jos joku toinen auttaa nostamalla hieman jääkaappia.



2. Kun tasapaino-ongelma on korjattu, asenna tuuletuskansi takaisin paikoilleen ja kiinnitä ruuvit.

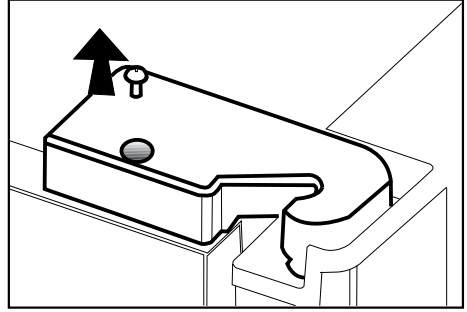
3. Irrota alatuuletuskantta kiinnittävät ruuvit ristipääruuvitaltalla.

Yläoven raon säätäminen



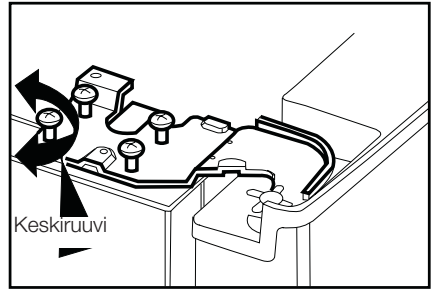
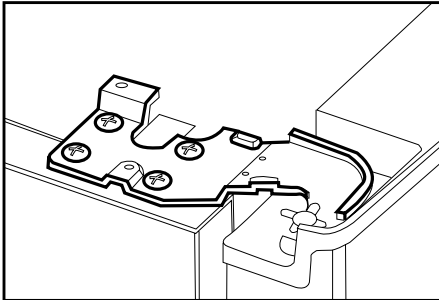
• Voit säätää rakoa jääkaapin osastojen ovien välillä, kuten kuvissa on näytetty.

Oven hyllyjen tulee olla tyhjiä oven korkeutta säädettäessä.

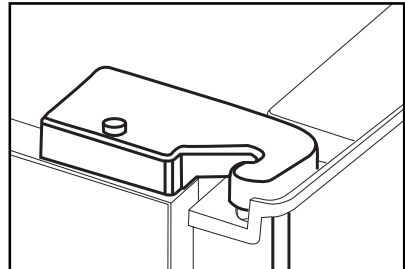
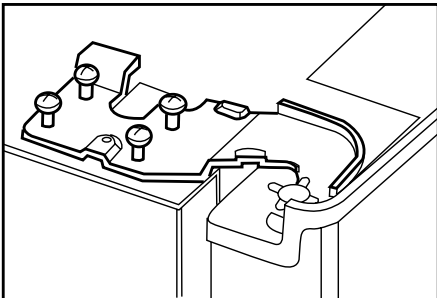


• Irrota säädettävän oven yläsaranan suojuksen ruuvi ruuvitaltalla.

• Säädä ovi haluttuun tasoon löysäämällä ruuveja.



• Kiinnitä säädetty ovi kiristämällä ruuvit oven asentoa muuttamatta.

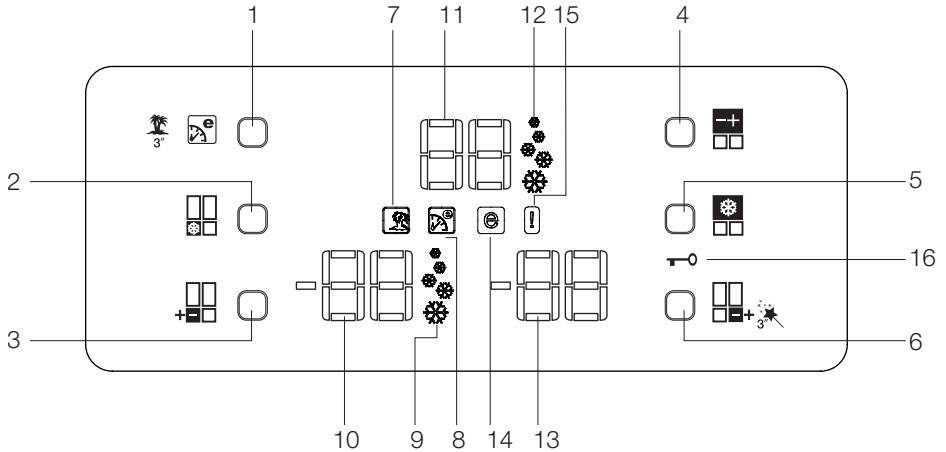


• Aseta saranan suojus takaisin ja kiinnitä ruuvilla

4 Jääkaapin käyttäminen

Näyttötäulu

Tällä kosketusohjatulla merkkivalopaneelilla voit asettaa lämpötilan avaamatta jääkaapin ovea. Aseta vain lämpötila koskettamalla vastaavaa painiketta sormella.



- | | |
|--|--|
| 1. Ekoekstra/Lomapainike | 9. Pikapakastustoiminnon ilmainen |
| 2. Pikapakastuspainike | 10. Pakastinosaston lämpötilan ilmainen |
| 3. Pakastinosasto – lämpötilan asetuspainike | 11. Jääkaappiosaston lämpötilan ilmainen |
| 4. Jääkaappiosasto – lämpötilan asetuspainike | 12. Pikajäähdystoiminnon ilmainen |
| 5. Pikajäähdytyspainike | 13. Monialuesäilytysosasto – lämpötilan ilmainen |
| 6. Monialuesäilytysosasto – lämpötilan asetuspainike | 14. Virransäästötilan ilmainen |
| 7. Lomatoiminnon ilmainen | 15. Vikatilan ilmainen |
| 8. Ekoekstra-ilmainen | 16. Lukituksen ilmainen |

i Tämän ohjekirjan kuvitus on mallikuviin perustuvaa eikä se ehkä vastaa täysin todellista tuotetta. Jos jokin osa puuttuu ostamastasi tuotteesta, kuvaus koskee muita malleja.

1. Ekoekstra/Lomapainike

Näpätä painiketta aktivoiaksesi Eko-ekstratoiminnon. Pidä painiketta painettuna 3 sekuntia aktivoiaksesi lomatoiminnon. Aseta toiminto pois päältä painamalla painiketta uudelleen.

2. Pikapakastuspainike

Näpätä painiketta aktivoiaksesi pikapakastustoiminnon. Aseta toiminto pois päältä painamalla painiketta uudelleen.

3. Pakastinosaston lämpötilan asetuspainike

Paina tätä painiketta asettaaksesi pakastimen lämpötilaksi joko -18, -20, -22, -24, -18 astetta. Aseta pakasteosaston lämpötila halutuksi painamalla tätä painiketta.

4. Jääkaappiosaston lämpötilan asetuspainike

Paina tätä painiketta asettaaksesi jääkaapin lämpötilaksi joko 8, 6, 4, 2, 8 ... astetta. Aseta jääkaappiosaston lämpötila halutuksi painamalla tätä painiketta.

5. Pikajäähdytuspainike

Näpätä painiketta aktivoiaksesi pikajäähdytystoiminnon. Aseta toiminto pois päältä painamalla painiketta uudelleen.

6. Monialuesäilytysosasto – lämpötilan asetuspainike

Voit asettaa monialuesäilytysosaston joko pakastimeksi tai jäähdyttimeksi. Pidä tätä painiketta painettuna 3 sekuntia asettaaksesi monialuesäilytysosaston joko pakastimeksi tai jäähdyttimeksi.

Tämä osasto on asetettu tehtaalla pakastinosastoksi.

Jos monialuesäilytyslokero on asetettu pakastimeksi, monialuesäilytyslokeron lämpötila muuttuu järjestyksessä -18, -20, -22, -24, -18... joka kerta, kun painat tätä painiketta. Jos monialuesäilytyslokero on asetettu jäähdyttimeksi, monialuesäilytyslokeron lämpötila muuttuu järjestyksessä 10, 8, 6, 4, 2, 0, -6... joka kerta, kun painat tätä painiketta.

7. Lomatoiminnon ilmaisin

Osoittaa, että lomatoiminto on aktiivinen. Jos tämä toiminto on aktiivinen, jääkaappiosaston ilmaisimessa näkyy i- -i, eikä jääkaappiosaston jäähdytystä suoriteta. Muut osastot jäähdytetään niille asetetun lämpötilan mukaisesti.

Aseta toiminto pois päältä painamalla vastaavaa painiketta uudelleen.

8. Ekoekstra-ilmaisin

Osoittaa, että eko-ekstratoiminto on aktiivinen. Jos toiminto on aktiivinen, jääkaappi havaitsee automaattisesti vähiten käytetyt jaksot ja energiatehokas jäähdytys suoritetaan niinä aikoina. Virransäästötilan ilmaisin on aktiivinen, kun energiatehokas jäähdytys suoritetaan.

Aseta toiminto pois päältä painamalla vastaavaa painiketta uudelleen.

9. Pikapakastustoiminnon ilmaisin

Osoittaa, että pikapakastustoiminto on aktiivinen. Käytä toimintoa, kun asetat tuoreruokaa pakastinosastoon tai kun haluat jäitä. Toiminnon ollessa aktiivinen jääkaappi on käynnissä 6 tuntia pysähtymättä.

Aseta toiminto pois päältä painamalla vastaavaa painiketta uudelleen.

10. Pakastinosaston lämpötilan ilmainen

Osoittaa pakastinosastolle asetetun lämpötilan.

11. Jääkaappiosaston lämpötilan ilmainen

Osoittaa jääkaappiosastolle asetetun lämpötilan.

12. Pikajäähdytystoiminnon ilmainen

Osoittaa, että pikajäähdytystoiminto on aktiivinen. Käytä toimintoa, kun asetat tuoreruokaa jääkaappiosastoon tai kun haluat jäähdyttää ruoan nopeasti. Toiminnon ollessa aktiivinen jääkaappi on käynnissä 2 tuntia pysähtymättä. Aseta toiminto pois päältä painamalla vastaavaa painiketta uudelleen.

13. Monialuesäilytysosasto – lämpötilan ilmainen

Osoittaa monialueosastolle asetetun lämpötilan.

14. Virransäästötilan ilmainen

Ilmaisee, että jääkaappi on käynnissä virransäästötilassa. Pakastinosaston lämpötila

Tämä ilmainen on aktiivinen, jos toiminnoksi on asetettu -18 tai jos energiaa säästävä jäähdytys suoritetaan eko-ekstratoiminnon vuoksi.

15. Vikatilan ilmainen

Jos jääkaappi ei jäähdy riittävästi tai jos ilmenee anturivika, tämä ilmainen aktivoituu. Kun ilmainen on aktiivinen, pakastinosaston lämpötilan ilmaisimessa näkyy "E" ja jääkaappiosaston lämpötilan ilmaisimessa näkyy numeroita kuten "1,2,3...". Nämä numerot antavat tietoja viasta huoltohenkilökunnalle.

16. Lukituksen ilmainen

Käytä tätä toimintoa, jos et halua muuttaa jääkaapin lämpötila-asetusta. Aktivoi toiminto painamalla samanaikaisesti pikajäähdytyspainiketta ja monialuesäilytyslokeron lämpötilan asetuspainiketta 3 sekuntia.

Aseta toiminto pois päältä painamalla vastaavia painikkeita uudelleen.

Ovi auki -hälytys:

Kun **monialuesäilytyslokeron** ovi jää auki 1 minuutiksi, ovi auki -hälytysäänä aktivoituu ja kuuluu. Hiljennä hälytys painamalla mitä tahansa ilmaisimen painiketta tai sulkemalla ovi.

Kananmunalokero

Voit asentaa munakotelon haluttuun oven tai rungon hyllyyn.

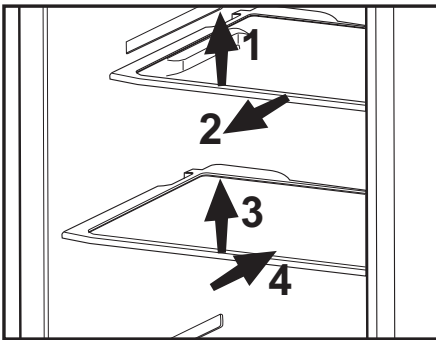
Älä koskaan säilytä munakoteloä pakastinosastossa.

Liukuvat hyllyt

Liukuvia hyllyjä voidaan vetää nostamalla niitä hieman reunasta ja siirtää niitä eteen- ja taaksepäin. Ne voidaan vetää pysäytyspisteeseen, jolloin pääset käsiksi hyllyn takaosaan sijoitettuihin ruokiin. Kun hylly on vedetty kevyesti nostamalla toiseen pysäytyspisteeseen, hylly voidaan vapauttaa.

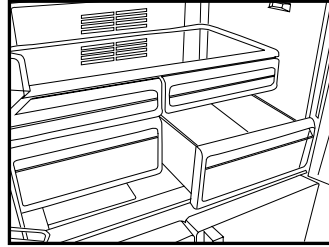
Hyllyä on kannateltava myös alapuolelta, jotta se ei kallistu nurin. Hylly siirretään jääkaapin runkoon asennetuille kiskoille nostamalla tai laskemalla sitä tason verran.

Hylly tulee työntää taakse kunnolla paikoilleen.



Vihanneslokero

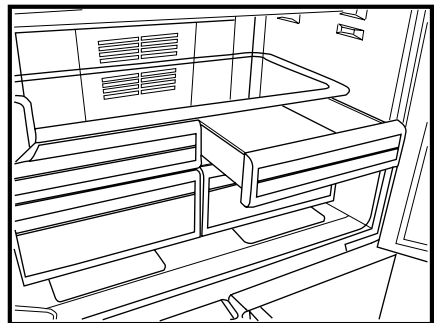
Jääkaapin vihanneslokero on suunniteltu erityisesti pitämään kasvikset tuoreina ja säilyttämään kosteutensa. Tämän vuoksi vihanneslokerossa kiertää kylmää ilmaa.



Jäähdytyslokero

Pakastettava ruoka jäähtyy jäähdytyslokeroissa valmiiksi pakastusta varten. Voit käyttää näitä osastoja myös ruuan säilyttämiseen jääkaappia muutamaa astetta viileämmässä lämpötilassa.

Voit lisätä jääkaapin sisätilavuutta irrottamalla minkä tahansa jäähdytyslokeroista. Tee niin vetämällä lokeroa itseäsi kohti. Lokero liukuu vasten pysäytintä ja pysähtyy. Irrota lokero nostamalla sitä noin 1 cm ja vetämällä itseäsi kohti.



Siirrettävä keskiosa

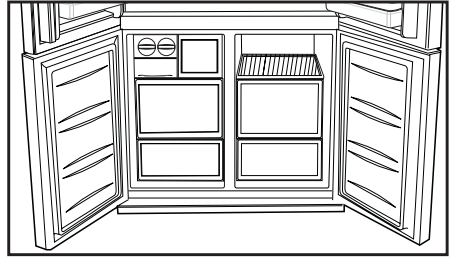
Siirrettävä keskiosa on tarkoitettu estämään jääkaapin sisällä olevan kylmän ilman karkaamista ulos.

- 1- Tiiviys on varmistettu, kun oven tiivisteet painautuvat siirrettävän keskiosan pinnalle, kun jääkaappiosaston ovet on suljettu.
- 2- Jääkaapin siirrettävän keskiosan toinen tarkoitus on lisätä jääkaappiosaston nettotilavuutta. Normaalit keskiosat vievät jonkin verran jääkaapin käyttökelpotonta tilavuutta.
- 3- Siirrettävä keskiosa on suljettu, kun jääkaappiosaston vasen ovi on suljettu.
- 4- Se on avattava käsin. Se siirtyy rungon muovisen osan ohjaimen alle, kun ovi on suljettu.

Monialuesäilytyslokero

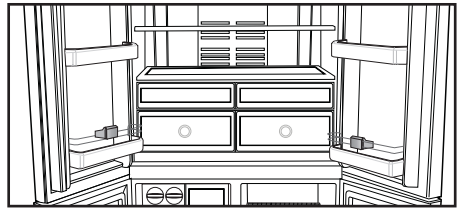
Jääkaapin monialuesäilytyslokeroa voi käyttää missä tahansa halutussa tilassa säätämällä se jääkaappilämpötilaksi (2/4/6/8 °C) tai pakastinlämpötilaksi (-18/-20/-22/-24). Voit pitää lokeroa halutussa lämpötilassa monialuesäilytyslokeroon lämpötilan asetuspainikkeella. Monialuesäilytyslokeroon lämpötilan voi asettaa välille 0–10 °C astetta jääkaappilämpötilan lisäksi -6 °C pakastinosaston lämpötilan lisäksi. 0-astetta käytetään einestuotteiden säilyttämiseksi pitempään -6-astetta käytetään lihan säilyttämiseksi 2 viikkoa helposti leikattavassa tilassa.

i Jääkaappi- tai pakastinlokeroon vaihtamismekanismin toimii jäähdytys-elementillä, joka sijaitsee suljetussa osastossa jääkaapin takana (kompressoriosasto). Tämän elementin käytön aikana voi kuulua joitakin sekunteja samanlainen ääni kuin analogisesta kellosta. Tämä on normaalia eikä ole vika.



Sininen valo

Sinisellä valolla valaistut vihanneslokeroon vihannekset jatkavat fotosynteesiä sinisen valon aallonpituuden vaikutuksesta ja säilyttävät siten tuoreutensa ja lisäävät vitamiinipitoisuuttaan.



5 Ylläpito ja puhdistus

- ⚠ Älä koskaan käytä puhdistamiseen bensiiniä, bentseeniä tai vastaavia aineita.
- ⚠ Suosittelemme, että irrotat laitteen verkkovirrasta ennen puhdistusta.
- ⚠ Älä koskaan käytä puhdistamiseen teräviä, hankaavia välineitä, saippuaa, puhdistusainetta, pesuainetta ja vahaa.
- ℹ Käytä jääkaapin sisätilojen puhdistukseen haaleaa vettä ja pyyhi kuivaksi.
- ℹ Käytä sisätilojen puhdistukseen liinaa, joka on kostutettu 1 tl ruokasoodaa ja 1/2 litraa vettä sisältävässä liuoksessa ja puristettu kuivaksi, kuivaa lopuksi.
- ⚠ Varmista, ettei vettä pääse lamppukoteloon ja muihin sähköosiin.
- ⚠ Jos jääkaappia ei käytetä pitkään aikaan, irrota virtajohto pistorasiasta, poista kaikki ruoat, puhdista jääkaappi ja jätä ovi raolleen.
- ℹ Tarkista oven eristeet säännöllisesti varmistaaksesi, että ne ovat puhtaita ja vapaita ruoantähteistä.
- ⚠ Ovitelineiden irrottamiseksi poista niistä kaikki sisältö ja työnnä sitten ovitelinettä pohjasta ylöspäin.

Muoviosien suojele

- ℹ Älä laita nestemäistä öljyä tai öljyssä keitetyjä elintarvikkeita jääkaappiin avoimissa astioissa, sillä ne vahingoittavat jääkaapin muovipintoja. Jos öljyä vuotaa tai tarttuu muovipinnoille, puhdista ja huuhtele kohta heti lämpimällä vedellä.

6 Suositellut ongelmanratkaisut

Tarkista tämä luettelo, ennen kuin soitat huoltoon. Se voi säästää aikaa ja rahaa. Tämä luettelo sisältää useita valituksia, jotka eivät johdu virheellisestä työstä tai käytetystä materiaalista. Joitain tässä kuvatuista ominaisuuksista ei ehkä ole laitteessasi.

Jääkaappi ei toimi.

- Onko jääkaapin virtajohto kunnolla kiinni pistorasiassa? Aseta pistoke seinäpistorasiaan.
- Onko jääkaapin pistorasian sulake tai pääsulake palanut? Tarkista sulake.

Kondensaatiota jääkaappiosaston sivuseinässä (MONIALUE, JÄÄHDYTYKSEN OHJAUS ja JOUSTAVA ALUE).

- Hyvin kylmä ympäristö. Oven jatkuva avaaminen ja sulkeminen. Hyvin kostea ympäristö. Nestepitoisten ruokien säilytys avoimessa astiassa. Oven jättäminen raolleen. Termostaatin kytkeminen kylmemmälle.
- Oven avoinna oloajan lyhentäminen tai käyttämällä sitä harvemmin.
- Avoimissa astioissa säilytettyjen ruokien peittäminen sopivalla materiaalilla.
- Pyyhi kondensoitunut vesi kuivalla liinalla ja tarkista tuleeko sitä lisää.

Kompressorin ei käy

- Kompressorin lämpövastus työntyy ulos äkillisen virtakatkoksen sattuessa tai kun virta sammuu ja syttyy uudelleen, kun jääkaapin jäähdytysjärjestelmän jäähdytysaineenpaine ei ole vielä tasapainossa. Jääkaappi käynnistyy noin 6 minuutin kuluttua. Soita huoltoon, jos jääkaappi ei käynnisty tässä ajassa.
- Jääkaapin sulatusjakso on käynnissä. Tämä on normaalia täysautomaattisesti itsesulattavassa jääkaapissa. Sulatuskierto tapahtuu tietyin väliajoin.
- Jääkaappia ei ole kytketty pistorasiaan. Varmista, että pistoke on asetettu kunnolla pistorasiaan.
- Onko lämpötila-asetukset tehty oikein?
- Kyse voi olla virtakatkoksesta.

Jääkaappi käy alituisen tai pitkän ajan.

- Uusi tuotteesi voi olla leveämpi kuin edellinen. Tämä on aivan normaalia. Suuret jääkaapit käyvät kauemmin.
- Huonelämpötila voi olla liian korkea. Tämä on aivan normaalia.
- Jääkaappi on voitu kytkeä päälle äskettäin tai siihen on säilötty äskettäin ruokaa. Jääkaapin jäähtyminen oikeaan lämpötilaan voi kestää muutampia tunteja kauemmin.
- Suuri määrä ruokaa on voitu säilöä jääkaappiin äskettäin. Lämmin ruoka aiheuttaa jääkaapin käymisen pitempään, kunnes se saavuttaa turvallisen säilytyslämpötilan.
- Ovet on voitu avata äskettäin tai jätetty raolleen pitkäksi aikaa. Jääkaappiin päässyt lämmin ilma aiheuttaa jääkaapin käymisen pitemmän aikaa. Avaa ovia harvemmin.
- Pakastin- tai jääkaappiosaston ovi on voitu jättää raolleen. Tarkista onko ovet suljettu tiukasti.
- Jääkaappi on säädetty hyvin alhaiselle lämpötilalle. Säädä jääkaapin lämpötila lämpimämmäksi ja odota, kunnes haluttu lämpötila on saavutettu.
- Jääkaapin tai pakastimen oven tiiviste voi olla likainen, kulunut, rikkoutunut tai huonosti paikallaan. Puhdista tai vaihda tiiviste. Vahingoittunut, rikkoutunut tiiviste aiheuttaa jääkaapin käymisen pitempiä aikoja nykyisen lämpötilan ylläpitämiseksi.

Pakastimen lämpötila on hyvin alhainen, kun jääkaapin lämpötila on sopiva.

- Pakastin on säädetty hyvin alhaiselle lämpötilalle. Säädä pakastimen lämpötila lämpimämmäksi ja tarkista.

Jääkaapin lämpötila on hyvin alhainen, kun pakastimen lämpötila on sopiva.

- Jääkaappi on voitu säätää hyvin alhaiselle lämpötilalle. Säädä jääkaapin lämpötila lämpimämmäksi ja tarkista.

Jääkaappiosaston vetolaatikoissa säilytetty ruoka jäätyy.

- Jääkaappi on voitu säätää hyvin alhaiselle lämpötilalle. Säädä jääkaapin lämpötila lämpimämmäksi ja tarkista.

Jääkaapin tai pakastimen lämpötila on hyvin korkea.

- Jääkaapin lämpötila on voitu säätää hyvin korkealle lämpötilalle. Jääkaapin säädöt vaikuttavat pakastimen lämpötilaan. Muuta jääkaapin tai pakastimen lämpötilaa, kunnes jääkaappi tai pakastin saavuttaa riittävän tason.
- Ovet on voitu avata äskettäin tai jätetty raolleen pitkäksi aikaa. Avaa niitä harvemmin.
- Ovi on voitu jättää raolleen. Sulje ovi kokonaan.
- Suuri määrä lämmintä ruokaa on voitu säilöä jääkaappiin äskettäin. Odota, kunnes jääkaappi tai pakastin saavuttaa halutun lämpötilan.
- Jääkaapin virtajohto on voitu liittää pistorasiaan äskettäin. Jääkaapin kokonaan jäähtyminen kestää oman aikansa.

Käyntiääni voimistuu, kun jääkaappi käy.
<ul style="list-style-type: none"> Jääkaapin käyttöteho saattaa muuttua ympäristön lämpötilan muutosten mukaan. Se on normaalia eikä ole vika.
Tärinä tai käyntiääni.
<ul style="list-style-type: none"> Lattia ei ole tasainen tai se on heikko. Jääkaappi huojuu, kun sitä siirretään hitaasti. Varmista, että lattia kestää jääkaapin painon ja että se on tasainen. Melu saattaa johtua jääkaappiin laitetuista kohteista. Jääkaapin päällä olevat esineet on poistettava.
Jääkaapista kuuluu nesteen vuotamisen tai suihkuamisen kaltaisia ääniä.
<ul style="list-style-type: none"> Neste- ja kaasuvuotoja ilmenee jääkaapin käyttöperiaatteiden mukaisesti. Se on normaalia eikä ole vika.
Kuuluu tuulen huminan kaltaista ääntä.
<ul style="list-style-type: none"> Jääkaapin jäähdyttämiseen käytetään tuulettimia. Se on normaalia eikä ole vika.
Kondensaatio jääkaapin sisäseinissä.
<ul style="list-style-type: none"> Kuuma ja kostea sää lisää jäätymistä ja kondensaatiota. Se on normaalia eikä ole vika. Ovet on voitu jättää raolleen. Varmista, että ovet on suljettu kokonaan. Ovet on voitu avata äskettäin tai jätetty raolleen pitkäksi aikaa. Avaa niitä harvemmin.
Kosteutta esiintyy jääkaapin ulkopinnoilla tai ovien välissä.
<ul style="list-style-type: none"> Ilma saattaa olla kosteaa. Tämä on normaalia kostealla säällä. Kun kosteutta on vähemmän, kondensaatio häviää.
Paha haju jääkaapin sisällä.
<ul style="list-style-type: none"> Jääkaapin sisäpuoli on puhdistettava. Puhdista jääkaapin sisäpuoli sienellä, haalealla vedellä tai hiilihapollisella vedellä. Jotkut astiat tai pakkausmateriaalit voivat olla hajun aiheuttajia. Käytä erilaista säilytysastiaa tai erimerkkistä pakkausmateriaalia.
Ovi ei sulkeudu.
<ul style="list-style-type: none"> Elintarvikepakkaukset voivat estää oven sulkeutumisen. Poista pakkaukset, jotka ovat oven esteenä. Jääkaappi ei ole täysin suorassa lattialla ja se keinuu vähän liikuttaessa. Säädä nostoruuveja. Lattia ei ole tasainen tai kestävä. Varmista, että lattia on tasainen, ja että se kestää jääkaapin painon.
Lokerot ovat juuttuneet.
<ul style="list-style-type: none"> Elintarvikkeet voivat olla kosketuksissa lokeron katon kanssa. Järjestä ruoat uudelleen vetolaatikossa.

Моля първо да прочетете това ръководство!

Уважаеми клиенти,

Надяваме се, че вашият продукт, произведен в първокласни фабрики и проверен при най-стриктни процедури за контрол на качеството, ще ви осигури дълги години на успешна работа.




За целта, ви съветваме да прочетете внимателно цялото ръководство за употреба на продукта преди да го ползвате и да го държите под ръка за справки в бъдеще.

Това ръководство

- Ще ви помогне да използвате уреда по-най-бърз и безопасен начин.
 - Прочетете ръководството преди монтаж и работа с продукта.
 - Следвайте всички инструкции, особено тези за безопасност.
 - Дръжте ръководството на лесно достъпно място, тъй като може да се нуждаете от него.
 - Освен това, прочетете и другите листовки, доставени с продукта.
- Обърнете внимание, че това ръководство може да важи и за други модели уреди.

Символи и техните описания

Това ръководство за употреба съдържа следните символи:

-  Важна информация или полезни съвети за употреба.
-  Предупреждения при опасност за живота или имуществото.
-  Предупреждения за електрическата мощност.



Този продукт носи символ за селективно сортиране за Изхвърляне на електрическо и електронно оборудване (WEEE).

Това означава, че този продукт трябва да се изхвърли в съответствие с Европейската Директива 2002/96/ЕС, за да се рециклира или бъде разглобен с цел намаляване на влиянието върху околната среда. За допълнителна информация се обърнете към местните и регионални власти.

Електронните продукти, които не бъдат включени в процеса на селективно сортиране, са потенциално опасни за околната среда и човешкото здраве поради съдържанието на рискови вещества.

СЪДЪРЖАНИЕ

1 Вашият хладилник 3

2 Важни предупреждения относно безопасността 4

Употреба на уреда	4
За продукт с воден разпределител;	6
Защита от деца	6
НСА предупреждение	6
Неща, които да направите с цел пестене на енергия	7
Препоръки за отделението за съхранение на пресни храни	7

3 Монтаж 8

Подготовка	8
На какво да обърнете внимание при повторно транспортиране на хладилника	8
Подмяна на осветителната лампичка ..	8
Преди да започнете работа с хладилника	9
Електрическо свързване	9
Изхвърляне на опаковъчните материали	9
Изхвърляне на стария ви хладилник....	9
Поставяне ни монтиране.....	10
Нивелиране върху пода	10
Регулиране на разликата между горната врата	11

4 Употреба на хладилника ви 12

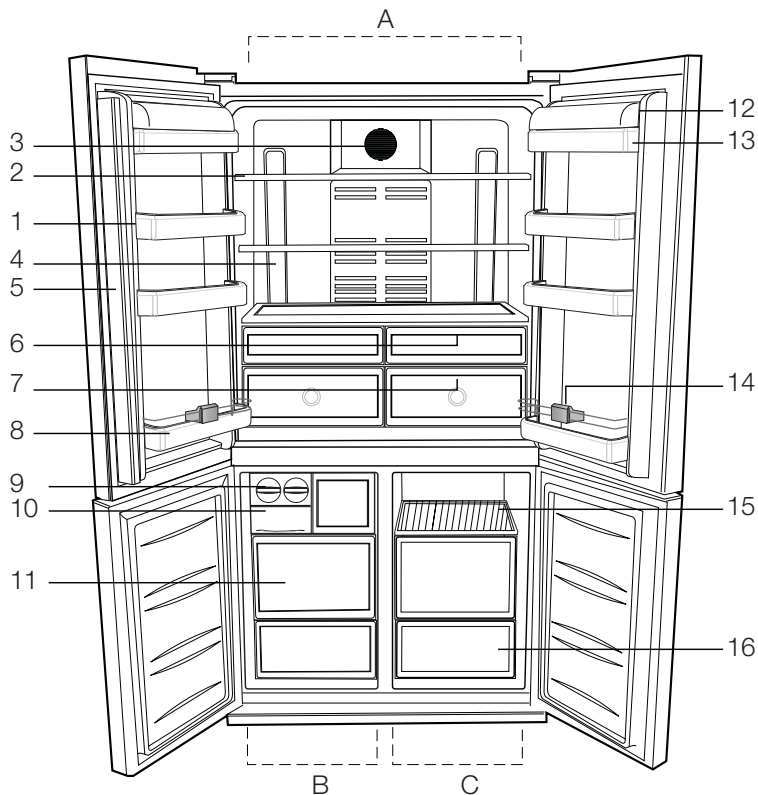
Индикаторен панел.....	12
Предупреждение за отворена врата:	14
Плъзгащи се рафтове.....	15
Тава за яйца	15
Контейнер за запазване на свежестта	15
Отделение за охлаждане	15
Многозоново отделение за съхранение.....	16
Подвижна средна част	16
Синя лампа	16

5 Поддръжка и почистване17

Предпазване на пластмасовите повърхности	17
--	----

6 Възможни решения на възникнали проблеми 18

1 Вашият хладилник



- A- Хладилно отделение
- B- Фризерно отделение
- C- Многозоново отделение

- | | |
|--|--|
| 1- Рафтове на вратата на хладилното отделение | 9- Icematic |
| 2- Регулируеми рафтове в корпуса на хладилното отделение | 10- Кутия за лед |
| 3- Капак на дифузера | 11- Отделения за съхранение на замразени храни |
| 4- Осветителни лещи | 12- Капак на рафта за масло и сирене |
| 5- Въртяща се средна част | 13- Рафт за масло и сирене |
| 6- Отделение за охлаждане | 14- Постапка за бутилки |
| 7- Контейнер за запазване на свежестта | 15- Рафтове в многозоновото отделение |
| 8- Рафт за бутилки | 16- Многозоново отделение |

ⓘ Фигурите в настоящето ръководство за употреба са схематични и може да не отговарят точно на вашия уред. Ако споменатите части липсват във вашия уред, то те важат за други модели.

2 Важни предупреждения относно

Безопасността

Моля, прегледайте следната информация. Неспазването на тази информация може да доведе до наранявания или материални щети. В противен случай всякаква гаранция и отговорност стават невалидни.

Сервизният живот на закупеният от вас продукт е 10 години. Това е периода, в който се пазят резервните части за продукта, за да може той да работи както е описано.

Употреба на уреда

Този продукт е предназначен за употреба

- в закрити помещения и зони, като например вкъщи;
 - в затворена работна среда като например магазин и офиси;
 - в затворени сгради за настаняване на хора, като например вили, хотели, пансиони.
- Този продукт не бива да се използва навън.

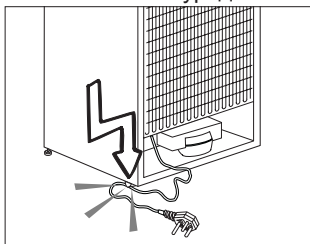
Обща безопасност

- Когато решите да изхвърлите продукта, препоръчваме да се консултирате с оторизирания сервиз за да получите нужната информация за това, както и с оторизирания власти.
- Консултирайте се с оторизирания сервиз по всякакви въпроси и проблеми, свързани с хладилника. Не се опитвайте да поправяте сами или да позволявате друг да прави това без да предупредите оторизирания сервиз.
- За продукти с фризерно отделение; Не яжте сладолед или кубчета лед веднага след като ги извадите от фризерното отделение! (Това може да доведе до измръзване в устата ви.)
- За продукти с фризерно отделение; Не поставяйте бутилирани или

консервирани течности във фризерното отделение. В противен случай те може да се пръснат.

- Не пипайте замразената храна с ръце; тя може да се залепи за ръката ви.
- Изключете хладилника от контакта преди почистване или размразяване.
- Не бива никога да използвате пара и парни почистващи материали при почистването и разлеждането на хладилника. Парата може да влезе в контакт с електрическите части и да предизвика късо съединение или токов удар.
- Никога не използвайте частите на хладилника, като например вратата за подпора или за стъпване.
- Не използвайте електрически уреди вътре в хладилника.
- Не повреждайте частите, където циркулира охладителя с пробивни или режещи инструменти. Евентуалното изтичане на охладител при пробиване на каналите на изпарителя, удълженията на тръбата или покритието върху повърхността може да предизвика раздразнения на кожата или нараняване на очите.
- Не покривайте и не блокирайте с предмети вентилационните отвори на хладилника.
- Електрическите устройства трябва да се ремонтират само от оторизирани лица. Ремонтът, извършен от некомпетентно лице може да създаде риск за потребителя.
- В случай на каквато и да е повреда или по време на поддръжка и ремонт, изключете хладилника от електрическото захранване като изключите съответния бушон или извадите щепсела от контакта.
- Не дърпайте за кабела когато искате да извадите щепсела от контакта.

- Високоградусови спиртни напитки трябва да се поставят в хладилника само вертикално и плътно затворени.
- Никога не съхранявайте спрейове съдържащи възпламеними или експлозивни вещества в хладилника.
- Не използвайте механични устройства или други средства, за да ускорите процеса на размразяване, освен посочените от производителя.
- Този уред не е предназначен за употреба от лица с физически, сензорни или умствени разстройства или лица без опит и познания (включително деца), освен ако те не са наблюдавани или инструктирани относно употребата на уреда от отговорно за безопасността им лице.
- Не използвайте хладилника ако е повреден. Ако имате някакви съмнения, се обърнете към сервизния агент.
- Електрическата безопасност на хладилника е гарантирана само ако заземяването на ел. инсталация в дома ви отговаря на съответните стандарти.
- Излагането на продукта на дъжд, сняг, слънце и вятър представлява опасност от електрическа гледна точка.
- Свържете се с оторизирания сервиз при повреда в хранящия кабел за да избегнете всякакъв риск.
- Никога не включвайте хладилника в контакта по време на инсталация. В противен случай съществува риск за живота или от сериозно нараняване.
- Тзи хладилник е предназначен само за съхранение на хранителни продукти. Той не бива да се ползва за никакви други цели.
- Етикетът с технически спецификации е разположен върху лявата вътрешна стена на хладилника.
- Никога не свързвайте хладилника с енергоспестяващи системи; те могат да повредят хладилника.
- Ако на хладилника има синя светлина, не разглеждайте синята светлина с оптически устройства.
- За ръчно контролирани хладилници, изчакайте поне 5 минути за да рестартирате хладилника след прекъсване в храняването.
- Това упътване за употреба трябва да се предаде на новия собственик ако уредът бъде продаден на други лица.
- Внимавайте да не повредите хранящия кабел при транспортирането на хладилника. Огъването на кабела може да дведе до пожар. Никога не поставяйте тежки предмети върху хранящия кабел. Не пишайте щепсела с мокри ръце когато включвате уреда в контакта.



- Не включвайте хладилника в разхлабени контакти.
- По причини на безопасността по външността или вътрешността на уреда не бива да се пръска директно вода.
- Не пръскайте субстанции, съдържащи възпламеними газове от рода на пропан газ в близост до хладилника за да избегнете риска от пожар и експлозия.
- Никга не поставяйте съдове, пълни с вода върху хладилника, тъй като това може да доведе до токов удар или пожар.
- Не препълвайте хладилника с прекомерно количество храна.

Ако е препълнен, хранителните продукти може да паднат и да ви наранят или да повредят хладилника при отваряне на вратата. Никога не поставяйте предмети върху хладилника; в противен случай те може да изпаднат при отварянето и затварянето на вратата на хладилника.

- Тъй като се нуждаят от точно определена температура на съхранение (ваксини, температурно-зависими лекарства, научни материали, и др.) не бива да се държат в хладилника.
- Ако не бъде използван дълго време, хладилникът трябва да бъде изключен от контакта. Възможно е неизправност в захранващия кабел да доведе до пожар.
- Накрайникът на щепсела трябва да бъде редовно почистван за да се избегне риска от пожар.
- Накрайникът на щепсела трябва да бъде редовно почистван със сух парцал за да се избегне риска от пожар.
- Хладилникът може да мърда ако регулируемите крачета не са стабилно закрепени на пода. Стабилното закрепване на регулируемите крачета на пода може да предпази хладилника от мърдане.
- При преместването на хладилника, не го хващайте за дръжката на вратата. В противен случай тя може да се откъсне.
- Ако се налага да поставите уреда до друг хладилник или фризер, разстоянието между двата уреда трябва да е поне 8см. В противен случай прилежащите странични стени може да се навлажнят.

За продукт с воден разпределител;

Налягането на водата трябва да е поне 1 бар. Налягането на водата трябва да е под 8 бара.

- Използвайте само питейна вода.

Защита от деца

- Ако на вратата е поставена ключалка, ключът трябва да се държи далеч от достъпа на деца.
- Децата трябва да бъдат надзиравани за да се избегне играене с уреда.

НСА предупреждение

Ак охлаждащата система на уреда ви съдържа R600a:

Този газ е запалим. Затова внимавайте да не повредите охладителната система и тръбите при употреба и транспорт. В случай на повреда, дръжте продукта далеч от потенциални източници на огън, което може да доведе до подпалването на уреда и проветрявайте стаята, където се намира той.

Не взимайте предвид това предупреждение ако охладителната ви система съдържа R134a.

Типът газ, използван в продукта, е обозначен на страничната табелка с данни върху вътрешната лява страна на хладилника.

Никога не изхвърляйте уреда в огън.

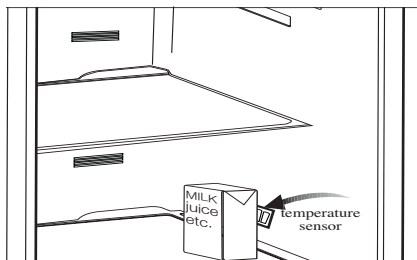
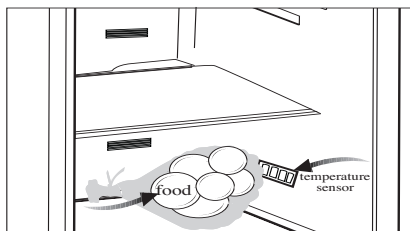
Неща, които да направите с цел пестене на енергия

- Не оставяйте вратите на хладилника отворени за дълго.
- Не прибирайте горещи храни и напитки в хладилника.
- Не препълвайте хладилника за да не се затруднява въздушната циркулация вътре в него.
- Не инсталирайте хладилника под пряка слънчева светлина или в близост до уреди, излъчващи топлина, като фурни, съдомиялни машини или радиатори.
- Дръжте храната в затворени контейнери.
- За уреди с фризерно отделение; Можете да съхранявате максимално количество хранителни продукти ако свалите рафта или чекмеджето на хладилника. Стойността на енергийната консумация, посочена върху хладилника, е измерена при свален рафт или чекмедже на фризера и при максимално зареждане. Няма никаква опасност да използвате рафт или чекмедже в зависимост от формата и размера на хранителните продукти които замразявате.
- Разлеждането на замразена храна в хладилника ще осигури както пестене на енергия, така и ще запази качеството на хранителните продукти.

Препоръки за отделението за съхранение на пресни храни

* НЕЗАДЪЛЖИТЕЛНО

- Не оставяйте хранителните продукти да влизат в допир с топлинния сензор в отделението за пресни храни. За да може да поддържа идеална температура на съхранение в отделението, сензорът не бива да бъде блокиран от хранителни продукти.
- Не слагайте гореща храна в хладилника.



3 Монтаж

⚠ Не забравяйте, че производителят не носи отговорност, в случай, че предоставената в ръководството за употреба информация не се спазва.

Подготовка

- Хладилникът ви трябва да се инсталира поне на 30 см разстояние от топлинни източници като котлони, фурни, централно парно, на поне 5 см от електрически печки и не трябва да се излага на пряка слънчева светлина.
- Температурата в стаята, където ще инсталирате хладилника, трябва да е поне 10°C. Употребата на хладилника при по-студени условия не е препоръчителна, тъй като това се отразява на ефективността му.
- Проверете дали вътрешността на хладилника е почистена изцяло.
- Ако два хладилника се инсталират един до друг, трябва да има поне 2 см разстояние помежду им.
- Когато използвате хладилника за първи път, следвайте следните указания през първите 6 часа.
 - Вратата не бива да се отваря често.
 - Хладилникът трябва да работи празен, без храна в него.
 - Не изключвайте хладилника от щепсела. Ако има прекъсване на захранването, което не можете да контролирате, моля прочетете предупрежденията в раздел “Възможни решения на възникнали проблеми”.
- Оригиналната опаковка и изолиращи материали трябва да се запазят за бъдещо транспортиране или преместване.

На какво да обърнете внимание при повторно транспортиране на хладилника

1. Хладилникът трябва да се изпразни и почисти преди всяко транспортиране.
2. Рафтовете, аксесоарите, контейнера за запазване свежестта и др. в хладилника трябва да се залепят добре с изолиранд срещу друсането при пренасяне.
3. Опаковката трябва да се обиколи с дебело тиксо и здрави въжета и правилата за транспортиране, напечатани върху опаковката, да се спазват.

Не забравяйте...

Всеки рециклиран продукт е от ползва за природата и националните ресурси. Ако искате да допринесете за рециклирането на опаковъчните материали, може да получите информация за това от местните власти и органи за опазване на околната среда.

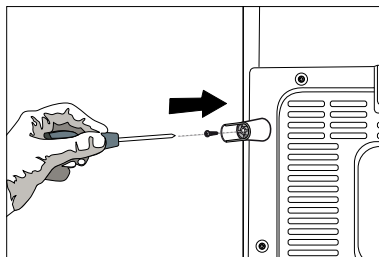
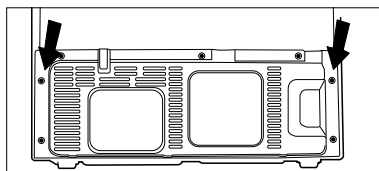
Подмяна на осветителната лампичка

За да подмените лампичката в хладилника, моля обадете се в оторизирания сервиз.

Преди да започнете работа с хладилника

Преди да започнете употреба на хладилника, моля поверете следното:

1. Вътрешността на хладилника суха ли е и може ли въздухът да циркулира свободно в задната му част?
2. Поставете 2-те пластмасови клинчета на задната вентилация, по начина, показан на илюстрацията. Развийте съществуващите винтове и използвайте винтовете, предоставени в същата торбичка с клинчета. Пластмасовите клинове осигуряват нужната дистанция между хладилника и стената, така че да се осигури циркулация на въздух.



3. Почистете вътрешността на хладилника, както е препоръчано в раздел "Поддръжка и почистване".
4. Включете хладилника в контакта. При отваряне на вратата вътрешната лампичка светва.
5. Ще чуете шум, когато компресорът започне да работи. Нормално е течността и газовете в охладителната система да издават шум, дори компресорът да не работи.
6. Предните ъгли на хладилника може да са топли на пипане. Това е нормално. Тези части са проектирани да бъдат топли с цел избягване на кондензацията.

Електрическо свързване

Свържете хладилника към заземен контакт, който се предпазва от бушон с подходящ капацитет.

Важно:

- Свързването трябва да бъде направено в съответствие с наредбите в страната.
 - Щепселът трябва да е лесно достъпен след монтажа.
 - Мощността и допустимата защита на бушона са указани в раздел "Технически спецификации".
 - Посочената мощност трябва да отговаря на мощността на вашето захранване.
 - При свързването не бива да се ползват удължители и разклонители.
- ⚠ Ако кабелът е повреден, той трябва да се подмени от квалифициран техник.
- ⚠ Уредът не бива да се ползва преди той да бъде поправен! Съществува опасност от токов удар!

Изхвърляне на опаковъчните материали

Опаковъчните материали може да представляват опасност за децата. Дръжте опаковъчните материали далеч от достъпа на деца или ги изхвърлете разделно, в съответствие с указанията за изхвърляне на отпадъци. Не ги изхвърляйте заедно с другите битови отпадъци.

Опаковката на вашия хладилник е изработена от рециклируеми материали.

Изхвърляне на стария ви хладилник.

Изхвърлете стария си уред така, че да не навредите на околната среда.

- Може да се консултирате с оторизирания търговец или центъра за събиране на отпадъци във вашата община относно изхвърлянето на хладилника ви.

Преди да изхвърлите хладилника ви, отрежете кабела и, ако вратата е със заключалки, ги направете неизползваеми, така, че да предпазите децата от всякакви евентуални рискове.

Поставяне ни монтиране

Внимание: Никога не включвайте хладилника в контакта по време на инсталация. В противен случай съществува риск за живота или от сериозно нараняване.

Ако вратата на стаята, където ще инсталирате хладилника, не е достатъчно широка за да мине през нея хладилника, се обадете в оторизирания сервиз за да свалят вратите на хладилника и го вкарайте странично през вратата.

1. Инсталирайте хладилника на място, където може лесно да се ползва.
2. Дръжте хладилника далеч от топлинни източници, задушни места и пряка слънчева светлина.
3. Трябва да осигурите добра вентилация около хладилника за да може той да работи ефективно. Ако ще монтирате хладилника в ниша в стената, трябва да има поне 5 см разстояние от тавана и стената.

Ако подът е покрит с килим, уредът трябва да се повдигне на 2.5 см от пода.

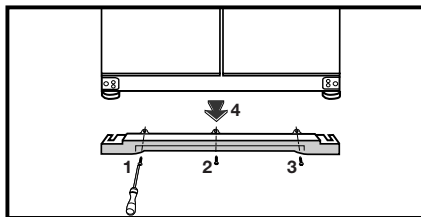
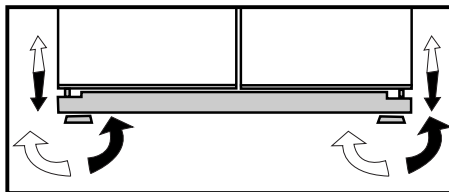
4. Поставете хладилника върху равна подова повърхност за да се избегне клатене на уреда.
5. Не дръжте хладилника при външна температура под 10°C.

Нивелиране върху пода

Ако хладилникът ви не е балансиран;

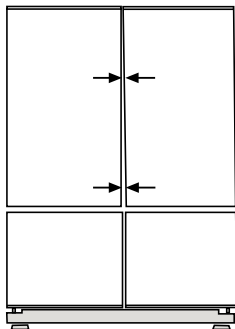
1- Капакът на вентилацията се отстранява чрез отвъртане на винтовете, както е показано на фигурата преди процедурата. Може да балансирате хладилника като завъртите предните крачета както е показано на илюстрацията. Ъгълът, където е крака се понижава при завъртане по посока на черната стрелка и се увеличава при завъртане в обратната посока. Процесът се улеснява ако някой ви помогне като повдигне леко хладилника.

2. След като проблемът с баланса е отстранен, инсталирайте обратно капака на вентилацията и затегнете винтовете.

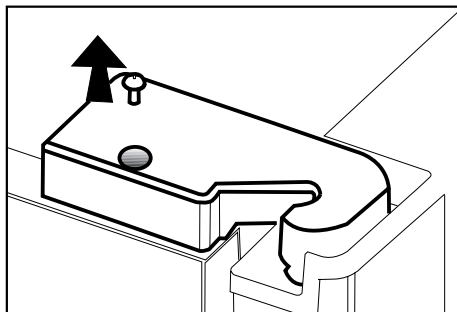


3. Отстранете винтовете закрепващи долния капак на вентилацията, с помощта на отвертка Philips.

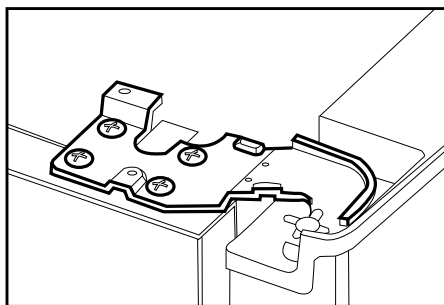
Регулиране на разликата между горната врата



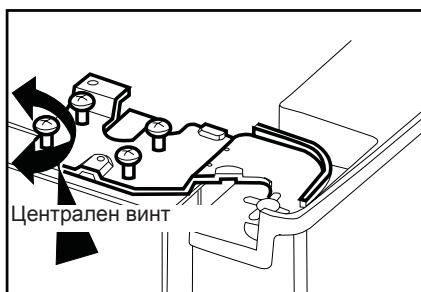
- Можете да регулирате разликата между вратите на хладилното отделение по начина, указан на фигурите.



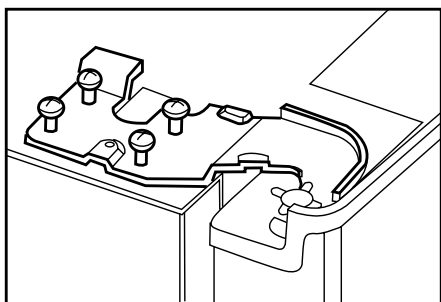
- Рафтовете на вратата трябва да са празни, когато регулирате височината на вратата.



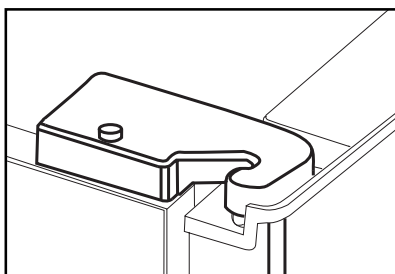
- Нагласете вратата чрез затягане на винтовете, без да променят позицията на вратата.



- С помощта на отверка, премахнете винтовете от капака на горната панта на вратата, която искате да регулирате.



- Поставете отново пантата на капака и фиксирайте с винта.

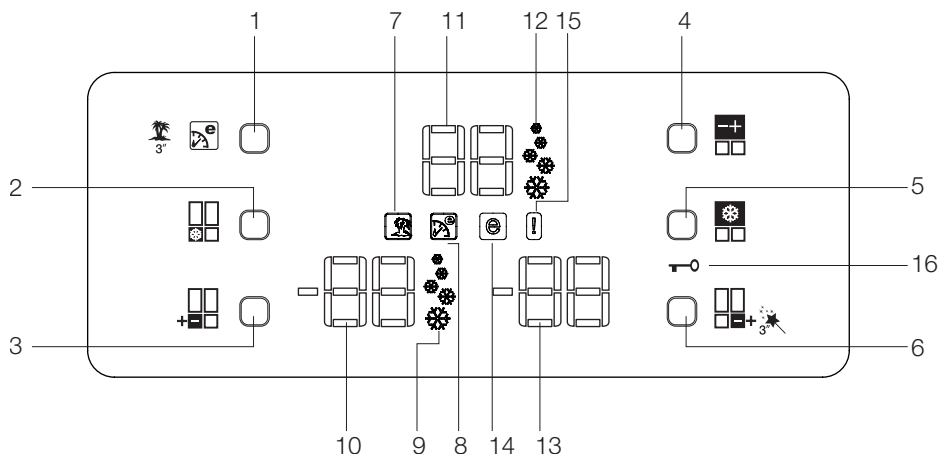


- Регулирайте вратата, по желанието от вас, чрез разхлабване на винтовете.

4 Употреба на хладилника ви

Индикаторен панел

Индикаторният панел с тъч контрол позволява настройването на температурата без да отваряте вратата на хладилника си. Просто докоснете съответния бутон с пръст за да настроите температурата.



- | | | | |
|----|---|-----|--|
| 1. | Есо Extra / Ваканционен бутон | 8. | Индикатор функция Есо Extra |
| 2. | Бутон за бързо замразяване | 9. | Функция Бързо замразяване |
| 3. | Бутон за настройване на температурата във фризерното отделение | 10. | Индикатор на температурата в фризерното отделение |
| 4. | Бутон за настройване на температурата във хладилното отделение | 11. | Индикатор на температурата в хладилното отделение |
| 5. | Бутон бързо охлаждане | 12. | Индикатор на функция бързо охлаждане |
| 6. | Бутон за настройване на температурата в многозоновото отделение | 13. | Индикатор на температурата в многозоновото отделение |
| 7. | Индикатор на функция ваканция | 14. | Индикатор икономичен режим |
| | | 15. | Индикатор за грешки |
| | | 16. | Индикатор за заключване на копчетата |

ⓘ Фигурите в настоящето ръководство за употреба са схематични и може да не отговарят точно на вашия уред. Ако споменатите части липсват във вашия уред, то те важат за други модели.

1. Есо Extra/Ваканционен бутон

Натиснете за кратко този бутон за да активирате функцията Есо Extra. Натиснете и задръжте бутона за 3 секунди за да активирате функцията ваканция. За да деактивирате избраната функция натиснете бутона повторно.

2. Бутон бързо замразяване

Натиснете за кратко този бутон, за да активирате функцията бързо замразяване. За да деактивирате избраната функция натиснете бутона повторно.

3. Бутон за температурната настройка във фризерното отделение

Натиснете този бутон за да настроите температурата във фризерното отделение съответно на -18, -20, -22, -24, -18... Натиснете бутона за да настроите желаната температура във фризерното отделение.

4. Бутон за температурната настройка във хладилното отделение

Натиснете този бутон за да настроите температурата в хладилното отделение съответно на 8, 6, 4, 2, 8... Натиснете бутона за да настроите желаната температура във хладилното отделение.

5. Бутон бързо охлаждане

Натиснете за кратко този бутон, за да активирате функцията бързо охлаждане. За да деактивирате избраната функция натиснете бутона повторно.

6. Бутон за настройване на температурата в многозоновото отделение

Можете да настройвате многозоновото отделение като фризер или като хладилник. Натиснете и задръжте бутона за 3 секунди за да настроите многозоновото отделение като фризер или като охладител. Това отделение е фабрично настроено като фризерно отделение.

Ако многозоновото отделение е настроено като фризер, тогава температурата в него съответно ще се променя -18, -20, -22, -24, -18... всеки път когато натискате бутона. Ако многозоновото отделение е настроено като охладител, тогава температурата в него съответно ще се променя 10, 8, 6, 4, 2, 0, -6,... всеки път когато натискате бутона.

7. Индикатор ваканционна функция

Показва, че функцията ваканция е активирана. Ако функцията е активна, "-" се появява на индикатора на хладилното отделение и хладилното отделение не се охлажда. Другите отделения ще се охладят според зададената им температура. За да деактивирате тази функция натиснете съответния бутон повторно.

8. Индикатор за функцията Есо Extra

Показва, че функцията Есо Extra е активна. Ако функцията е активна, хладилникът ви автоматично ще засече периодите на най-слаба употреба и по това време ще извършва енергийно-ефективно охлаждане. Индикаторът за икономия ще е активен докато има енерго-ефективно охлаждане. За да деактивирате тази функция натиснете съответния бутон повторно.

9. Индикатор на функцията бързо замразяване

Показва, че функцията бързо охлаждане е активна. Използвайте тази функция когато поставяте свежа храна във фризерното отделение или когато се нуждаете от лед. Когато тази функция е активна, хладилникът ви ще работи 6 часа без прекъсване.

За да деактивирате тази функция натиснете съответния бутон повторно.

10. Индикатор на температурата във фризерното отделение

Отчита температурната настройка за фризерното отделение.

11. Индикатор на температурата във хладилното отделение

Отчита температурната настройка за хладилното отделение.

12. Индикатор на функцията бързо охлаждане

Показва, че функцията бързо охлаждане е активна. Използвайте тази функция когато поставяте свежа храна във хладилното отделение или когато искате бързо да охладите храна. Когато тази функция е активна, хладилникът ви ще работи 2 часа без прекъсване.

За да деактивирате тази функция натиснете съответния бутон повторно.

13. Индикатор на температурата в многозоновото отделение

Показва температурата в многозоновото отделение.

14. Индикатор икономичен режим

Показва, че хладилникът работи в енергоефективен режим. Температура на фризерно отделение

Този индикатор ще е активен ако функцията е настроена на -18 или енергоефективното охлаждане е извършено по време на функцията Eco-Extra.

15. Индикатор грешки

Този индикатор ще се активира ако вашият хладилник не охлажда адекватно или ако има повреда в сензор. Когато индикаторът е активен, температурният индикатор във фризерното отделение ще изпише "E" и температурният индикатор на хладилното отделение ще изпише номера като "1,2,3...". Тези номера на индикатора дават информация на сервизните техници за грешката.

16. Индикатор за заключване на копчетата

Използвайте тази функция ако не искате температурната настройка на хладилника да бъде променена. Натиснете бутон бързо охлаждане и бутона за настройка на температурата в многозоновото отделение едновременно за 3 секунди за да активирате тази функция.

За да деактивирате тази функция натиснете съответните бутони повторно.

Предупреждение за отворена врата:

Ако вратата на хладилното или на Многозоновото отделение остане отворена за над 1 минута, се активира аудио сигнал за отворена врата. За да спрете алармата, просто натиснете който и да е бутон на индикатора или затворете вратата.

Тава за яйца

Може да монтирате поставката за яйца на желанния рафт или вътрешен рафт.

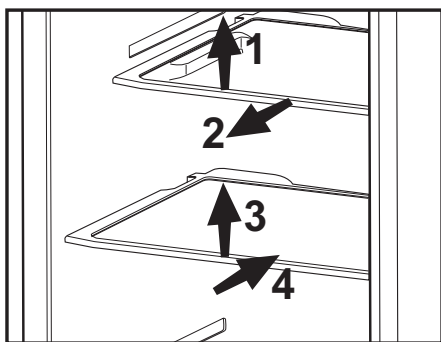
Никога не дръжте поставката за яйца във фризерното отделение

Плъзгачи се рафтове

Лекото повдигане на плъзгачите се рафтовете отпред позволява те да бъдат изтегляни и придвижвани напред и назад. Те се явяват спиращо място когато изтегляте рафта, за да достигнете храни, разположени в задната част на рафта; когато се издърпа чрез леко повдигане нагоре на второто спиращо място, тялото на рафта ще се освободи.

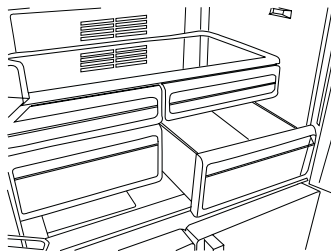
Рафтът трябва да се държи здраво отдолу за да не се преобърне. Тялото на рафта се поставя в релсите отстрани на хладилника на по ниско или по-високо ниво.

Рафта трябва да се натисне назад за да се постави изцяло.



Контейнер за запазване на свежестта

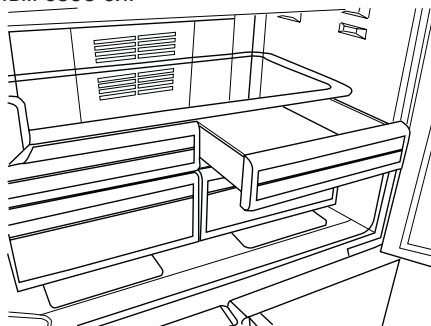
Контейнерът за запазване на свежестта в хладилника ви е специално проектиран да запази свежестта на зеленчуците ви без те да загубят своята свежест. За тази цел, около контейнера за запазване на свежестта се получава хладна въздушна циркулация.



Отделение за охлаждане

Отделенията за охлаждане подготвят храните за замразяване. Също така може да използвате тези отделения за съхранение на хранителни продукти при температура няколко градуса по-ниска от тази в хладилното отделение.

Може да увеличите вътрешния обем на хладилника като свалите някои от отделенията за охлаждане. За да направите това, издърпайте отделението към себе си; отделението ще се наклони към стопера и ще спре. Това отделение ще се откачи когато го повдигнете на около 1см и издърпате към себе си.



Подвижна средна част

Подвижната средна част има за цел да предотврати излизането на студения въздух навън.

1- В средната подвижна част на хладилника има допълнително уплътнение което уплътнява когато вратите на хладилното отделение са затворени.

2- Друга причина хладилникът ви да е оборудван с подвижна средна част е, че тя увеличава нетния обем на фризерното отделение. Стандартната средна част заема неизползваемо пространство в хладилника.

3- Подвижната средна част е затворена когато лявата врата на хладилното отделение е затворена.

4- Не бива да се отваря ръчно. Тя се движи под влияние на пластмасовата част на корпуса при затваряне на вратата.

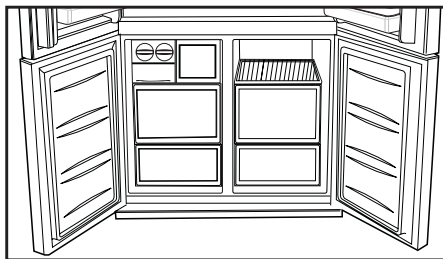
Многозоново отделение за съхранение

Многозоновото отделение за съхранение на вашата хладилник може да бъде използвано във всеки желан режим като го регулирате на температура: хладилник (2/4/6/8 °C) или фризер (-18/-20/-22/-24). Можете да поддържате желаната температура в отделението с помощта на бутона за настройка на температурата в мултизоновото отделение.

Температурата на многозоновото отделение за съхранение може да бъде настроена на стойност 0 и 10 градуса в допълнение към температурата на хладилното отделение и на -6 градуса в допълнение към температурата на фризерното отделение. 0 градуса се използва за съхранение на деликатсните продукти по-дълго, а -6 градуса се използва за поддържане на месо в срок

от 2 седмици в състояние за лесно нарязване.

i Възможността за превключване на уреда между хладилно или фризерно отделение се осигурява от един охлаждащ елемент разположен в затворения участък (Компресорно отделение) отзад на хладилника. По време на работа на този елемент, може да се чуват звуци подобни на звуците от отброяване на секунди чувани от аналогов часовник. Това е нормално и не причинява никакви повреди.



Синя лампа

Хранителните продукти, които се съхраняват в отделението за запазване на свежестта и се осветяват със синя лампа, продължават фотосинтезата си благодарение на ефекта на вълните на синята лампа, като по този начин запазват свежестта си и повишават съдържанието на витамини.



5 Поддръжка и почистване

- ⚠ Никога не използвайте газ, беззин или подобни вещества за почистване на уреда.
- ⚠ Препоръчваме ви да изключите уреда от контакта преди почистване.
- ⚠ Никога не използвайте за почистване остри или абразивни материали, сапун, домакински препарати, перилни препарати или полир.
- ℹ Използвайте хладка вода, за да почистите корпуса на хладилника, и подсушете.
- ℹ Използвайте влажна кърпа, натопена в разтвор от една супена лъжица сода бикарбонат в половин литър вода, за да почистите вътрешността, и подсушете.
- ⚠ В гнездото на лампата и другите електрически компоненти не бива да навлиза вода.
- ⚠ Ако хладилникът няма да се използва дълго време, изключете го от контакта, извадете всички хранителни продукти, почистете го и оставете вратата открената.
- ℹ Редовно проверявайте уплътненията на вратата, за да сте сигурни, че са чисти и че по тях няма хранителни остатъци.
- ⚠ За да свалите рафт от вратата, извадете всички продукти и го бутнете нагоре от основата му.

Предпазване на пластмасовите повърхности

- ℹ Не слагайте течни мазнини или готвени в мазнина ястия в хладилника освен в затворен контейнер, тъй като те повреждат пластмасовите повърхности на хладилника. В случай на разливане или омазване на пластмасовите повърхности с мазнина, почистете и изплакнете съответната част от повърхността с топла вода.

6 Възможни решения на възникнали проблеми

Моля, прегледайте този списък преди да се обадите в сервиса. Това може да ви спести време и пари. Този списък съдържа проблеми, които не са в резултат на дефетно производство или лоша употреба на материали. Някои от описаните тук характеристики може да не са налични във вашия продукт.

Хладилникът не работи.

- Хладилникът правилно ли е включен в контакта? Включете щепсела в контакта.
- Да не е изгорял бушонът на контакта, към който е свързан хладилника или главният бушон? Проверете бушона.

Кондензация по странияната стена на хладилното отделение (МУЛТИЗОНА, КОНТРОЛ НА ОХЛАЖДАНЕТО и FLEXI ZONE).

- Много студени външни температурни условия. Често отваряне и затваряне на вратата. Много влажни външни условия. Съхранение на храни със съдържание на течности в отворените контейнери. Оставена откряхната вратата. Превключете термостата на по-ниска стойност.
- Дръжте вратата отворена по-кратко време или я използвайте по рядко.
- Покривайте храните, съхранявани в отворени контейнери с подходящи материали.
- Избършете кондензираната вода със сух парцал и проверете дали се кондензира отново.

Компресорът не работи

- Защитният термостат на компресора се изключва при внезапно прекъсване в захранването или при включване и изключване от контакта тъй като налягането на охладителя в охладителната система на хладилника все още не е уравнивесен. Хладилникът ще започне да работи след около 6 минути. Ако след този период от време хладилникът не почне да работи, се свържете със сервиса.
- Хладилникът е в цикъл на разлеждане. Това е нормално за хладилник с напълно автоматично разлеждане. Цикълът на разлеждане се задейства периодично.
- Хладилникът не е включен в контакта. Проверете дали щепсела е добре вкаран в контакта.
- Правилно ли са направени температурните настройки?
- Захранването трябва да е изключено.

Хладилникът работи често или продължително време

- Новият ви хладилник може да е по-широк от предишния. Това е съвсем нормално. Големите хладилници работят по-дълго време.
- Температурата в стаята може да е твърде висока. Това е съвсем нормално.
- Хладилникът може скоро да е включен в контакта или да е зареден с храна. Пълното охлаждане на хладилника може да продължи няколко часа по-дълго.
- Възможно е наскоро да сте поставили големи количества топла храна в хладилника. Горещата храна води до по-продължителна работа на хладилника до достигане на необходимата ѝ температура на съхранение.
- Вратите може да са били отворяни често или оставени открити за дълго време. Топлият въздух, проникнал в хладилника, го кара да работи за по-продължителни периоди. Избягвайте да отваряте вратите толкова често.
- Вратата на фризерното или хладилно отделение може да е била оставена откритата. Проверете дали вратите са плътно затворени.
- Хладилникът е настроен на много ниска температура. Настройте хладилника на по-висок градус и изчакайте докато достигне температурата.
- Уплътнението на вратата на хладилника или фризера може да е замърсено, износено, повредено или неправилно поставено. Почистете или подменете уплътнението. Повреденото уплътнение кара хладилника да работи по-продължително време за да поддържа температурата.

Температурата във фризера е много ниска, докато температурата в хладилника е задоволителна

- Фризерът е настроен на много ниска температура. Настройте температурата във фризера на по-висока стойност и проверете.

Температурата в хладилника е много ниска, докато температурата във фризера е задоволителна

- Възможно е хладилникът да е настроен на много ниска температура. Настройте температурата в хладилника на по-висока стойност и проверете.

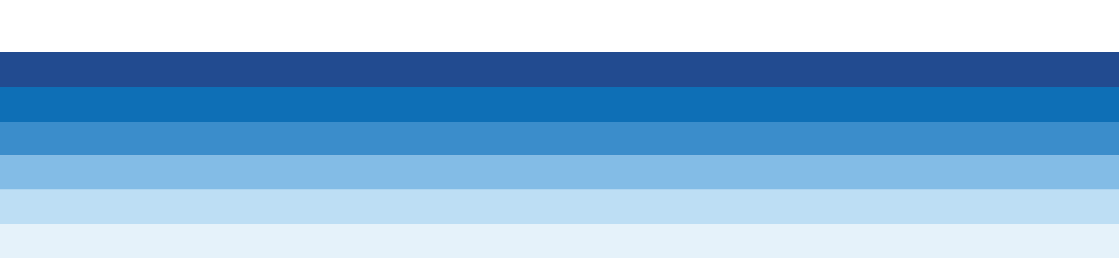
Хранителните продукти, съхранявани в чекмеджетата на хладилното отделение, замръзват.

- Възможно е хладилникът да е настроен на много ниска температура. Настройте температурата в хладилника на по-висока стойност и проверете.

Температурата в хладилника или фризера е много висока.

- Възможно е хладилникът да е настроен на много висока температура. Настройката на хладилника оказва влияние върху температурата във фризера. Променете температурата в хладилника или фризера до достигане на задоволително ниво.
- Вратите може да са били отворяни често или оставени открити за дълго време; отваряйте ги по-нарядко.
- Вратата може да е била оставена откритата; затворете я докрай.
- Възможно е наскоро да сте поставили голямо количество топла храна в хладилника. Изчакайте хладилникът или фризерът да достигнат желаната температура.
- Хладилникът може да е включен скоро в контакта. Пълното охлаждане на хладилника отнема време.

Работният шум се увеличава когато хладилникът работи.
<ul style="list-style-type: none"> Оперативните характеристики на хладилника ви може да се променят в зависимост от промените на околната температура. Това е нормално и не е повреда.
Вибрации или шум.
<ul style="list-style-type: none"> Подът не е равен или издръжлив. Хладилникът се люлее при леко помръдване. Уверете се, че подът е достатъчно здрав и равен и може да издържи хладилника. Шумът може да идва от предметите, поставени върху хладилника. Свалете всякакви предмети от върху хладилника.
От хладилника се чуват шумове като от разливане на течност или спрей.
<ul style="list-style-type: none"> Потокът на течност и газ е в съответствие с оперативните принципи на хладилника ви. Това е нормално и не е повреда.
Чува се шум като от духане на вятър.
<ul style="list-style-type: none"> Вентилаторите се използват за охлаждане на хладилника. Това е нормално и не е повреда.
Кондензация по вътрешните страни на хладилника.
<ul style="list-style-type: none"> Топлият и влажен климат повишава залеждането и кондензацията. Това е нормално и не е повреда. Вратите може да са били оставени открити; проверете дали са затворени докрай. Вратите може да са били отворени често или оставени открити за дълго време; отваряйте ги по-нарядко.
Отвън на хладилника или между вратите се събира влага.
<ul style="list-style-type: none"> Възможно е въздухът да е влажен; това е нормално при влажен климат. Когато влажността във въздуха намалее, кондензираната вода ще изчезне.
Лоша миризма в хладилника.
<ul style="list-style-type: none"> Вътрешността на хладилника трябва да се почисти. Почистете вътрешността на хладилника с гъба, хладка или газирана вода. Миризмата може да излиза от контейнери или опаковъчни материали. Използвайте друг контейнер или различна марка опаковъчни материали.
Вратата не се затваря.
<ul style="list-style-type: none"> Пакетите с храна може да пречат на затварянето на вратата. Преместете пакетите, които пречат на вратата. Хладилникът не е изправен върху пода и се люлее при леко помръдване. Настойте повдигащите винтове. Подът не е равен или издръжлив. Уверете се, че подът е равен и способен да издържи хладилника.
Контейнерите за запазване на свежестта са заклещени.
<ul style="list-style-type: none"> Храната може да докосва горната част на чекмеджето. Разместете храната в чекмеджето.



48 8807 0000/AL
en-fr-da-pt-pl-cz-de-it-es-nl-hu-sv
sl-sk-no-fin-bg

www.beko.com