

Washing Machine
Plně automatická pračka
Perilica rublja
Перална машина

WMI 71241

BEKO

1 Warnings

General Safety

- Never place your machine on a carpet covered floor. Otherwise, lack of airflow from below of your machine may cause electrical parts to overheat. This may cause problems with your washing machine.
- If the power cable or mains plug is damaged you must call Authorized Service for repair.
- Fit the drain hose into the discharge housing securely to prevent any water leakage and to allow machine to take in and discharge water as required. It is very important that the water intake and drain hoses are not folded, squeezed, or broken when the appliance is pushed into place after it is installed or cleaned.
- Your washing machine is designed to continue operating when the power restores after a power interruption. The machine will resume its program when the power restores. Press the "Start/Pause/Cancel" button for 3 seconds to cancel the program (See, Canceling a Program)
- There may be some water in your machine when you receive it. This is from the quality control process and is normal. It is not harmful to your machine.
- Some problems you may encounter may be caused by the infrastructure. Press "Start/Pause/Cancel" button for 3 seconds to cancel the program set in your machine before calling the authorized service.

First Use

- Carry out your first washing process without loading your machine and with detergent under "Cottons 90°C" program.
- Ensure that the cold and hot water connections are made correctly when installing your machine.
- If the current fuse or circuit breaker is less than 16 Amperes, please have a qualified electrician install a 16 Ampere fuse or circuit breaker.
- While using with or without a transformer, do not neglect to have the grounding installation laid by a qualified electrician. Our company shall not be liable for any damages that may arise when the machine is used on a line without grounding.
- Keep the packaging materials out of reach of children or dispose them by classifying according to waste directives.

Intended use

- This product has been designed for home use.
- The appliance may only be used for washing and rinsing of textiles that are marked accordingly.
- This appliance is not intended for use by persons (including children) with reduced

physical, sensory or mental capabilities, or lack of experience and knowledge, unless they have been given supervision or instruction concerning use of the appliance by a person responsible for their safety.

Safety instructions

- This appliance must be connected to an earthed outlet protected by a fuse of suitable capacity.
- The supply and draining hoses must always be securely fastened and remain in an undamaged state.
- Fit the draining hose to a washbasin or bathtub securely before starting up your machine. There may be a risk of being scalded due to high washing temperatures!
- Never open the loading door or remove the filter while there is still water in the drum.
- Unplug the machine when it is not in use.
- Never wash down the appliance with a water hose! There is the risk of electric shock!
- Never touch the plug with wet hands. Do not operate the machine if the power cord or plug is damaged.
- For malfunctions that cannot be solved by information in the operating manual:
- Turn off the machine, unplug it, turn off the water tap and contact an authorized service agent. You may refer to your local agent or solid waste collection center in your municipality to learn how to dispose of your machine.

If there are children in your house...


- Keep children away from the machine when it is operating. Do not let them tamper with the machine.
- Close the loading door when you leave the area where the machine is located.

2 Installation

Removing packaging reinforcement

Tilt the machine to remove the packaging reinforcement. Remove the packaging reinforcement by pulling the ribbon.

Opening the transportation locks

 Transportation safety bolts must be removed before operating the washing machine!

Otherwise, the machine will be damaged!

1. Loosen all the bolts with a spanner until they rotate freely ("C")
2. Remove transportation safety bolts by turning them gently.
3. Fit the covers (supplied in the bag with the Operation Manual) into the holes on the rear panel. ("P")



- i** Keep the transportation safety bolts in a safe place to reuse when the washing machine needs to be moved again in the future.
- i** Never move the appliance without the transportation safety bolts properly fixed in place!

Adjusting the feet

⚠ Do not use any tools to loosen the lock nuts. Otherwise, they can be damaged.

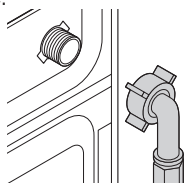
1. Manually (by hand) loosen the lock nuts on the feet.
2. Adjust them until the machine stands level and firmly.
3. Important: Tighten all lock nuts up again.



Connecting to the water supply.

Important:

- The water supply pressure required to run the machine must be 1-10 bar (0,1 – 1 MPa).
- Connect the special hoses supplied with the machine to the water intake valves on the machine.



- If you are going to use your double water-inlet machine as a single (cold) water-inlet unit, you must install the stopper*, supplied with your machine to the hot water valve.
- If you want to use both water inlets of the product, you can connect the hot water hose after removing the stopper and gasket group from the hot water valve.

* Applies for the products supplied with a blind stopper group.

- Models with a single water inlet should not be connected to the hot water tap.

When returning the appliance to its place after maintenance or cleaning, care should be taken not to fold, squeeze or block the hoses.

Connecting to the drain

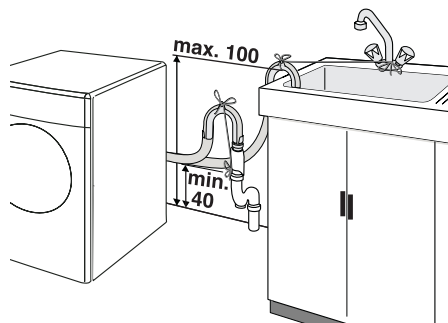
The water discharge hose can be attached to the edge of a washbasin or bathtub. The drain hose should be firmly fitted into the drain as to not get out of its housing.

Important:

- The end of the drain hose must be directly connected to the wastewater drain or to the washbasin.
- The hose should be attached to a height of at

least 40 cm, and 100 cm at most.

- In case the hose is elevated after laying it on the floor level or close to the ground (less than 40 cm above the ground), water discharge becomes more difficult and the laundry may come out wet.



- The hose should be pushed into the drainage for more than 15 cm. If it is too long you may have it shortened.
- The maximum length of the combined hoses must not be longer than 3.2 m.

Electrical connection

Connect the machine to an earthed outlet protected by a fuse of suitable capacity.

Important:

- Connection should comply with national regulations.
- The voltage and the allowed fuse protection are specified in the section “Technical Specifications”.
- The specified voltage must be equal to your mains voltage.
- Connection via extension cords or multi-plugs should not be made.

⚠ A damaged power cable must be replaced by a qualified electrician.

⚠ The appliance must not be operated unless it is repaired! There is the risk of electric shock!

3 Initial preparations for washing

Sorting the laundry

- Sort the laundry according to type of fabric, color, and degree of soiling and permissible water temperature. Always follow the advice on the garment labels.

Preparing clothes for washing

Laundry items with metal attachments such as, brass, belt buckles and metal buttons will damage the machine. Remove metal attachments or place the items in a clothing bag, pillow case, or something similar.

- Empty pockets and remove all foreign objects such as coins, pens and paper clips. If possible, turn pockets out and brush.
- Place small items like infants' socks and nylon

stockings, etc. in a laundry bag, pillow case or something similar. This will also save your laundry from getting lost.

- Place curtains in the machine with care. Remove curtain rails and pullers.
- Fasten zippers, sew loose buttons and mend rips and tears.
- Wash "machine washable" or "hand washable" labeled products only with an appropriate program.
- Do not wash colors and whites together. New, dark colored cottons release a lot of dye. Wash them separately.
- Tough stains must be treated properly before washing. If you are not sure, check with a dry cleaner.
- Use only dyes/color changers and lime removers suitable for machine wash. Always follow the instructions on the packaging.
- Wash trousers and delicate clothes turned inside out.
- Keep laundry items made of Angora wool in the freezer for a few hours before washing. This will reduce pilling.
- Laundry that are subjected to materials such as flour, lime dust, milk powder and etc. intensely must be shaken off before placing into the machine. Such dusts and powders on the laundry may build up on the inner parts of the machine in time and can cause damage.

Correct load capacity

The maximum load capacity depends on the type of laundry, the degree of soiling and the washing program you wish to use.

i The machine adjusts the amount of water according to the amount of laundry placed inside.

! Please follow the information in the "Program Selection Table". Washing results will degrade when the machine is overloaded.

Loading door

The loading door will be locked while the program is running. The door can only be opened a while after the program comes to an end.

- Open the loading door.
- Place laundry items loosely into the machine.
- Push the loading door until it clicks into place tightly. Ensure that no items are caught in the door.

Detergents and softeners

Detergent Drawer

Detergent drawer of your washing machine consists of four different compartments for powder main wash detergent, liquid main wash detergent, liquid softener and powder pre-wash detergent. Each of these laundry additives are dispensed automatically in the relevant time during the washing program.

Do not place the laundry additives directly into the

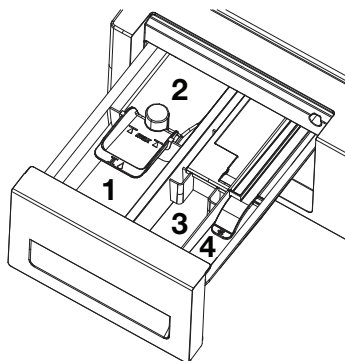
drum. Always use the detergent drawer.

Do not close the drawer too fast after putting the laundry additives. This may cause the additives be dispensed early, creating unsatisfactory washing results and fabric damage.

i Do not open the drawer during washing program.

The detergent drawer compartments are indicated below:

- 1) Left compartment with number "II" (Main wash compartment for powder detergent or powder bleach/stain remover)
- 2) Left compartment with number "II ▲" (Main wash compartment for liquid detergent or liquid stain remover)
- 3) Middle compartment with number "I" (pre-wash compartment for powder detergent, powder stain remover or liquid bleach - liquid bleach must be added either during the pre-wash or during the first rinsing step of the washing program). Liquid bleach must be added manually while the machine takes in water.
- 4) Right compartment with "❀" symbol (liquid softener compartment)



(II) Main Wash Compartment

Before starting the washing program, put powder detergent into the left compartment with number "II". Use the detergent manufacturer's measuring cup and follow the instructions on the package. Powder bleach/stain remover must also be put into this compartment.

Put the liquid detergent into the main wash compartment with number "II ▲" before starting the washing program. Liquid stain remover must be put into this compartment.

Put the suggested amount of liquid detergent into the left compartment with "II ▲" symbol and dilute it to the maximum filling level line (max. II ▲) with warm water.

Particularly the concentrated detergents must be diluted with warm water; otherwise, the siphon may get clogged in time.

Do not fill the detergent above the maximum filling level line; otherwise the excess amount of detergent will reach the laundry without water and may cause stains on the garments. In this case you will need to refill the compartment. Do not pour the detergent onto the laundry directly since this may cause stains on the garments.

Liquid Softener Compartment

Put the suggested amount of liquid softener into the left compartment with "❀" symbol and dilute it to the maximum filling level line (max. ❀) with warm water.

Particularly the concentrated softeners must be diluted with warm water; otherwise, the siphon may get clogged in time.

Do not fill the softener above the maximum filling level line; otherwise the excess amount of softener will get mixed with the washing water and you will need to refill the compartment. Do not pour the softener onto the laundry directly since this may cause stains on the garments.

Liquid softener will be dispensed automatically at the final rinsing step of the washing program.

(I) Pre-Wash Compartment

Put the powder pre-wash detergent or powder stain remover into the middle compartment with number "I".

You can also put liquid bleach into this compartment while the machine takes in water during pre-wash or first rinsing step. Adding the liquid bleach while the machine takes in water allows it to be diluted before it is poured onto the laundry.

You must select extra rinsing option if you use liquid bleach in a washing program. Bleach must be removed from the laundry with rinsing; otherwise it may cause itching on the skin.

i Read the dosage instructions and label of your garments carefully before using the liquid bleach.

Starch

- Add liquid starch, powder starch or the dyestuff into the softener compartment as instructed on the package.
- Never use fabric softener and starch together in the same washing cycle.
- Wipe the inside of the drum after using starch.

Bleaches

If you are going to use regular bleach in your machine, it is suggested to select a program with pre-wash step and add the bleach at the beginning of the pre-wash without putting detergent into the pre-wash compartment. Alternatively, it is suggested to select a program with extra rinsing and add the bleach while the machine takes in water from the detergent drawer in the first rinsing step. Bleach should not be mixed with detergent. Since the bleach may cause irritation on skin, little amounts must be used (e.g. 1/2 tea glass) and rinsed thoroughly. Do not pour

bleach directly onto the laundry and do not use it with color laundry.

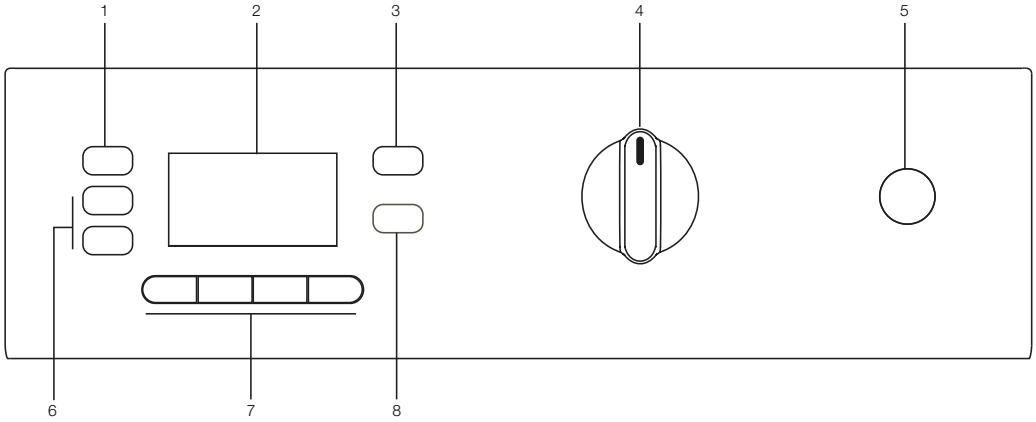
When using oxygen based bleach, follow the instructions on the package and select a program at low temperature. Oxygen based bleach can be used together with the detergent. However, if it is not at the same thickness with the detergent, then it must be added from the compartment number "II" right after the detergent foams with water.

Eliminating lime formation

- When required, use only appropriate lime removers developed specifically for washing machines and always follow the instructions on the package.

4 Selecting a Program and Operating Your Machine

Control panel

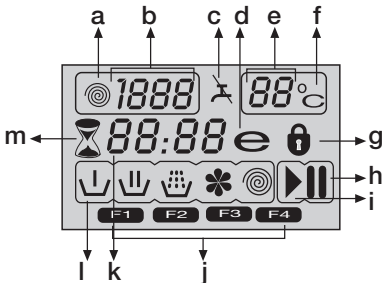


- 1 - Spin Speed Adjustment Button
- 2 - Display
- 3 - Temperature Adjustment Button
- 4 - Program Selection Knob

- 5 - On/Off Button
- 6 - Time Delaying Button (+/-)
- 7 - Auxiliary Function Buttons
- 8 - Start/Pause/Cancel Button

Display symbols

- a - Spin Symbol
- b - Spin Speed Indicator
- c - Water cut-off symbol (According to your machine's model)
- d - Economy Symbol
- e - Temperature Indicator
- f - Temperature Symbol
- g - Door Locked Symbol
- h - Standby Symbol
- i - Start Symbol
- j - Auxiliary Function Symbols
- k - Remaining Time and Delaying Time Indicator
- l - Program Indicator Symbols (pre-wash/main wash/rinse/softener/spin)
- m - Time Delaying Symbol



Turning the machine on

Plug in your machine. Turn the tap on completely. Check if the hoses are connected tightly. Place the laundry in the machine. Add detergent and softener. Press the "On/Off" button.

Program selection

Select the appropriate program from the program table according to type, amount and degree of soiling of the laundry and washing temperatures. Turn the Program Selection Knob to the program mode that you wish to wash your laundry.

The recommended temperature and spin speed for the selected program appear. Press "Start/Pause/Cancel" button to start the program.

Main programs

Depending on the type of textile, the following main programs are available:

• Cottons

You can wash your durable clothes with this program. Your laundry will be washed with vigorous washing movements during a longer washing cycle. It is recommended for your cotton items (such as bed sheets, duvet and pillowcase sets, bathrobes, underclothing, etc.).

• Synthetics

You can wash your less durable clothes on this program. Gentler washing movements and a shorter washing cycle is used compared to the "Cottons" program. It is recommended for your synthetic clothes (such as shirts, blouses,

synthetic/cotton blended garments, etc.). For curtains and lace, the "Synthetic 40" program with pre-wash and anti-creasing functions selected is recommended. Detergent should not be put in the pre-wash compartment. Less detergent should be put in the main wash compartment as loose knit fabrics (lace) foam too much due to its meshed structure.

• **Woollens**

You can wash your machine-washable woolen garments on this program. Wash by selecting the proper temperature according to the labels of your clothes. It is recommended to use appropriate detergents for woollens.

Additional programs

For special cases, there are also extra programs available:

i Additional programs may differ according to the model of your machine.

• **Cotton Economic**

You may wash your laundry to be washed in cottons program in longer periods which ensure very good washing performance.

i Cottons economy program consumes less energy compared to other cottons programs.

• **Babycare**

Increased hygiene is provided by a longer heating period and an additional rinse cycle. It is recommended for baby clothes and clothes worn by allergic people.

• **Hand wash**

You can wash your woolen/delicate clothes that bear "not machine-washable" labels for which hand wash is recommended on this program. It washes the laundry with very tender washing movements without damaging your clothes.

• **Daily Express**

You can use this program to quickly wash a small number of lightly soiled and unstained cotton garments. E.g.: bathrobes, duvet covers, sport wear, daily clothes and etc. used only once.

• **expres 14**

You can use this program to quickly wash a small number of lightly soiled and unstained cotton garments. E.g.: bathrobes, duvet covers, sport wear, daily clothes and etc. used only once.

• **Darkcare**

Use this programme to wash your dark coloured laundry, or the coloured laundry that you do not want them get faded. This programme washes your laundry with low mechanical movements and at low temperature. We recommend you to use liquid detergent or woolen shampoo for dark coloured laundry.

• **Mix**

You can use this program to wash cottons and synthetics together. There is no need to sort them.

• **Shirts**

You can use this program to wash the shirts made

of cotton, synthetic and synthetic blended fabrics.

• **Duvet**

You can also wash your machine-washable fiber duvets with this program.

i You must not load more than 1 piece of fiber duvet for two persons.

"• **Freshen Up**

You can use "Refreshing" program to remove odors from laundry that are used only for once and do not have any spots or dirt on them.

• **Eco Clean**

You can use this program, which is more sensitive to environment and natural resources, to wash lightly soiled and unspotted cotton laundry (max 3.5 kg) in a short time and economical way. It is suggested to use liquid or gel washing detergents.

• **Self Clean**

It is suggested to run this program with certain intervals (e.g. once in 1 or 2 months) for the self-cleaning of your machine. This program must certainly be run without any laundry in the machine. Make sure that the machine is empty before starting the program. For more effective cleaning, you can run the program by adding powder lime remover for washing machines into compartment II of the detergent drawer. After the program is completed, leave the door ajar to allow the inside of the machine get dry.

i This is not a program for washing laundry. This is a maintenance program for the machine.

i Never use this program if there is something in your machine.

i When this feature is started your machine senses the load inside of it automatically, if any, and interrupts the program.

Each of these main programs comprise of a complete washing process, including washing, rinsing and, if required, spin cycles.

i Sort the laundry according to type of fabric, color, degree of soiling and permissible water temperature while choosing a program.

i Always select the lowest required temperature. Higher temperature means higher power consumption.

i For further program details, see "Program Selection Table"

Economy Symbol

Shows energy saving programs and temperature selections.

As "Intensive" and "Hygiene" programs are long programs with higher temperature selections to ensure hygiene, "Economy" Symbol will not light up.

Special programs


For specific applications, select any of the following programs:

• Rinse

This program is used when you want to rinse or starch separately.

• Spin + Drain

This program spins with maximum possible rpm in the default setting after the water drains from the machine.

 Use a lower spin speed for delicate laundries.

Temperature selection

Whenever a new program is selected, the temperature anticipated for that program appears on the temperature indicator (7b).

To change the temperature, press the temperature button. Temperature decreases in 10° increments.

Cold selection is shown with “-” symbol.

90°C	Normally soiled, white cottons and linens. (Ex.: coffee table covers, tablecloths, towels, bed sheets)
60°C	Normally soiled, fade proof colored linens, cottons or synthetic clothes (Ex.: shirts, nightgowns, pajamas) and lightly soiled white linen clothes (Ex.: underwear)
40°C 30°C Cold	Blended clothes including synthetics and woolens as well as delicates.

Spin Speed selection

Whenever a new program is selected, the maximum spin speed of the selected program is displayed on the spin speed indicator.

To decrease the spin speed, press the “Spin” button. Spin speed decreases gradually. Then, rinse hold and no spin options are shown respectively.

Rinse hold is shown with “” and no spin is

shown with “. .” symbols.

If you are not going to unload your clothes immediately after the cycle, you may use rinse hold function in order to prevent your clothes become wrinkled when there is no water in the machine. With this function, your laundry is kept in the final rinsing water. If you want to spin your laundry after the rinse hold function:

- Adjust the spin speed.
- Press “Start/Pause/Cancel” button. Program resumes. Your machine drains the water and spins your laundry.

You can use no spin function in order to drain the water without spinning at the end of the program.

Program and consumption table

EN						Auxiliary functions						Selectable temperature range °C
Programme (°C)	Max. Load (kg)	Water Consumption (l)	Energy Consumption (kWh)	Max. Speed**	Prewash	Quick Wash	Rinse Plus	Anti-Creasing	Rinse Hold	Pet hair removal		
Cottons	90	7	74	2.30	1600	•	•	•	•	•	90-Cold	
Cottons	60	7	72	1.50	1600	•	•	•	•	•	90-Cold	
Cottons	40	7	72	0.85	1600	•	•	•	•	•	90-Cold	
Babycare	90	7	66	2.70	1600			*		•	90-30	
Cotton Economic	60**	7	52	1.19	1600	•	•	•	•	•	60-Cold	
Cotton Economic	40	7	64	0.72	1600	•	•	•	•	•	60-Cold	
Synthetics	60	3	45	1.00	1000	•	•	•	•	•	60-Cold	
Synthetics	40	3	45	0.45	1000	•	•	•	•	•	60-Cold	
Eco Clean	20	3.5	39	0.16	1600					•	20	
Mix	40	3.5	45	0.55	1000	•	•	•	•	•	40-Cold	
Shirts	40	3.5	45	0.55	800	•	•	•	*	•	60-Cold	
expres 14	30	2	35	0.10	1400			•		•	30-Cold	
Daily Express	90	7	60	2.00	1400			•		•	90-Cold	
Daily Express	60	7	60	1.15	1400			•		•	90-Cold	
Daily Express	30	7	70	0.20	1400			•		•	90-Cold	
Woolens	40	1.5	56	0.30	1000			•		•	40-Cold	
Hand wash	30	1	40	0.25	1000						30-Cold	
Darkcare	40	3	82	0.55	1000			*		•	40-Cold	
Self Clean	70	-	100	1.70	800			*			70	
Freshen Up	-	2	20	0.03	1000					•	-	

• : Selectable

* : Automatically selected, not cancellable.

** : Energy Label program (EN 60456)

*** If maximum spin speed of your machine is lower, selection may be made until maximum spin speed.

- : See program description for maximum load.

i The auxiliary functions in the table vary according to the model of your machine.

i Water and power consumption and program duration differ from the table subject to changes in water pressure, water hardness and temperature, ambient temperature, type and amount of laundry, selection of auxiliary functions, and changes in supply voltage.

i Program duration will be displayed on the screen of your machine according to your selection.

Auxiliary functions

Auxiliary function selection

If an auxiliary function that should not be selected together with a previously selected function is chosen, the first selected function will be cancelled and the last auxiliary function selection will remain active.

Ex.: If you want to select pre-wash first and then quick wash, pre-wash will be cancelled and quick wash will remain active.

Auxiliary function that is not compatible with the program cannot be selected. (see, "Program Selection Table")

• Prewash

When you select this function, the display will indicate "F1" symbol.

- A pre-wash is only worthwhile for heavily soiled laundry. Without pre-wash you save energy, water, detergent and time.
- Pre-wash without detergent is recommended for lace and curtains.

• Quick Wash

With this function, the wash time is shortened. "F2" symbol lights up on the display.

- Use this function for smaller amounts or slightly soiled laundries.

• Rinse Plus

When this function is selected, washing and rinsing is performed with plenty of water. "F3" symbol lights up on the display.

• Anti-Creasing

With this function, drum movement will be lessened to prevent creasing and spinning speed is limited. In addition, washing is carried out at a higher water level. "F4" symbol lights up on the display.

- Use this function for delicate laundries that crease easily.

i Whenever you select this auxiliary function, load your machine with half of the maximum laundry specified in the program table.

Time display

The display shows the time remaining for the program to complete while a program is running. Time is displayed in hours and minutes as "01:30".

Time delay

With the "Time delay" function you can delay the program start up to 24 hours. Setting can be made in intervals of 30 minutes.

Open the loading door, place the laundry inside and fill detergent drawer. Set the washing program, temperature, spin speed and, if required, select the auxiliary functions. Press "Time delaying" buttons "+" and "-" to set your desired time delay. The Time delaying symbol will flash. Press "Start/Pause/Cancel" button. Then the time delay starts to count down. The Time delaying symbol will light up. The Start symbol will light up.

The ":" in the middle of the displayed time delay will start to flash.

- More laundry may be loaded or taken out during the time delay period. At the end of the time delay countdown process, time delaying symbol fades and the washing starts as the program duration is displayed.

Changing the delay time

If you want to change the time during the countdown:

Press "Start/Pause/Cancel" button. ":" in the middle of the screen will stop flashing. The Standby symbol will light up. The Time delaying symbol will flash. The Start Symbol will fade. Press "Time delaying" buttons "+" or "-" to set your desired time delay. Press "Start/Pause/Cancel" button. The Time delaying symbol will light up. The Standby symbol will fade. The Start symbol will light up. The ":" in the middle of the displayed time delay will start to flash.

Canceling the time delay

If you want to cancel the time delay countdown and start the program immediately:

Press "Start/Pause/Cancel" button. The ":" in the middle of the displayed time delay will stop flashing. Start symbol will fade. The standby symbol and the time delaying symbol will flash. Press time delaying button "-" to decrease the desired time delay. Program duration after 30 minutes shall be displayed. Press Start/Pause/Cancel Button to start the program.

Starting the Program

Press Start/Pause/Cancel button to start the program. The start symbol which indicates that the program has started will light up. The door locks and the door locked symbol will light up. The Symbol of the relevant step (prewash, main wash, rinse, softener and spin) that the program has started from will light up.

Changing the selections after the program has started

The selected spin speed and program temperature fade out. An empty frame appears.

When the "Program selection" button is brought to the appropriate position, rpm and temperature data reappear.

Switching the machine to standby mode

The machine is switched to standby mode by pressing "Start/Pause/Cancel" button momentarily. The Standby symbol which indicates the machine is in standby mode lights up and the start symbol that shows the program has started and is still continuing fades out.

Selecting or canceling an auxiliary function in pause mode

Auxiliary functions can be cancelled or selected in accordance with the step the program is at.

Adding/removing laundry in pause mode

The door can be opened if the water level is

suitable. The door locked symbol will light up until the door is suitable for opening. This symbol will fade out as soon as the door is allowed to open. Laundry may be added / taken out by opening the door.

Door lock

The Door Locked Symbol lights up when the loading door is locked. This symbol will flash until the door is allowed to open. Do not force the door at this stage. This symbol will fade out as soon as the door is allowed to open. You may open the door after the symbol fades out.

Child-proof lock

Protect the appliance from being tampered by children by means of the child-proof lock. In this case, no change can be made in the running program.

i Your machine can be turned on and off with On/Off button while the child-proof lock is activated. In this case, your machine will resume its program with child-proof lock activated.

The machine is switched to child-lock by pressing the 2nd and 4th auxiliary functions for 3 sec. "C:on" (Child-proof lock is activated) label appears on the display.

The same symbol will also be displayed whenever any button is pressed while the machine is child-locked.

To deactivate the child-proof lock, press the 2nd and 4th auxiliary function buttons for 3 sec.

"C:OFF" (Child-proof lock is deactivated) label appears on the screen.

Ending the program through canceling

"Start/Pause/Cancel" button (Figure 2-10) is pressed for 3 seconds to cancel the program. Start symbol (Figure 3-7j) will flash during cancellation. After cancellation, the symbol of the corresponding step at which the cancellation was made will remain lit and "End" will appear on the screen.

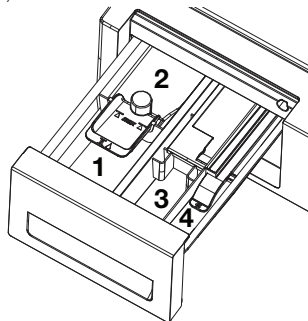
End of program

When the program is finished, the symbols of the relevant steps will remain lit up and the auxiliary function, spin and temperature data selected at the start-up of the program will remain selected. "End" will appear on the display.

5 Maintenance and cleaning

Detergent Drawer

Remove any powder residue buildup in the drawer. To do this;

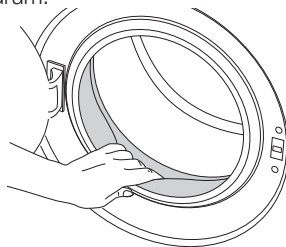


1. You can remove the detergent drawer by pulling it towards yourself strongly.
i If more than a normal amount of softener and liquid detergent mixture starts to remain in the softener compartment, the siphon must be cleaned.
2. Wash the drawer and the siphon with plenty of lukewarm water in a washbasin. Wear protective gloves or use an appropriate brush to avoid touching the residues in the drawer when cleaning.
3. Replace the drawer into its housing after cleaning. Check if the siphon is in its original location.

The loading door and the drum

After each wash:

- Check if there are any foreign substances in the drum.



- Open the hole in the bellow with the aid of a toothpick if it is clogged.
- i** Foreign metal substances in your machine can cause rust stains. In such cases: Clean the drum with a stainless steel cleaning agent. Never use steel wool or wire wool.

Body and control panel

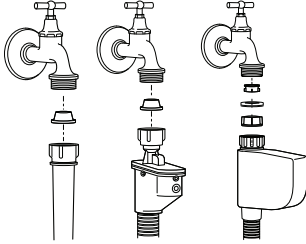
When necessary:

- Wipe the exterior panels of your machine with soapy water or mild detergent. Dry it with a soft cloth.
- Use only a soft and damp cloth to clean the control panel.

- ⚠** Never use a sponge or scrubbing material. These will damage the painted and plastic parts.

Inlet water filters

There is a filter at the end of each water intake valve at the back side of the machine and also at the end of each water intake hose where they are connected to the tap. These filters prevent the foreign substances and dirt in the water to enter into the machine. Filters should be cleaned as they get dirty.



- Close the taps.
- Remove the nuts of the water intake hoses to clean the surfaces of the filters on the water intake valves with an appropriate brush.
- If the filters are very dirty, you can pull them out by means of pliers and clean them.
- Take out the filters on the flat ends of the water intake hoses together with the gaskets and clean thoroughly under streaming water.
- Replace the gaskets and filters carefully to their places and tighten the hose nuts by hand.

Draining any remaining water and cleaning the pump filter

Filter system in your machine prevents solid items such as buttons, coins and fabric fibers clogging the pump propeller during discharging of the washing water. Thus, a good water discharger is achieved and the pump life is extended.

- If your machine fails to drain the water, the pump filter may be clogged. You may have to clean it every 2 years or whenever it is plugged. Water must be drained off to clean the pump filter.

In addition, water may have to be drained off completely in the following cases:

- before transporting the machine (e.g. when moving house)
- when there is the danger of frost

In order to clean the dirty filter and discharge the water;

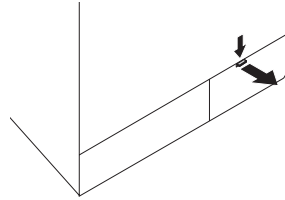
1- Unplug the machine to cut off the supply power.

- ⚠** There may be water at 90°C in the machine. the filter must be cleaned only after the inside water is cooled down to avoid hazard of scalding.

2- Open the filter cap. The filter cap may be composed of one or two pieces according to the model of your machine.

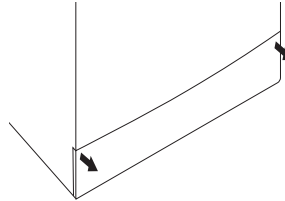
If it is composed of two pieces, press the tab on the filter cap downwards and pull the piece out towards yourself.

- i** If your machine is built-in, then it does not contain a filter cover.



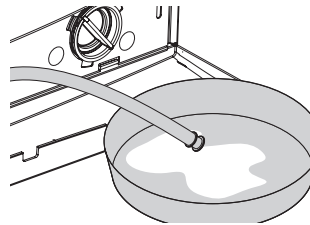
If it is composed of one piece, hold it from both sides and open it by pulling out.

- i** You can remove the filter cover by slightly pushing the kick plate downwards with a screwdriver, through the gap above the filter cover.



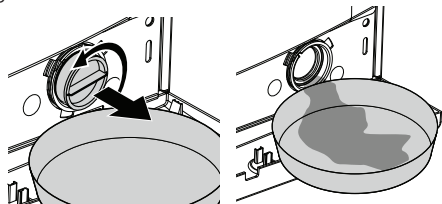
3- An emergency drain hose is supplied with some of our models. Others are not supplied with this item.

If your product is supplied with an emergency drain hose, do the following as shown in the figure below:



- Pull out the pump outlet hose from its housing.
- Place a large container at the end of the hose. Drain the water off into the container by pulling out the plug at the end of the hose. If the amount of water to be drained off is greater than the volume of the container, replace the plug, pour the water out and then resume the draining process.
- After draining process is completed, replace the plug into the end of the hose and fit the hose back into its place.

If your product is not supplied with an emergency drain hose, do the following as shown in the figure below:



- Place a large container in front of the filter to receive water flowing from the filter.
- Loosen pump filter (anticlockwise) until water starts to flow out of it. Direct the flowing water into the container you have placed in front of the filter. You can use a piece of cloth to absorb any spilled water.
- When there is no water left, turn the pump filter until it is completely loose and remove it.
- Clean any residues inside the filter as well as fibers, if any, around the propeller region.
- If your product has a water jet feature, be sure to fit the filter into its housing in the pump. Never force the filter while replacing it into its housing. Fit the filter fully into its housing; otherwise, water may leak from the filter cap.

4- Close the filter cap.

Close the two-piece filter cap of your product by pushing the tab on it.

Close the one-piece filter cap of your product by fitting the tabs on the bottom into their positions and pushing the upper part of it.

6 Solution suggestions for problems

Cause	Explanation / Suggestion
Program cannot be started or selected.	
<ul style="list-style-type: none"> Machine may have switched to self protection mode due to an infrastructure problem (such as line voltage, water pressure, etc.). 	<ul style="list-style-type: none"> Reset your machine by pressing "Start/Pause/Cancel" button for 3 seconds. (see, Canceling a Program)
There is water coming from the bottom of the machine.	
<ul style="list-style-type: none"> There might be problems with hoses or the pump filter. 	<ul style="list-style-type: none"> Be sure the seals of the water inlet hoses are securely fitted. Tightly attach the drain hose to the tap. Make sure that the pump filter is completely closed.
Machine stopped shortly after the program started.	
<ul style="list-style-type: none"> Machine can stop temporarily due to low voltage. 	<ul style="list-style-type: none"> It will resume operating when the voltage is back to the normal level.
It continuously spins. Remaining time does not count down. (For models with a display)	
<ul style="list-style-type: none"> There may be an imbalance of laundry in the machine. 	<ul style="list-style-type: none"> The automatic spin correction system might have been activated due to the unbalanced distribution of the laundry in the drum. The laundry in the drum may be clustered (bundled laundry in a bag). Laundry should be rearranged and re-spun. No spinning is performed when the laundry is not evenly distributed in the drum to prevent any damage to the machine and to its environment.
It continuously washes. Remaining time does not count down. (For models with a display)	
<ul style="list-style-type: none"> In the case of a paused countdown while taking in water: Timer will not countdown until the machine is filled with the correct amount of water. 	<ul style="list-style-type: none"> The machine will wait until there is a sufficient amount of water to avoid poor washing results due to lack of water. Then the timer will start to count down.
<ul style="list-style-type: none"> In the case of a paused countdown at the heating step: Time will not count down until the selected temperature for the program is reached 	
<ul style="list-style-type: none"> In the case of a paused countdown at the spinning step: There may be an imbalance of laundry in the machine. 	<ul style="list-style-type: none"> The automatic spin correction system might have been activated due to the unbalanced distribution of the laundry in the drum. The laundry in the drum may be clustered (bundled laundry in a bag). Laundry should be rearranged and re-spun. No spinning is performed when the laundry is not evenly distributed in the drum to prevent any damage to the machine and to its environment.
There is foaming over the detergent drawer	
<ul style="list-style-type: none"> Too much detergent was used. 	<ul style="list-style-type: none"> Mix 1 tablespoonful softener and ½ liter water and pour into the main wash compartment of the detergent drawer.

7 Specifications

Models	WMI 71241
Maximum dry laundry capacity (kg)	7
Height (cm)	84
Width (cm)	60
Depth (cm)	54
Net Weight (± 4 kg)	69
Electricity (V/Hz.)	230 V / 50Hz
Total Current (A)	10
Total Power (W)	2200
Spinning cycle (rpm max.)	1200

Specifications of this appliance may change without notice to improve the quality of the product. Figures in this manual are schematic and may not match your product exactly.

Values stated on the machine labels or in the documentation accompanying it are obtained in laboratory in accordance with the relevant standards. Depending on operational and environmental conditions of the appliance, values may vary.



This appliance's packaging material is recyclable. Help recycle it and protect the environment by dropping it off in the municipal receptacles provided for this purpose. Your appliance also contains a great amount of recyclable material. It is marked with this label to indicate the used appliances that should not be mixed with other waste. This way, the appliance recycling organised by your manufacturer will be done under the best possible conditions, in compliance with European Directive 2002/96/EC on Waste Electrical and Electronic Equipment. Contact your town hall or your retailer for the used appliance collection points closest to your home. We thank you doing your part to protect the environment.

Dark wash	Dark wash	Synthetics	Cottons	Pre-wash	Main wash	Rinse	Wash	Spin	Delicates	Pet hair removal
Drain	Anti-creasing	Duvet	Child-proof lock	Hand Wash	Baby	Cotton Eco	Woolens	express 14 Super short express	Daily	
Daily express	Rinse hold	Start/Pause	No spin	Quick wash	Finished	Cold	Temperature	Self Clean	Lingerie	
Mixed 40	Super 40	Extra rinse	Freshen up	Shirts	Jeans	Sport	Time delay	Intensive	Fashion care	

1 Varování

Obecné bezpečnostní pokyny

- Nikdy neinstalujte přístroj na podlahu s kobercem. Jinak by nedostatečné proudění vzduchu pod strojem mohlo způsobit přehřívání elektrických součástí. Tím by mohly vzniknout potíže s vaší pračkou.
- Pokud je poškozen napájecí kabel nebo zástrčka, nutně požádejte o opravu autorizovaný servis.
- Pevně zapojte odčerpávací hadici do výstupního otvoru, aby nedošlo k úniku vody a stroj mohl dle potřeby přijímat a vypouštět vodu. Je důležité, aby přívodní a odčerpávací hadice nebyly přehnuté, zmáčknuté nebo rozbité, když spotřebič stěhujete na místo po instalaci nebo čištění.
- Vaše pračka by měla pokračovat v provozu v případě výpadku elektrické energie. Po obnovení přívodu energie pračka neobnoví svůj program. Stiskněte tlačítko "Start/Pauza/Storno" na 3 sekundy pro stornování programu (viz Stornování programu)
- Při přijetí může být ve vaší pračce zbytková voda. Pochází z procesu kontroly kvality a nejde o závadu. Nemůže tím dojít k poškození vaší pračky.
- Některé problémy, které se mohou vyskytnout, mohou být způsobeny infrastrukturou. Stiskněte tlačítko "Start/Pauza/Storno" na 3 sekundy pro stornování programu ve vaší pračce, než zavoláte autorizovaný servis.

První použití

- První prací cyklus provedte bez vložení prádla, jen s pracím práškem a při nastavení programu "Bavlna 90°C".
- Zajistěte, aby instalace teplé a studené vody byla správně provedená.
- Pokud je hlavní jistič nebo proudový chránič omezen na méně než 16 ampér, požádejte kvalifikovaného elektrikáře o nainstalování 16 ampérové pojistky nebo proudového chrániče.
- Při používání s transformátorem nebo bez něj nezapomeňte na správné uzemnění provedené kvalifikovaným elektrikářem. Naše společnost nezodpovídá za škody vzniklé používáním přístroje na vedení bez uzemnění.
- Obaly skladujte mimo dosah dětí nebo je zlikvidujte podle příslušných odpadových směrnic.

Určené použití

- Tento produkt byl vyroben pro domácí použití.
- Spotřebič lze používat k praní a máchání prádla, které je označeno jako vhodné pro praní v pračce.
- Tento spotřebič by neměly používat osoby (včetně dětí) se sníženými fyzickým, smyslovými či duševními schopnostmi, s nedostatkem zkušeností a znalostí, pokud nemají dohled nebo pokyny týkající se

používání spotřebiče, od osoby, jež zodpovídá za jejich bezpečí.

Bezpečnostní pokyny

- Tento spotřebič musí být připojen k uzemněné zástrčce ochráněné pojistkou s vhodnou kapacitou.
- Přívodní a odčerpávací hadice musí být vždy pevně připevněné a v nepoškozeném stavu.
- Před spuštěním spotřebiče připojte pevně odčerpávací hadici k umyvadlu nebo vaně. Jinak hrozí riziko opaření vlivem vysokých teplot při praní!
- Nikdy neotevírejte vkladací dvířka a nevýměňte filtr, když je voda v bubnu.
- Odpojte stroj, když jej nepoužíváte.
- Nikdy neumývejte zařízení proudem vody! Hrozí riziko zásahu elektrickým proudem!
- Nikdy se nedotýkejte zásuvky mokřými rukama. Přístroj nepoužívejte, pokud je napájecí kabel nebo zástrčka poškozena.
- V případě, že vznikne závada, kterou nelze odstranit podle instrukcí v návodu, postupujte následovně:
- Vypněte pračku, odpojte ji ze sítě, uzavřete přívodní kohoutek a kontaktujte autorizovaný servis. Informace o likvidaci stroje vám poskytne místní prodejce nebo středisko sběru tuhých odpadů ve vaší obci.

Pokud máte v domě děti...

- Udržujte děti mimo dosah přístroje, pokud je v provozu. Nedovolte jim hrát si se přístrojem.
- Zavřete vkladací dvířka, když opouštíte místo, kde je pračka instalována.

2 Instalace

Sejmutí výztuh obalů

Nakloňte stroj pro sejmutí výztuh obalů. Sejměte výztuhy obalů tak, že zatáhnete za stuhu.

Odstranění přepravních pojistek

⚠ Před použitím pračky je třeba odstranit přepravní pojistky.

1. Uvolněte všechny šrouby klíčem, dokud jimi nelze volně otáčet ("C")
2. Odstraňte přepravní bezpečnostní šrouby tak, že jimi jemně otočíte.
3. Nasaďte kryty ((dodané v sáčku s Návodem k použití) do otvorů na zadní panelu. ("P")



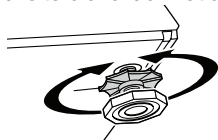
i Uschovejte přepravní bezpečnostní šrouby na bezpečném místě pro další použití, v případě možného přemístění..

i Nikdy nepřemísťujte spotřebič bez řádně upevněných bezpečnostních přepravních šroubů!

Seřízení nožek

⚠ Na uvolnění blokovacích matic nepoužívejte žádné nástroje. Jinak by se mohly poškodit.

1. Ručně povolte blokovací matice na nožkách.

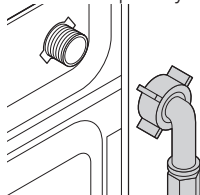


2. Upravujte jejich stav, dokud přístroj nebude ve vodorovné poloze.
3. Důležité upozornění: Po seřízení všechny blokovací matice znovu utáhněte.

Připojení k přívodu vody.

Důležité upozornění:

- Tlak vody nezbytný pro použití stroje musí být 1-10 barů (0,1 – 1 MPa).
- Připojte zvláštní hadice dodávané s pračkou k přírodním ventilům pračky.



- Aby nedošlo k úniku vody v místě spojů, jsou k hadicím připojena těsnění (4 těsnění pro modely s dvojitým vstupem vody a 2 těsnění pro ostatní modely). Tato těsnění použijte na koncích hadice pro připevnění ke kohoutku vody a k pračce. Rovný konec hadice s filtrem musí být připevněn ke kohoutku a konec s loktem připojen k pračce. Pevně utáhněte matice hadice rukou; na matice nikdy nepoužívejte klíče.
- Modely s jediným přívodem vody nepřipojujte ke kohoutku s horkou vodou.

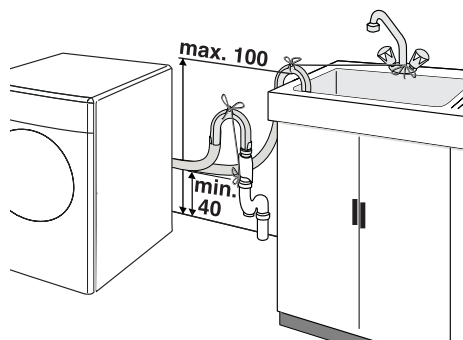
Při vracení spotřebiče na místo po údržbě nebo čištění dávejte pozor, abyste nepřekroutili, nezmačkli nebo nezablokovali hadice.

Připojení k odpadu

Hadici pro odpadní vodu lze připevnit k okraji vany nebo umyvadla. Odpadovou hadici pevně upevněte k odpadu, aby nemohla vypadnout z krytu.

Důležité upozornění:

- Konec odpadové hadice přímo připojte k odpadu nebo do vany.
- Hadici připevněte do výšky nejméně 40 cm a nejvýše 100 cm.
- Pokud je hadice zvednutá poté, co ležela na zemi nebo v její blízkosti (méně než 40 cm nad zemí), je odčerpání vody ztíženo a prádlo může být při vyjímání z pračky mokré.



- Hadici zatlačte do odpadu nejméně 15 cm. Pokud je příliš dlouhá, můžete ji zkrátit.
- Maximální délka spojených hadic nesmí přesahovat 3,2 m.

Elektrické zapojení

Připojte spotřebič k uzemněné zástrčce ochráněné pojistkou s vhodnou kapacitou.

Důležité upozornění:

- Připojení by mělo splňovat místní předpisy.
 - Napětí a povolená ochrana pojistek jsou uvedeny v oddíle "Technické parametry".
 - Stanovené napětí musí být shodné s napětím ve vaší síti.
 - Připojení přes prodlužovací kabely nebo rozdvojky se nedoporučuje.
- ⚠ Poškozený napájecí kabel musí vyměnit kvalifikovaný elektrikář.
- ⚠ Spotřebič nesmíte používat, dokud není důkladně opraven! Hrozí riziko zásahu elektrickým proudem!

3 Počáteční přípravy na praní

Třídění prádla

- Prádlo roztřídte podle typu látky, barvy a stupně zašpinění a povolené teploty vody. Vždy dodržujte pokyny na etiketách oděvů.

Příprava oděvů na praní

Předměty s kovovými částmi, jako jsou podprsenky, spony pásek a kovové knoflíky, mohou poškodit pračku. Kovové části odstraňte nebo umístěte předměty do sáčku, povlaku na polštář nebo podobné pomůcky.

- Vyprázdněte kapsy a vyjměte všechny cizí předměty, jako jsou mince, pera a papírové spony. Pokud možno otočte kapsy naruby a okartáčujte je.
- Malé oděvy jako dětské ponožky a nylonové punčochy vkládejte vždy do pracovního sáčku, povlaku na polštář nebo podobné pomůcky. Předejdete tím také ztrátu oděvů.
- Záclony vkládejte do pračky opatrně. Sejměte lišty a spony záclon.
- Upevněte zipy, přišijte volné knoflíky a spravte trhliny a praskliny.
- Oděvy označené jako "Ize prát v pračce" nebo

“perte v ruce” perte jen s využitím vhodného programu.

- Neperte barevné a bílé prádlo společně. Nové, tmavé bavlněné oděvy mohou pouštět barvu. Perte je odděleně.
- Odolné skvrny je nutné před praním očistit. Pokud si nejste jistí, přeptejte se v čistírně.
- Používejte jen barviva/měniče barev a odstraňovače vodního kamene vhodné pro pračky. Vždy postupujte podle pokynů na obalu.
- Kalhoty a jemné oděvy perte obrácené naruby.
- Prádlo z angorské vlny skladujte před praním několik hodin v mrazničce. Předejete tím šmolkování.
- Prádlo, které je ve styku s materiály, jako je mouka, vodní kámen, sušené mléko atd. je nutno před vložením do pračky protřepat. Tyto druhy prachu na prádle se mohou ukládat ve vnitřních částech stroje a způsobit poškození.

Správná maximální zátěž

Maximální kapacita vkládání závisí na typu prádla, stupni ušpinění a pracím programu, který chcete použít.

i Pračka upraví množství vody podle množství vloženého prádla.

! Dodržuje prosím pokyny v “Tabulce pro výběr programu”. Při přetížení pračky dojde ke snížení účinnosti praní.

Vkládací dvířka

Vkládací dvířka budou uzamčena, když běží program. Dveře lze otevřít pouze chvíli po skončení programu.

- Otevřete dveře.
- Vložte prádlo volně do pračky.
- Zatlačte dvířka, dokud nezacvaknou. Ujistěte se, že ve dveřích nejsou žádné kusy prádla zachycené.

Prací prášky a aviváže

Příhrádka na prací prášek

Zásuvka na prací prášek se skládá ze čtyř různých příhrádek na prášek na hlavní praní, kapalný prostředek na hlavní praní, tekutou aviváž a prášek na předpírku. Každá z těchto přísad se dávkuje automaticky v příslušnou dobu pracího programu. Nevkládejte přísady přímo do bubnu. Vždy používejte zásuvku.

Nezavírejte příhrádku příliš rychle po vložení přísad. Mohlo by tím dojít k příliš rychlému rozvrtění pracích prostředků s následným nežádoucím výsledkem a poškození tkanin.

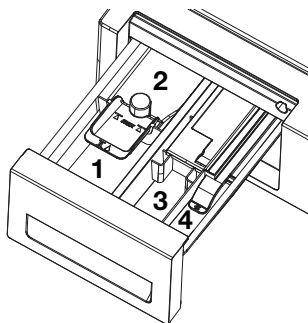
i Neotevírejte příhrádku během pracího programu.

Příhrádky zásuvky na prostředky jsou uvedeny níže:

- 1) Levá příhrádka s číslem "I" (hlavní prací prostor pro prací prášek nebo škrob/ odstraňovač skvrn)
- 2) Levá příhrádka s číslem "II" (hlavní prací

prostor pro tekutý přípravek nebo tekutý odstraňovač skvrn)

- 3) Prostřední prostor s číslem "I" (prostor pro předpírku na prací prášek, prášek na odstraňování skvrn nebo tekutý škrob - tekutý škrob je nutno přidat během předpírky nebo prvního kroku máchání pracího programu). Tekutý škrob je nutno přidat ručně, když přístroj nabírá vodu.
- 4) Pravá příhrádka se symbolem "❀" (příhrádka na tekutou aviváž)



(II) Prostor pro hlavní praní

Před spuštěním programu praní vložte prášek do levé příhrádky s číslem "I". Používejte odměrku výrobce prášku a dodržujte pokyny na obalu. Práškový škrob/odstraňovač skvrn vložte také do této příhrádky.

Vložte tekutý prací prostředek do prostoru pro hlavní praní s číslem "II" před začátkem pracího programu. Tekutý odstraňovač skvrn vložte do této příhrádky.

Vložte navrhané množství tekutého prostředku do levého prostoru se symbolem "II" a zředte na maximální hladinu naplnění (max. II) teplou vodou.

Zejména koncentrované prostředky je nutno ředit teplou vodou; jinak by se časem zanesl odpad. Neplňte prací prostředek nad maximální rysku; jinak by přebytečné množství prostředku dosáhlo na prádlo bez vody a mohlo by způsobit skvrny na oděvech. V tomto případě je nutno naplnit příhrádku znovu. Nevlévejte prostředek přímo na prádlo, což způsobuje skvrny na oděvech.

Prostor pro tekuté aviváže

Vložte navrhané množství tekuté aviváže do levého prostoru se symbolem "❀" a zředte na maximální hladinu naplnění (max. ❀) teplou vodou.

Zejména koncentrované aviváže je nutno ředit teplou vodou; jinak by se časem zanesl odpad. Nenaplňujte aviváž nad maximální rysku; jinak se přebytečné množství aviváže smíchá s vodou na praní a budete muset prostor znovu naplnit. Nevlévejte aviváž přímo na prádlo, což způsobuje

skvrny na oděvech.

Tekutá aviváž se bude dávkovat automaticky při posledním oplachovacím kroku pracího programu.

(I) Prostor pro předpírku

Vložte práškový prostředek na předpírku nebo práškový odstraňovač skvrn do prostřední přihrádky s číslem "1".

Můžete do této přihrádky vložit i tekutý škrob, zatímco přístroj nabírá vodu během předepírky nebo prvního máchání. Přidáním tekutého škrobu ve chvíli, kdy přístroj nabírá vodu, umožníte zředění škrobu před jeho nalitím na oděvy.

Musíte zvolit extra máchání, pokud používáte tekutý škrob v pracím programu. Škrob je nutno odstranit z prádla mácháním; jinak způsobí škrábání na pokožce.

i Přečtěte si pokyny pro dávkování a štítek vašich oděvů, než použijete tekutý škrob.

Škrob

- Přidávejte tekutý škrob, škrob v prášku nebo barvivo do prostoru pro aviváž dle pokynů na obalu.
- Nikdy nepoužívejte aviváž a škrob zároveň v jednom pracím cyklu.
- Po použití škrobu vytřete vnitřek bubny.

Škrob

Pokud v pračce chcete pravidelně používat škrob, doporučujeme zvolit program s předpírkou a přidat škrob na začátku předpírky, bez vkládání pracího prášku do prostoru na předpírku. Nebo můžete zvolit program s extra mácháním a přidat škrob ve chvíli, kdy přístroj nabírá vodu z přihrádky na prací prášek při prvním máchání. Škrob nesměšujte s pracím práškem. Jelikož škrob může způsobit podráždění pokožky, je nutno používat malá množství (např. 1/2 čajové skleničky) a důkladně vymáchat. Nelijte škrob přímo na prádlo a nepoužívejte škrob na barevné prádlo.

Při používání kyslíkových škrobů dodržujte pokyny na obalu a zvolte program s nízkou teplotou.

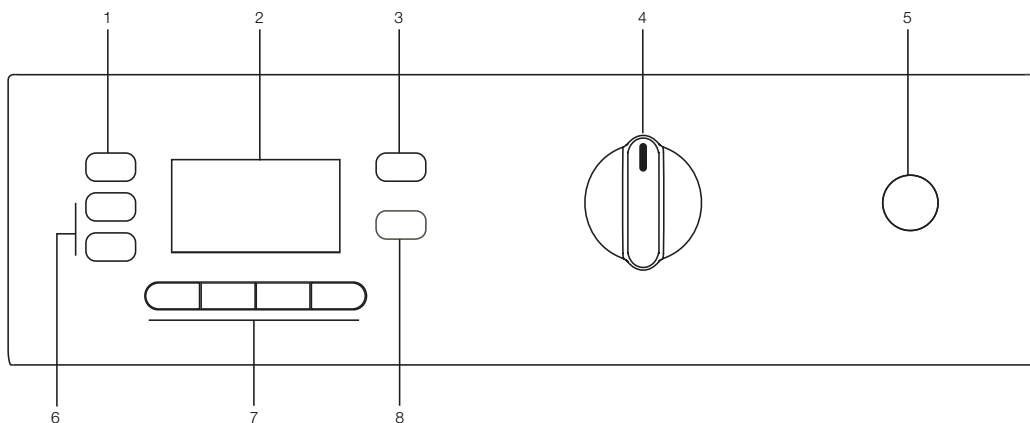
Škrob na bázi kyslíku je možné používat současně s pracím práškem. Pokud však nemá stejnou hustotu jako prací prášek, pak je nutno jej přidat z přihrádky číslo "II" těsně poté, co se prací prášek zpění s vodou.

Omezení tvorby vodního kamene

- Podle potřeby použijte jen vhodné prostředky proti vodnímu kameni vytvořené speciálně pro pračky, a vždy dodržujte pokyny na obalu.

4 Volba programu a ovládání vašeho přístroje

Kontrolní panel



1 - Tlačítko nastavení rychlosti otáček

2 - Displej

3 - Tlačítko nastavení teploty

4 - Tlačítko volby programu

5 - Hlavní vypínač

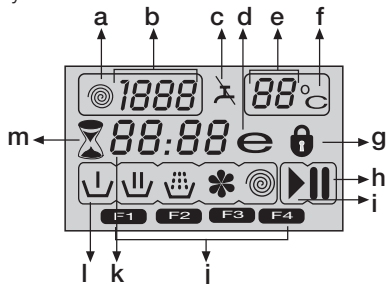
6 - Tlačítko pro odložený start (+/-)

7 - Tlačítka pomocných funkcí

8 - Tlačítko start/pauza/zrušit

Symboly displeje

- a - Symbol ždímnání
- b - Ukazatel rychlosti ždímnání
- c - Symbol odpojení vody (podle modelu vaší pračky)
- d - Symbol úspory
- e - Ukazatel teploty
- f - Symbol teploty
- g - Symbol zablokovaných dvířek
- h - Symbol pohotovostního režimu
- i - Symbol startu
- j - Symboly pomocné funkce
- k - Ukazatel zbývající doby a odloženého startu
- l - Symboly ukazatele programu (předepírka/hlavní praní/máchání/aviváž/ždímnání)
- m - Symbol odloženého startu



Zapínání sušičky

Zapojte pračku do sítě. Zcela otevřete kohoutek. Zkontrolujte, zda jsou hadice pevně připojeny. Vložte do spotřebiče prádlo. Přidejte prací prášek a aviváž. Stiskněte tlačítko spínače.

Volba programu

Zvolte vhodný program z tabulky programů podle typu, množství a stupně zašpinění prádla a pracích teplot.

Otočte tlačítko volby programu k režimu, kterým chcete své prádlo vyprat.

Zobrazí se doporučená teplota a rychlost otáček pro zvolený program. Stiskněte tlačítko "Start/Pauza/Storno", program se spustí.

Hlavní programy

Podle typu textilu jsou dostupné následující hlavní programy.

• Bavlna

S tímto programem můžete prát své odolnější oděvy. Prádlo se vypere díky prudkým pracím pohybům během delšího pracovního cyklu. Doporučuje se pro bavlněné předměty (jako prostěradla, sady povlečení, župany, spodní oděvy, atd.).

• Syntetické

S tímto programem můžete prát své méně odolné oděvy. Tento program používá lehčí prací pohyby a kratší prací cyklus než program "Bavlna". Doporučuje se pro syntetické oděvy (košile, halenky, syntetické/bavlněné směšové oděvy, atd.). U záclon a krajek se doporučuje použít program "Syntetické 40" s předepírkou a funkcí snadného

žehlení. Prací prášek nevkládějte do přihrádky pro předepírání. Do přihrádky pro hlavní praní vkládějte méně prášku, jelikož tkané látky (krajky) tvoří příliš mnoho pěny kvůli své síťované struktuře.

• Vlna

Tímto programem můžete vyprat vlněné oděvy, které lze prát v pračce. Perte po zvolení správné teploty podle štítků na vašich oděvech. Doporučujeme používat vhodné prací prášky na vlnu.

Další programy

Pro zvláštní případy jsou k dispozici i další programy:

i Další programy se mohou lišit podle modelu vaší pračky.

• Bavlna Eco

Prádlo můžete vyprat pomocí programu na praní bavlny během delší doby, což zaručuje velmi dobrý výsledek praní

i Program Bavlna Economy spotřebuje méně energie než jiné programy na bavlnu.

• Babycare

Vyšší hygieny se dosahuje delší dobou ohřevu a dalším cyklem máchání. Doporučuje se pro dětské oděvy a oděvy pro alergieky.

• Ruční praní

S tímto programem můžete prát vlněné/jemné oděvy označené jako "nepřít v pračce" a pro něž je doporučeno ruční praní. Prádlo se vypere velmi jemnými pohyby bez poškození oděvů.

• Daily Express

Tento program se používá k rychlému vyprání menšího počtu lehce ušpiněných a neušpiněných bavlněných oděvů. Např.: župany, povlečení, sportovní oděvy, denní oděvy atd. použité jen jednou.

• expres 14

Tento program se používá k rychlému vyprání menšího počtu lehce ušpiněných a neušpiněných bavlněných oděvů. Např.: župany, povlečení, sportovní oděvy, denní oděvy atd. použité jen jednou.

• Tmavé prádlo

Tento program používejte na praní tmavého prádla nebo barevného prádla, které nemá vyblednout. Tento program vypere vaše prádlo mírnými mechanickými pohyby a při nízké replotě. Doporučujeme používat tekutý prášek nebo přípravek na vlnu pro tmavě zbarvené prádlo.

• Mix

Tento program můžete použít na praní bavlny a syntetiky dohromady. Nemusíte je třídít.

• Kosile

Tento program použijte na praní košil z bavlny, syntetiky a syntetických směsí.

• Osvěžit

Program pro "Osvěžení" můžete použít pro odstranění pachů z prádla, které jste použili jen jednou a na němž nejsou žádné skvrny ani nečistoty.

• Eco Clean

Tento program, který je šetrnější k životnímu prostředí a přírodním zdrojům, můžete použít k vyprání lehce znečištěných bavlněných oděvů (max. 3,5 kg) v krátké době a úsporně. Doporučujeme používat tekuté nebo gelové prací prostředky.

• Self Clean (Čištění bubny)

Doporučujeme spouštět tento program v určitých intervalech (např. jednou za 1 nebo 2 měsíce) pro promytí pračky. Tento program musíte rozhodně používat bez prádla v pračce. Než program spustíte, zkontrolujte, zda je pračka prázdná. Pro účinnější čištění můžete program spustit tak, že přidáte práškový odstraňovač vodního kamene pro pračky do příhrádky II v zásuvce na prací prášky. Po dokončení programu nechte dvířka otevřená, aby vnitřek pračky vyschl.

i Nejedná se o program na praní prádla. Jde o údržbový program pračky.

i Nikdy nepoužívejte tento program, pokud je něco v pračce.

i Při spuštění této funkce vaše pračka automaticky zjistí náklad uvnitř a program přeruší.

Symbol úspory

Zobrazuje programy s úsporou energie a volbu teploty.

Jelikož programy "Intenzivní" a "Hygiena" jsou dlouhé programy s vyšší teplotou pro vyšší hygienu, symbol "Úspory" se nerozsvítí.

Zvláštní programy

Pro konkrétní aplikace můžete použít jakýkoli z následujících programů:

• Máchat

Tento program se používá, když chcete máchat nebo škrobit odděleně.

• Ždímání + Čerpadlo

Tento program provede ždímání na maximální možné otáčky ve výchozím nastavení, jakmile se voda odčerpá z přístroje.

i Pro jemné prádlo použijte nižší otáčky.

Volba teploty

Kdykoli zvolíte nový program, zobrazí se na ukazateli teploty teplota předpokládaná pro daný program (7b).

Pro změnu teploty stisknete tlačítko teploty.

Teplota se snižuje v krocích po 10°.

Volba studené vody se zobrazí se symbolem "°".



90°C	Normálně znečištěná bílá bavlna a plátno (Např.: Ubrusy, ubrousky, ručníky, prostěradla)
60°C	Normálně ušpiněné, neblednoucí barevné prádlo, bavlna nebo syntetika (např.: košile, noční košile, pyžama) a lehce ušpiněné bílé prádlo (např.: spodní prádlo)
40°C 30°C chladné	Směsové tkaniny s obsahem syntetiky a vlny i jemné oděvy.

Volba rychlosti zdímání

Kdykoli zvolíte nový program, zobrazí se na ukazateli rychlosti otáček maximální otáčky ždímání pro zvolení program.

Rychlost otáček snižíte tlačítkem "Ždímání".

Rychlost otáček se postupně snižuje. Pak se zobrazí volba zastavit máchání a neždímat.

Zastavit máchání se zobrazuje se symbolem «» a neždímat se symbolem «».

Pokud nechcete vyjmout prádlo okamžitě po skončení cyklu, můžete použít funkci podržet máchání, abyste zabránili pomačkání vašich oděvů bez přítomnosti vody. Díky této funkci se vaše prádlo ponechá ve vodě z posledního máchání. Pokud chcete vyždímat prádlo po funkci zastavit máchání:"

- Upravte rychlost ždímání.

- Stiskněte tlačítko „Start/Zrušit/Pauza“. Program se obnoví. Vaše pračka odčerpá vodu a vyždímá prádlo.

Můžete použít funkci bez ždímání, pokud chcete odčerpát vodu bez ždímání na konci programu.

Tabulka programů a spotřeby

CZ						Pomocní funkce						Volitelný teplotní rozsah °C
Program (°C)	Max. zátěž (kg)	Spotřeba vody (l)	Spotřeba energie (kWh)	Max. rychlost***	Předpírka	Rychlé praní	Extra máchání	Bez mačkání	Stop ve vodě	Odstranění zvířecích chlupů		
Bavlna	90	7	74	2.30	1600	•	•	•	•	•	90-Chlad	
Bavlna	60	7	72	1.50	1600	•	•	•	•	•	90-Chlad	
Bavlna	40	7	72	0.85	1600	•	•	•	•	•	90-Chlad	
Babycare	90	7	66	2.70	1600			*	•		90-30	
Bavlna Eco	60**	7	52	1.19	1600	•	•	•	•	•	60-Chlad	
Bavlna Eco	40	7	64	0.72	1600	•	•	•	•	•	60-Chlad	
Syntetické	60	3	45	1.00	1000	•	•	•	•	•	60-Chlad	
Syntetické	40	3	45	0.45	1000	•	•	•	•	•	60-Chlad	
Eco Clean	20	3.5	39	0.16	1600				•		20	
Mix	40	3.5	45	0.55	1000	•	•	•	•	•	40-Chlad	
Kosile	40	3.5	45	0.55	800	•	•	•	*	•	60-Chlad	
expres 14	30	2	35	0.10	1400		•		•		30-Chlad	
Daily Express	90	7	60	2.00	1400		•		•		90-Chlad	
Daily Express	60	7	60	1.15	1400		•		•		90-Chlad	
Daily Express	30	7	70	0.20	1400		•		•		90-Chlad	
Vlna	40	1.5	56	0.30	1000		•		•		40-Chlad	
Ruční praní	30	1	40	0.25	1000						30-Chlad	
Tmavé prádlo	40	3	82	0.55	1000			*	•		40-Chlad	
Čištění bubny	70	-	100	1.70	800			*			70	
Osvěžit	-	2	20	0.03	1000				•		-	

• : Lze zvolit

* : Automaticky zvoleno, nelze zrušit.

** : Energetický program (EN 60456)

*** : Pokud je maximální počet otáček vaší pračky nižší, je možno volit až po maximální rychlost ždímní.

- : Viz popis programu pro maximální náplň.

i Pomocné funkce v tabulce se mohou lišit podle modelu vaší pračky.

i Spotřeba vody a energie a trvání programu se mohou lišit od údajů v tabulce podle tlaku vody, tvrdosti a teploty vody, teploty okolí, typu a množství prádla, volby pomocných funkcí a výkyvům v přírodním napětí.

i Délka trvání programu se zobrazí na displeji stroje podle vašeho výběru.

Pomocné funkce

Volba pomocné funkce

Pokud zvolíte pomocnou funkci, která by neměla být volena společně s předem zvolenou funkcí, první zvolená funkce se stornuje a poslední pomocná funkce zůstane aktivní.

Např.: Pokud chcete nejprve zvolit předepírku a pak rychlé praní, předepírka se stornuje a rychlé praní zůstane aktivní.

Pomocnou funkci neslučitelnou s programem nelze zvolit. (viz "Tabulka volby programu")

• Předpírka

Když zvolíte tuto funkci, na displeji se zobrazí symbol "F1".

- Předepírání je vhodné pro silně ušpiněné prádlo. Bez předepírání šetříte energii, vodu, prací prášek a čas.
- Předepírání bez pracího prášku se doporučuje pro krajky a záclony.

• Rychlé praní

Díky této funkci se zkrátí doba praní. Na displeji se rozsvítí symbol "F2".

- Tuto funkci používejte na menší množství nebo lehce ušpiněné prádlo.

• Extra máchání

Když je zvolena tato funkce, provádí se praní a máchání s dostatkem vody. Na displeji se rozsvítí symbol "F3".

• Bez mačkání

Díky této funkci se sníží pohyby bubny, čímž se předejde pomačkání prádla, sníží se otáčky ždímnání. Praní navíc proběhne s vyšším množstvím vody. Na displeji se rozsvítí symbol "F4".

- Tuto funkci použijte na jemné prádlo, které se snadno mačká.

i Kdykoli zvolíte tuto pomocnou funkci, vložte do pračky jen polovinu maximální náplně prádla uvedené v tabulce programů.

Zobrazení času

Na displeji se zobrazuje doba zbývajících pro dokončení programu, zatímco program běží. Čas se zobrazuje v hodinách a minutách jako "01:30".

Odložený start

S pomocí funkce "Odložený start" můžete oddálit spuštění programu až o 24 hodin. Nastavení lze provést v intervalech po 30 minutách.

Otevřete vkládací dvířka, vložte dovnitř prádlo a naplňte přihrádku pro prací prášek. Nastavte program praní, teplotu, rychlost otáček a podle potřeby zvolte pomocné funkce. Stiskem tlačítek "Odložený start" "+" a "-" nastavíte požadované oddálení startu. Symbol zpožděného spuštění začne blikat. Stiskněte tlačítko „Start/Zrušit/Pauza“. Pak začne odpočítávání k okamžiku spuštění. Symbol odloženého spuštění se rozsvítí. Symbol spuštění se rozsvítí.

Symbol ":" uprostřed zobrazovaného času začne blikat.

- Během odpočítávání lze vložit nebo vyjmout další prádlo. Na konci procesu odpočítávání

symbol odložení startu zhasne a zobrazí se délka trvání programu.

Změna doby pro odložený start

Pokud chcete změnit čas během odpočítávání:

Stiskněte tlačítko „Start/Zrušit/Pauza“. ":" uprostřed obrazovky přestane blikat. Symbol pohotovostního režimu se rozsvítí. Symbol zpožděného spuštění začne blikat. Symbol spuštění zhasne. Stiskem tlačítek "Odložený start" "+" a "-" nastavíte požadované oddálení startu. Stiskněte tlačítko „Start/Zrušit/Pauza“. Symbol odložení spuštění se rozsvítí. Symbol pohotovostního režimu zhasne. Symbol spuštění se rozsvítí. ":" uprostřed zobrazovaného času začne blikat.

Stornování odloženého startu

Pokud chcete stornovat odpočítávání zpožděného spuštění a spustit program okamžitě:

Stiskněte tlačítko „Start/Zrušit/Pauza“. Symbol ":" uprostřed zobrazovaného času začne blikat. Symbol spuštění zhasne. Symbol pohotovostního režimu a symbol zpoždění spuštění začne blikat. Stiskem tlačítka odložený startu "-" pro snížení požadovaného odložení startu. Zobrazí se trvání programu po 30 minutách. Stiskněte tlačítko Start/Pauza/Storno, program se spustí.

Spuštění programu

Stiskněte tlačítko Start/Pauza/Storno, program se spustí. Zobrazí se symbol startu, který udává, že program je spuštěn. Dveře se zamknou a symbol zamčení dveří se rozsvítí. Rozsvítí se symbol příslušného kroku (předepírka, hlavní praní, máchání, aviváž a ždímnání), od kterého program začal.

Změna volby po spuštění programu

Zvolená rychlost ždímnání a teplota programu zhasnou. Objeví se prázdný rámeček.

Když přesunete tlačítko "Volba programu" na příslušnou pozici, zobrazí se znovu otáčky a údaje o teplotě.

Přepnutí pračky do pohotovostního režimu

Pračka se přepne do pohotovostního režimu krátkým stiskem tlačítka "Start/Pauza/Storno". Symbol pohotovostního režimu, který udává, že je pračka v pohotovostním režimu, se rozsvítí a symbol startu, který udává, že program se spustil a stále pokračuje, zhasne.

Volba nebo rušení pomocné funkce v režimu pauzy

Pomocné funkce lze stornovat nebo volit podle toho, v jakém kroku se program nachází.

Přidávání/odebírání prádla v režimu pauzy

Dveře lze otevřít, pokud je vhodná hladina vody. Symbol zamčených dveří svítí, než je možné otevřít dvířka. Tento symbol zhasne, jakmile je možné dvířka otevřít. Prádlo lze přidat/vyjmout po otevření dveří.

Zámek dveří

Po uzamčení dveří se rozsvítí symbol Zamčených dveří. Tento symbol bude blikat, než je možné

dveře otevřít. V této fázi neotvírejte dveře násilím. Tento symbol zhasne, jakmile je možné dvířka otevřít. Dveře lze otevřít po zhasnutí symbolu.

Dětský zámek

Spotřebič ochráníte před dětmi pomocí dětského zámku. V tomto případě nelze provést žádnou změnu v probíhajícím programu.

- i** Pračku zapnete a vypnete tlačítkem zapnout/vypnout, když je aktivován dětský zámek. V tomto případě obnoví pračka program s aktivovaným dětským zámekem.

Pračka se přepne do dětského zámku stiskem pomocných funkcí 2 a 4 na 3 sekundy. Na obrazovce se objeví "C:on" (dětský zámek je aktivován).

Tentíž symbol se zobrazí i při každém stisku jakéhokoli tlačítka, je-li pračka uzamčena dětským zámekem.

Dětský zámek deaktivujete stiskem tlačítek pro 2. a 4. pomocnou funkci na 3 s.

Na displeji se zobrazuje "C:OFF" (dětský zámek je vypnutý).

Ukončení programu stornováním

Program stornujete tak, že na 3 sekundy stisknete tlačítko "Start/Pauza/Storno" (obrázek 2-10). Během stornování bude blikat symbol startu (obrázek 3-7j). Po stornování zůstane svítit symbol příslušného kroku, při němž ke stornování došlo, a na obrazovce se objeví "End".

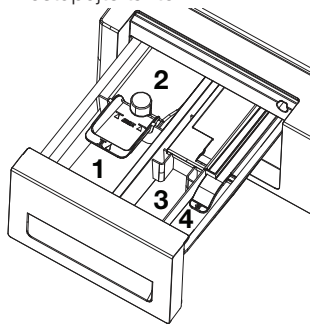
Konec programu

Když program skončí, zůstanou svítit symboly jednotlivých kroků a pomocná funkce, otáčky a údaje o teplotě zvolené při spuštění programu zůstanou zvolené. Na obrazovce se rozsvítí "End".

5 Údržba a čištění

Příhrádka na prací prášek

Odstraňte zbytky prášku nahromaděné v příhrádce. Postupujte takto:



1. Příhrádku na prací prášek můžete vytáhnout tak, že ji silně přitáhnete k sobě.

- i** Pokud se v prostoru pro aviváž začne hromadit více než normální množství směsice tekutého prostředku, je nutné sifon vyčistit.
2. Umyjte příhrádku a sifon dostatečným

množstvím vlažné vody v umyvadle.

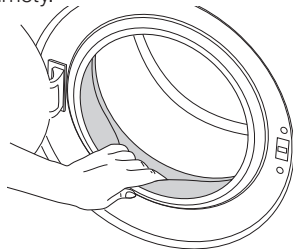
Používejte ochranné rukavice nebo použijte vhodný kartáč, abyste se nedotýkali zbytků v příhrádce během čištění.

3. Vraťte příhrádku zpět na místo. Zkontrolujte, zda je sifon v původní pozici.

Dvířka a buben

Po každém prání:

- Zkontrolujte, zda v bubnu nejsou cizí předměty.



- Otevřete otvor vespodu s pomocí párátko, pokud je ucpaný.
- i** Cizí kovové předměty ve vaší pračce mohou způsobit skvrny od rzi. V takových případech: Buben čistíte přípravkem na nerezavějící ocel. Nikdy nepoužívejte drátěnku nebo drátěnou vlnu.

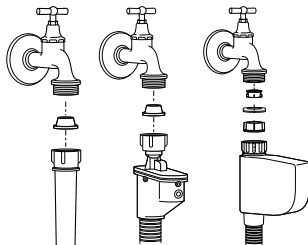
Trup a ovládací panel

Podle potřeby:

- Otřete vnější panely pračky mýdlovou vodou nebo jemným čistícím prostředkem. Otřete do sucha měkkým hadříkem.
 - Používejte jen měkký a navlhčený hadřík pro čištění ovládacího panelu.
- !** Nikdy nepoužívejte houbičku nebo brusný materiál. Ty by mohly poškodit lakované a plastové části.

Filtry přívodu vody

Na konci každého vstupního ventilu na zadní straně stroje je filtr stejně jako na konci každé přívodní hadice v místě připojení ke kohoutku. Tyto filtry brání ve vstupu cizích předmětů a nečistoty z vody do pračky. Filtry je nutné vyčistit, když se ušpiní.



- Zavřete kohoutku.
- Odstraňte matice z přívodních hadic a vyčistěte povrch filtrů na vstupních ventilech pomocí vhodného kartáče.
- Když jsou filtry hodně špinavé, můžete je

vytáhnout kleštěmi a vyčistit.

- Vyměňte filtry na plochem konci přívodních hadic společně s těsněním a vyčistěte je důkladně pod tekoucí vodou.
- Vraťte těsnění a filtry opatrně zpět na místa a utáhněte matice hadic rukou.

Odčerpání zbytkové vody a čištění filtru čerpadla

Filtrační systém vaší pračky brání tomu, aby lopatky čerpadla při odčerpávání vody zablokovaly předměty jako knoflíky, mince a části látky. Tím se dosahuje dobrého odčerpání vody a prodlužuje se životnost čerpadla.

- Pokud vaše pračka neodčerpává vodu, může být ucpaný filtr čerpadla. Je třeba jej čistit každé 2 roky nebo při každém ucpání. Před čištěním filtru čerpadla je nutné odčerpát vodu.

Vodu může být nutné zcela odčerpát i v následujících případech:

- Před přepravou stroje (např. při stěhování)
- Hrozí-li riziko zamrznutí

Pro vyčištění špinavého filtru a odčerpání vody:

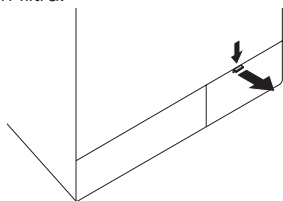
1- Odpojte pračku ze sítě.

⚠ V pračce může být voda o 90°C. Filtr je nutno vyčistit pouze poté, co voda uvnitř vychladne, abyste předešli riziku popálení.

2- Otevřete víko filtru. Víko filtru mohou tvořit jedna až dvě části podle modelu pračky.

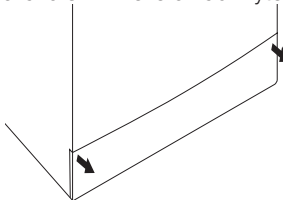
Tvoří-li je dvě části, stiskněte výstupek na víku filtru dolů a vytáhněte část k sobě.

i Pokud je váš přístroj vestavný, není vybaven krytem filtru.



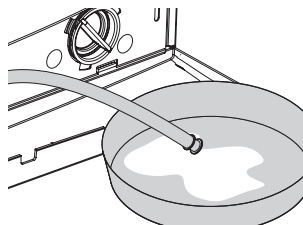
Pokud je z jednoho kusu, přidrže je za obě strany a otevřete je tak, že je vytáhnete ven.

i Kryt filtru můžete odstranit tak, že jemně zatlačíte posuvnou plotničku dolů pomocí šroubováku skrz mezeru nad krytem filtru.



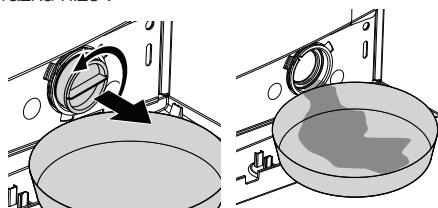
3- U některých modelech se dodává nouzová odčerpávací hadice. Ostatní jsou dodávány bez této položky.

Pokud je váš produkt dodáván s nouzovou odčerpávací hadicí, postupujte podle popisu na obrázku níže :



- Vytáhněte výstupní hadici čerpadla z pouzdra.
- Postavte velkou nádobu na konec hadice. Odčerpejte vodu do nádoby tak, že vytáhněte zátku na konci hadice. Pokud je množství vody k odčerpání větší než objem nádoby, vraťte zpět zátku, vylijte vodu z nádoby a pak proces odčerpávání zopakujte.
- Po skončení procesu odčerpávání vraťte zátku na konec hadice a vraťte ji zpět na místo.

Pokud váš produkt není dodáván s nouzovou odčerpávací hadicí, postupujte podle popisu na obrázku níže :



- Umístěte velkou nádobu před filtr, abyste do ní zachytili vodu vytékající z filtru.
- Povolte filtr čerpadla (doleva), dokud voda nezačne vytékat. Nasměrujte vytékající vodu do nádoby umístěné před filtrem. Rozlitou vodu můžete zachytit pomocí hadru.
- Pokud již nezbyvá žádná voda, otáčejte filtrem čerpadla, až jej zcela uvolníte a lze jej vyjmout.
- Vyčistěte zbytky uvnitř filtru i látky kolem turbíny, pokud tam nějaké jsou.
- Pokud je váš výrobek vybaven funkcí vodního střiku, nepamenejte vrátit filtr na místo v čerpadle. Nikdy netlačte filtr silou zpět na místo. Vraťte filtr na místo; jinak by mohla voda unikat víčkem filtru.

4- Zavřete víko filtru.

Zavřete dvoudílné víko filtru pračky tak, že zatlačíte na výstupek na něm.

Zavřete jednodílné víko filtru pračky tak, že umístíte výstupky vespod na místo a zatlačíte na horní část.

6 Návrhy řešení problémů

Příčina	Vysvětlení/návrh
Program nelze spustit nebo zvolit.	
<ul style="list-style-type: none"> Pračka se mohla přepnout do režimu vlastní obrany vlivem závady infrastruktury (například napětí, tlak vody, atd.). 	<ul style="list-style-type: none"> Opravte pračku stiskem tlačítka “Start/Pauza/Storno” na 3 vteřiny. (viz Stornování programu)
Ze spodní části pračky vytéká voda.	
<ul style="list-style-type: none"> Mohlo dojít k závadě na hadicích nebo vodním čerpadle. 	<ul style="list-style-type: none"> Ujistěte se, že těsnění přívodních hadic je řádně upevněno. Pevně připevněte odčerpávací hadici ke kohoutku. Ujistěte se, že je filtr čerpadla zcela zavřený.
Stroj se zastaví krátce po spuštění programu.	
<ul style="list-style-type: none"> Stroj se může dočasně zastavit kvůli nízkému napětí. 	<ul style="list-style-type: none"> Jakmile se napětí vrátí na normální úroveň, začne znovu pracovat.
Pračka trvale ždímá. Neodpočítává se zbývající čas. (Pro modely s displejem)	
<ul style="list-style-type: none"> V pračce může být nevyváženě vložené prádlo. 	<ul style="list-style-type: none"> Možná se aktivoval systém automatické korekce ždímání vlivem nerovnoměrného rozložení prádla v bubnu. Prádlo v bubnu se mohlo zamotat (smotané prádlo ve vaku). Prádlo znovu rozložte a opakujte ždímání. Neždímá se, když prádlo není rovnoměrně rozloženo v bubnu, brání se tím poškození stroje a jeho okolí.
Pračka trvale pere. Neodpočítává se zbývající čas. (Pro modely s displejem)	
<ul style="list-style-type: none"> V případě pozastaveného odpočítávání při nabírání vody: Časovač neodpočítává, pokud není pračka naplněna správným množstvím vody. 	<ul style="list-style-type: none"> Pračka vyčkává na dostatečné množství vody, aby se předešlo nesprávným výsledkům praní vlivem nedostatečného množství vody. Pak začne odpočítávání.
<ul style="list-style-type: none"> V případě pozastaveného odpočítávání ve fázi zahřívání: Čas se neodpočítává, dokud není dosažena zvolená teplota pro program. 	
<ul style="list-style-type: none"> V případě pozastaveného odpočítávání ve fázi ždímání: V pračce může být nevyváženě vložené prádlo. 	<ul style="list-style-type: none"> Možná se aktivoval systém automatické korekce ždímání vlivem nerovnoměrného rozložení prádla v bubnu. Prádlo v bubnu se mohlo zamotat (smotané prádlo ve vaku). Prádlo znovu rozložte a opakujte ždímání. Neždímá se, když prádlo není rovnoměrně rozloženo v bubnu, brání se tím poškození stroje a jeho okolí.
Ze zásuvky na čisticí prostředek vytéká pěna	
<ul style="list-style-type: none"> Použili jste příliš mnoho čisticího prostředku. 	<ul style="list-style-type: none"> Namíchejte 1 lžičku aviváže a 1/2 litru vody a nalijte ji do zásuvky na hlavní praní v zásuvce na čisticí prostředek.

7 Parametry

Modely	WMI 71241
Maximální kapacita suchého prádla (kg)	7
Výška (cm)	84
Šířka (cm)	60
Hloubka (cm)	54
Vlastní hmotnost (±4 kg)	69
Napětí/frekvence (V/Hz)	230 V / 50Hz
Intenzita (A)	10
Celkový příkon (W)	2200
Cyklus odstředování (max. ot./min)	1200

Parametry tohoto spotřebiče se mohou změnit bez upozornění vlivem zvyšování kvality výrobku. Obrazy v této příručce jsou schematické a nemusí odpovídat přesně vašemu výrobku.

Hodnoty uvedené na štítcích pračky nebo v dokumentaci jsou získávány v laboratorních podmínkách podle příslušných norem. Hodnoty se mohou lišit podle provozních a okolních podmínek spotřebiče.



Obalový materiál spotřebiče je recyklovatelný. Napomozte jej recyklovat a ochraňte životní prostředí jeho předáním do městských center určených pro tento účel.

Váš spotřebič také obsahuje velké množství recyklovatelného materiálu. Je označen touto etiketou, jež znamená, že použité spotřebiče by se neměly směšovat s ostatním odpadem. Recyklace spotřebičů organizovaná vaším výrobcem bude tak provedena v souladu s Evropskou směrnicí 2002/96/EC o Likvidaci elektrického a elektronického vybavení. Kontaktujte městský úřad nebo prodejce kvůli nejbližším bodům recyklace u vašeho bydliště.

Děkujeme za váš příspěvek k ochraně životního prostředí.

Tmavé prádlo	Tmavé prádlo	Syntetické	Bavlna	Předepírání	Hlavní prání	Máchání	Prání	Ždímání	Jemné	Odstranění zvířecích chlupů
Odčerpání	Bez máčkání	Deka	Dětský zámek	Ruční prání	Dětské	Bavlna Eco	Vlna	expres 14 Super krátký expres	Denně	
Denní expres	Podržet máčkání	Start / Pauza	Bez ždímání	Rychlé prání	Hotovo	Chlad	Teplota	Čištění bubny	Spodní prádlo	
Smíšené 40	Super 40	Extra máčkání	Osvěžit	Košile	Džiny	Sport	Odložený start	Intenzivní	Fashion care	

1 Upozorenja

Opća sigurnost

- Nikada nemojte stavljati Vaš stroj na pod prekriven tepihom. Inače nedostatak protoka zraka ispod Vašeg stroja može dovesti do pregrijavanja električnih dijelova. To može dovesti do problema s Vašom perilicom za rublje.
- Ukoliko su strujni kabel ili utikač oštećeni, za popravku morate zvati Ovlašteni servis.
- Stavite crijevo za odvod čvrsto u otvor za odvod da bi se spriječilo curenje vode i da bi stroj mogao po potrebi uzimati i ispuštati vodu. Jako je važno da dovod vode i crijeva za odvod ne budu presavijeni, pritisnuti ili puknuti kad se uređaj stavlja na mjesto nakon ugradnje ili čišćenja.
- Vaša perilica rublja je napravljena tako da nastavi raditi u slučaju nestanka struje. Vaša perilica neće nastaviti s programom kad dođe struja. Pritisnite tipku "Start/Pauza/Opoziv" na 3 sekunde da biste opozvali program (Vidite, Opoziv programa)
- U stroju može biti vode kad ga dobijete. To je zbog kontrole kvalitete i normalno je. To ne šteti Vašoj perilici.
- Neke probleme koje možete imati može prouzročiti infrastruktura. Pritisnite tipku "Start/Pauza/Opoziv" na 3 sekunde da biste opozvali program postavljen u perilici prije nego zovete ovlašteni servis.

Prva uporaba

- Prvi postupak pranja izvedite bez punjenja Vaše perilice i s deterđentom na programu "Pamuk 90°C".
- Kad montirate perilicu, pazite da su priključci na hladnu i toplu vodu točno spojeni.
- Ako je trenutni osigurač slabiji od 16 Ampera, molimo neka kvalificirani električar ugradi osigurač od 16 Ampera.
- Ako je koristite sa ili bez transformatora, neka obavezno kvalificirani električar ugradi uzemljenje. Naša tvrtka neće biti odgovorna za bilo kakva oštećenja do kojih može doći kad se perilica koristi na vodu bez uzemljenja.
- Držite materijale pakiranja dalje od doseg djece ili ih odložite sortiranjem prema uputama o sortiranju smeća.

Namjeravana uporaba

- Ovaj proizvod je napravljen za uporabu u kućanstvu.
- Uređaj se smije koristiti samo za pranje i ispiranje tkanina prema tome kako su označene.

Sigurnosne upute

- Uređaj se mora spojiti na uzemljenu utičnicu zaštićenu osiguračem odgovarajućeg kapaciteta.
- Crijeva za dovod i odvodnju uvijek moraju biti dobro stegnuta i biti neoštećena.
- Namontirajte crijevo za odvodnju na

umivaonik ili kadu prije nego uključite Vašu perilicu. Postoji moguća opasnost od opekline zbog visokih temperature pranja!

- Nikada nemojte otvarati vrata perilice ili vaditi filter dok još ima vode u bubnju.
- Isključite perilicu kad se ne koristi.
- Nikada nemojte prati aparat crijevom za vodu! Postoji opasnost od strujnog udara!
- Nikada nemojte dirati utikač mokrim rukama. Ne uključujte stroj ako su kabel ili utikač oštećeni.
- Za kvarove koji se ne mogu riješiti informacijama iz priručnika za uporabu:
- Isključite aparat, isključite ga iz struje, zatvorite pipu za vodu i javite se ovlaštenom servisu. Možete se javiti Vašem lokalnom komunalnom gospodarstvu ili otpadu u Vašoj općini da biste saznali kako odložiti Vaš aparat.

Ako u vašoj kući ima djece...

- Držite djecu podalje od perilice kad radi. Ne dajte im da diraju perilicu.
- Zatvorite vrata za rublje kad izlazite iz prostora gdje se ona nalazi.

2 Instalacija

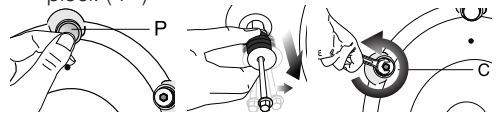
Uklanjanje pojačanja pakiranja

Nagnite stroj da biste uklonili pojačanja pakiranja. Uklonite pojačanje pakiranja povlačenjem trake.

Otvaranje transportnih brava

⚠ Transportni sigurnosni vijci se moraju skinuti prije stavljanja perilice u pogon, inače će se stroj oštetiti!

1. Otpustite sve vijke matičnim ključem dok se ne okreću slobodno ("C")
2. Skinite transportne sigurnosne vijke laganim okretanjem.
3. Stavite poklopce (dostavljene u vrećici s Uputama za uporabu) u rupe na stražnjoj ploči. ("P")



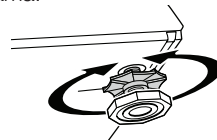
i Držite transportne sigurnosne vijke na sigurnom mjestu da biste ih ponovno koristili kad se perilica bude ponovno prenosila u budućnosti.

i Nikad ne pomičite aparat bez montiranih sigurnosnih vijaka!

Prilagođavanje nogu

⚠ Ne koristite nikakve alate za otpuštanje vijaka za zaključavanje. Inače se mogu oštetiti.

1. Ručno (rukomo) otpustite vijke za zaključavanje na nogama.

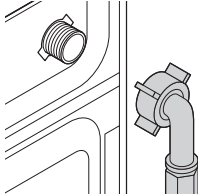


2. Prilagođavajte ih dok stroj ne bude stajao ravno i čvrsto.
3. Važno: Ponovno stegnite sve vijke za zaključavanje.

Spajanje na dovod vode.

Važno:

- Tlak dovoda vode potreban da bi perilica radial mora biti 1-10 bar (0,1 – 1 MPa). (Praktički, morate imati 10 – 80 litara vode koja teče iz pipe u jednoj minuti da bi stroj radio kako treba.)
- Spojite posebna crijeva dostavljena sa strojem na ventil dovoda vode na stroju.



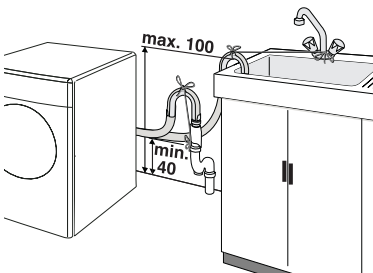
- Da biste spriječili istjecanje vode do kojeg može doći na spojevima, na crijeva su spojene gumene brtve (4 brtve za modele s dvostrukim dovodom vode i 2 brtve za druge modele). Te brtve se trebaju koristiti na krajevima spojeva pipe i stroja. Otvoreni kraj crijeva s montiranim filterom se mora spojiti na stroj. Stegnite vijke crijeva rukom; nikada nemojte koristiti ključeve da biste stegnuli vijke.
- Modeli s jednostrukim dovodom vode se ne smiju spajati na pipu s toplom vodom.

Kad vraćate uređaj na mjesto nakon održavanja ili čišćenja, pazite da ne presavijete, pritisnete ili blokirate crijevo.

Spajanje na odljev

Crijevo za puštanje vode se može staviti na rub umivaonika ili kade. Crijevo za odljev se mora čvrsto stegnuti na odljev da ne izađe iz kućišta. Važno:

- Kraj crijeva se mora spojiti direktno na odljev za vodu ili na umivaonik.
- Crijevo se treba spojiti na visinu od najmanje 40 cm i najviše 100 cm.
- U slučaju da je crijevo dignuto nakon stajanja na podu ili blizu poda (manje od 40 cm iznad zemlje), odljev vode postaje teži i rublje može izaći mokro.



- Crijevo se treba gurnuti u odvod više od 15 cm. Ako je predugo možete ga skratiti.
- Maksimalna duljina kombiniranih crijeva ne smije biti veća od 3.2 m.

Elektroinstalacija

Spojte stroj na uzemljenu utičnicu zaštićenu osiguračem odgovarajućeg kapaciteta.

Važno:

- Spajanje treba biti u skladu s nacionalnim odredbama.
- Napon i dozvoljena zaštita osiguračem su naznačene u dijelu "Tehničke specifikacije".
- Naznačeni napon mora biti jednak naponu Vaše struje.
- Ne smijete se priključivati preko produžnih kabela ili razvodnika.
- ⚠ Oštećeni strujni kabel mora zamijeniti ovlašteni električar.
- ⚠ Uređaj se ne smije uključivati dok se ne popravi! Postoji opasnost od strujnog udara!

3 Prve pripreme za pranje

Sortiranje rublja

- Sortirajte rublje prema vrsti tkanine, boji tome koliko je prljavo te dopuštenoj temperaturi vode. Uvijek se držite savjeta na etiketama.

Priprema odjeće za pranje

Rublje s metalnim dodacima kao što su grudnjaci, kopče remena i metalni gumbi mogu oštetiti stroj. Izvadite metalne dijelove ili stavite predmete u vreću za pranje, jastučnicu ili slično.

- Ispraznite džepove i uklonite predmete kao što su kovanice, olovke i spajalice za papir, ako je moguće, izokrenite džepove.
- Stavite male predmete kao što su dječje čarape i najlonske čarape u vreću za pranje, jastučnicu ili nešto slično. To će također spriječiti gubljenje rublja.
- Zavjese stavlajte u stroj pažljivo. Uklonite zakačke za zavjese.
- Zakopčajte patent zatvaračem zašijte labave gumbe i zakrpajte poderane i pohabane dijelove.
- Perite proizvode označene s "perivo u perilici" ili "perivo na ruke" samo na odgovarajućem programu.
- Ne perite bijelo i obojano rublje skupa. Novo tamno pamučno rublje može ispustiti puno boje. Perite ih posebno.
- Tvrdokorne mrlje se moraju odgovarajuće tretirati prije pranja. Ako niste sigurni, provjerite sa kemijskom čistionicom.
- Koristite samo one boje/promjene boje i sredstva protiv kamenca za strojno pranje. Uvijek se držite uputa na pakiranju.
- Hlače i osjetljivo rublje perite okrenute.
- Držite rublje napravljeno od angore u škrinji nekoliko sati prije pranja. To će smanjiti otpadanje.

- Rublje koje je bilo izloženo materijalima kao što su brašno, kamenac, prašina, mlijeko u prahu itd se moraju dobiti istresti prije stavljanja u stroj. Takav prah na rublju može se nakupiti na unutarnjim dijelovima stroja i može uzrokovati oštećenje.

Odgovarajući kapacitet punjenja

Maksimalni kapacitet punjenja ovisi o vrsti rublja, stupnju prljavosti i programu pranja koji želite koristiti.

i Uređaj podešava količinu vode prema količini rublja koje je stavljeno unutra.

! Molimo držite se informacija iz "Tablice za izbor programa". Rezultati pranja će biti lošiji ako je stroj pretovaren.

Vrata za punjenje

Vrata za punjenje će biti blokirana dok program radi. Vrata se mogu otvoriti tek kad program dođe do kraja.

- Otvorite vrata za punjenje.
- Stavite rublje u stroj bez guranja.
- Gurnite vrata za punjenje dok čvrsto ne kliknu na mjesto. Pazite da u vratima nema zahvaćenih predmeta.

Deterdženti i omekšivači

Ladica deterdženta

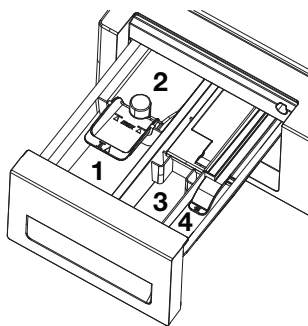
Ladice deterdženta vašeg stroja se sastoje od četiri različita odjeljka za prašak deterdženta za glavno pranje, tekućeg omekšivača i praška deterdženta za pretpranje. Svaki od tih dodataka za pranje se automatski raspršuje u odgovarajućem vremenu tijekom programa pranja. Ne stavljajte dodatke za rublje direktno u bubanj. Uvijek koristite ladicu za deterdžent.

Ne zatvarajte ladicu prebrzo nakon stavljanja dodataka za rublje. Zbog toga se aditivi mogu raspršiti rano, te može doći do neodgovarajućih rezultata pranja i oštećenja tkanine.

i Ne otvarajte ladicu tijekom programa pranja.

Odjeljci ladice za deterdžent su označeni dolje:

- 1) Lijevi odjeljak s brojem "II" (Odjeljak za glavno pranje za prašak deterdženta ili izbjeljivač/sredstvo za uklanjanje mrlja u obliku praška)
- 2) Lijevi odjeljak s brojem "II" (Odjeljak za glavno pranje za tekući deterdžent ili izbjeljivač/sredstvo za uklanjanje mrlja u obliku tekućine)
- 3) Srednji odjeljak s brojem "I" (odjeljak pretpranja za prašak deterdženta, sredstvo za uklanjanje mrlja u obliku praška ili izbjeljivač u obliku tekućine - izbjeljivač u obliku tekućine se mora dodati ili tijekom pretpranja ili tijekom koraka ispiranja na programu pranja). Tekući izbjeljivač se mora dodavati ručno dok stroj uzima vodu.
- 4) Desni odjeljak sa znakom "❁" (odjeljak tekućeg omekšivača)



(II) Odjeljak glavnog pranja

Prije početka programa pranja, stavite deterdžent u prašku u lijevi odjeljak s brojem "II". Koristite čašicu za mjerenje deterdženta od proizvođača i slijedite upute na pakiranju. Izbjeljivač/sredstvo za uklanjanje mrlja u obliku praška se također moraju staviti u ovaj odjeljak.

Stavite tekući deterdžent u glavni odjeljak za pranje s brojem "II" prije početka programa pranja. Tekuće sredstvo za uklanjanje mrlja se također mora staviti u ovaj odjeljak.

Stavite predloženu količinu tekućeg deterdženta u lijevi odjeljak sa znakom "II" i razblažite da do crte maksimalnog punjenja (max. II) toplom vodom.

Posebno koncentrirani deterdženti se moraju razblažiti toplom vodom, inače se s vremenom sifon može začepiti.

Ne punite deterdžent iznad oznake za maksimalno punjenje; inače će višak deterdženta doći do rublja bez vode, što može uzrokovati mrlje na odjeći. U tom ćete slučaju morati ponovno napuniti odjeljak. Ne ulijevajte deterdžent izravno na rublje jer to može uzrokovati mrlje na odjeći.

Odjeljak za tekući omekšivač

Stavite predloženu količinu tekućeg omekšivača u lijevi odjeljak sa znakom "❁" i razblažite da do crte maksimalnog punjenja (max. ❁) toplom vodom.

Posebno koncentrirani omekšivači se moraju razblažiti toplom vodom, inače se s vremenom sifon može začepiti.

Ne punite omekšivač iznad crte maksimalnog punjenja; inače će se višak omekšivača pomiješati s vodom za pranje i morat ćete ponovno napuniti odjeljak. Ne ulijevajte omekšivač izravno na rublje jer to može uzrokovati mrlje na odjeći.

Tekući omekšivač će biti raspršen automatski na glavnom koraku ispiranja programa pranja.

(I) Odjeljak za pretpranje

Stavite prašak deterdženta za pretpranje ili prašak sredstva za otklanjanje mrlja u srednji odjeljak s brojem "I".

U ovaj odjeljak također možete staviti tekuće bjelilo

dok stroj uzima vodu tijekom pretpranja ili prvog koraka ispiranja. Dodavanje tekućeg bjelila dok stroj uzima vodu omogućava mu razrjeđivanje prije nego se ulije na rublje.

Ako koristite tekuće bjelilo u programu pranja, morate odabrati opciju dodatnog ispiranja. Bjelilo se mora ukloniti s rublja s ispiranjem; inače može uzrokovati svrab na koži.

i Prije uporabe tekućeg bjelila, pažljivo pročitajte upute o doziranju i oznaku vaše odjeće.

Škrob

- Dodajte tekuću štirku, prašak štirke ili boju u odjeljak omekšivača kako je prikazano na pakiranju.
- Nikada ne koristite omekšivač tkanine i štirku skupa u istom ciklusu pranja.
- Nakon uporabe štirke, obrišite unutrašnjost bubnja.

Bjelila

Ako želite koristiti obično bjelilo u vašem stroju, preporučujemo da odaberete program s korakom pretpranja i dodate bjelilo na početku pretpranja,

stavljajući deterdžent i odjeljak pretpranja. Alternativno, preporučamo da odaberete program s dodatnim ispiranjem i dodate bjelilo dok stroj uzima vodu iz ladice deterdženta u prvom koraku ispiranja. Bjelilo se ne smije miješati s deterdžentom. Kako bjelilo može uzrokovati iritaciju kože, smiju se koristiti male količine (npr. 1/2 šalice za kavu) i dobro isprati. Ne stavljajte bjelilo direktno na rublje i ne koristite ga s obojenim rubljem.

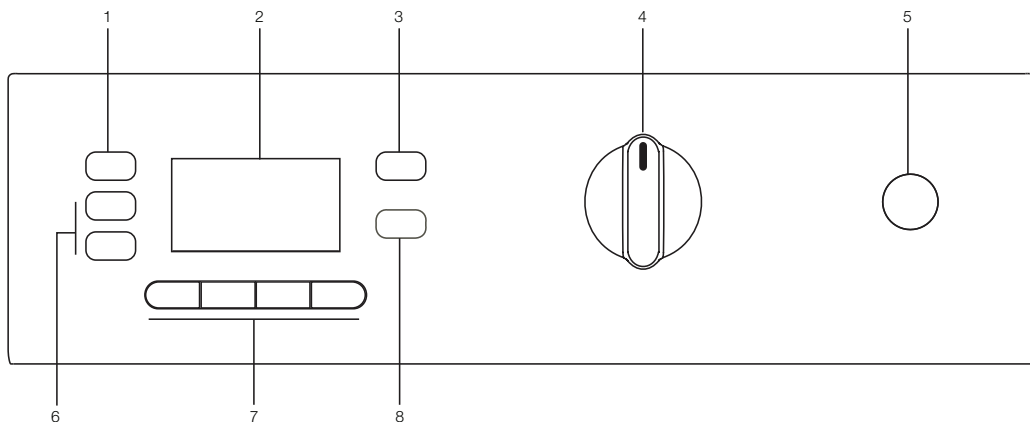
Kad koristite bjelilo zasnovano na kisiku, slijedite upute na pakiranju i odaberite program pri niskoj temperaturi. Bjelilo zasnovano na kisiku se može koristiti zajedno s deterdžentom. Međutim, ako nije jednako gusto kao deterdžent, mora se dodati s odjeljka broj "II" odmah nakon što deterdžent stvori pjenu s vodom.

Uklanjanje nakupina kamenca

- Po potrebi koristite samo odgovarajuća sredstva za uklanjanje kamenca, posebno za perlice i uvijek slijedite upute na pakiranju.

4 Odabir programa i rad s Vašim aparatom

Upravljačka ploča

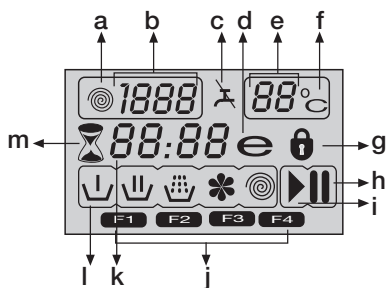


- 1 - Tipka za postavljanje brzine centrifuge
- 2 - Prikaz
- 3 - Tipka za postavljanje temperature
- 4 - Tipka za izbor programa

- 5 - Tipka za uključivanje/isključivanje
- 6 - Tipka za odgodu vremena (+/-)
- 7 - Tipke dodatnih funkcija
- 8 - Tipka za Start/Pauzu/Opoziv

Simboli prikaza

- a - Znak za centrifuge
- b - Indikator brzine centrifuge
- c - Znak prekida vode (prema modelu vašeg stroja)
- d - Znak za ekonomski način
- e - Indikator temperature
- f - Znak temperature
- g - Znak za zaključana vrata
- h - Znak za pasivni način rada
- i - Znak za početak
- j - Znakovi za dodatne funkcije
- k - Indikator preostalog vremena i odloženog vremena
- l - Znakovi indikatora programa (pretpranje/ glavno pranje/ispiranje/omekšivač/centrifuga)
- m - Znak za vremensku odgodu



Uključivanje stroja

Uključite stroj u struju. Otvorite pipu do kraja. Provjerite jesu li crijeva čvrsto spojena. Stavite rublje u stroj. Dodajte deterdžent i omekšivač. Pritisnite gumb za "Uključivanje/isključivanje".

Odabir programa

Odaberite odgovarajući program iz tablice programa prema vrsti i prljavosti rublja i temperaturama pranja.

Stavite tipku za odabir programa na način rada programa na kojem želite oprati Vaše rublje.

Pojavit će se preporučena temperature i brzina centrifuge za odabrani program. Pritisnite tipku "Start/Pauza/Opoziv" da biste uključili program.

Glavni programi

Ovisno o vrsti tekstila, dostupni su sljedeći glavni programi:

• Pamuk

Ovim programom možete prati izdržljivu odjeću. Vaše rublje će biti oprano jakim pokretima pranja tijekom duljeg ciklusa pranja. Preporuča se za vaše rublje od pamuka (kao što su plahete, pokrivači za poplun i jastučnice, kućne haljine, donje rublje, itd.).

• Sintetika

Ovim programom možete prati Vašu manje

osjetljivu odjeću. U usporedbi s programom "Pamuk" koristi nježnije kretnje u pranju i kraći ciklus pranja. Preporuča se za Vašu sintetičku odjeću (kao što su košulje, bluze, odjeća od sintetičke/miješano s pamukom, itd.). Za zavjese i čipku, preporuča se izbor programa "Sintetika 40" s pretpranjem i funkcijom protiv gužvanja. Deterdžent se ne smije stavljati u pretinac za pretpranje. U glavni pretinac za pranje se treba staviti manje deterdženta jer se meko pletene tkanine (čipka) previše pjene zbog svoje mrežaste strukture.

• Vuna

Na ovom program možete prati Vaše vuneno rublje koje se pere u perilici. Pere izborom odgovarajuće temperature prema etiketi na Vašoj odjeći.

Preporuča se uporaba odgovarajućeg deterdženta za vunu.

Dodatni programi

Za posebne slučajeve, postoje također i dodatni programi:

i Dodatni program se mogu razlikovati prema modelu vaše perilice.

• Pamuk Eko

Možete prati svoje rublje na programima za pamuk dulje, što omogućava vrlo dobro pranje.

i Ekonomični pamuk program troši manje energije od drugih programa za pamuk.

• Babycare

Dodatnu higijenu pruža dulji period grijanja i dodatni ciklus ispiranja. Preporuča se za dječju odjeću i odjeću koju nose alergičari.

• Ručno pranje

Na ovom program možete prati Vašu vunenu/osjetljivu odjeću koja ima etiketu "ne pere se u perilici" za koje se preporuča ručno pranje. Pere rublje jako opreznim pokretima pranja bez oštećenja Vaše odjeće.

• Daily Express

Ovaj se program koristi za brzo pranje malog broja malo prljave pamučne odjeće bez mrlja. Npr.: kućni ogrtač, prekrivači popluna, sportska odjeća, dnevna odjeća itd. korišteni samo jednom.

• ekspres 14

Ovaj se program koristi za brzo pranje malog broja malo prljave pamučne odjeće bez mrlja. Npr.: kućni ogrtač, prekrivači popluna, sportska odjeća, dnevna odjeća itd. korišteni samo jednom.

• Pranje tamnog

Koristite ovaj program za pranje vašeg rublja tamnijih boja ili za rublje u boji za koje ne želite da vam izbljedi. Ovaj program pere vaše rublje s malo mehaničkih kretanja i pri niskoj temperaturi. Preporučujemo da koristite tekući deterdžent ili šampon za vunu za tamnije rublje.

• Mix

Ovaj program možete koristiti za pranje pamuka i sintetičke skupa. Nema potrebe da ih sortirate.

• Shirts

Ovaj program možete koristiti za pranje košulja od pamuka, sintetike i sintetičkih mješavina.

• Osvežavanje

možete koristiti program za "Osvežavanje" za uklanjanje rublja koje se koristi samo jednom i nema mrlje ni prljavštinu na sebi.

• Eko čišćenje (Eco Clean)

Možete koristiti ovaj program, koji je osjetljiviji na okolinu i prirodne izvore, za pranje malo zaprljanog pamučnog rublja bez mrlja (najviše 3,5 kg) za kratko vrijeme i na ekonomičan način. Preporučuje se da koristite tekuće ili gel deterdžente za pranje.

• Čišćenje bubnja

Preporučuje se da pokrenete ovaj program u određenim intervalima (npr. jednom u 1 ili 2 mjeseca) za samočišćenje vašeg stroja. Ovaj program se obavezno mora pokrenuti bez rublja u perilici. Pazite da je stroj prazan prije pokretanja programa. Za učinkovito čišćenje, možete pokrenuti program dodavanjem sredstva za uklanjanje kamenca za perlice u odjeljak II ladice za deterdžent. Kad program bude gotov, ostavite vrata odškrinuta da biste dozvolili da se unutrašnjost stroja osuši.

i Ovo nije program za pranje rublja. Ovo je program za održavanje stroja.

i Nikada nemojte koristiti ovaj program ako se nešto nalazi u vašem stroju.

i Kad se pokrene ova značajka, vaš stroj automatski osjeti opterećenje unutar nje, i ukoliko postoji, prekida program.

Znak za ekonomski način

Pokazuje programe za uštedu energije i izbor temperature.

Kako su program "Intenzivni" i "Higijenski" dugi programi s izborom više temperature da bi se osigurala higijena, znak "Ekonomični način" neće zasvijetliti.

Posebni programi

Za posebne primjene, možete odabrati bilo koji od sljedećih programa:

• Ispiranje

Ovaj program se koristi kad hoćete posebno ispiranje ili dodavanje štirke.

• Centrifuga + Pumpa

Ovaj program ima centrifuge s najvećim mogućim brojem okr./min. u unaprijed zadanim postavkama nakon što se voda odlije iz stroja.

i Za osjetljivo rublje trebate koristiti nižu brzinu centrifuge.

Izbor temperature

Kad god izaberete novi program, temperatura predviđena za taj program će se pojaviti na oznaci temperature (7b).

Da biste promijenili temperaturu, pritisnite tipku "Temperatura". Temperatura se smanjuje zap o 10°.

Izbor hladnog je prikazan sa znakom "-".

90°C	Normalno prljavo, bijeli pamuk i lan. (Npr.: Prekrivači za stolice, stolnjaci, posteljina);
60°C	Normalno prljavo odjeća od lana, pamuka ili sintetike koja ne blijedi (Npr. košulje, spavačice, pidžame) i malo prljavo odjeća od bijelog lana (Npr. donje rublje)
40°C 30°C hladno	Miješana odjeća uključujući sintetiku i vunu kao i osjetljivo rublje.

Izbor brzine centrifuge

Kad god se izabere novi program, maksimalna brzina centrifuge odabranog programa je prikazana na indikatoru brzine centrifuge.

Da biste smanjili brzinu centrifuge, pritisnite tipku "Centrifuga". Brzina centrifuge se postupno smanjuje. Zatim se prikazuju opcije zadržavanje ispiranja i bez centrifuge.

Zadržavanje centrifuge je prikazano s "L" a bez centrifuge se prikazuje pomoću simbola "·".

Ako ne želite izvaditi Vašu odjeću odmah nakon programa, možete koristiti funkciju zadržavanje ispiranja da biste spriječili gužvanje Vaše odjeće kad je bez vode. Pomoću ove funkcije, Vaše rublje ostaje u vodi zadnjeg ispiranja. Ako hoćete uključiti centrifuge nakon funkcije zadržavanja ispiranja:

- Prilagodite brzinu centrifuge.
- Pritisnite tipku "Start/Pauza/Opoziv". Program se nastavlja. Vaš stroj izlijeva vodu i obavlja centrifugu.

Možete koristiti funkciju bez centrifuge da biste izlili vodu bez centrifuge na kraju programa.

Tablica programa i potrošnje

HR						Pomoćna funkcija						Raspon temperature koji se može odabrati u °C
Program (°C)		Maks. opterećenje (kg)	Potrošnja vode (l)	Potrošnja energije (kWh)	Maks. Brzina	Prepranje	Brzo pranje	Dodatno ispiranje	Protiv gužvanja	Zadržavanje ispiranja	Uklanjanje dlaka od kućnih ljubimaca	
Pamuk	90	7	74	2.30	1600	•	•	•	•	•	•	90-Hladno
Pamuk	60	7	72	1.50	1600	•	•	•	•	•	•	90-Hladno
Pamuk	40	7	72	0.85	1600	•	•	•	•	•	•	90-Hladno
Babycare	90	7	66	2.70	1600			*		•		90-30
Pamuk Eko	60**	7	52	1.19	1600	•	•	•	•	•	•	60-Hladno
Pamuk Eko	40	7	64	0.72	1600	•	•	•	•	•	•	60-Hladno
Sintetika	60	3	45	1.00	1000	•	•	•	•	•	•	60-Hladno
Sintetika	40	3	45	0.45	1000	•	•	•	•	•	•	60-Hladno
Eco Clean	20	3.5	39	0.16	1600					•		20
Mix	40	3.5	45	0.55	1000	•	•	•	•	•	•	40-Hladno
Shirts	40	3.5	45	0.55	800	•	•	•	*	•		60-Hladno
ekspres 14	30	2	35	0.10	1400			•		•		30-Hladno
Daily Express	90	7	60	2.00	1400			•		•		90-Hladno
Daily Express	60	7	60	1.15	1400			•		•		90-Hladno
Daily Express	30	7	70	0.20	1400			•		•		90-Hladno
Vuna	40	1.5	56	0.30	1000			•		•		40-Hladno
Ručno pranje	30	1	40	0.25	1000							30-Hladno
Pranje tamnog	40	3	82	0.55	1000			*		•		40-Hladno
Čišćenje bubnja	70	-	100	1.70	800			*				70
Osvježavanje	-	2	20	0.03	1000					•		-

• : Može se odabrati

* : Automatski se bira, ne može se opozvati.

** : Program oznake energije (EN 60456)

*** Ako je maksimalna brzina centrifuge vašeg stroja manja, možete birati do maksimalne brzine centrifuge.

- : Za maksimalno punjenje, pogledajte opis programa.

i Pomoćne funkcije u tablici se mogu razlikovati prema modelu Vaše perilice.

i Potrošnja vode i struje o trajanje programa se može razlikovati od onih prikazanih u tablici, ovisno o promjenama u tlaku vode, tvrdoći vode i temperaturi, temperature okoline, vrsti i količini rublja, izboru dodatnih funkcija i promjenama u naponu struje.

i Trajanje programa će biti prikazano na zaslonu vašeg stroja prema vašem odabiru.

Pomoćne funkcije

Izbor dodatnih funkcija

Ako se izabere pomoćna funkcija koja se ne može odabrati skupa s prethodno odabranom funkcijom, funkcija koja je prva odabrana će biti opozvana a zadnja odabrana pomoćna funkcija će ostati aktivna.

Npr.: Ako hoćete prvo odabrati pretpranje i zatim brzo pranje, pretpranje će biti opozvano a brzo pranje će ostati aktivno.

Pomoćna funkcija koja nije kompatibilna s programom se ne može odabrati. (pogledajte "Tablica izbora programa")

• Pretpranje

Kad odaberete ovu funkciju, prikaz će pokazivati znak "F1".

- Pretpranje se isplati samo za jako prljavo rublje. Bez pretpranja štedite struju, vodu, deterdžent i vrijeme.
- Pretpranje bez deterdženta se preporuča za čipku i zavjese.

• Brzo pranje

Pomoću ove funkcije, skraćuje se vrijeme pranja. Na prikazu će se pokazati znak "F2".

- Koristite ovu funkciju za manje količine ili malo prljavo rublje.

• Dodatno ispiranje

Kad se odabere ova funkcija, pranje i ispiranje se obavlja s dosta vode. Na prikazu će se pokazati znak "F3".

• Protiv gužvanja

Pomoću ove funkcije, smanjit će se kretanje bubnja da bi se spriječilo gužvanje a centrifuga je ograničena. Osim toga, pranje se provodi na višoj razini vode. Na prikazu će se pokazati znak "F4".

- Koristite ovu funkciju za osjetljivo rublje koje se lako gužva.

i Kad god odaberete ovu pomoćnu funkciju, napunite Vaš stroj s pola maksimalne količine rublja koja je navedena u tablici programa.

Prikaz vremena

Displej pokazuje vrijeme koje je preostalo da se program završi dok program traje. Vrijeme je prikazano u satima i minutama kao "01:30".

Odgoda vremena

Pomoću funkcije "Odgoda vremena" možete odgoditi početak programa do 24 sata. Postavke se mogu odrediti u intervalima od 30 minuta.

Otvorite vrata za stavljanje rublja, stavite rublje unutra i stavite deterdžent u ladicu. Postavite program za pranje, temperaturu, brzinu centrifuge i ako je potrebno odaberite pomoćne funkcije. Pritisnite tipke "Odgoda vremena" "+" i "-" da biste postavili traženu odgodu vremena. Bljeskat će znak za odgodu vremena. Pritisnite tipku "Start/Pauza/Opoziv". Onda odgoda vremena počne s odbrojanjem. Zasljetit će znak za odgodu vremena. Zasljetit će znak "Start".

“.” U sredini prikazane odgode vremena će početi treptati.

- Za vrijeme odgode vremena može se dodavati još rublja ili ga vaditi van. Na kraju postupka odbrojanja odgode vremena, znak odgode vremena izbljedi i počinje pranje kad se prikaže trajanje programa.

Promjena vremena odgode

Ako za vrijeme odbrojanja hoćete promijeniti vrijeme:

Pritisnite tipku "Start/Pauza/Opoziv". “.” u sredini ekrana će prestati bljeskati. Zasljetit će znak "Čekanje". Bljeskat će znak za odgodu vremena. Znak za početak će izbljediti. Pritisnite tipke "Odgoda vremena" "+" ili "-" da biste postavili traženo vrijeme odgode. Pritisnite tipku "Start/Pauza/Opoziv". Zasljetit će znak za odgodu vremena. Znak za čekanje će izbljediti. Zasljetit će znak "Start". Znak “.” U sredini prikazane odgode vremena će početi treptati.

Opoziv odgode vremena

Ako želite opozvati odbrojanje odgode vremena i odmah uključiti program:

Pritisnite tipku "Start/Pauza/Opoziv". “.” U sredini prikazanog vremena odgoda vremena će prestati treptati. Znak za početak će izbljediti. Znak za čekanje i znak za odgodu vremena će bljeskati. Pritisnite tipku za odgodu vremena "-" da biste smanjili željenu odgodu vremena. Prikazat će se trajanje programa nakon 30 minuta. Pritisnite tipku "Start/Pauza/Opoziv" da biste uključili program.

Uključivanje programa

Pritisnite tipku "Start/Pauza/Opoziv" da biste uključili program. Znak za početak označava da je program započeo. Zasljetit će znak za zaključavanje vrata i znak za zaključana vrata. Zasljetit će znak odgovarajućeg koraka (pretpranje, glavno pranje, ispiranje, omekšivač i centrifuga) s kojim je program započeo.

Promjena odabira nakon što je program započeo

Odabrana brzina centrifuge i temperature programa nestanu. Pojavljuje se prazni okvir. Kad se tipka "Izbor programa" stavi na odgovarajući položaj, ponovno će se pojaviti podaci o o./min i temperaturi.

Prebacivanje stroja na pasivni režim rada

Uređaj se trenutno prebacuje na režim za čekanje pritiskom na tipku "Start/pauza/opoziv". Znak za čekanje koji označava da je uređaj u režimu za čekanje zasljetit a uređaj za početak koji pokazuje da je program započeo i još traje izbljedi.

Odabir ili opoziv pomoćne funkcije u načinu rada "Pauza".

Pomoćne funkcije se mogu opozvati ili izabrati u ovisno o tome na kojem je koraku program.

Dodavanje/vađenje rublja u režimu rada "Pauza"

Vrata se mogu otvoriti ako je razina vode odgovarajuća. Znak za zaključana vrata će svijetliti dok se vrata ne budu mogla otvoriti. Znak će

izbljediti čim se vrata budu mogla otvoriti. Rublje se može dodavati / vaditi otvaranjem vrata.

Zaključavanje vrata

Znak za zaključavanje vrata se uključuje kad se vrata za punjenje zaključaju. Ovaj znak će se paliti i gasiti dok se vrata ne budu smjela otvoriti. Ne vucite vrata u tom vremenu. Znak će izbljediti čim se vrata budu mogla otvoriti. Možete otvoriti vrata nakon što symbol nestane.

Brava koju djeca ne mogu otvoriti

Zaštite uređaj da ga djeca ne diraju pomoću brave za djecu. U ovom slučaju, u radu programa neće doći do nikakve promjene.

i Vaš uređaj se može uključiti i isključiti tipkom za uključivanje/isključivanje dok je uključeno zaključavanje zbog djece. U tom će slučaju vaš uređaj nastaviti s programom dok se ne uključi zaključavanje zbog djece.

Stroj se prebacuje na zaključavanje zbog djece pritiskom na 2. i 4. pomoćnu funkciju na 3 s. Na ekranu će se pojaviti znak "C:on" (Zaključavanje zbog djece uključeno).

Isti simbol će se također prikazati kad god se pritisne bilo koja tipka dok je zaključavanje zbog djece uključeno.

Da biste isključili zaključavanje zbog djece, pritisnite iste tipke na 3 sekunde.

Na zaslonu se pojavljuje oznaka "C:OFF" (zaključavanje zbog djece isključeno).

Završavanje programa opozivom

Pritisnite tipku "Start/Pauza/Opoziv" (Slika 2-10) na 3 sekunde da biste opozvali program. Znak za početak (Slika 3-7j) će se paliti i gasiti za vrijeme opoziva. Nakon opoziva, znak odgovarajućeg koraka na kojem je došlo do opoziva će ostati upaljen i na ekranu će se pojaviti "End".

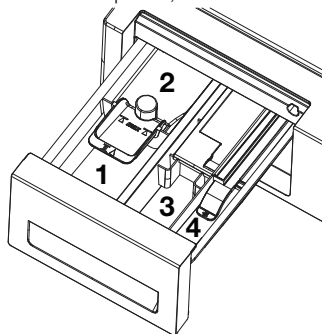
Kraj programa

Kad program bude gotov, simboli odgovarajućih koraka će ostati upaljeni a pomoćna funkcijam centrifuga i podaci o odavranjanoj temperaturi će ostati odabrani. "End" će se pojaviti na displeju.

5 Održavanje i čišćenje

Ladica deterdženta

Uklonite sve zaostale nakupine deterdženta u ladici. Da biste to napravili;



1. Možete skinuti ladicu za deterdžent jakim izvlačenjem prema sebi.

i Ako se u odjeljku za omekšivač i tekući deterdžent počne nakupljati više mješavine vode i omekšivača nego obično, sifon se mora očistiti.

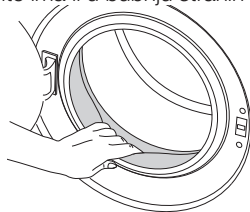
2. Operite ladicu raspršivača i sifon u umivaoniku s puno mlake vode. Nosite zaštitne rukavice ili koristite odgovarajuću četku da biste izbjegli dodirivanje ostataka u ladici tijekom čišćenja.

3. Nakon čišćenja vratite ladicu u njeno kućište. Provjerite je li sifon na svom mjestu.

Vrata za punjenje i bubanj

Nakon svakog pranja:

- Provjerite ima li u bubnju stranih predmeta.



- Otvorite rupu u unutrašnjosti pomoću čačkalice, ukoliko je začepljena.

i Strana tijela od metala mogu u vašem stroju uzrokovati mrlje od hrđe. U takvim slučajevima:

očistite bubanj sredstvom za čišćenje nehrđajućeg čelika. Nikad ne koristite čeličnu vunu ili žičani jastučić.

Tijelo i kontrolna ploča

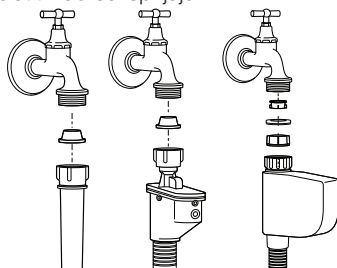
Po potrebi:

- Očistite vanjske ploče vašeg stroja vodom sa sapunicom ili blagim deterdžentom. Osušite mekom krpom.
- Koristite samo meku i vlažnu krpu za čišćenje kontrolne ploče.

! Nikada ne koristite spužvu s materijalom za ribanje. To će očistiti obojene i plastične dijelove.

Filteri dovoda vode

Na kraju svakog ventila za dovod vode na stražnjoj strani stroja in a kraju svakog crijeva za dovod vode nalazi se filter. Ti filteri sprječavaju ulaženje stranih tijela i prljavštine iz vode u stroj. Filteri se trebaju čistiti kad se isprlja.



- Zatvorite pipe.

- Izvadite matice crijeva za dovod vode da biste očistili površine filtara na ventilima za dovod vode odgovarajućom četkom.
- Ako su filtri jako prljavi, možete ih izvući pomoću kliješta i očistiti ih.
- Izvadite filtere na ravnim krajevima crijeva za dovod vode skupa s brtvama i dobro ih očistite pod tekućom vodom.
- Pažljivo vratite brtvila i filter na njihova mesta i zavrnite matice crijeva rukom.

Odljev sve preostale vode i čišćenje pumpe filtra

Sustav filtera u vašem stroju sprječavaju ulazak krutih predmeta kao što su gumbi, kovanice i vlakna tkanine i začepljivanje propelera pumpe tijekom izbacivanja vode pranja. Tako se postiže dobro izbacivanje vode i produljuje se vijek trajanja pumpe.


- Ako Vaša perilica ne uspije izbaciti vodu, filtar pumpe može biti začepljen. Možda ćete ga morati čistiti svake 2 godine ili kad god bude začepljen. Da biste očistili filtar pumpe morate izbaciti vodu.

Osim toga, vodu ćete morati u potpunosti izbaciti u sljedećim slučajevima:

- prije transporta perilice (npr. Kod preseljenja)
- kad postoji opasnost od zamrzavanja


Da biste očistili prljavi filtar i ispuštili vodu;

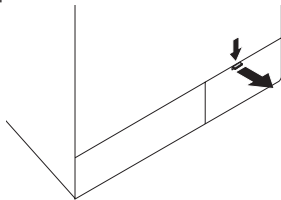
1- Isključite perilicu da biste prekinuli dovod el. energije.

 U perilici može biti voda od 90°C. Zato se filtar smije čistiti samo nakon što se voda unutra ohladila da biste izbjegli opasnost od opeklina.


2- Otvorite pipu filtra. Kapica filtra se može sastojati od jednog ili dva dijela prema modelu Vaše perilice.

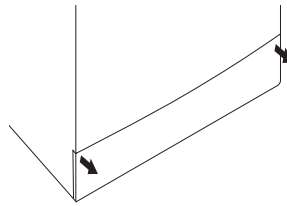
Ako se sastoji od dva dijela, pritisnite tabulator na kapici filtra prema dolje i povucite dio van prema vama.

 Ako je vaš uređaj ugradbeni, onda ne sadrži poklopac filtra.



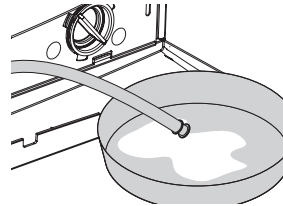
Ako se sastoji od jednog dijela, držite s obje strane i otvorite povlačenjem van.

 Možete ukloniti poklopac filtra tako da lagano gurnete tipsku pločicu prema dolje pomoću odvijača, kroz otvor iznad poklopca filtra.



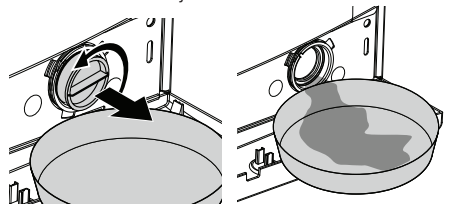
3- S nekim modelima dolazi odljevno crijevo za hitne slučajeve. Drugi modeli ne dolaze s njim.

Ako je s Vašim proizvodom dostavljeno crijevo za odljev za hitne slučajeve, napravite sljedeće kako je pokazano na slici dolje:



- Povucite crijevo izlaza pumpe iz kućišta.
- Stavite veliki spremnik na kraj crijeva. Izbacite vodu u spremnik povlačenjem čepa na kraju crijeva. Ako je količina vode koja se izbacuje veća od volumena posude, vratite čep, izlijte vodu iz nje, zatim nastavite s postupkom izbacivanja vode.
- Nakon završetka postupka odlijevanja vode, vratite čep na kraj crijeva i vratite ga nazad na mjesto.

Ako s Vašim proizvodom nije dostavljeno crijevo za hitne slučajeve, napravite sljedeće kako je prikazano na slici dolje:



- Stavite veliki spremnik ispred filtra da biste primili vodu koja teče iz filtra.
- Otpustite filtar pumpe (u smjeru obrnutom od kazaljki na satu) dok voda ne počne istjecati iz njega. Usmjerite vodu koja teče u spremnik koji ste stavili ispred filtra. Prolivenu vodu možete upokupiti krpom.
- Kad ne ostane ništa vode, okrećite filtar pumpe dok ne bude potpuno slobodan i izvadite ga.
- Očistite sav talog u filtru, kao i vlakna oko propelera ako ih ima.
- Ako Vaš proizvod ima vodene mlaznice, pazite da stavite filtar u kućište pumpe. Nikada ne gurajte filtar dok ga vraćate u kućište. Stavite filtar u kućište do kraja; inače iz kapice filtra

može istjecati voda.
 4- Zatvorite kapicu filtra.
 Zatvorite kapicu filtra u dva dijela na Vašem
 proizvodu pritiskom na pločicu na njoj.

Zatvorite kapicu filtra iz jednog dijela na Vašem
 proizvodu stavljanjem pločice na njihove položaje i
 pritiskom na njen gornji dio.

6 Prijedlozi za rješavanje problema

Razlog	Objašnjenje /Prijedlog
Program se ne može uključiti ili odabrati.	
<ul style="list-style-type: none"> Perilica se možda prebacila u režim samozaštite zbog problema infrastrukture (kao što su napon, tlak vode, itd.). 	<ul style="list-style-type: none"> Resetirajte Vaš uređaj pritiskom na tipku “Start/Pauza/Opoziv” na 3 sekunde. (pogledajte Opoziv programa)
Voda izlazi ispod perilice.	
<ul style="list-style-type: none"> Moguće da postoji problem s crijevima ili filtrom pumpe. 	<ul style="list-style-type: none"> Pazite da brtve crijeva za dovod vode stoje kako treba. Čvrsto stegnite crijevo za odljev vode na pipu. Pazite da je filter pumpe zatvoren do kraja.
Perilica je stala ubrzo nakon početka programa.	
<ul style="list-style-type: none"> Perilica može privremeno stati zbog pada napona. 	<ul style="list-style-type: none"> Nastavit će s radom kad se napon bude vratio na normalnu razinu.
Stalno vrši centrifugu. Preostalo vrijeme se ne računa. (Za modele s prikazom)	
<ul style="list-style-type: none"> Moguće da u perilici postoji neravnoteža s rubljem. 	<ul style="list-style-type: none"> Sustav za automatsku korekciju centrifuge se moguće aktivirao zbog neuravnotežene raspodjele rublja u bubnju. Rublje u bubnju može biti sakupljeno (sakupljeno rublje u vreći). Rublje se treba ponovno preraspodijeliti i ponovno uključiti centrifugu. Centrifuga ne radi kad rublje nije raspodijeljeno ravnomjerno u bubnju da bi se spriječilo oštećenje stroja i njegove okoline.
Stalno pere. Preostalo vrijeme se ne računa. (Za modele s prikazom)	
<ul style="list-style-type: none"> U slučaju zaustavljanja odbrojavanja za vrijeme uzimanja vode: Tajmer neće odbrojavati dok perilica ne uzme dovoljnu količinu vode. 	<ul style="list-style-type: none"> Perilica će čekati dok u njoj ne bude dovoljne količine vode da bi izbjegla slabe rezultate pranja zbog nedostatka vode. Zatim će tajmer početi s odbrojavanjem.
<ul style="list-style-type: none"> U slučaju da se odbrojavanje zaustavi na zagrijavanju: Vrijeme se neće odbrojavati dok se ne dostigne odabrana temperatura za program 	
<ul style="list-style-type: none"> U slučaju pauziranog odbrojavanja na centrifugi: Moguće da u perilici postoji neravnoteža s rubljem. 	<ul style="list-style-type: none"> Sustav za automatsku korekciju centrifuge se moguće aktivirao zbog neuravnotežene raspodjele rublja u bubnju. Rublje u bubnju može biti sakupljeno (sakupljeno rublje u vreći). Rublje se treba ponovno preraspodijeliti i ponovno uključiti centrifugu. Centrifuga ne radi kad rublje nije raspodijeljeno ravnomjerno u bubnju da bi se spriječilo oštećenje stroja i njegove okoline.
Curi pjena preko ladice za deterdžent	
<ul style="list-style-type: none"> Korišteno je previše deterdženta. 	<ul style="list-style-type: none"> Pomiješajte 1 žlicu omekšivača i ½ litre vode i ulijte u glavni odjeljak za pranje u ladici za deterdžent.

7 Specifikacije

	WMI 71241
Maksimalni kapacitet (kg)	7
Visina (cm)	84
Širina (cm)	60
Dubina (cm)	54
Neto masa (±4 kg)	69
Energetski zahtjevi (V/Hz)	230 V / 50Hz
Nominalna struja (A)	10
Snaga (W)	2200
Brzina centrifuge (o./min.)	1200

Specifikacije na ovom uređaju mogu se promijeniti bez upozorenja da bi se poboljšala kvaliteta proizvoda. Slike u ovom priručniku su shematskei možda neće odgovarati u potpunosti Vašem proizvodu.

Vrijednosti navedene na oznakama na stroju ili u pratećoj dokumentaciji su dobivene u laboratoriju u skladu s odgovarajućim standardima. Ovisno o uvjetima rada i okoline uređaja, vrijednosti mogu biti različite.



Ovaj proizvod nosi oznaku selektivnog razvrstavanja za odbačene električne i elektroničke uređaje (WEEE).

To znači da se s proizvodom mora postupati prema Europskoj smjernici 2002/96/EC da bi se reciklirao ili rastavio da bi se smanjio njegov utjecaj na okoliš. Za dodatne informacije, molimo javite se vašim lokalnim ili regionalnim vlastima.

Elektronski uređaji koji nisu uključeni u ovaj proces selektivnog razvrstavanja su potencijalno opasni za okoliš i ljudsko zdravlje zbog prisutnosti štetnih tvari.

Pranje tamnog rublja	Pranje tamnog rublja	Sintetika	Pamuk:	Pretpranje	Glavno pranje	Ispiranje	Pranje	Centrifuga	Osjetljivo	Uklanjanje dlaka od kućnih ljubimaca
Cijedenje	Protiv gužvanja	Prekrivač	Brava koju djeca ne mogu otvoriti	Ručno pranje	Za bebe	Pamuk eko	Vuna	ekspres 14 Super kratko ekspresno	Svakodnevno	
Sva-kodnevno ekspresno	Zadržavanje ispiranja	Start / Pauza	Bez centrifuge	Brzo pranje	Gotovo	Hladno	Temperatura	Čišćenje bubnja	Donje rublje	
Miješano 40	Super 40	Dodatno ispiranje	Osvježavanje	Košulje	Traperice	Sport	Odgoda vremena	Intenzivni	Fasion care	

1 Предпазни мерки

Обща безопасност

- Никога не поставяйте пералнята на под, покрит с килим. В противен случай възпрепятстването на достъпа на въздух отдолу може да доведе до прегряване на електрическите части и проблеми с пералната Ви машина.
- Ако захранващият кабел или шепсел са повредени, се свържете с оторизирания сервиз за ремонт.
- Наместете внимателно маркуча за източване в отводното гнездо за да избегнете изтичане на вода, като същевременно позволите на пералнята правилно да вкарва и изкарва вода. Много е важно маркучите за входяща и изходяща вода да не се прегънат, притиснат или пречупят при преместването на пералнята след нейното инсталиране или почистване.
- Вашата перална машина е настроена да продължи работата си след прекъсване на електрическото захранване. Пералнята няма да започне програмата отначало след възобновяване на захранването. Натиснете бутона **Старт/Пауза/Отказ** за 3 секунди за да откажете програмата (Виж “Отказ на програма”)
- Възможно е, при получаването на пералнята Ви, в нея да има известно количество вода, останало след процедурите за качествен контрол. Това е нормално и не вреди на пералнята Ви.
- Може възникналите проблеми да са причинени от външен проблем. Натиснете бутона **Старт/Пауза/Отказ** за 3 секунди за да откажете програмата, зададена в пералнята, преди да се обадите в оторизирания сервиз.

Първо ползване

- При първото ползване на пералната машина сложете перилен препарат без да зареждате пералнята с пране и пуснете на програма “Памучни тъкани 90°C”
- Уверете се, че отводите за топла и студена вода са свързани правилно при инсталацията.
- Ако бушонът или прекъсвачът Ви са под 16 Ампера, моля повикайте квалифициран електротехник да инсталира 16-Амперов бушон или прекъсвач.
- При употреба с или без трансформатор, уверете се, че заземяването на инсталацията е извършено от квалифициран електротехник. Фирмата ни не носи отговорност за повреди, възникнали в следствие на включване на пералнята в незаземен контакт.
- Дръжте опаковъчните материали от пералнята далеч от деца или ги изхвърлете в съответствие с изискванията за разделно изхвърляне на отпадъци.

Желателна употреба

- Този уред е предназначен за домашна употреба.
- Този уред може да се ползва за пране и изплакване само на текстилни тъкани, означени по съответния начин.

Инструкции за безопасност

- Уредът трябва да бъде свързан към заземен контакт, защитен с предпазител с подходящ капацитет.

- Маркучите за входяща и изходяща вода трябва винаги да са надлежно свързани и невредими.
- Поставете внимателно изходящия маркуч в мивката или ваната преди да стартирате пералнята. Съществува риск от изгаряне поради високите температури на пране!
- Никога не отваряйте вратата на пералнята за да извадите филтъра ако в резервоара има останала вода.
- Извадете щепсела от контакта когато не ползвате машината.
- Никога не мийте пералнята с маркуч за вода! Съществува риск от електрически удар!
- Никога не пийте щепсела с мокри ръце. Не използвайте пералнята ако захранващият кабел или щепсел са повредени.
- При неизправности, за които информацията в това ръководство не дава решение:
- Изключете пералнята, извадете щепсела от контакта, затворете крана за водата и се свържете с оторизирания сервиз. Може да се обърнете към местния агент или голям център за събиране на отпадъци в общината Ви, за да се информирате по какъв начин да изхвърлите пералнята.

Ако в дома си имате деца...


- Дръжте децата далеч от пералнята когато тя работи. Не им позволявайте да си играят с пералната машина.
- Затваряйте вратата на пералнята когато не се намирате близо до нея.

2 Инсталация

Отстраняване на подсилващите опаковъчни материали


Наклонете пералнята за да отстраните подсилващите опаковъчни материали като издърпате опаковъчната лента.

Отваряне на болтовете за транспортиране

 Болтовете за обезопасяване при транспортиране трябва да бъдат свалени преди работа с пералната машина! В противен случай ще повредите пералнята!


1. Разхлабете винтовете с гаечен ключ докато започнат да се въртят свободно (“С”)
2. Отстранете винтовете за обезопасено пренасяне като ги развийте внимателно.
3. Наместете капачките (намират се в пакета с упътването) в дупките от винтовете на задния панел. (“P”)



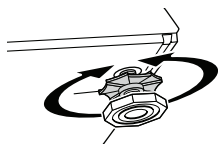
-  Съхранявайте болтовете за обезопасено транспортиране, за да може да ги ползвате отново ако се налага пренасяне на пералнята в бъдеще.

-  Никога не пренасяйте пералнята без да сте завили правилно болтовете по местата им!

Регулиране на крачетата

 Не използвайте никакви уреди за разхлабване на контрагайките. В противен случай може да ги повредите!

1. Разхлабете ръчно (с ръка) контрагайките на крачетата.

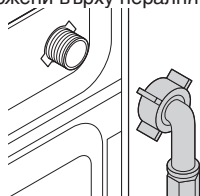


2. Нагласете ги така, че пералнята да бъде нивелирана и стабилна.
3. Важно: Затегнете отново всички контрагайки.

Свързване към водното захранване

Важно:

- Необходимото водно налягане за работа на пералнята трябва да е 1-10 бара (0,1 – 1 мегапаскала).
- Свържете специалните маркучи, които се доставят заедно с пералната машина, към входящите отвори за водно захранване, разположени върху пералнята.



- За да се избегнат течове, които могат да възникнат по местата на свързка, са осигурени гумени уплътнители (4 уплътнителя за моделите с двойно водно захранване и 2 уплътнителя за другите модели), закрепени към маркучите. Тези уплътнители се поставят на двата края на маркуча, откъм крана и откъм пералнята. Правият накрайник на маркуча, оборудван с филтър, се свързва с крана, а кривият накрайник се свързва с пералнята. Затегнете добре гайките на маркуча с ръка; никога не използвайте гаечен ключ за завиването им.
- Моделите с единично водно захранване не се свързват с кран с топла вода.

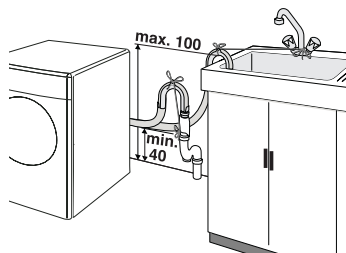
Когато връщате уреда на мястото му след ремонт или почистване, трябва да внимавате да не прегънете, притиснете или блокирате маркучите.

Свързване към отводнителната система

Маркучът за изходящата вода може да се прикрепя към страничната стена на кухненска мивка или вана. Изходящият маркуч трябва да се закрепят стабилно в отводнителната тръба за да не се изскубне от гнездото си.

Важно:

- Накрайникът на изходящия маркуч трябва да е свързан директно с канала за мръсна вода или мивката.
- Маркучът трябва да се инсталира на най-малко 40 см и най-много 100 см височина.
- В случай, че маркучът е повдигнат след като е поставен на нивото на земята (по-малко от 40см над земята), източването на водата се затруднява и прането може да остане мокро.




- Поне 15см от маркуча трябва да се намират в отводната тръба. Ако е твърде дълъг, може да го скъсите.
- Максималната дължина на свързаните маркучи не трябва да надвишава 3,2 метра.


Свързване към електрическата инсталация

Уредът трябва да бъде свързан към заземен контакт, защитен с предпазител с подходящ капацитет.

Важно:

- Свързването трябва да е направено в съответствие с държавните стандарти.
- Волтажът и допустимата защита на бушона са уточнени в раздел "Техническа спецификация".
- Посоченото напрежение трябва да отговаря на напрежението на Вашата електрическа мрежа.
- Свързването не бива да се прави с удължители и разклонители.

 Повреден захранващ кабел трябва да се подмени от оторизиран квалифициран електротехник.

 Не използвайте пералнята, ако тя е в неизправност! Съществува риск от електрически удар!

3 Първоначална подготовка за пране

Сортиране на прането

- Сортирайте прането според вида на тъканите, цвета, степента на замърсяване и допустимата температура на пране.
- Винаги спазвайте инструкциите на етикетите на дрехите.

Пгиготвяне на дгехите за пгане

Металните части в прането, като закопчалки на сутини или катарамы на колани могат да повредят пералнята Ви. Махнете металните части или поставете дрехите в чанта, калъфка за възглавница или друга опаковка.

- Изпразнете джобовите и извадете всички предмети, като напр. монети, химикалки, кламери. Ако е възможно, изкарайте джобовите навън и ги изчеткайте.
- Поставете дребното пране като бебешки или найлонови чорапи и др. в торбичка за пране, калъфка от възглавница или друга опаковка. Това ще предпази прането Ви и от загубване.
- Пердетата трябва да се слагат много внимателно в машината. Свалете всички кукички за корнизата от пердетата.
- Закопчайте циповете, зашийте разхлабени копчета и скъсани и разпорени места.
- Перете дрехи, означени с етикети "за машинно пране" или "за ръчно пране", само със

съответната за тях програма.

- Не перете цветно и бяло пране заедно. Нови, тъмни дрехи могат да пуснат много боя. Перете ги отделно.
- Труднопочистващите се петна трябва да се обработят по подходящ начин преди изпиране. Ако не сте сигурни, проверете със сух почистващ препарат.
- Използвайте бои, оцветители и избелващи вещества, подходящи за машинно пране. Винаги спазвайте инструкциите върху опаковката им.
- Перете панталоните и деликатните дрехи обърнати от опаката страна.
- Сложете дрехите от ангорска вълна за няколко часа във фризера преди пране. Това ще намали появата на мъхчета по тях.
- Пране, силно напращено с материали от рода на брашно, вар, мляко на прах и др., трябва добре да се изтупа преди поставяне в машината. В противен случай, тези прахообразни вещества се натрупват по вътрешните части на машината и може да я повредят.

Спазване капацитета на прането

Максималният капацитет на зареждане зависи от типа на прането, степента на замърсяване и програмата за изпиране, която ползвате.

i Пералнята регулира количеството вода в зависимост от количеството пране, поставено в нея.

! Моля, следвайте инструкциите в "Таблицата за избор на програма". Качеството на изпиране намалява ако пералнята е препълнена.

Люк-врата

Люкът-врата се заключва когато програмата работи. Вратата може да бъде отворена известно време след като програмата свърши.

- Отворете вратата.
- Поставете прането отделно едно от друго в машината.
- Бутнете вратата докато щракне плътно на мястото си. Внимавайте прането да не бъде заципано от вратата.

Перилни препарати и омекотители

Чекмедже за перилен препарат

Чекмеджето за препарати на пералнята ви машина се състои от четири различни отделения: прах за основно пране; течен препарат за основно пране, течен омекотител и прах за предпране. Всеки един от тези препарати за пране се стича автоматично в съответния момент от перилната програма.

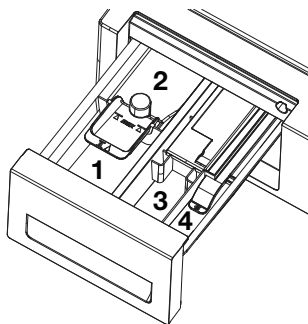
Не поставяйте препаратите за пране и омекотяване директно в барабана на пералнята. Винаги ползвайте само чекмеджето за препаратите.

Не затваряйте чекмеджето рязко след като поставите перилните препарати. Това може да предизвика ранно стичане на препарат, което да доведе до незадоволителни резултати при изпирането и фабрична повреда.

i Не отваряйте чекмеджето по време на перилната програма.

Отделенията за препарати на чекмеджето са посочени по-долу:

- 1) Ляво отделение с номер "II" (Отделение за основно пране с прах за пране или белина на прах/препарат за петна)
- 2) Ляво отделение с номер "II" **▲** (Отделение за основно пране с течен препарат за пране или течен препарат за петна)
- 3) Средно отделение с номер "I" (отделение за предпране с прах за пране, прахообразен препарат за петна или теча белина - течната белина се сипва или по време на предпрането или по време на първата стъпка на изплакване на перилната програма). Течната белина трябва да се добави ръчно докато машината вкарва вода.
- 4) Дясно отделение, означено със символ **❁** (отделение за течен омекотител)



(II) Отделение за основно пране

Преди да стартирате перилната програма, рсложете прах за пране в лявото отделение с номер "II". Използвайте предоставената от производителя мерителна чашка и следвайте указанията върху опаковката. Белина/препарат за петна на прах се слагат също в това отделение.

Сложете течния препарат за пране в отделението за основно пране с номер "II" **▲** преди да стартирате перилната програма. Течният препарат за петна трябва да се сипе в това отделение.

Сложете препоръчителното количество течен препарат за пране в лявото отделение, означено със символ "II" **▲** и разтворете до максималното ниво на напълване (макс. II **▲**) с топла вода.

Концентрираните препарати трябва да се разреждат с топла вода; в противен случай сифонът може да се задръсти след време.

Не препълвайте с препарат над максималното ниво на напълване; в противен случай излишното количество препарат ще попадне в прането без вода и може да остави петна по тях. В този случай трябва да напълните отделението отново. Не сипвайте препаратите директно в прането, тъй като това може да доведе до петна по дрехите.

Отделение за течен омекотител.

Сложете препоръчителното количество течен препарат за пране в лявото отделение, означено със символ **❁** и разтворете до максималното ниво на напълване (макс. II **❁**) с топла вода.

Концентрираните омекотители трябва да се разреждат с топла вода; в противен случай сифонът може да се задръсти след време.

Не препълвайте с омекотител над максималното ниво на напълване; в противен случай излишното количество омекотител ще се смеси с водата за пране и ще трябва да напълните отделението отново. Не сипвайте омекотителя директно в прането, тъй като това може да доведе до петна по дрехите.

Течният омекотител ще се поеме от машината автоматично в последната стъпка на перилната програма.

(I) Отделение за предпране

Поставете прахът за пране или прахообразният препарат за петна в средното отделение с номер "I".

В това отделение може да поставите и течна белина през време на вливане на вода в машината при препрането или първата стъпка на изплакването. Добавянето на течна белина докато машината влива вода, позволява белината да се разтвори преди да се влее при прането.

Ако използвате течна белина при перилната програма, трябва да изберете функция допълнително изплакване. Белината трябва да се отстрани от прането при изплакването; в противен случай може да предизвика сърбеж по кожата.

i Прочетете внимателно указанията за дозиране и етикета на дрехите преди да използвате течна белина върху тях.

Колосване

- Добавете течна или прахообразна кола или боя в отделението за омекотител, както е указано върху опаковката.

- Никога не използвайте омекотител и кола едновременно в един перилен цикъл.
- Почистете с влажна кърпа вътрешността на барабана след колосване.

Белини

Ако ще ползвате обикновена белина в машината, в препоръчваме да изберете програма с предпране и да сложите белината в началото на предпрането без да добавяте перилен препарат в отделението за предпране. Друг вариант е да изберете програма с допълнително изплакване и да добавите белината докато машината влива вода през чекмеджето за перилен препарат по време на първата стъпка за изплакване. Белината не бива да се смесва с перилен препарат. Тъй като белината може да предизвика раздразнение на кожата, използвайте малки количества (напр. 1/2 чаена чаша) и изплакнете обилно. Не слагайте белина директно в прането и не я ползвайте с цветно пране.

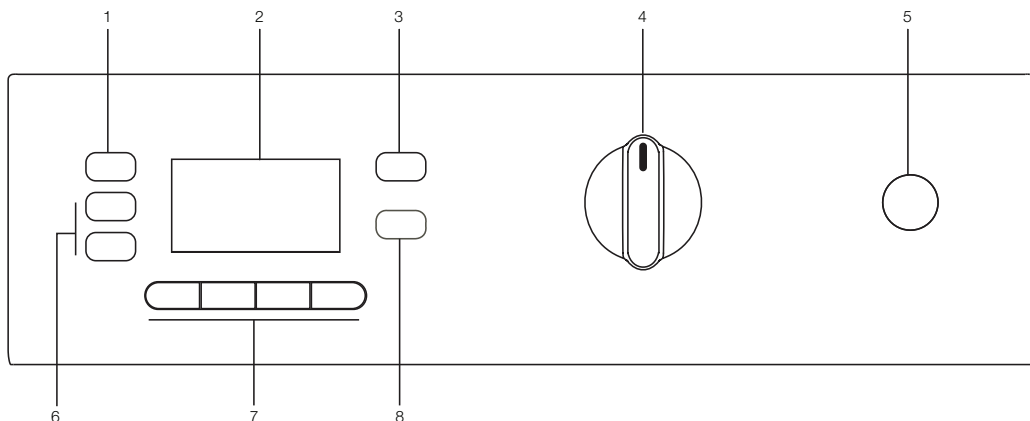
При ползване на белина на кислородна основа, следвайте указанията върху опаковката и изберете програма с ниска температура. Белината на кислородна основа може да се ползва заедно с препарат за пране. Ако обаче белината не е със същата плътност като препарат за пране, то тя трябва да се добави през отделение номер "II" веднага след като перилният препарат се разпени от водата.

Отстраняване на котлен камък

- При нужда използвайте само препарати за котлен камък, изработени специално за перални машини и винаги спазвайте инструкциите върху опаковката.

4 Избор на програма и работа с Вашия уред

Контролен панел

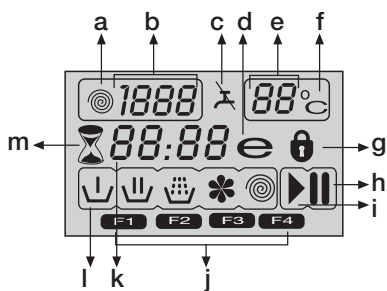


- 1 - Бутон за настройка на скоростта на центрофугиране
- 2 - Дисплей
- 3 - Бутон за настройка на температурата
- 4 - Селектор на програми

- 5 - Бутон Вкл./Изкл.
- 6 - Бутон за отлагане на старта (+/-)
- 7 - Бутони за допълнителни функции
- 8 - Бутон Старт/Пауза/Отказ

Символи на дисплея

- a - Символ за центрофуга
- б - Индикатор на скоростта на центрофугиране
- в - Символ за спряла вода (В зависимост от модела на машината)
- г - Символ за икономично пране
- д - Индикатор на температурата
- е - Символ за температурата
- ж - Символ за заключена врата
- з - Символ за режим на готовност
- и - Символ за старт
- к - Символи за допълнителни функции
- л - Индикатор на оставашото време и времето на отлагане на старта
- м - Символи за индикация на програмата (предпране/основно пране/изплакване/омекотител/центрофугиране)
- н - Символ за отлагане на старта



Включване на пералнята

Включете пералнята в контакта. Завъртете крана докрай. Проверете дали маркучите са плътно свързани. Поставете прането в пералната машина. Сложете перилен препарат и омекотител. Натиснете бутон "Вкл./ Изкл."

Избор на програма

Изберете подходящата програма от таблицата с програмите и температурите за пране според вида, количеството и степента на замърсяване на вешето пране.

Завъртете копчето за избор на програма до желаната от Вас програма за да изперете своето пране.

Появява се препоръчителната температура и скорост на центрофугиране за избраната програма. Натиснете бутона Старт/Пауза/Отказ за старт на програмата.

Основни програми

В зависимост от вида на текстилните тъкани, има няколко основни програми:

• Памучни материи

С тази програма можете да перете издръжливи дрехи. Прането ще бъде изпрано чрез активни перилни движения при по-дълъг перилен цикъл. Препоръчва се за памучното Ви пране (като спални чаршафи, калъфки за юргани и възглавници, хавли, долно бельо и др.)

• Синтетични тъкани

С тази програма може да перете по-неиздръжливи дрехи. Използват се по-внимателни перилни движения и по-кратък перилен цикъл, отколкото

в програмата за памучни тъкани. Препоръчва се за синтетични дрехи (като ризи, блузи, смесени синтетично-памучни дрехи и др.) За пране на пердетата и дантели се препоръчва да изберете програма "Синтетични тъкани 40", заедно с функцията за предпазване от намачкване. В отделението за предпране на чекмеджето не бива да се слага перилен препарат. В отделението за основно пране се слага по-малко перилен препарат тъй като рехава плетените тъкани (дантели) се пенят твърде много поради мрежестата си структура.

• Вълнени материи

С тази програма може да перете вълнени дрехи за машинно пране. Следвайте указанията за избор на температура, посочени върху етикетите на дрехите. Препоръчително е да ползвате специални перилни препарати за вълнени дрехи.

Допълнителни програми

Има няколко допълнителни програми за по-специални случаи.

i Бутоните за допълнителните функции може да варира в зависимост от модела на пералнята.

• Памук Еко

Можете да перете дрехите, които трябва да се перат с програми за памучни тъкани за по-дълъг период, което осигурява по-добри резултати при изпирането.

i Програма Памучни икономично консумира по-малко енергия, отколкото другите програми за памучни тъкани.

• Babycare

По-дългото нагряване на водата и допълнителният изплаквач цикъл осигуряват допълнителна чистота на прането. Препоръчва се за бебешки дрешки и дрехи, носени от алергични хора.

• Ръчно пране

С тази програма може да перете вълнени/деликатни дрехи, обозначени с етикет "Да не се пере в машина", при които се препоръчва пране на ръка. Програмата изпира прането с много леки движения, без да уврежда дрехите.

• Daily Express

Може да използвате тази програма за бързо изпиране на малко количество слабо замърсени памучни дрехи. Напр.: халати за баня, пухени завивки, спортни дрехи, ежедневни дрехи и др., които са използвани само веднъж.

• експрес 14

Може да използвате тази програма за бързо изпиране на малко количество слабо замърсени памучни дрехи. Напр.: халати за баня, пухени завивки, спортни дрехи, ежедневни дрехи и др., които са използвани само веднъж.

• Тъмно пране

Използвайте тази програма за да перете тъмно пране, или прането, което не искате да избелява. Тази програма пере с по-слаби механични движения и по-ниска температура. Препоръчваме употребата на течен препарат за пране или шампоан за вълна за тъмното пране.

• Mix

Може да ползвате тази програма, за да перете заедно памучни и синтетични тъкани. Няма нужда да ги разделяте.

• Ризи

Може да използвате тази програма за пране на ризи от памучни, синтетични и комбинирани материи.

• Олекотена завивка

С тази програма може да перете подходящи за машинно пране завивки.

i Не бива да зареждате повече от една завивка за двама души.

Всяка от тези основни програми се състои от пълен процес на изпиране, включващ пране, изплакване и, ако е необходимо, цикли на центрофугиране.

i При избора на програма сортирайте прането според вида на тъканите, цвета, степента на замърсяване и допустимата температура на пране.

i Винаги избирайте възможно най-ниската необходима температура. По-високата температура означава по-висока консумация на електроенергия.

i За повече информация относно програмите виж "Таблица за избор на програма"

• Освежаване

Може да използвате програма "Освежаване" за премахване на неприятни миризми от дрехи, които са обличани еднократно и не са нито зацапани, нито ликьосани.

• Eco Clean (Екологично чисто)

Може да използвате тази екообразна програма програма, за изпиране на леко замърсено пране без петна (макс 3.5кг) бързо и икономично.

Препоръчва се използване на течни или гелообразни перилни препарати.

• Почистване на барабана

Препоръчва се периодично (напр. на всеки 1-2 месеца) да използвате тази програма за самопочистване на пералната ви машина. Тази програма задължително се ползва без дрехи в пералнята. Уверете се, че машината е празна преди да стартирате програмата. За по-ефективно почистване може да пуснете тази програма с добавяне на препарат срещу котлен камък в отделение II на чекмеджето за препарати. След приключване на програмата, оставете вратата откритата за да може вътрешността на машината да изсъхне.

i Тази програма не е предназначена за пране на дрехи. Това е програма предназначена за поддръжка на машината.

i Никога не използвайте тази програма с пълна пералня.

i При стартиране на тази програма, сензорите в машината я спират автоматично ако барабанът не е празен.

Символ за икономично пране

Показва програми с по-ниска температура на пране, при които се пести електричество.

Символът за икономично пране не свети при програмите "Интензивно пране" и "Хигиена", тъй като те са дълги и ползват по-високи температури за да осигурят нужната чистота.

Специални програми

За специфични приложения може да изберете всяка от следните програми:

• Изплакване

Тази програма се ползва, когато искате да изплакнете или колосате отделно.

• Центрофугиране + Помпа

При тази програма се центрофугира с допустимия според фабричната настройка максимум обороти в минута след изпомпване на водата от машината.

i За деликатно пране изберете по-ниска скорост на центрофугиране.

Избор на температура

Когато избирате нова програма, препоръчителната за нея температура се показва върху температурния индикатор (76).

За да смените температурата, натиснете бутон "Температура". Температурата намалява с по 10°.

Студено пране се показва със символ "-"

90°C	Нормално замърсени, бели памучни тъкани и спално бельо. (Напр.: покривки за кухненски и холни маси, кърпи, спални чаршафи)
60°C	Нормално замърсени цветни ленени материи, които не пускат боя, памучни и синтетични дрехи. ризи, нощици, пижами) и леко замърсени бели ленени дрехи (Напр.: бельо)
40°C 30°C Студено	Смесено пране, включващо синтетични и вълнени тъкани, както и деликатно пране.

Избор на скорост на центрофугиране

При избора на нова програма индикаторът за скорост на центрофугиране показва максималната скорост на центрофугиране за програмата.

За да намалите скоростта на центрофугиране, натиснете бутон "Центрофугиране" Скоростта на центрофугиране постепенно намалява. След това се появяват опциите задържане на изплакването и без центрофугиране.

Задържане на изплакването се означава със символа "L", а без центрофугиране със символа "L".

Ако не искате да извадите дрехите веднага след приключване на програмата, може да използвате функцията "Задържане на изплакването", за да предпазите дрехите от измачкване след центрофугирането им. При тази функция дрехите седят във водата от последното изплакване. Ако искате да центрофугирате дрехите след ползване на функцията за задържане на изплакването:

- Настройте скоростта на центрофугиране
 - Натиснете бутона Старт/Пауза/Отказ.
- Програмата продължава. Пералната източва водата и центрофугира прането.

Може да използвате функцията без центрофугиране, ако искате само да източите водата, без да центрофугирате в края на програмата.

Таблица с програми и консумация

BG						допълнителна функция						Избираема настройка на температурата °C
Програма (°C)	Максимално натоварване (кг)	Консумация на вода (л)	Консумация на енергия (кWh)	Макс.скорост***	Предпране	Бързо изпиране	Допълнително изплакване	Предпазване от намачкване	Задържане на изплакването	Отстраняване на косми от домашни любимци		
Памучни материи	90	7	74	2.30	1600	•	•	•	•	•	90-Студена вода	
Памучни материи	60	7	72	1.50	1600	•	•	•	•	•	90-Студена вода	
Памучни материи	40	7	72	0.85	1600	•	•	•	•	•	90-Студена вода	
Babycare	90	7	66	2.70	1600			*	•		90-30	
Памук Еко	60**	7	52	1.19	1600	•	•	•	•	•	60-Студена вода	
Памук Еко	40	7	64	0.72	1600	•	•	•	•	•	60-Студена вода	
Синтетични тъкани	60	3	45	1.00	1000	•	•	•	•	•	60-Студена вода	
Синтетични тъкани	40	3	45	0.45	1000	•	•	•	•	•	60-Студена вода	
Eco Clean	20	3.5	39	0.16	1600					•	20	
Mix	40	3.5	45	0.55	1000	•	•	•	•	•	40-Студена вода	
Ризи	40	3.5	45	0.55	800	•	•	•	*	•	60-Студена вода	
експрес 14	30	2	35	0.10	1400			•	•		30-Студена вода	
Daily Express	90	7	60	2.00	1400			•	•		90-Студена вода	
Daily Express	60	7	60	1.15	1400			•	•		90-Студена вода	
Daily Express	30	7	70	0.20	1400			•	•		90-Студена вода	
Вълнени материи	40	1.5	56	0.30	1000			•	•		40-Студена вода	
Ръчно пране	30	1	40	0.25	1000						30-Студена вода	
Тъмно пране	40	3	82	0.55	1000			*	•		40-Студена вода	
Почистване на барабана	70	-	100	1.70	800			*			70	
Освежаване	-	2	20	0.03	1000				•		-	

• : Избираеми

* : Автоматично избирани, не могат да се отказват.

** : Програма за енергийно етикетирание (EN 60456)

*** : Ако максималната скорост на машината ви е по-ниска, може да направите избор до максималната скорост.

- : Вижте програмното описание за максималното количество пране.



Допълнителните функции в таблицата варират в зависимост от модела на пералнята.



Консумацията на енергия и вода и продължителността на програмата са различни от посочените в таблицата, в зависимост от налягането, твърдостта и температурата на водата, външната температура, вида и количеството на прането, избора на допълнителни функции и промените в електрическото напрежение.



Продължителността на програмата ще се покаже на дисплея на машината според направения от вас избор.

Допълнителни функции

Избор на допълнителни функции

Ако изберете допълнителна функция, която е несъвместима с избрана преди това функция, пералнята отказва първата функция и само втората избрана остава активна.

Напр.: Ако изберете първо Предпране, а след това Бързо изпиране, функцията Предпране ще бъде отменена и функцията Бързо изпиране ще остане активна.

Допълнителните функции, които са несъвместими с избраната програма, не могат да бъдат избрани. (виж "Таблица за избор на програма")

• Предпране

При избор на тази функция, индикаторът на дисплея показва символ "F1".

- Предпрането е подходящо само за силно замърсено пране. Без предпране се пести ток, вода, перилен препарат и време.
- Предпране без перилен препарат се препоръчва за дантели и пердетата.

• Бързо изпиране

Тази функция скъсява времето на пране. На дисплея се показва символ "F2".

- Ползвайте тази функция за малки количества или слабо замърсено пгане.

• Допълнително изплакване

При избора на тази програма, изпирането и изплакването се осъществява с голямо количество вода. На дисплея се показва символ "F3".

• Предпазване от намачкване

При тази функция се намаляват движенията на барабана и се ограничават скоростта на центрофугиране, за да се избегне намачкване на тъканите. Освен това, прането се извършва с повече вода. На дисплея се показва символ "F4".

- Използвайте тази функция за деликатно пране, което се мачка лесно.



Ако изберете тази допълнителна функция, пералнята трябва да се зареди с половината от максимума пране, посочен в таблицата с програмите.

Дисплей на времето

Този дисплей отчита оставащото време от програмата по време на пране. Времето се показва в часове и минути като "01:30".

Отлагане на старта

С помощта на функцията за отлагане на старта може да отложите започването на програма до 24 часа. Настройката може да се направи през 30-минутен интервал.

Отворете вратата, поставете прането вътре и напълнете чекмеджето за перилен препарат. Настройте програмата за пране, температурата, скоростта на центрофугиране и ако е необходимо изберете допълнителни функции. Натиснете копчетата "+" и "-" на "Отлагане на старта" за да настроите желаното отлагане. Символа за отлагане на старта ще свети. Натиснете бутона Старт/Пауза/Отказ. След това часовникът ще започне да отчита времето. Символа за отлагане на старта ще свети. Символа за старт ще свети.

Знакът ":" в средата на времето посочено на дисплея ще започне да премигва.

- През времето на отлагане на старта може да добавяте или вадите пране. Когато времето

за отлагане на старта изтече, символът за отлагане на старта изгасва и пералнята започва да пере на зададената програма.

Промяна на времето на отлагане на старта

Ако през времето на обратно броене желаете да промените часа:

Натиснете бутона Старт/Пауза/Отказ. ":" в средата на екрана ще спре да премигва. Символа за готовност ще свети. Символа за отлагане на старта ще свети. Символът Старт ще изгасне. Натиснете бутоните за "Отлагане на старта" "+" или "-" за да настроите желаното отлагане. Натиснете бутона Старт/Пауза/Отказ. Символа за отлагане на старта ще свети. Символът Готовност ще изгасне. Символа за старт ще свети. А ":" в средата на времето посочено на дисплея ще започне да премигва.

Отказ от отлагането на старта

Ако искате да спрете обратно броене и да започнете програмата веднага:

Натиснете бутона Старт/Пауза/Отказ. Знакът ":" в средата на времето посочено на дисплея ще спре да премигва. Символът Старт ще изгасне. Символът за готовност и за отлагане на старта ще светят. Натиснете бутона за отлагане на старта "-" за да намалите желаното време на отлагане. На дисплея се показва забавяне от 30 минути. Натиснете бутона Старт/Пауза/Отказ за старт на програмата.

Стартиране на програма

Натиснете бутона Старт/Пауза/Отказ за старт на програмата. Показва се символа за старт, който показва, че програмата е започнала. Вратата се заключва и символът за заключена врата ще мига. Символът на съответната фаза (предпране, основно пране, омекотител и центрофугиране), от която е започната програмата, светва.

Промяна на настройките след започване на програма

Избраните скорост на центрофугиране и температура изчезват от дисплея. Показва се пгазно пгаозгче.

Когато копчето за избор на програма се завърти до съответното положение, данните за температурата и оборотите в минута се показва отново.

Превключване на пералнята към режим на готовност

При натискане на бутон "Старт/Пауза/Отказ" пералнята моментално минава в режим на готовност. Символът готовност, който показва че пералнята е в режим на готовност светва и символът старт, който показва, че програмата е започнала и все още продължава.

Избор или отказ от допълнителни функции когато пералнята е в режим пауза

Допълнителните функции може да се откажат или изберат в съответствие с фазата, в която се намира програмата.

Добавяне/махане на пране в режим пауза

Вратата може да се отвори, ако нивото на водата позволява това. Символът за заключване на вратата ще свети докато вратата не се отключи. Символът ще изгасне веднага щом вратата може да се отвори. Може да добавяте/вадите пране, след като отворите вратата.

Блокиране на вратата

Символът за блокирана врата светва когато

вратата е блокирана. Символът премигва до момента, в който вратата може да бъде отворена. Не насилвайте вратата през това време. Символът ще изгасне веднага щом вратата може да се отвори. Вратата може да бъде отворена когато лампичката угасне.

Заклучващ механизъм за защита от деца

Може да предпазите пералнята от децата, с помощта на механизма за защита от деца. При това положение не може да се правят промени в настройките на работещата програма.

i Пералнята може да се включи или изключи с бутона Вкл/Изкл докато е активирана защитата от деца. В този случай пералнята ще започне отново програмата с активирана защита от деца.

Пералнята се превключва в режим на защита от деца с натискане на 2-рата и 4-тата допълнителни функции за 3 секунди. На екрана се появява надпис "C:op" (Активирана защита от деца).

Същият символ се появява всеки път, когато бъде натиснато някое копче, докато защитата от деца е активна.

За деактивиране на защитата от деца натиснете 2-рата и 4-тата допълнителни функции за 3 секунди.

На екрана се появява "C:OFF" (Деактивирана защита от деца).

Прекратяване на програмата с отказ

Бутон "Старт/Пауза/Отказ" (Фигура 2-10) се натиска за 3 секунди за да се откаже програмата. Символът за старт (Фиг.3-7к) премигва по време на отказа. След отказа, символът на съответната фаза на пране, през която е направен отказа, остава светнат и на екрана се появява надпис "End".

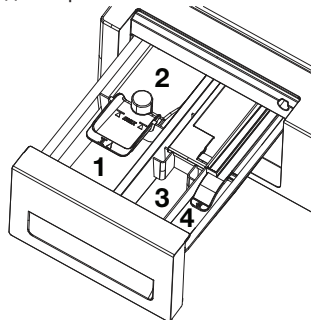
Край на програмата

Когато програмата свърши, символите на съответните фази остават светнати, а допълнителните функции, избрани в началото на програмата, остават избрани. На екрана се появява надпис "End".

5 Поддръжка и почистване

Чекмедже за перилен препарат

Почистете чекмеджето от остатъците от пѐха за пра̀не. За да направите това:



1. Може да извадите чекмеджето за перилния препарат като издърпате силно към себе си.

i Сифонът трябва да се почисти ако в отделението за омекотител се събира повече от нормалното количество вода

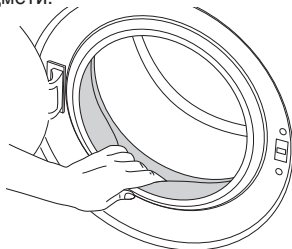
препарат и омекотител.

2. Измивайте разпределителното чекмедже и сифона в леген с много хладка вода. Сложете предпазни ръкавици или използвайте подходяща четка за да избегнете допира с утайките в чекмеджето при почистването.
3. Проверете чекмеджето в гнездото му след почистване. Пѐговеѐте дали сифонът е на пѐравилното си място.

Люк-вратата и барабанът

След всяко пране:

- Проверете дали в барабана няма изпаднали предмети.



- Отпушете дупката в гуменото уплътнение с помощта на клечка за зѐби ако е запушена.

i Металните чужди тела в машината може да доведат до петна от рѐжда. В такъв случай: Почистете барабана с почистващ препарат за нерѐждаема стомана. Никога не използвайте стоманена вѐлна или стоманена тел.

Корпус и контролен панел

При необходимост:

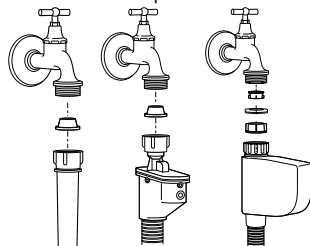
- Забършете вътрешните панели на вашата машина със сапунена вода или неабразивен почистващ препарат. Подсушете с мек парцал.
- Използвайте само мек влажен парцал за почистване на контролния панел.



Никога не използвайте гѐба или абразивен материал. Те ще повредят боядисаните и пластмасовите части.

Филтри за входящата вода

В края на всеки отвор за входяща вода отзад на пералнята и в крайника на всеки входящ маркуч, който се свързва с крана, има филтър. Тези филтри пречат на чужди тела и замърсители вѐв водата да влизат в пералнята. Филтрите трябва да се почистват когато се замърсят.



- Затворете крановете.
- Свалете гайките на маркучите за входяща вода и почистете повърхността на филтрите в отворите за входяща вода с подходяща четка.
- Ако филтрите са много мръсни, ги извадете с щипци и ги почистете.

- Извадете филтрите от правите накрайници на маркучите за входяща вода, заедно с уплътнителите, и ги почистете цялостно под течаща вода.
- Поставете внимателно уплътнителите и филтрите обратно по местата им и затегнете гайките на маркуча с ръка.

Източване на изостанала вода и почистване на филтъра на помпата.

Филтриращата система на машината ви предпазва твърдите предмети като копчета, монети и конци да се заклещат в перката на помпата при източването на водата от пералнята. По този начин се постига добро източване на водата и се удължава животът на помпата.


- Ако пералнята Ви не изпомпва водата, възможно е филтърът на помпата да е задръстен. Добре е да го почистите всеки 2 години, както и всеки път когато се задръсти. За да се почисти филтърът на помпата, водата трябва да се източи.

Водата от пералнята е желателно да се източи напълно и в следните случаи:

- преди транспортиране на пералнята (например при пренасяне в нов дом)
- когато има опасност от замръзване


За да почистите мръсния филтър и да източите водата:

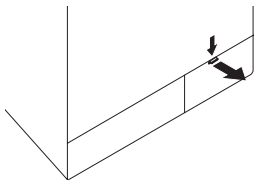
1- Извадете щепсела от контакта за да прекъснете захранването с електричество.

 Водата в машината може да е загрята до 90°C. Филтърът трябва да се почисти само след като водата във вътрешността се охлади достатъчно за да се избегне опасност от изгаряне.


2- Отворете капачката на филтъра. Тази капачка се състои от една или две части, в зависимост от модела на пералнята Ви машина.

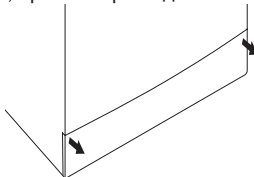
Ако се състои от две части, натиснете ухото на капачката на филтъра надолу и издърпайте частта към себе си.

 Ако уредът ви е вграден, тогава няма капак на филтъра.



Ако се състои от една част, я хванете от двете страни и издърпайте навън.

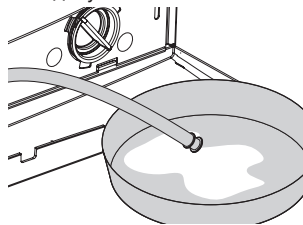
 Може да свалите капака на филтъра като леко натиснете долния капак надолу с отверка, през отвора над капака на филтъра.



3- Някои наши модели съдържат допълнителен

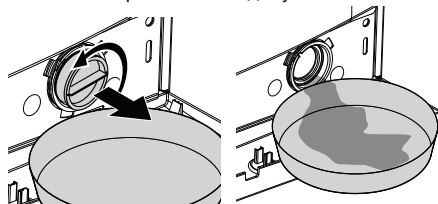
маркуч за източване. Други обаче не съдържат такъв.

Ако Вашата пералня съдържа такъв допълнителен маркуч, направете следното, както е посочено в картинката по-долу:



- Издърпайте отводния маркуч на помпата от гнездото му.
- Поставете голям съд в края на маркуча. Източете водата в съда като издърпате тапата в края на маркуча. Ако количеството на водата, която се източва, се окаже по-голяма от съда, поставете тапата обратно, излейте водата и след това продължете с източването.
- След като свършите с източването, поставете тапата отново в края на маркуча и го наместете обратно.

Ако Вашата пералня не съдържа такъв допълнителен маркуч, направете следното, както е посочено в картинката по-долу:



- Поставете голям съд пред филтъра за да може водата в него да се източи в съда.
- Разхлабете филтъра на помпата (обратно на часовниковата стрелка) докато водата от него започне да изтича навън. Насочете изтичащата вода към съда, който сте поставили пред филтъра. Избършете с парцал ако има разляна вода.
- Когато водата се източи, завъртете филтъра на помпата докато се освободи напълно и го извадете.
- Изчистете всякакви отлагания по вътрешността на филтъра, както и влакната около перката, ако има такива.
- Ако пералнята Ви е със водно-струйна функция, наместете старателно филтъра в гнездото му в помпата. Никога не насилвайте филтъра при поставянето му в гнездото. Наместете филтъра добре; в противен случай може да се получи изтичане на вода през капачката му.

4- Затворете капачката на филтъра.

Капачката, състояща се от две части, се затваря чрез натискане на ушенцето върху нея.

Капачката, състояща се от една част, се затваря като се наместят зъбците отдолу по местата им и капачката се натисне отгоре.

6 Възможни решения на възникнали проблеми

Причина	Обяснение/Решение
Не може да се избере или стартира програмата	
<ul style="list-style-type: none"> Пералнята може да е преминала в режим на самозащита поради възникнал външен проблем (в електрическото напрежение, водното налягане и т.н.). 	<ul style="list-style-type: none"> Стартирайте машината отново като натиснете бутона Старт/Пауза/Отказ за 3 секунди. (виж “Отказ на програмата”)
Има изтичане на вода отдолу на машината.	
<ul style="list-style-type: none"> Възможно е да е възникнал проблем с маркучите или филтъра на помпата. 	<ul style="list-style-type: none"> Уверете се, че уплътнителите на маркучите за входяща вода са добре закрепени. Закрепете плътно маркуча за изходяща вода към тръбата. Уверете се, че филтърът на помпата е напълно затворен.
Пералнята спира малко след започване на програмата.	
<ul style="list-style-type: none"> Пералнята може временно да прекъсне работа по причина на ниско напрежение. 	<ul style="list-style-type: none"> Пералнята ще продължи работата си когато електрическото напрежение достигне отново нормалното си ниво.
Пералнята непрекъснато се върти. Оставащото време не бива отчитано. (При модели с дисплей)	
<ul style="list-style-type: none"> Възможно е да има непропорционалност в тежестта на прането в машината. 	<ul style="list-style-type: none"> Автоматичната система за коригиране на центрофугирането се е активирала в следствие на неравномерното разпределение на прането в барабана. Прането в барабана може да се събрало на топка (например струпано в чанта). То трябва да се раздели и пусне отново. Центрофугирането спира в случай, че прането не е равномерно разпределено в барабана за да предпази пералнята и заобикалящите я предмети от повреда.
Пералнята непрекъснато пере. Оставащото време не бива отчитано. (При модели с дисплей)	
<ul style="list-style-type: none"> В случай на прекъсване в отчитането на времето при захранването с вода: Часовникът няма да отчита времето докато пералнята не се напълни с необходимото количество вода. 	<ul style="list-style-type: none"> Пералнята изчаква да се напълни с достатъчно количество вода за да се избегне недоизпирание в следствие на липса на вода. След това часовникът започва да отчита времето.
<ul style="list-style-type: none"> В случай на прекъсване в отчитането на времето в момента на загряване на водата: Времето не бива отчитано докато не се достигне избраната в програмата температура на водата. 	
<ul style="list-style-type: none"> В случай на прекъсване в отчитането на времето по време на центрофугиране: Възможно е да има непропорционалност в тежестта на прането в машината. 	<ul style="list-style-type: none"> Автоматичната система за коригиране на центрофугирането се е активирала в следствие на неравномерното разпределение на прането в барабана. Прането в барабана може да се събрало на топка (например струпано в чанта). То трябва да се раздели и пусне отново. Центрофугирането спира в случай, че прането не е равномерно разпределено в барабана за да предпази пералнята и заобикалящите я предмети от повреда.
Изтича ли пяна над чекмеджето за перилен препарат?	
<ul style="list-style-type: none"> Използван е твърде много перилен препарат. 	<ul style="list-style-type: none"> Смесете 1 с.л. омокотител с ½ литър вода и изсипете в главното отделение на чекмеджето за перилен препарат.

7 Спецификация

Модели	WMI 71241
Максимално количество сухо пране (кг)	7
Височина (см)	84
Ширина (см)	60
Дълбочина (см)	54
Нето тегло (±4 кг)	69
Електрозахранване (В/ Хц)	230 V / 50Hz
Общо ток (А)	10
Обща мощност (Вт)	2200
Центрофуга (макс. обороти/мин)	1200

Спецификацията на уреда може да претърпи промени без предупреждение с цел подобряване качеството на продукта. Илюстрациите в това ръководство са схематични и може да не съвпадат точно с тези на вашата перална машина.

Стойностите, означени върху табелката с данни на пералната машина или в придружителната документация към нея, са получени в лабораторни условия в съответствие със съответните стандарти. Тези стойности може да варират в зависимост от условията на експлоатация и съхранение на уреда.



Този продукт носи символа за разделно събиране на отпадъчно електрическо и електронно оборудване (WEEE).

Това означава, че при рециклиране или разглобяване продуктът трябва да се третира съобразно Директива 2002/96/ЕС с цел минимални последствия за околната среда. За повече информация се свържете с местните или регионалните власти.

Електронните продукти, които не са включени в разделното събиране на отпадъци, са потенциално опасни за околната среда и здравето поради наличието на опасни вещества.

Тъмно пране	Тъмно пране	Синтетични тъкани	Памучни матери	Предпране	Основно пране	Изплакване	Пране	Центрофугиране	Деликатни тъкани	Отстраняване на косми от домашни любимци
Изеждане	Предпазване от намачкване	Юрган	Заклучващ механизъм за защита от деца	Ръчно пране	Бебешки дрехи	Еко памук	Вълнени тъкани	експрес 14 Супер бърз експрес	Ежедневни	
Ежедневни експрес	Задържане на изплакването	Старт/П ауза	Без центрофугиране	Бързо изпиране	Завършено	Студена вода	Температура	Почистване на барабана	Долни дрехи	
Смесени 40	Супер 40	Допълнителни о изплакване	Освежаване	Ризи	Дънки	Спортно облекло	Отлагане на старта	Интензивно старта	Fasion care	