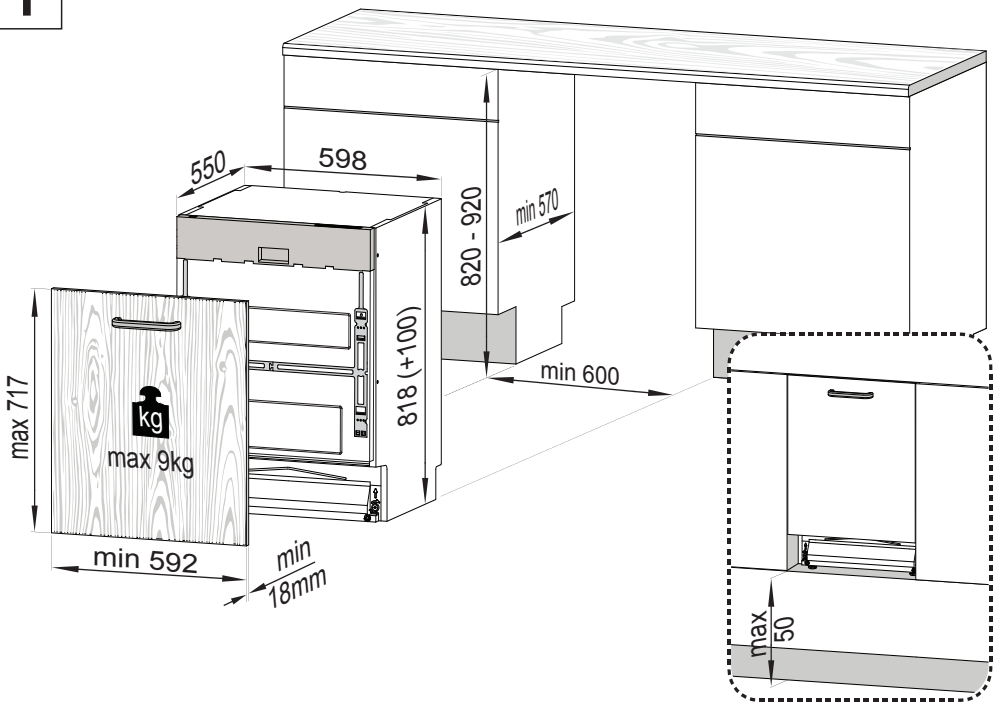
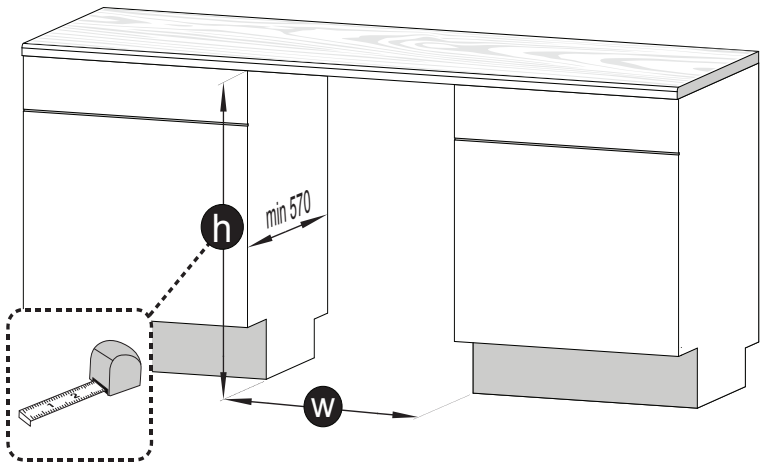


a) 	b) 	c) 	d) Ø 4 x 36mm
e) Ø 4 x 43mm	f) Ø 3.5 x 14mm	g) (+50mm)	

1



2



$h = 870 - 920$

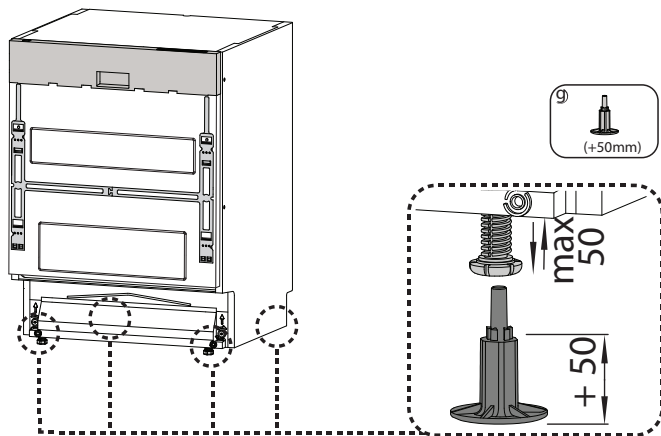
3

$h = 820 - 870$

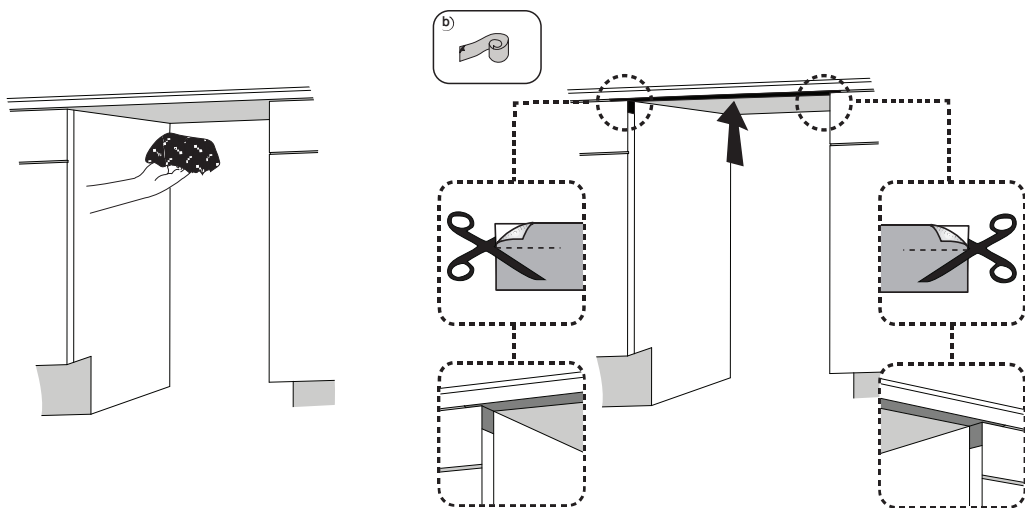
4



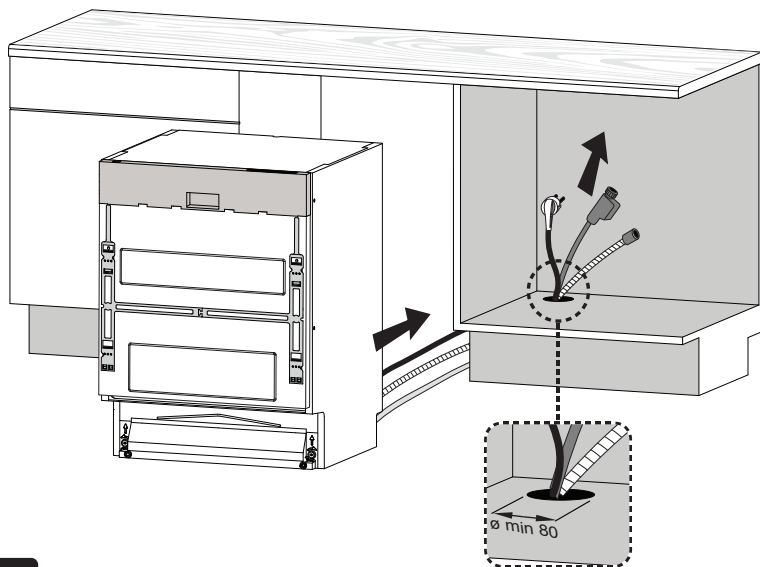
3



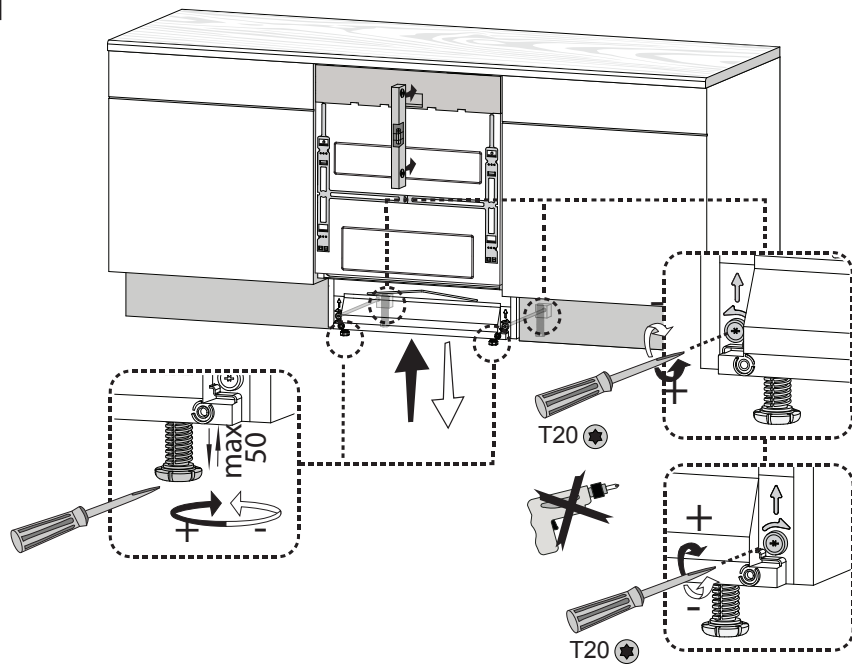
4



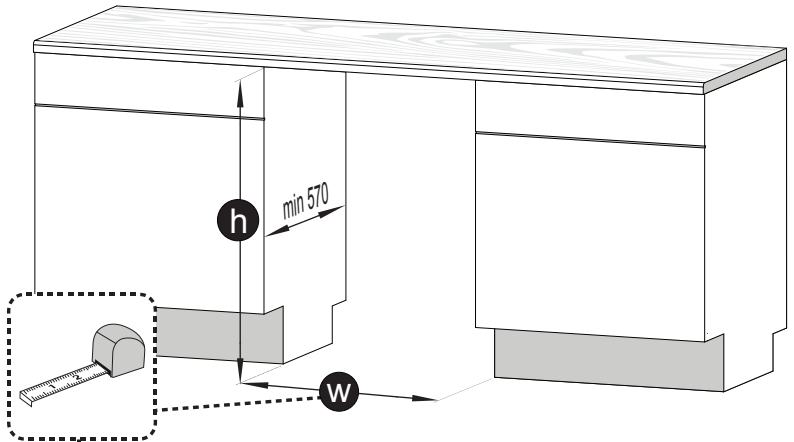
5



6



7



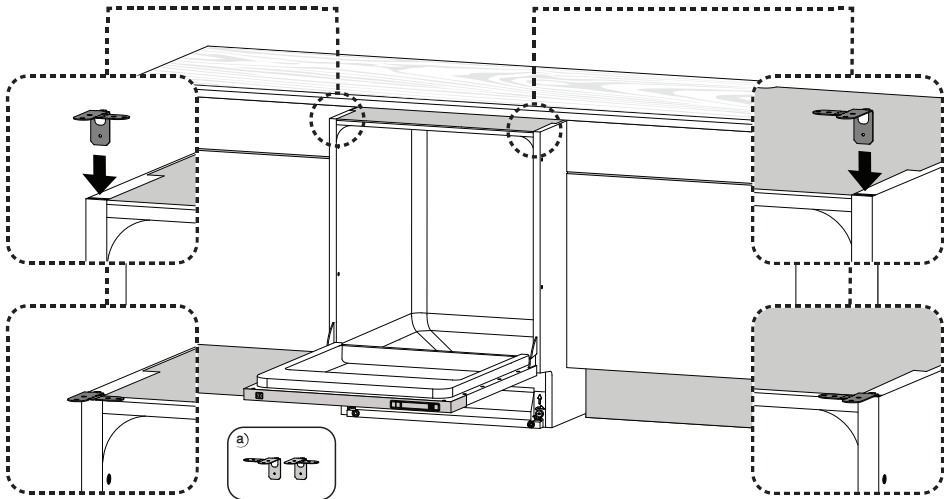
$w > 610$

8

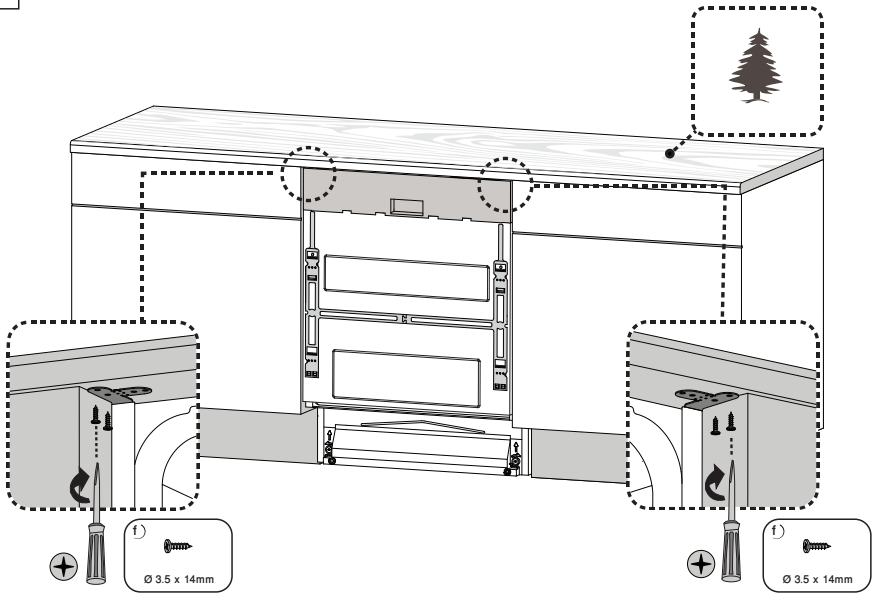
$w = 600 - 610$

10

8

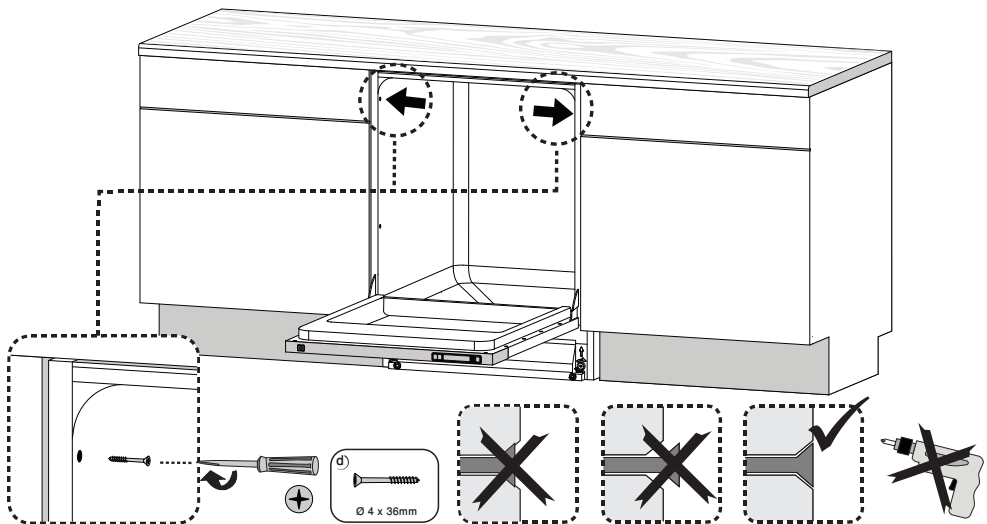


9

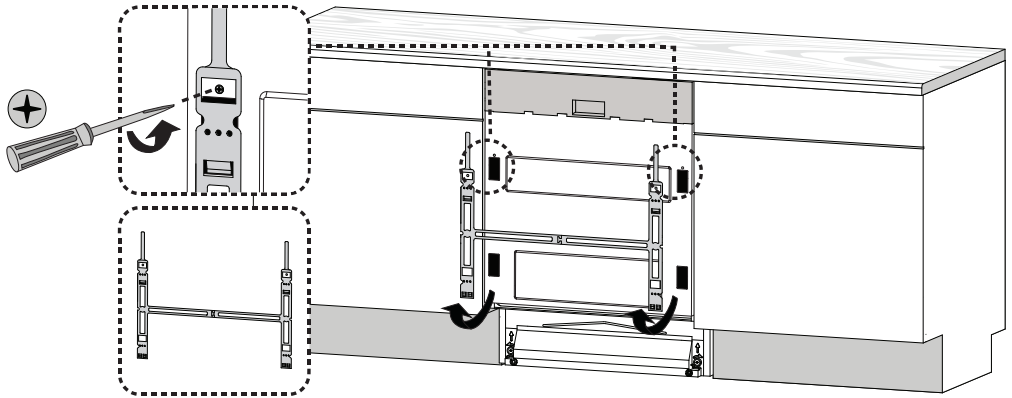


11

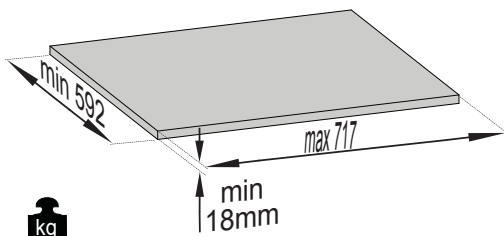
10



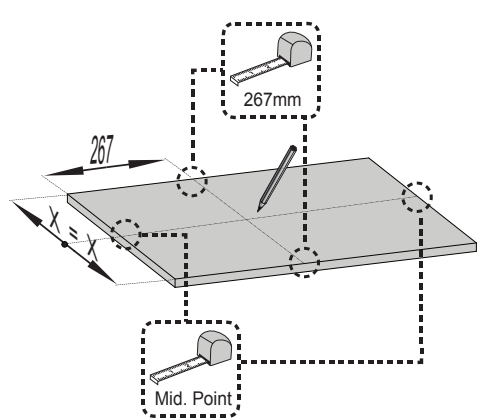
11



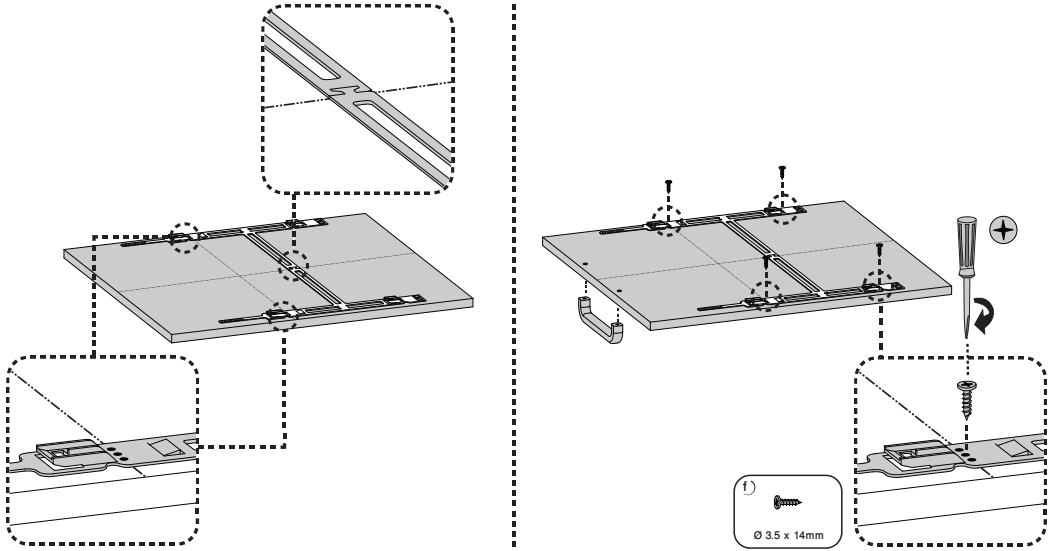
12



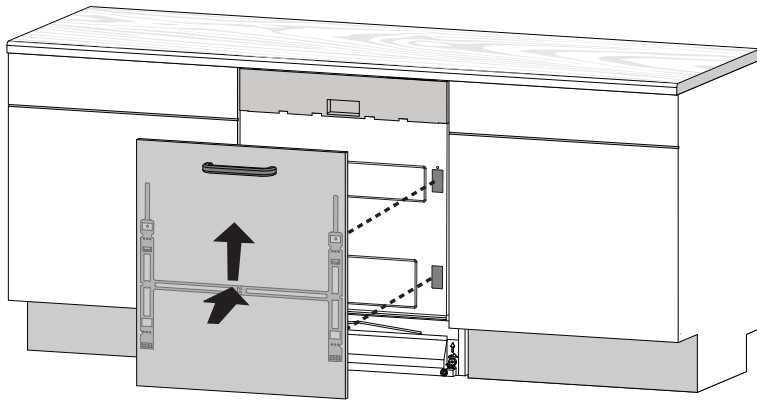
kg
Max 9kg



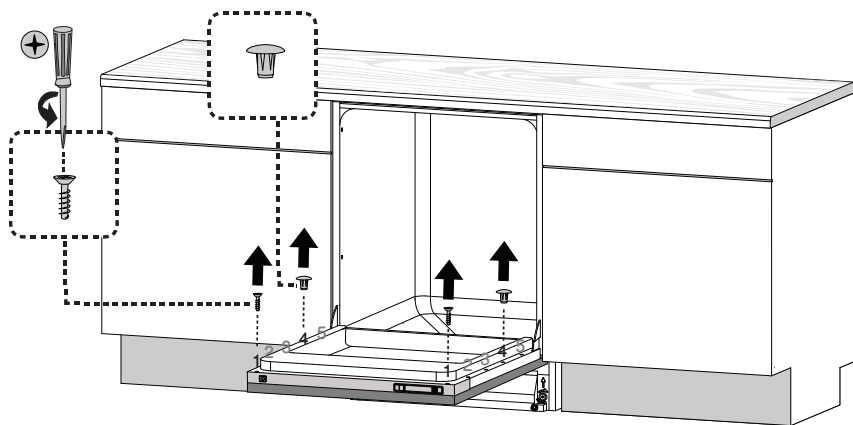
13



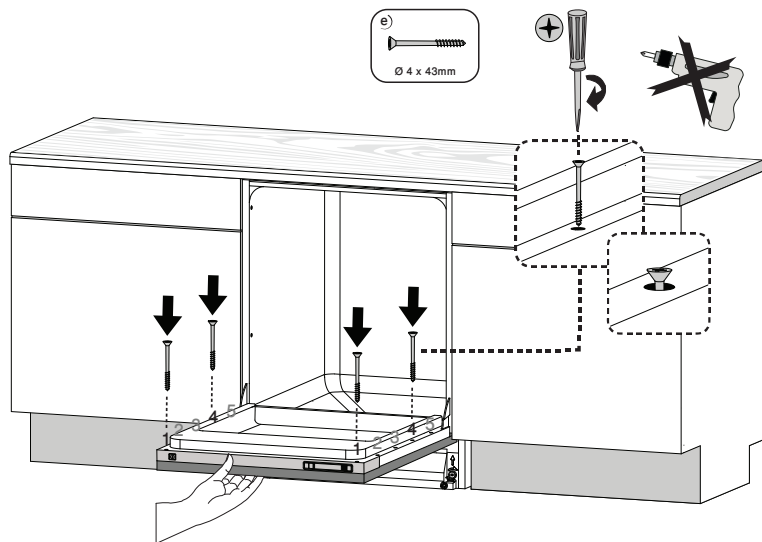
14



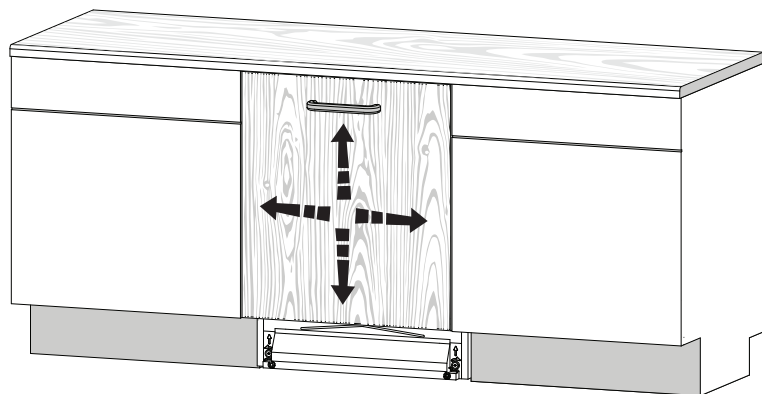
15



16



17



18

